

US00D493911S1

(12) **United States Design Patent**
Somma et al.

(10) **Patent No.:** **US D493,911 S**

(45) **Date of Patent:** **** Aug. 3, 2004**

(54) **CIGAR**

(75) Inventors: **Jerry A. Somma**, Tequesta, FL (US);
William Fagnano, Jupiter, FL (US)

(73) Assignee: **The Taviano Company, Inc.**, Tequesta,
FL (US)

(**) Term: **14 Years**

(21) Appl. No.: **29/187,461**

(22) Filed: **Aug. 1, 2003**

(51) **LOC (7) Cl.** **27-01**

(52) **U.S. Cl.** **D27/101**

(58) **Field of Search** D27/100, 101;
131/360, 364; D19/49; 426/576

(56) **References Cited**

U.S. PATENT DOCUMENTS

251,340 A * 12/1881 Ginter 131/364
428,502 A * 5/1890 Maggi 426/576
582,265 A * 5/1897 Campbell 131/360

D132,773 S * 6/1942 Saulsbury D19/49
D405,219 S * 2/1999 Dal Monte D27/101
D405,220 S * 2/1999 Dal Monte D27/101

* cited by examiner

Primary Examiner—Jennifer Rivard

(74) *Attorney, Agent, or Firm*—Akerman Senterfitt

(57) **CLAIM**

The ornamental design for a cigar, substantially as shown and described.

DESCRIPTION

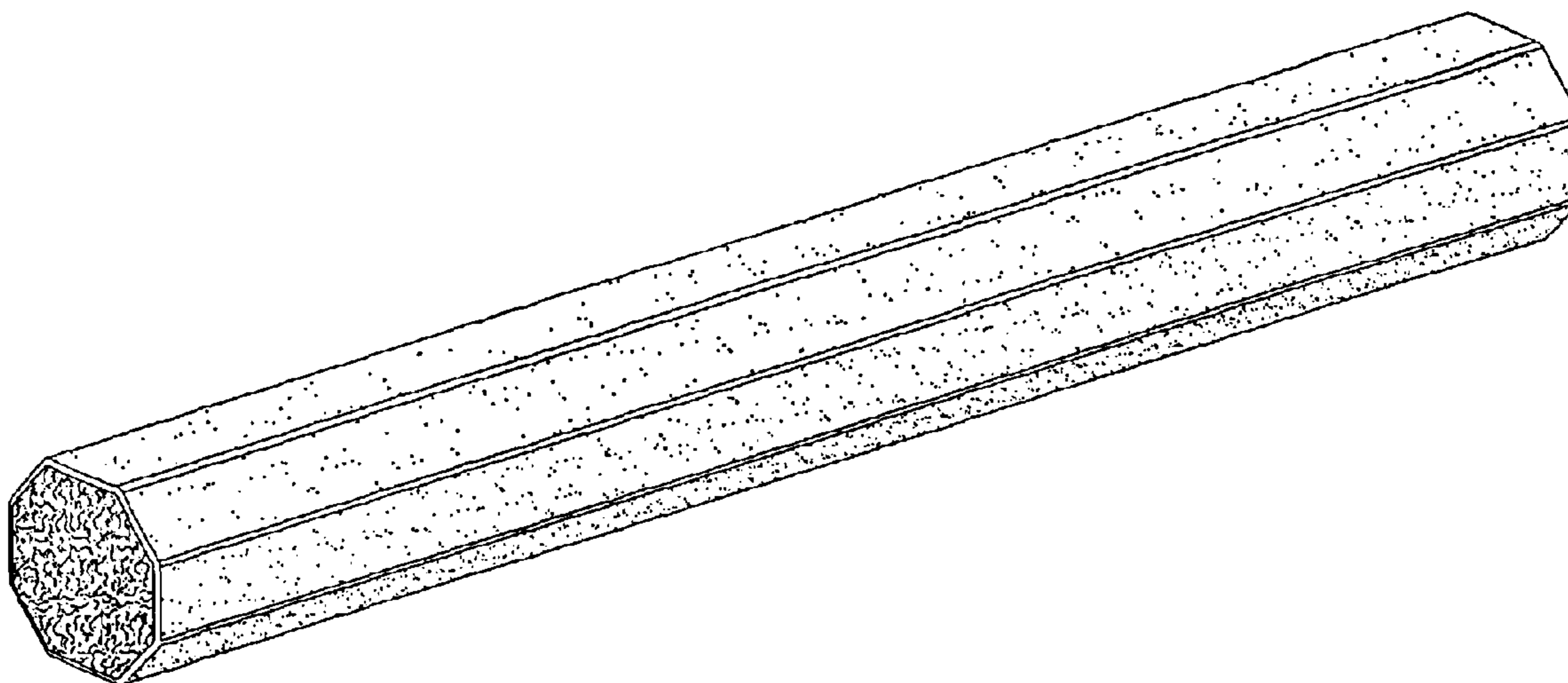
FIG. 1 is a perspective view taken from front and right of a cigar having a design according to our invention.

FIG. 2 is a right side elevational view of the cigar as shown in FIG. 1, the left elevational view and the top and bottom plan views being the same in view of the axial symmetry of the cigar.

FIG. 3 is a front plan view of the cigar as shown in FIG. 1; and,

FIG. 4 is a rear plan view of the cigar as shown in FIG. 1.

1 Claim, 1 Drawing Sheet



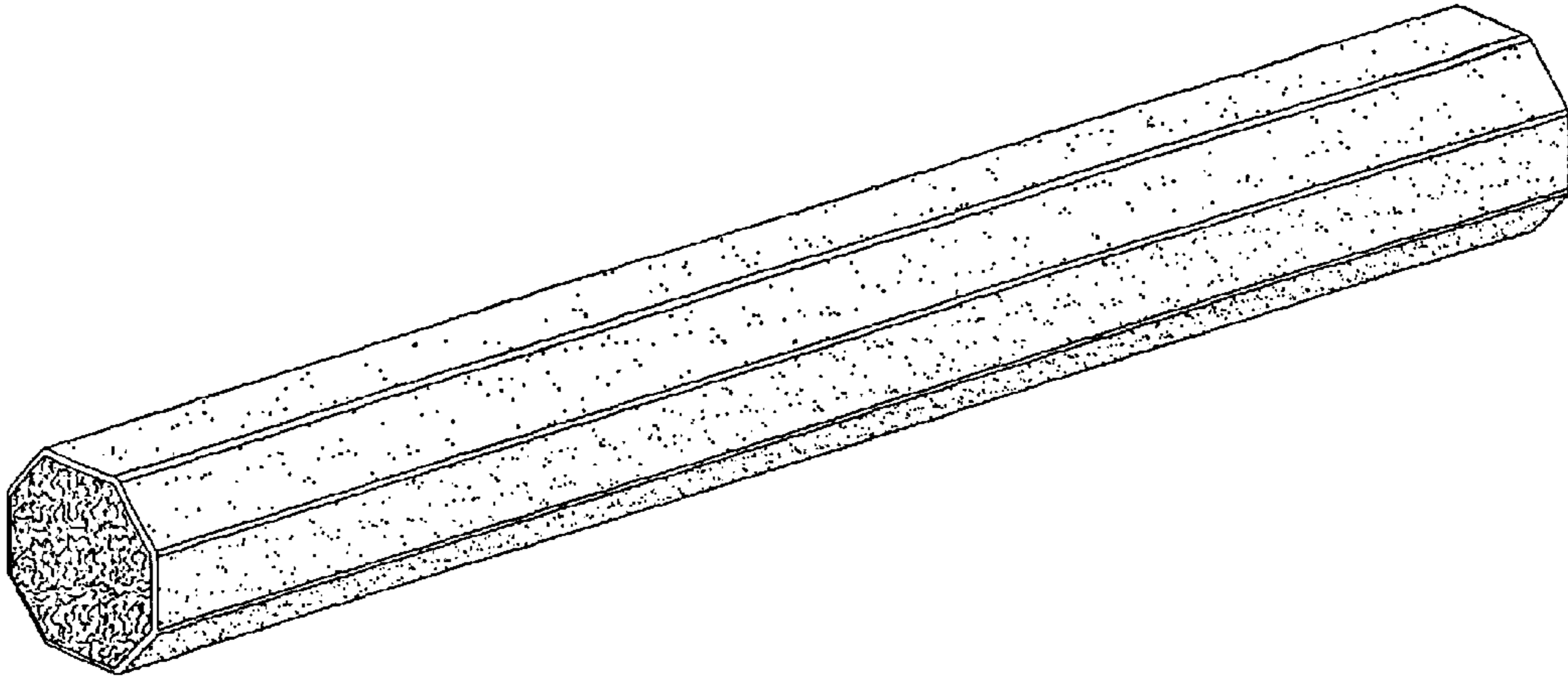


FIG. 1



FIG. 2

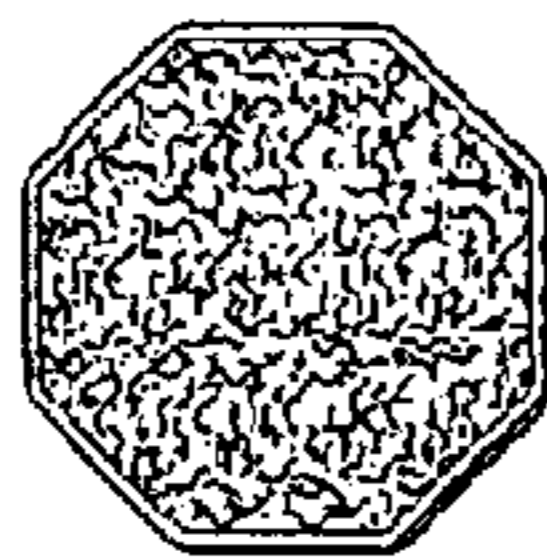


FIG. 3



FIG. 4