

US00D493906S1

(12) **United States Design Patent**
Park

(10) **Patent No.:** **US D493,906 S**

(45) **Date of Patent:** **** Aug. 3, 2004**

(54) **CASE FOR MICROWAVE OVEN LAMP**

(75) **Inventor:** **James Ji-Hong Park, Seoul (KR)**

(73) **Assignee:** **James Tech Co., Ltd. (KR)**

(**) **Term:** **14 Years**

(21) **Appl. No.:** **29/191,966**

(22) **Filed:** **Oct. 17, 2003**

(51) **LOC (7) Cl. 26-05**

(52) **U.S. Cl. D26/74**

(58) **Field of Search** D26/24, 72, 74,
D26/85-92; D7/351, 407, 213; 219/758;
362/92, 94, 364, 366, 147, 404-408

(56) **References Cited**

U.S. PATENT DOCUMENTS

4,252,450	A	*	2/1981	Goodman et al.	400/208
4,853,508	A	*	8/1989	Hammerl	219/758
D373,212	S	*	8/1996	Clark	D26/74
5,712,468	A	*	1/1998	Ace	219/758
5,839,816	A	*	11/1998	Varga et al.	362/153.1
6,201,225	B1	*	3/2001	Lee	219/758

6,210,026	B1	*	4/2001	Hornung et al.	362/490
6,565,236	B1	*	5/2003	Davis, Jr.	362/362

* cited by examiner

Primary Examiner—Clare E Heflin

(74) *Attorney, Agent, or Firm*—Bacon & Thomas, PLLC

(57) **CLAIM**

The ornamental design for a case for microwave oven lamp, as shown.

DESCRIPTION

FIG. 1 is a perspective view of a case for microwave oven lamp, showing my new design; FIG. 2 is a front elevation thereof; FIG. 3 is a rear elevation thereof; FIG. 4 is a top plan view thereof; FIG. 5 is a bottom plan view thereof; FIG. 6 is a left side view thereof; FIG. 7 is a right side plan view thereof; FIG. 8 is an exploded perspective view thereof; and, FIG. 9 is a cross sectional view taken along line 9—9 of FIG. 2.

1 Claim, 7 Drawing Sheets

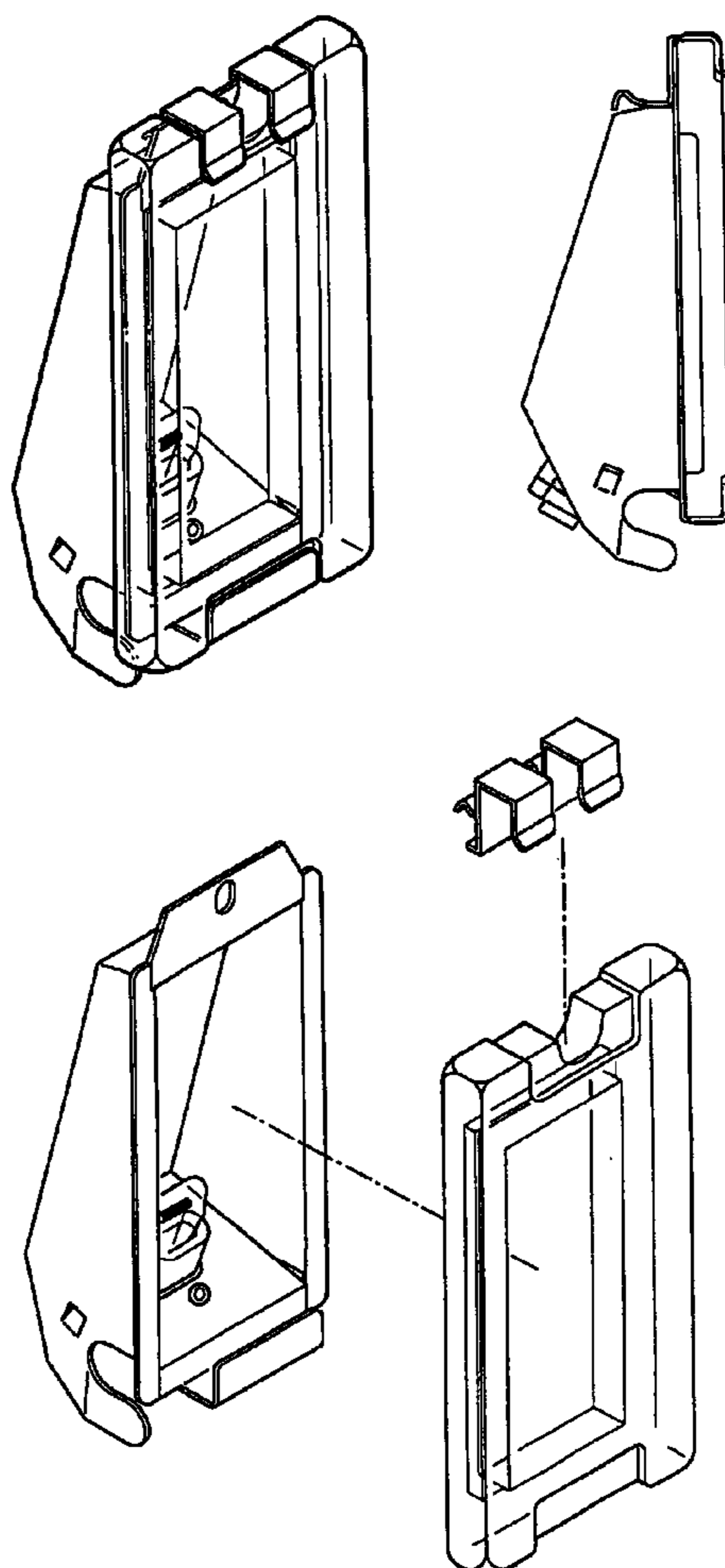


Fig 1

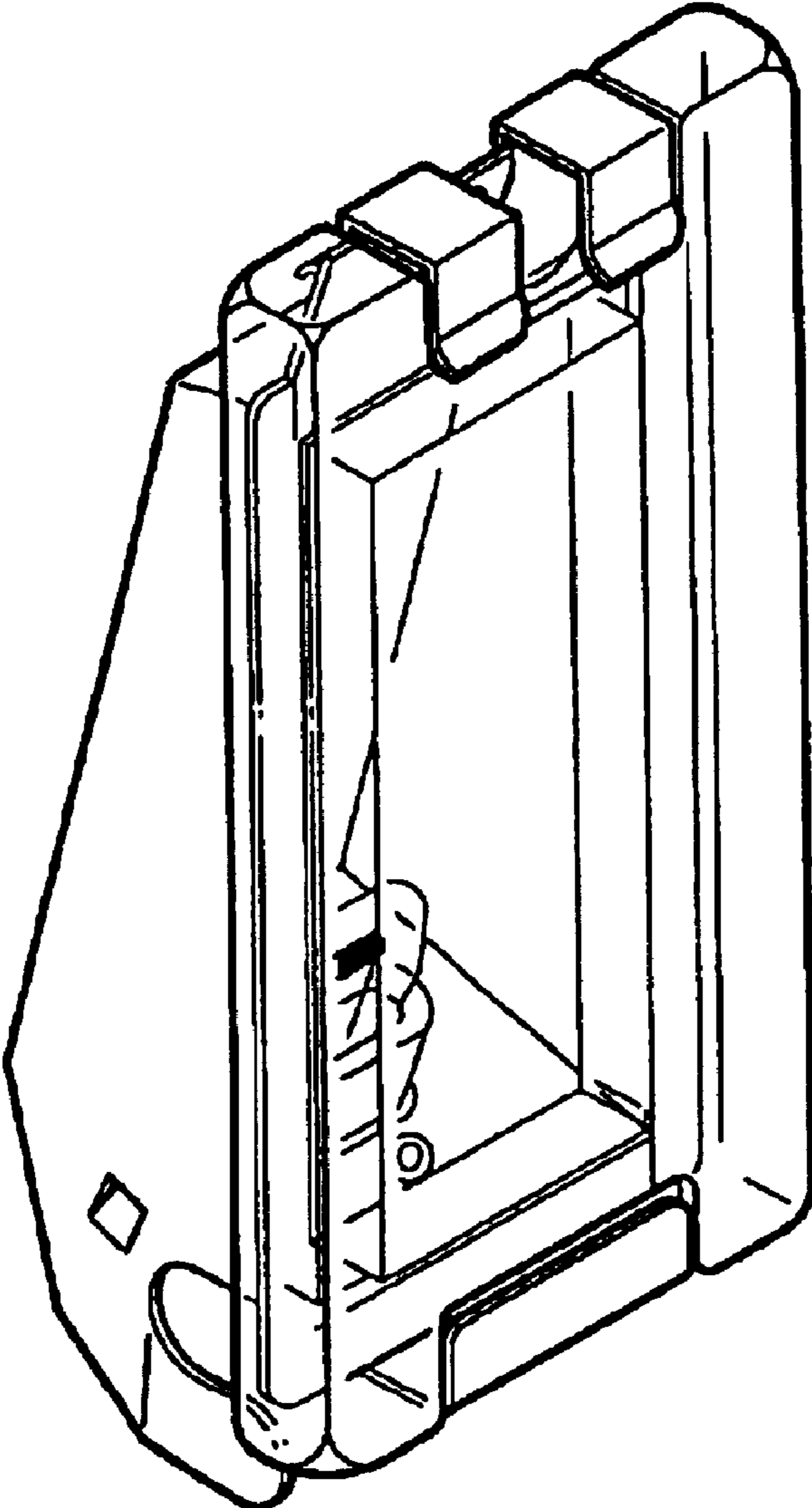


Fig 2

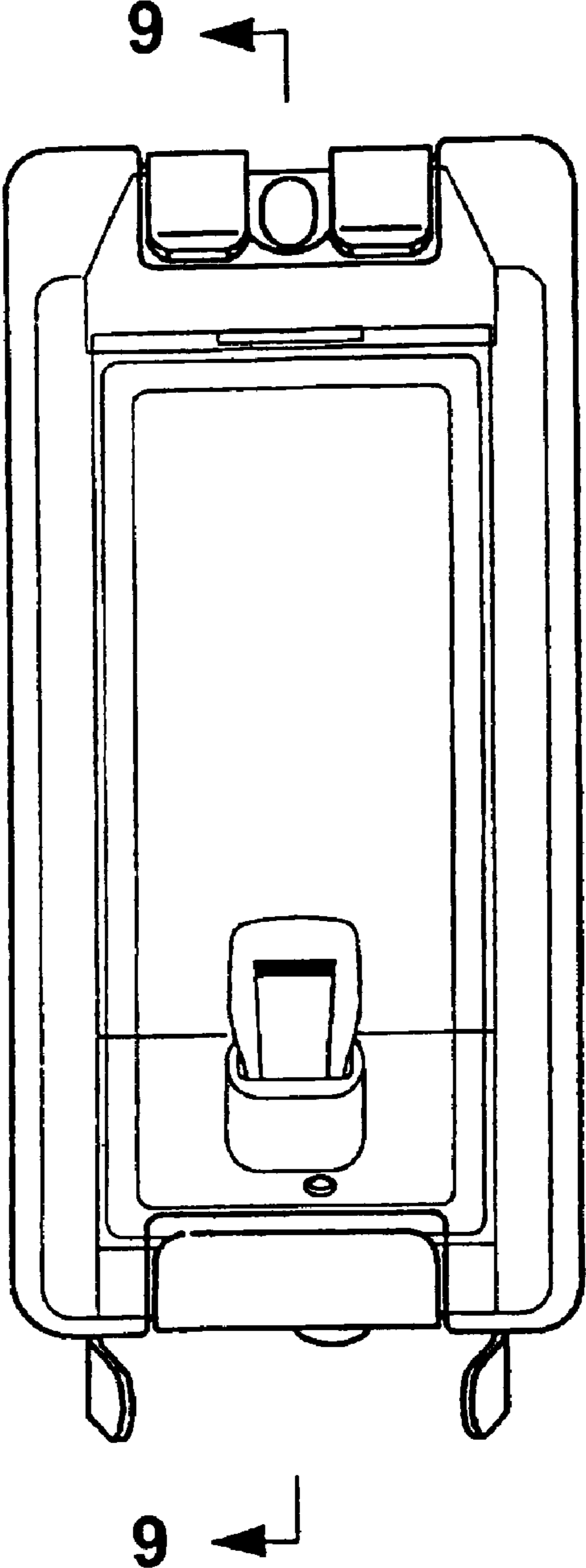


Fig 3

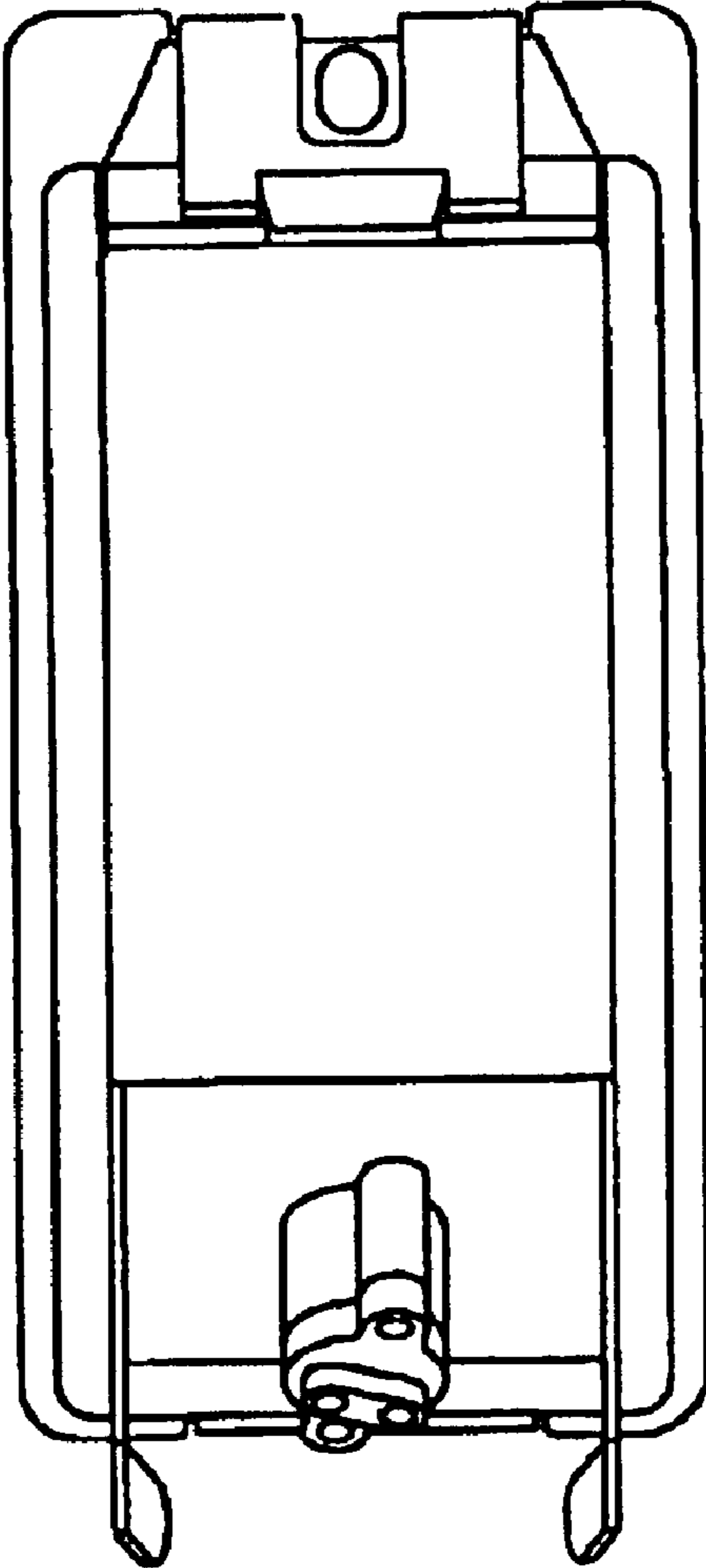


Fig 4

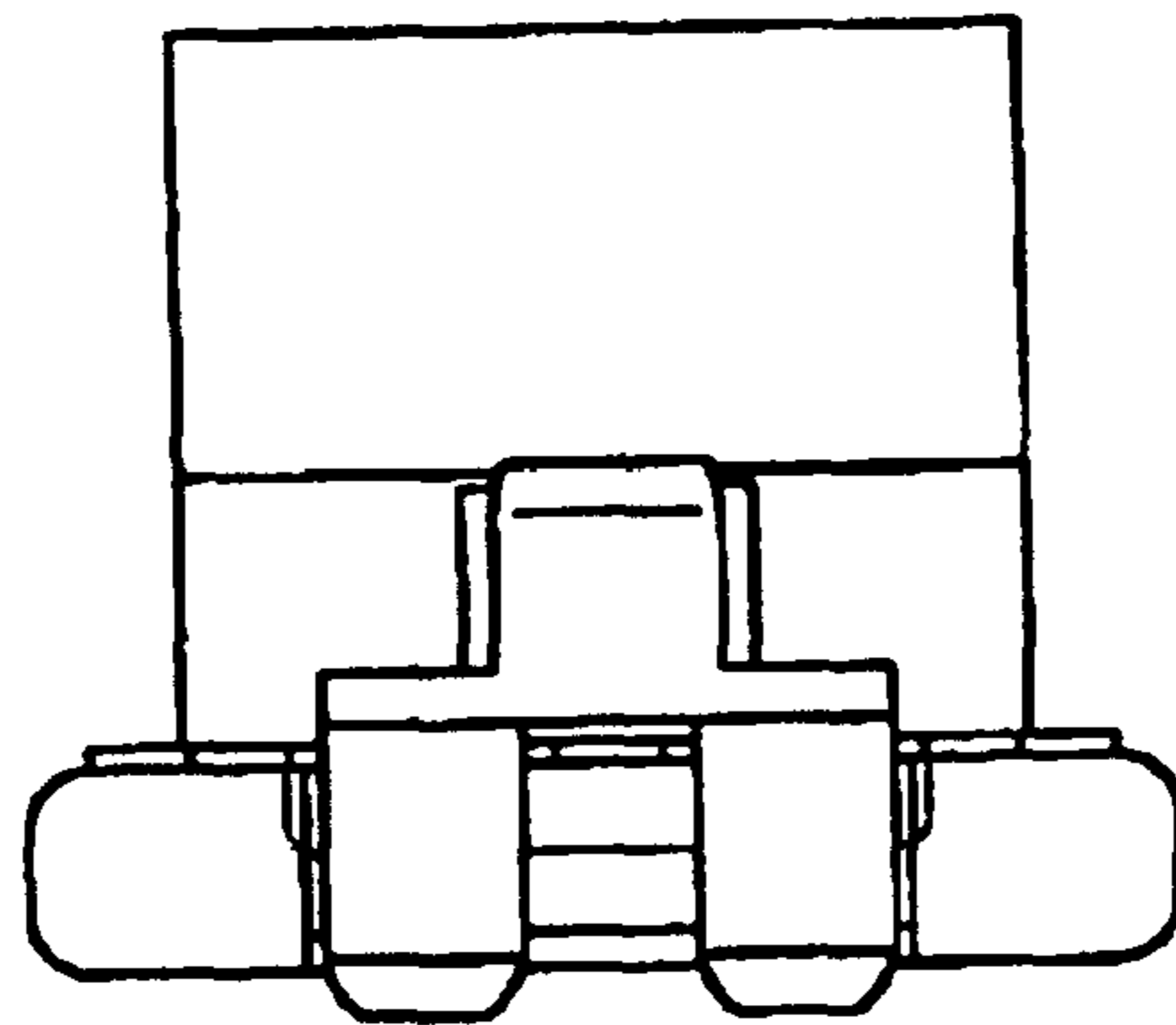


Fig 5

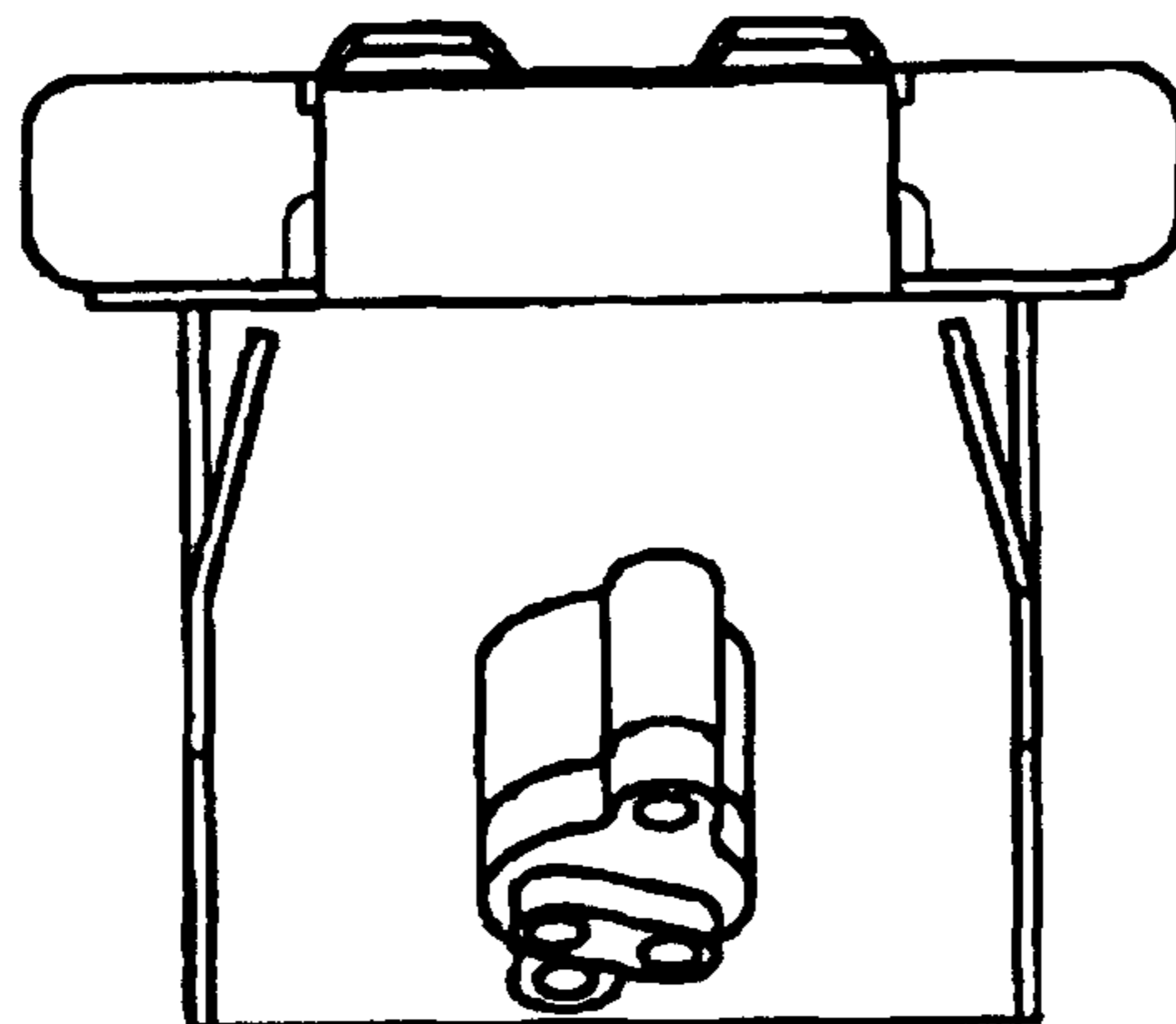


Fig 6

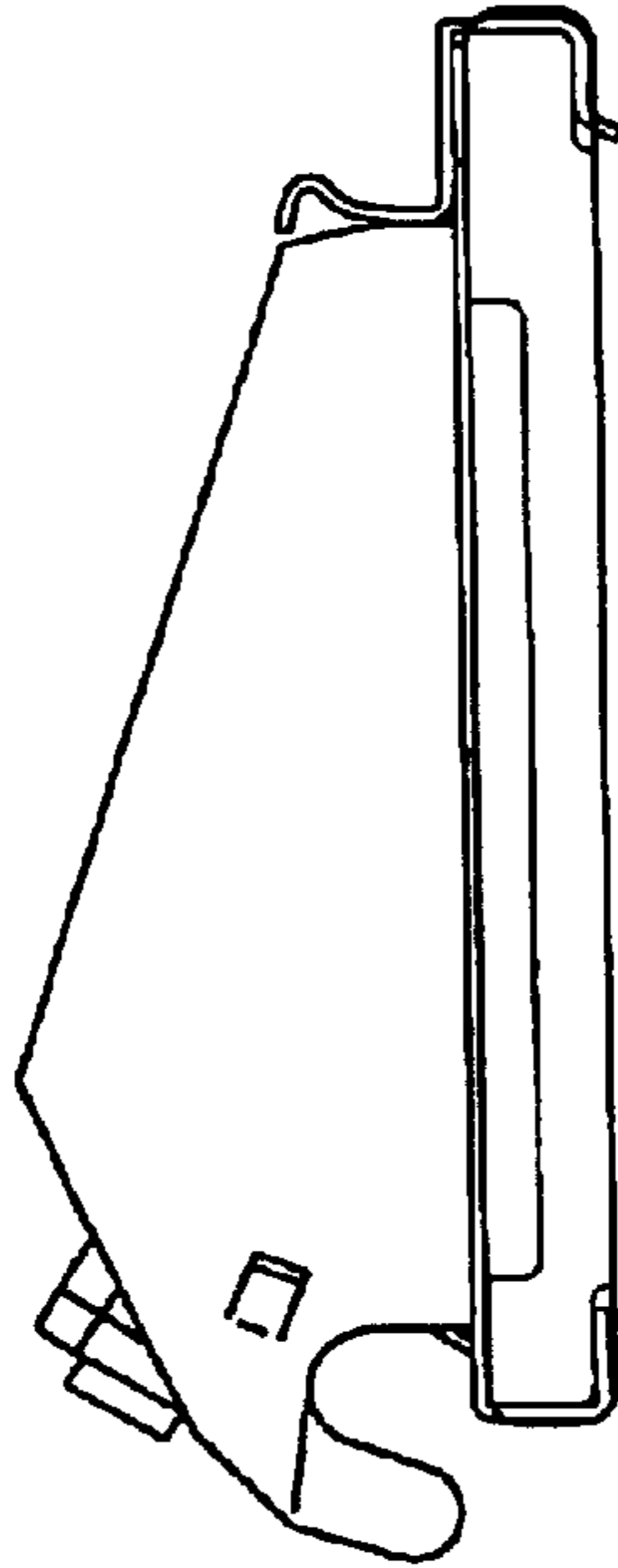


Fig 7

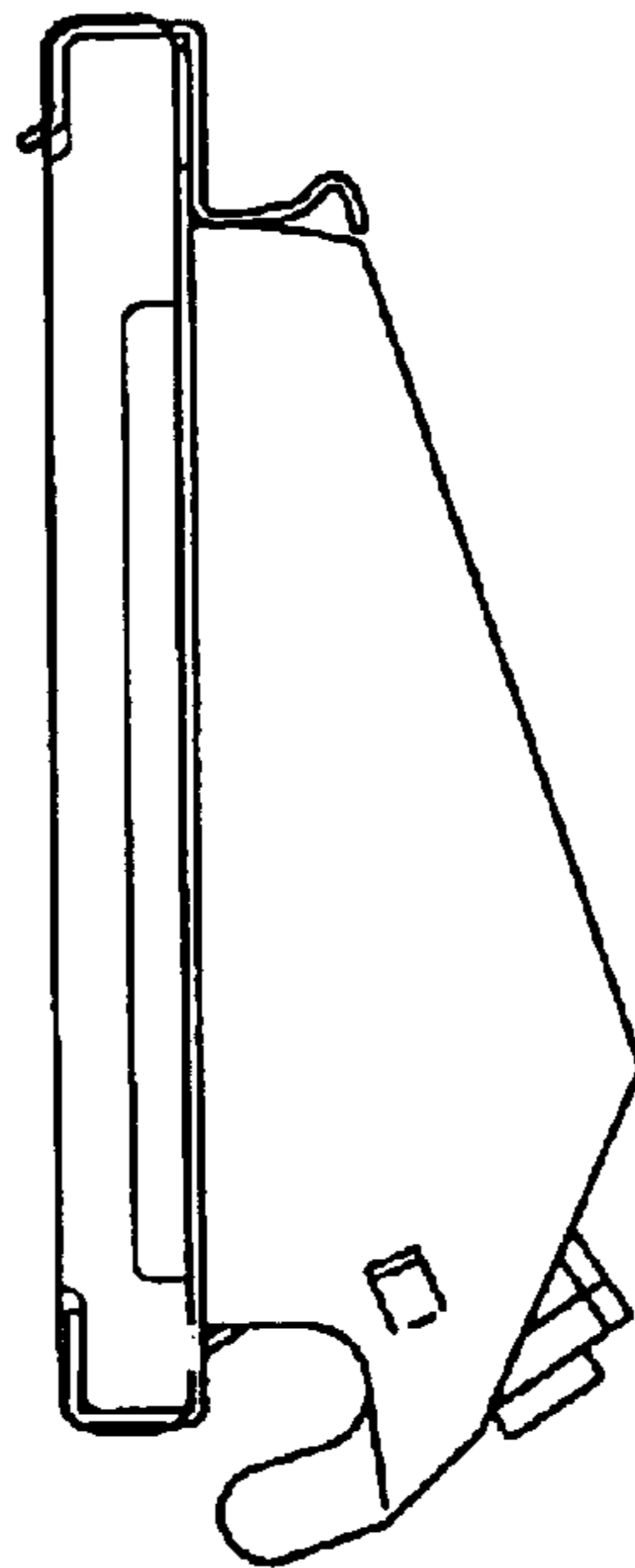


Fig 8

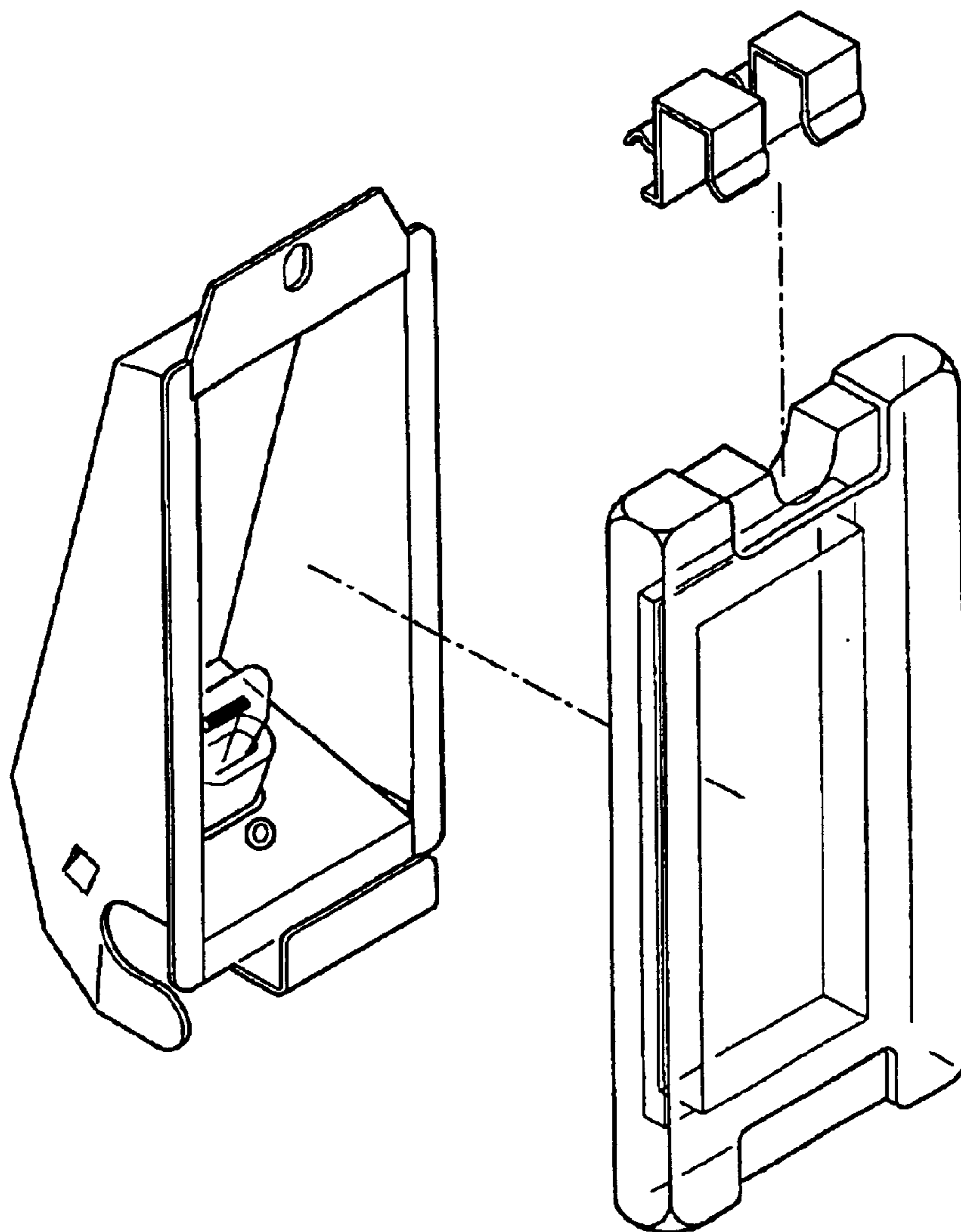
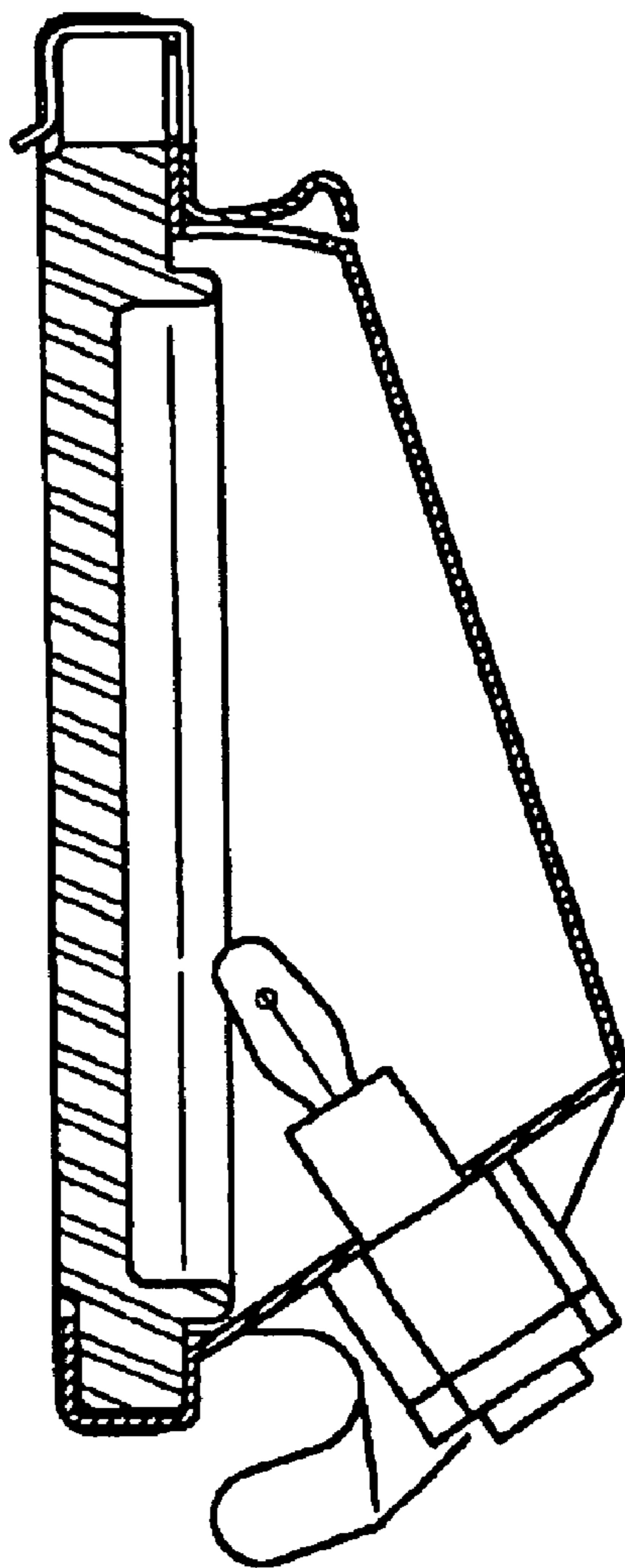


Fig 9



Disclaimer

D493,906 — James Ji-Hong Park, Seoul, Rep. Of Korea. CASE FOR MICROWAVE OVEN LAMP. Patent dated August 3, 2004. Disclaimer filed May 23, 2007, by the assignee, James Tech Co., Ltd.

The term of this patent is hereby disclaimed.

(Official Gazette, July 31, 2007)



US00D493906C1

(12) **EX PARTE REEXAMINATION CERTIFICATE** (6346th)
United States Patent
Park

(10) **Number:** **US D493,906 C1**
(45) **Certificate Issued:** **Aug. 5, 2008**

(54) **CASE FOR MICROWAVE OVEN LAMP**

(75) **Inventor:** **James Ji-Hong Park**, Seoul (KR)

(73) **Assignee:** **James Tech Co., Ltd.**, Geumcheon-Gu (KR)

Disclaimer of Claim 1 Filed May 30, 2007 (O.G. Jul. 31, 2007)

(51) **LOC (8) Cl.** **26-05**

(52) **U.S. Cl.** **D26/74**

(58) **Field of Classification Search** None
See application file for complete search history.

Reexamination Request:

No. 90/008,418, Jan. 8, 2007

(56) **References Cited**

U.S. PATENT DOCUMENTS

D377,292 S * 1/1997 Henrici D7/348

* cited by examiner

Reexamination Certificate for:

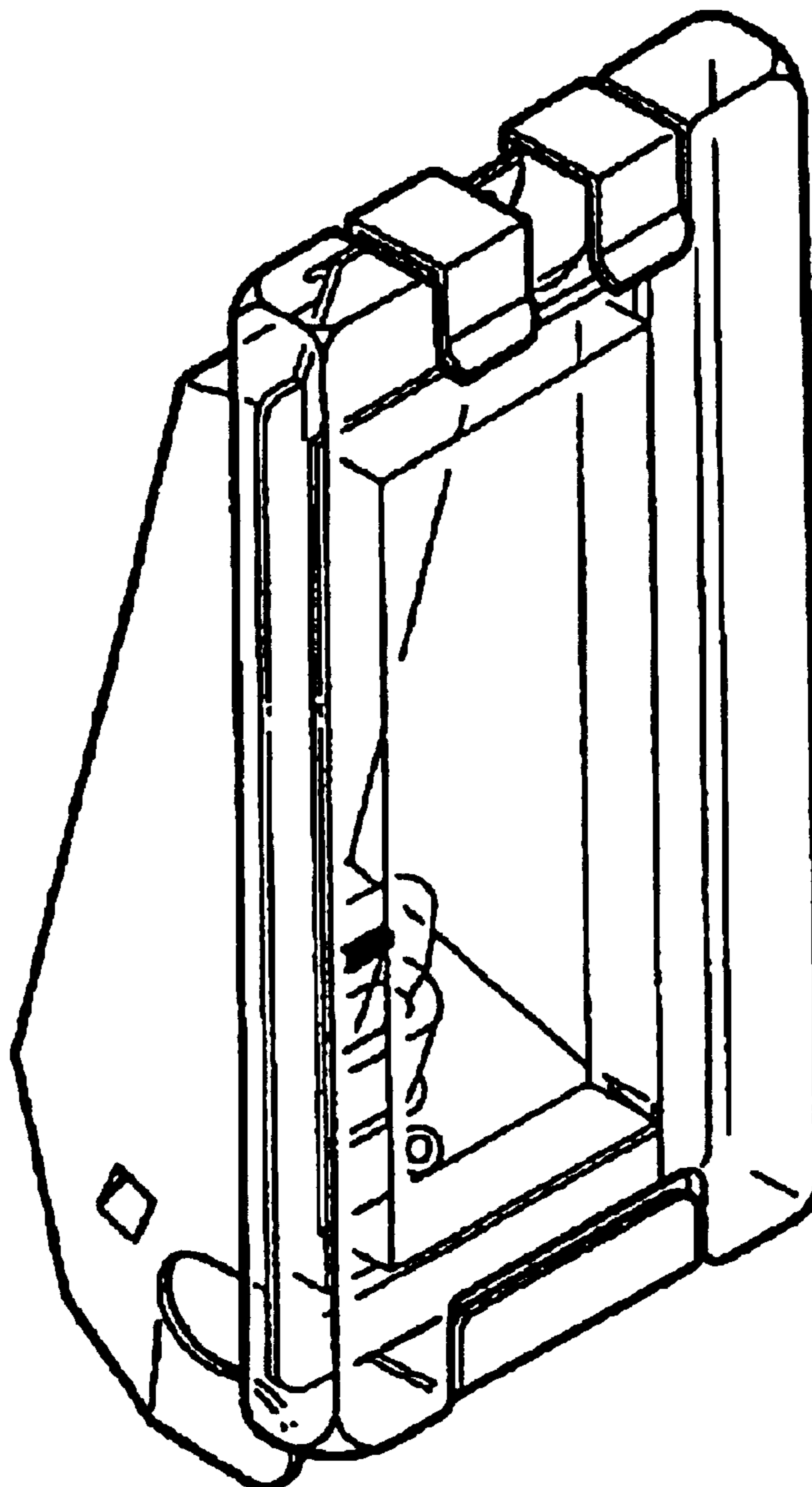
Patent No.: **Des. 493,906**

Issued: **Aug. 3, 2004**

Appl. No.: **29/191,966**

Filed: **Oct. 17, 2003**

Primary Examiner—Robert M. Spear



**EX PARTE
REEXAMINATION CERTIFICATE
ISSUED UNDER 35 U.S.C. 307**

AS A RESULT OF REEXAMINATION, IT HAS BEEN
DETERMINED THAT:

The single design claim is now disclaimed.

[The ornamental design for a case for microwave oven
lamp, as shown.]

* * * * *