



US00D493905S1

(12) **United States Design Patent**
Lin

(10) **Patent No.:** **US D493,905 S**

(45) **Date of Patent:** **** Aug. 3, 2004**

(54) **ADJUSTABLE TRACKLIGHT**

D472,999 S * 4/2003 Layne et al. D26/61

(76) **Inventor:** **Shan Chaing Lin**, No. 2, Lane 111, Ta
Chu Road, Lu Chu Hsiang, Taoyuan
Hsien (TW)

* cited by examiner

Primary Examiner—Clare E Heflin

(74) *Attorney, Agent, or Firm*—Troxell Law Office PLLC

(**) **Term:** **14 Years**

(57) **CLAIM**

(21) **Appl. No.:** **29/191,533**

The ornamental design for an adjustable tracklight, as shown
and described.

(22) **Filed:** **Oct. 10, 2003**

DESCRIPTION

(51) **LOC (7) Cl.** **26-05**

(52) **U.S. Cl.** **D26/63**

(58) **Field of Search** D26/60–66, 72;
362/267, 269, 272, 275, 277, 282, 418,
419, 427

FIG. 1 is a front perspective view of an adjustable tracklight
showing my new design;

FIG. 2 is a front elevational view thereof;

FIG. 3 is a rear elevational view thereof;

FIG. 4 is a left side elevational view thereof;

FIG. 5 is a right side elevational view thereof;

FIG. 6 is a top plan view thereof;

FIG. 7 is a bottom plan view thereof; and,

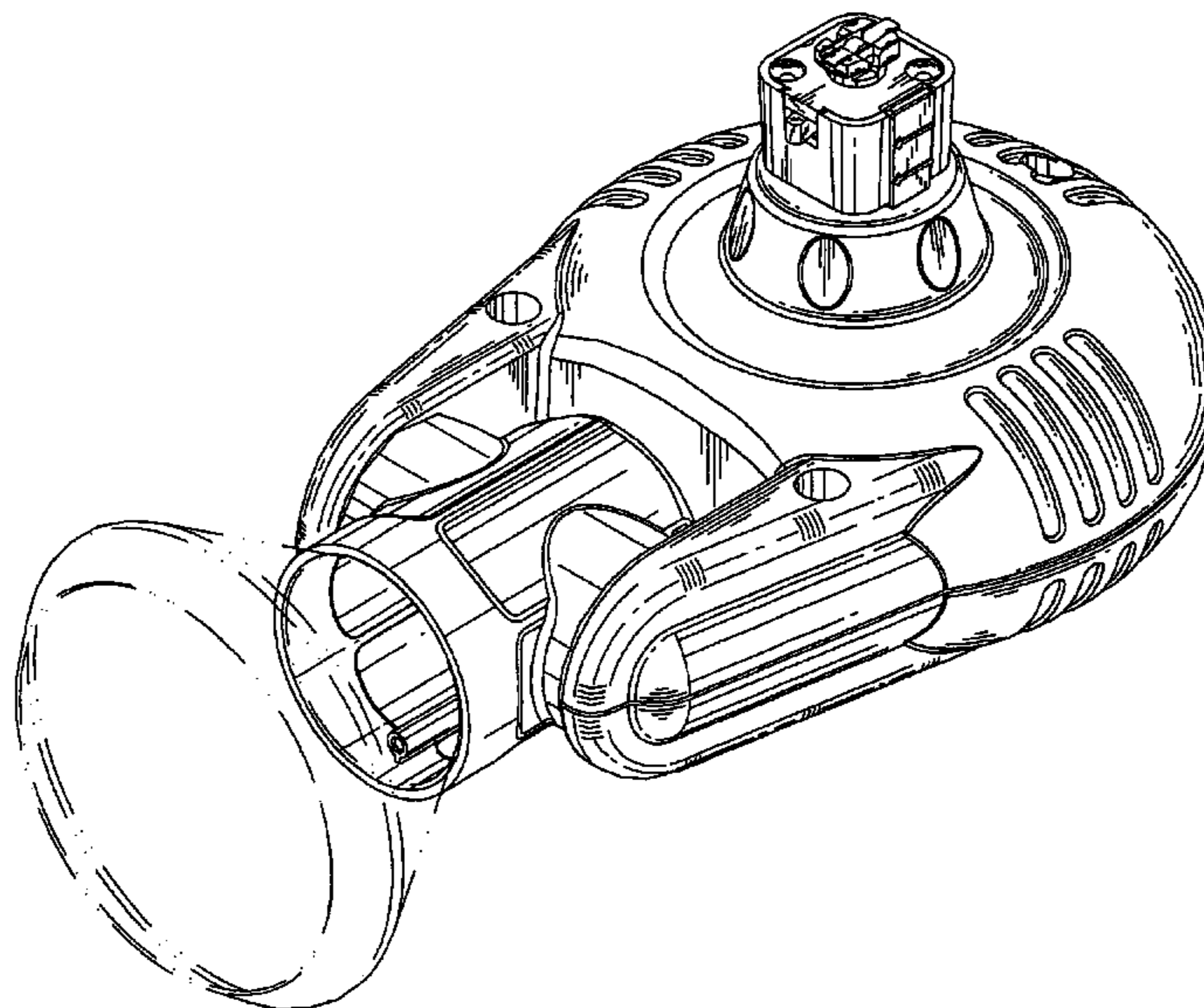
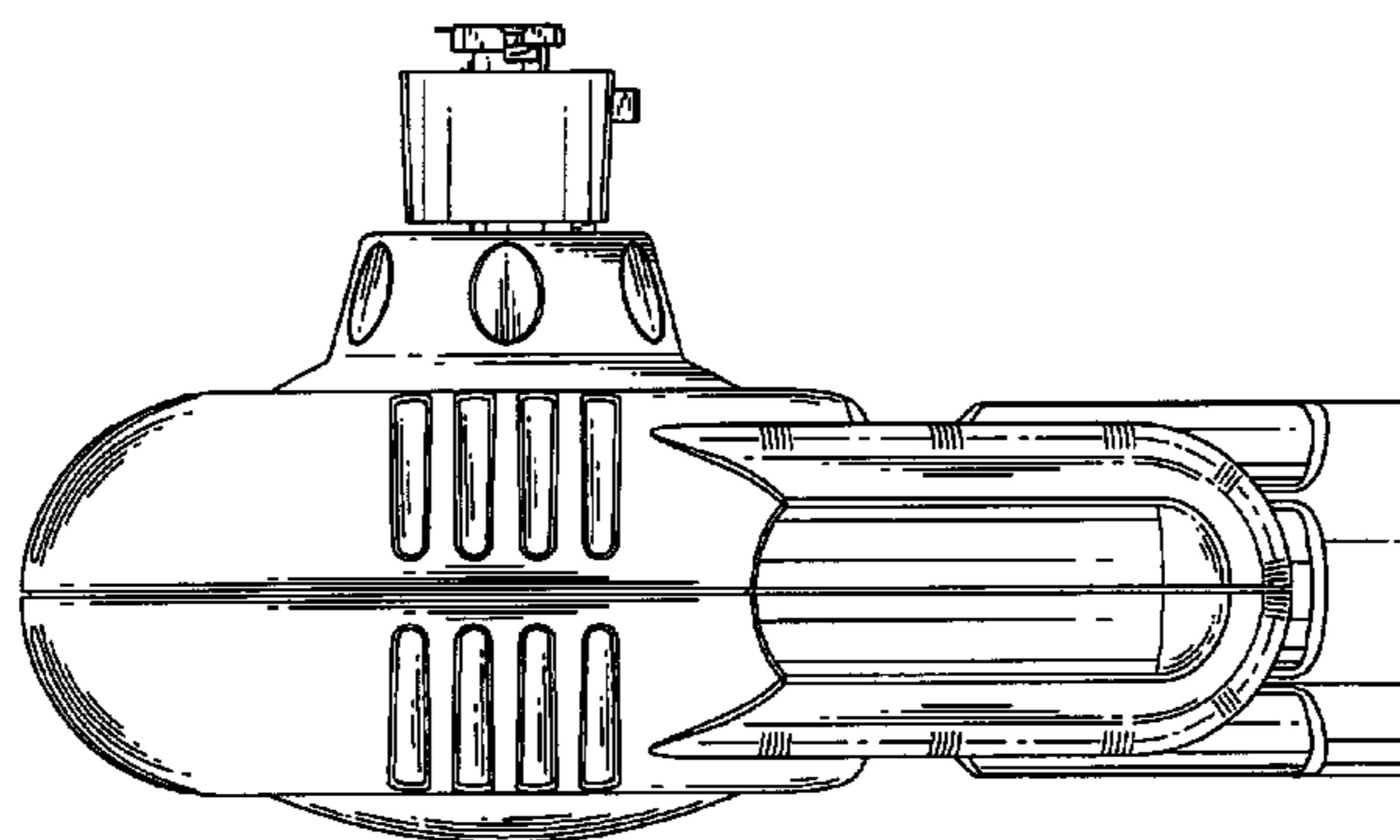
FIG. 8 is a front perspective view showing the adjustable
tracklight with one lamp shown in broken lines for illustra-
tive purposes and forming no part of the claimed design.

(56) **References Cited**

U.S. PATENT DOCUMENTS

5,593,224 A	*	1/1997	Kunkel et al.	362/287
D424,728 S	*	5/2000	Green et al.	D26/63
D457,673 S	*	5/2002	Martinson et al.	D26/63
D463,055 S	*	9/2002	Layne et al.	D26/63
D464,756 S	*	10/2002	Layne et al.	D26/63

1 Claim, 8 Drawing Sheets



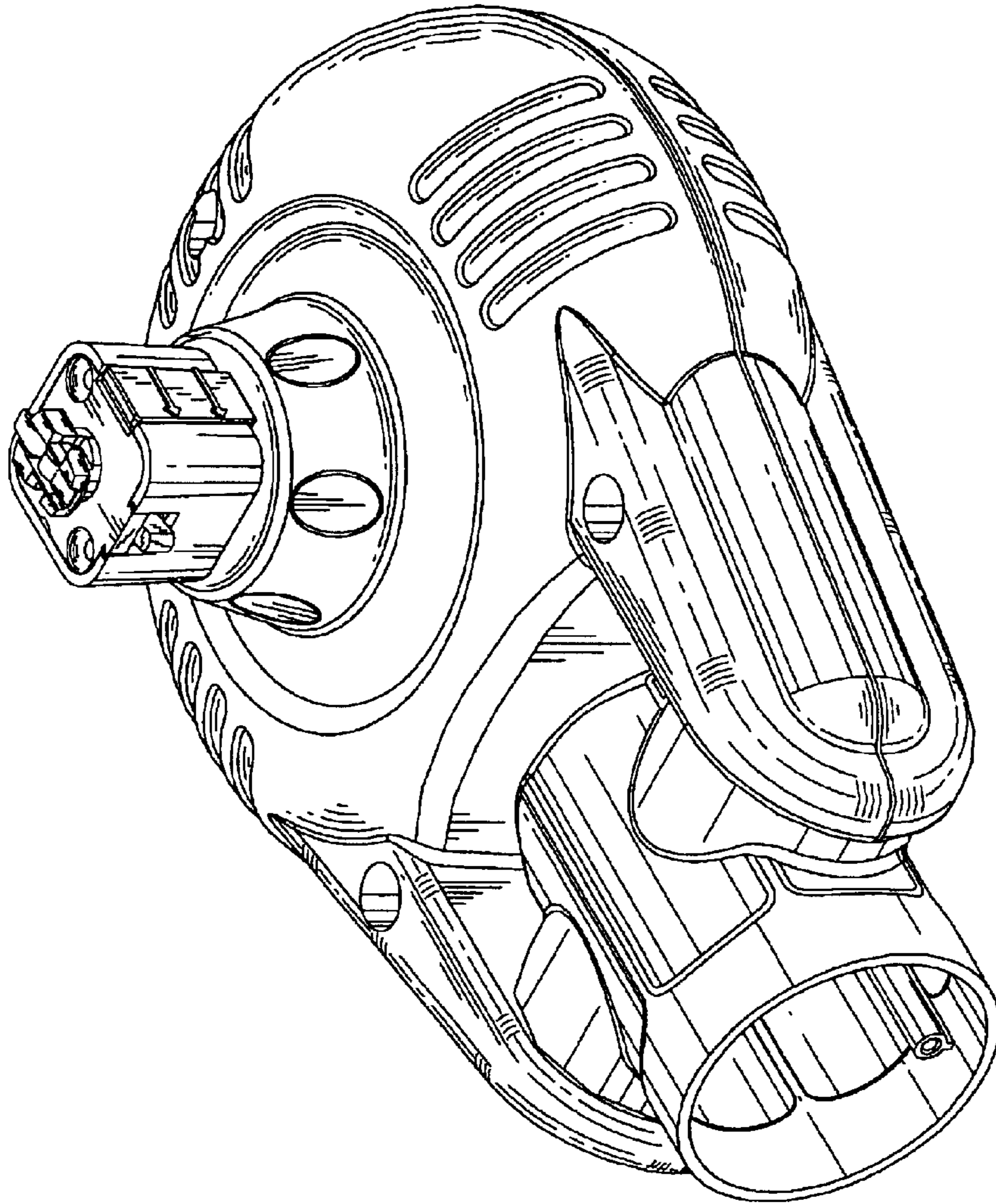


Fig. 1

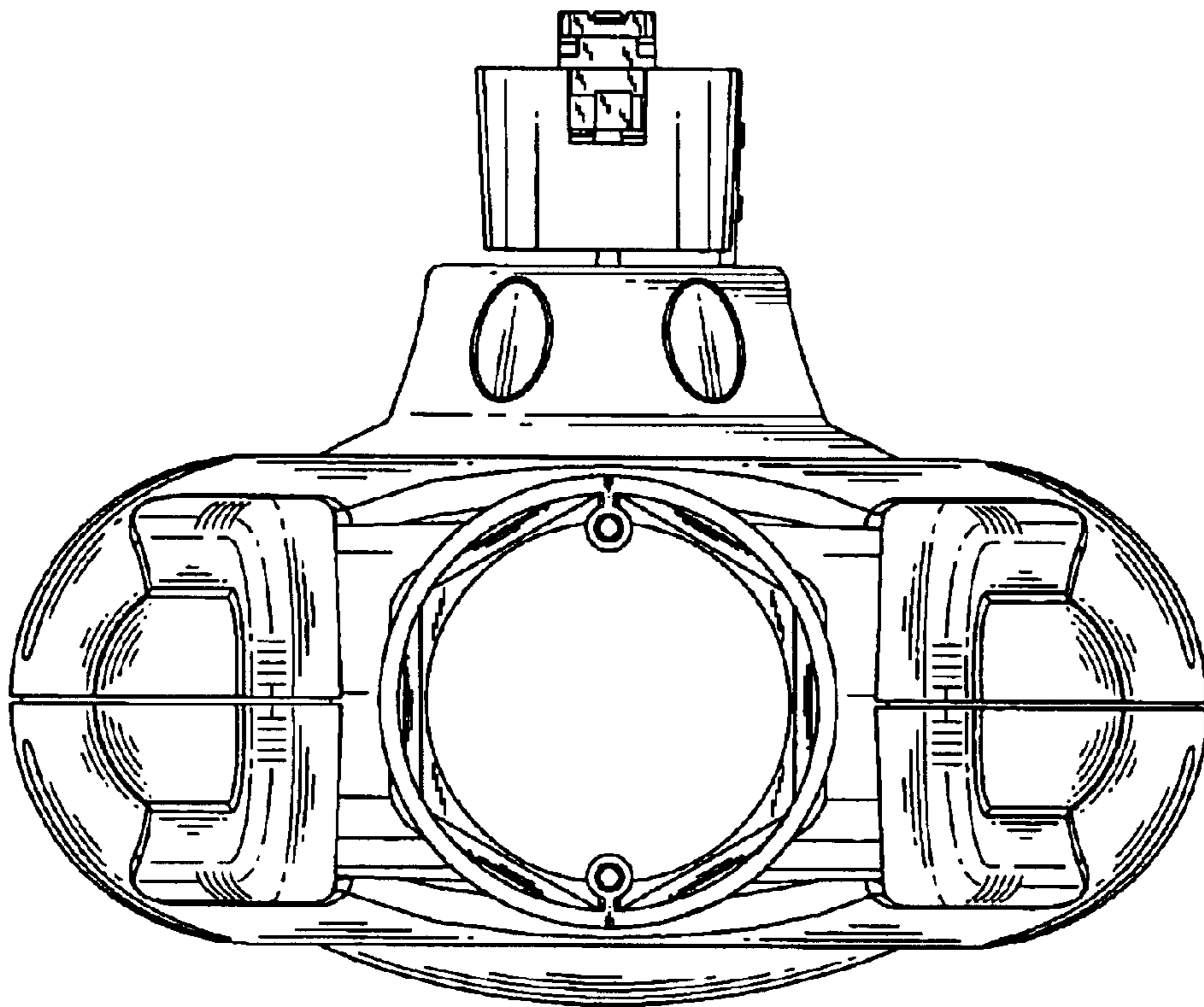


Fig. 2

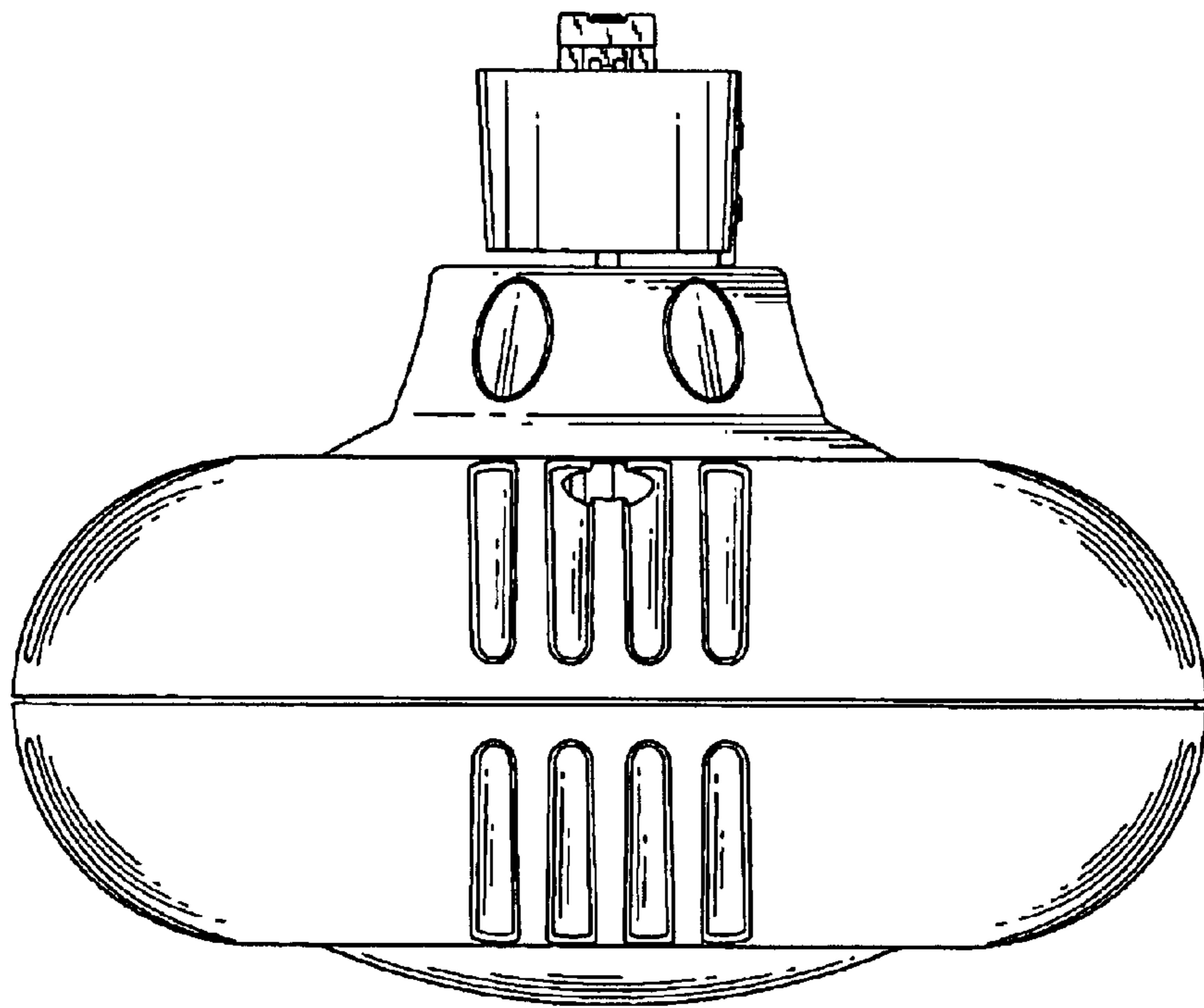


Fig. 3

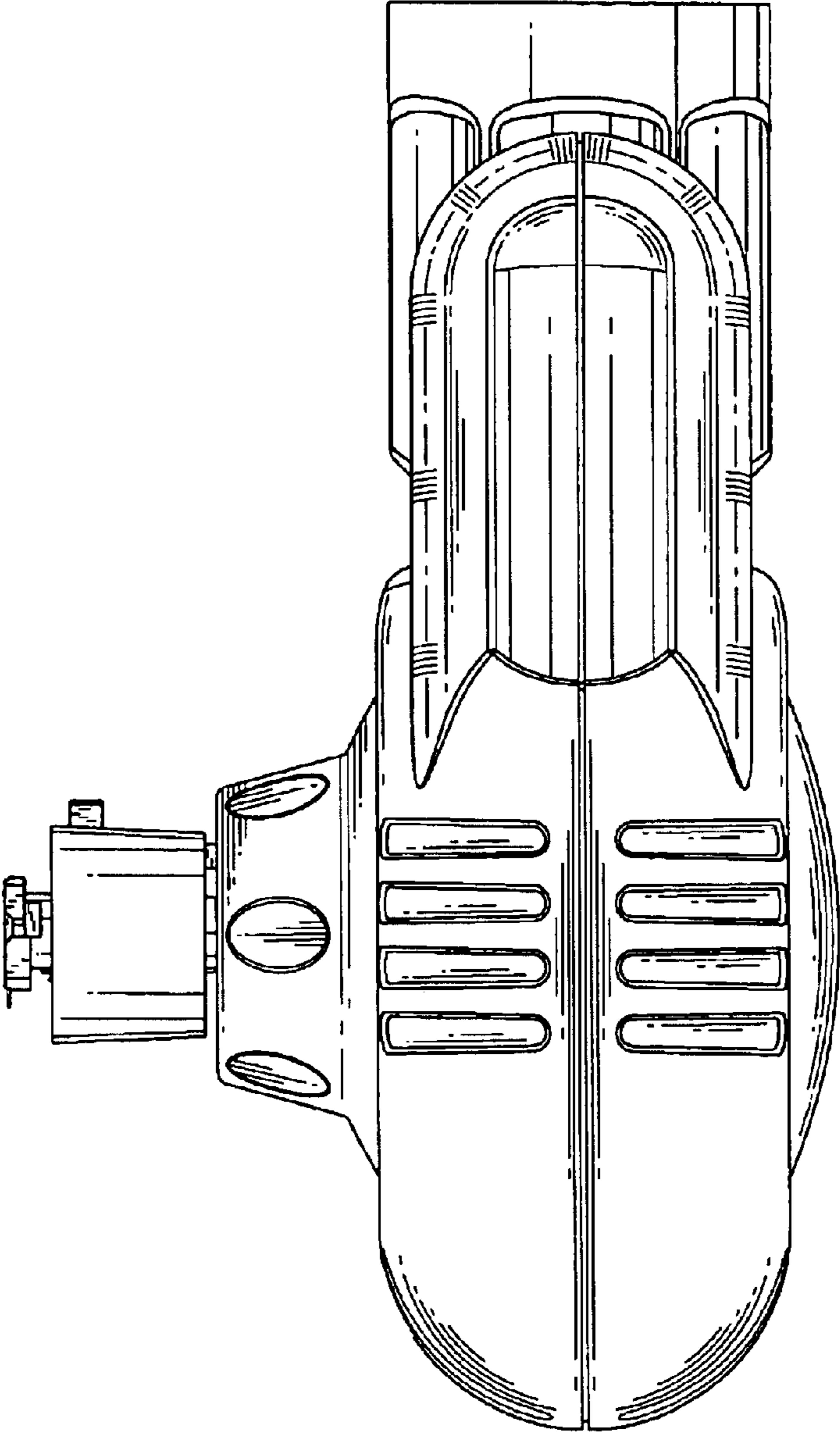


Fig. 4

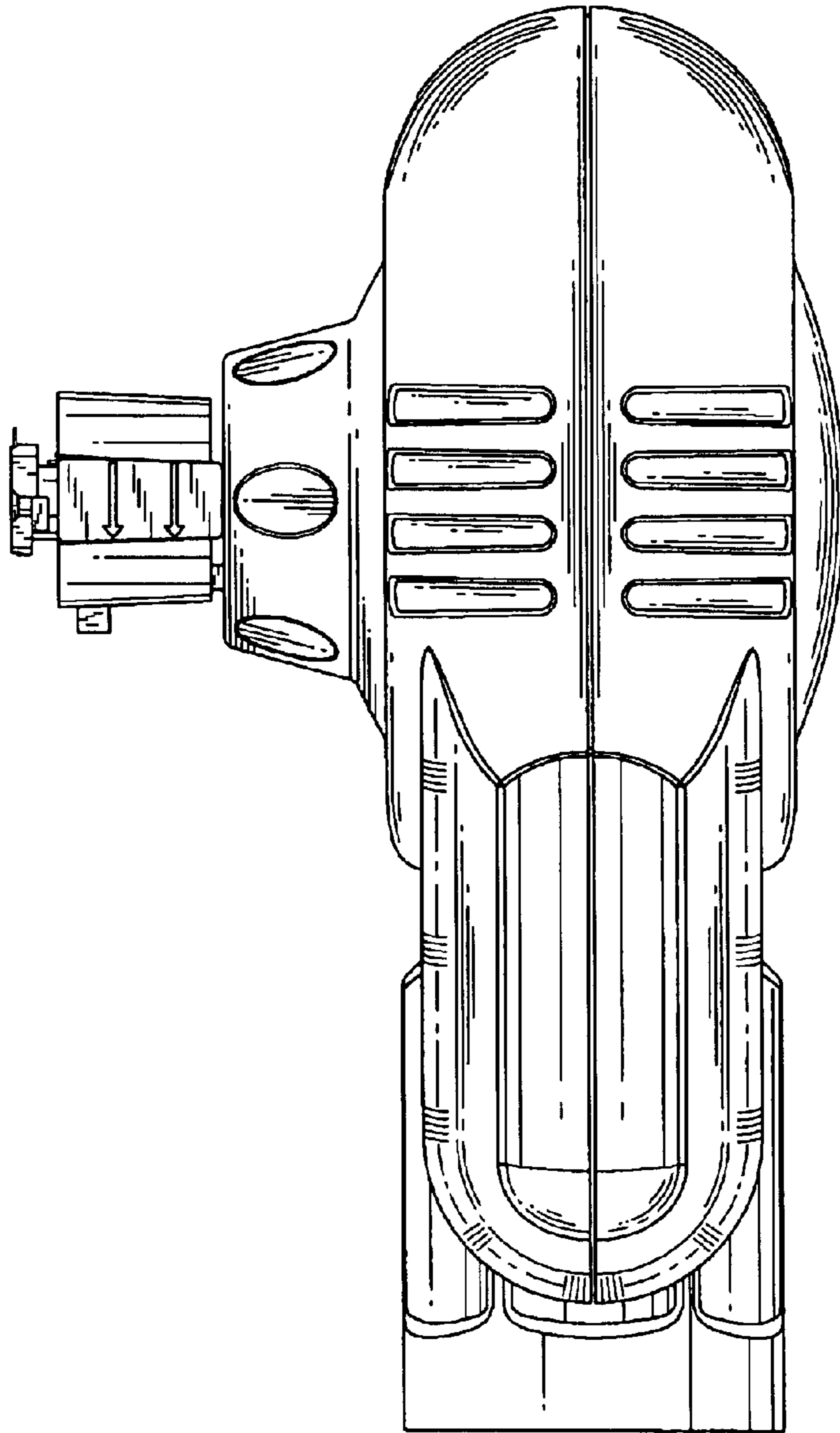


Fig. 5

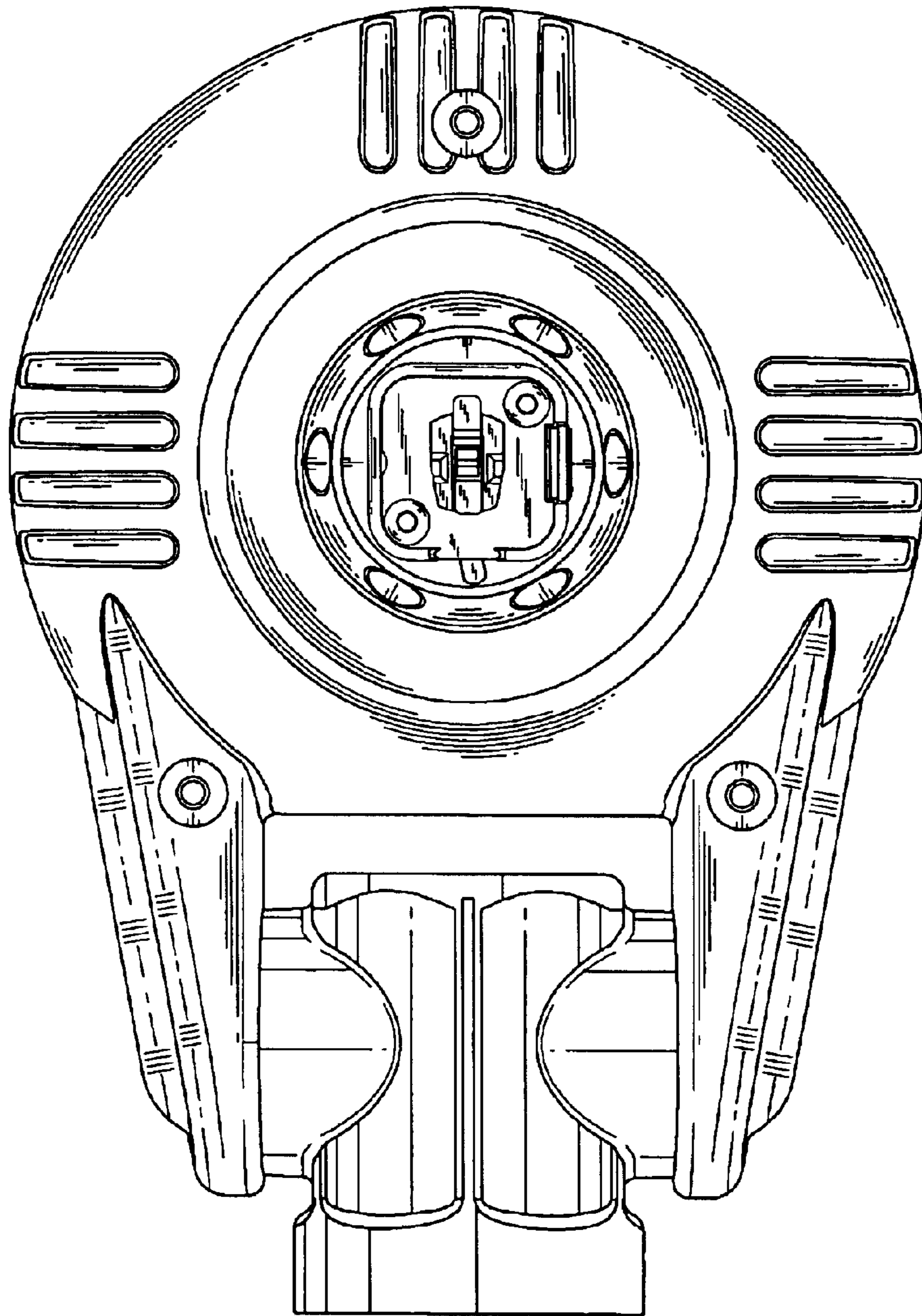


Fig. 6

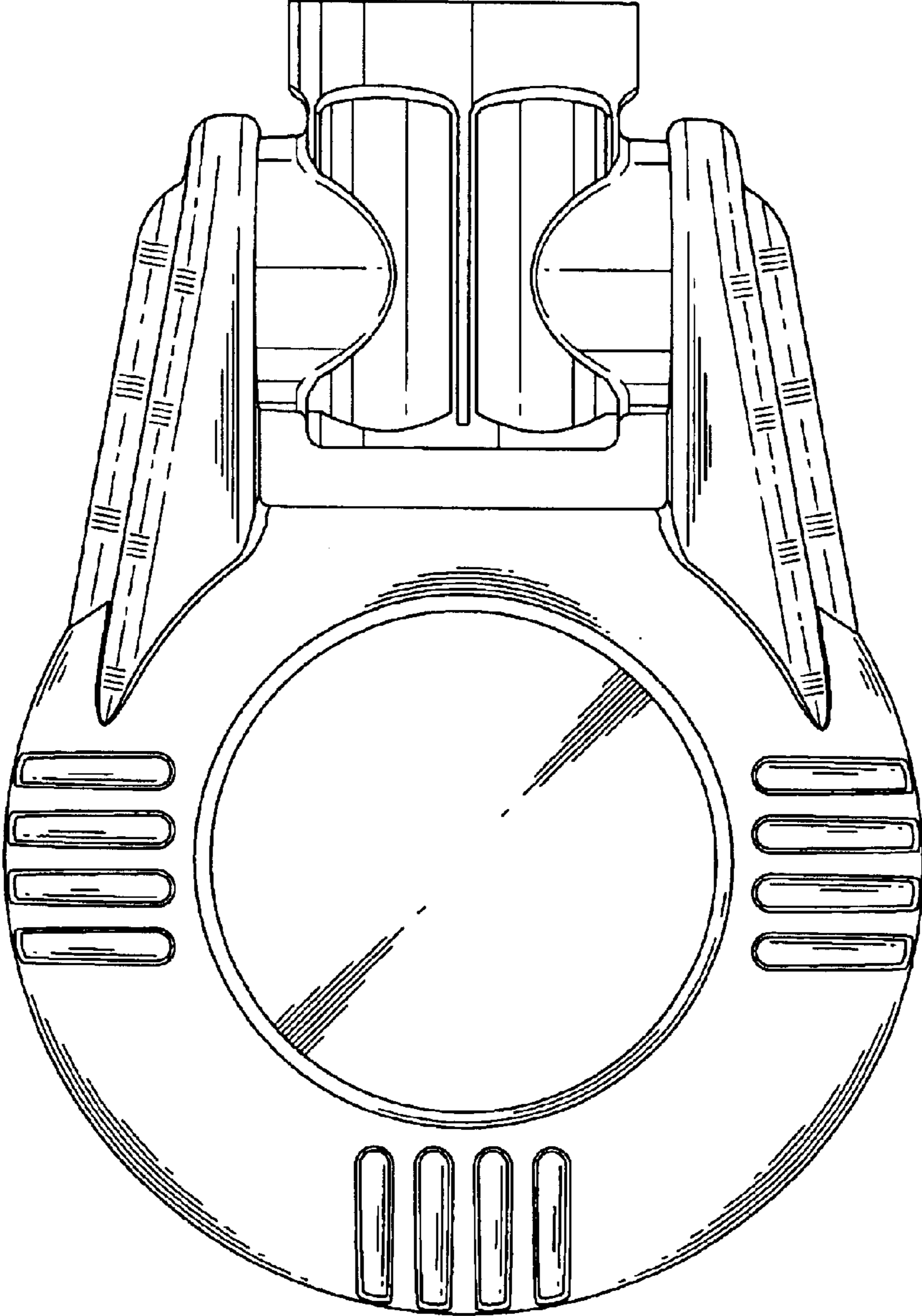


Fig. 7

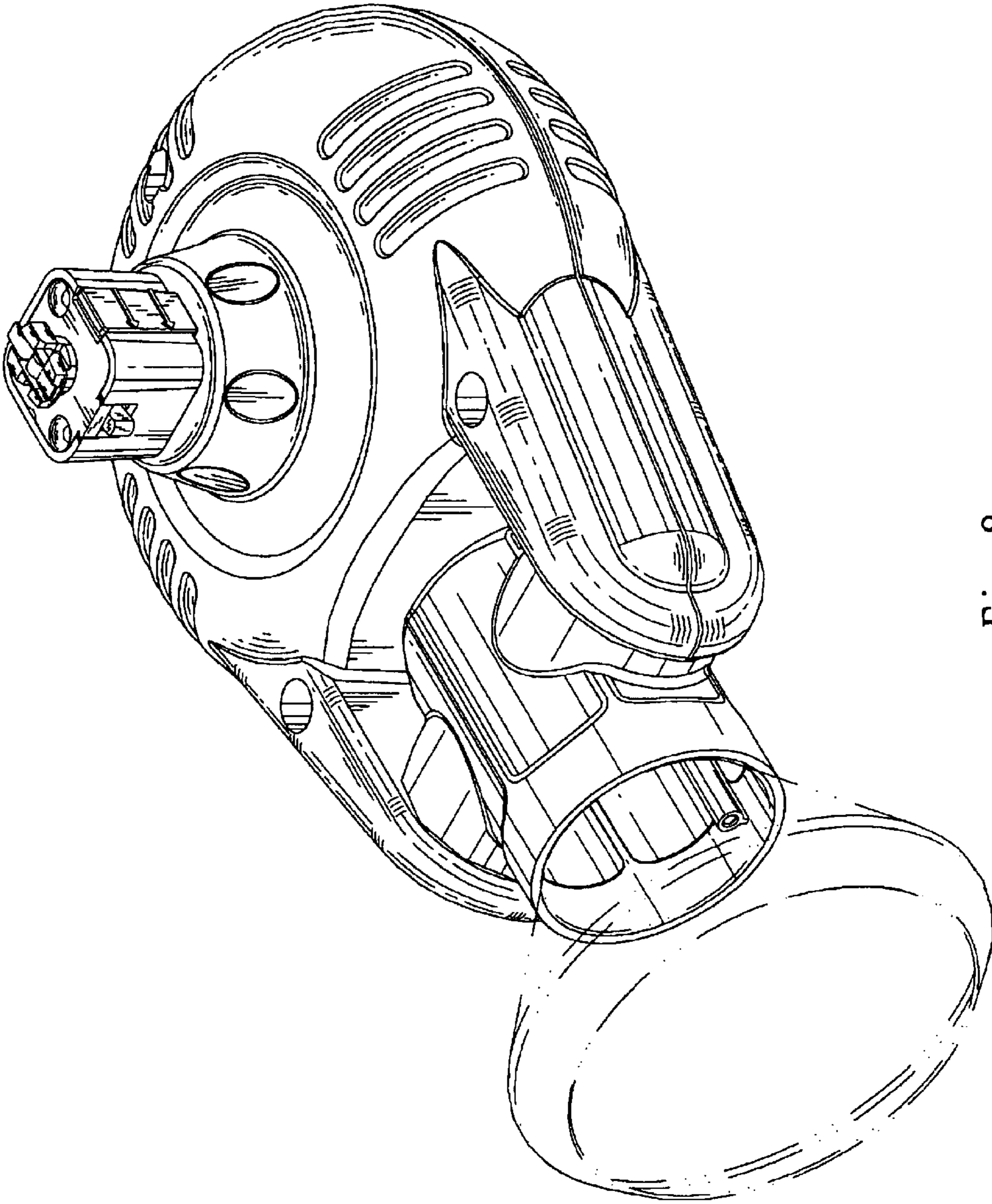


Fig. 8