

US00D493904S1

(12) **United States Design Patent**  
**Dalton et al.**

(10) **Patent No.:** **US D493,904 S**  
(45) **Date of Patent:** **\*\* Aug. 3, 2004**

(54) **FLASHLIGHT**

(75) Inventors: **David R. Dalton**, Turrumurra (AU);  
**Timothy Rugendyke**, Woy Woy (AU);  
**John Robert Brown**, Mosman (AU)

(73) Assignee: **Eveready Battery Company, Inc.**, St. Louis, MO (US)

(\*\*) Term: **14 Years**

(21) Appl. No.: **29/190,265**

(22) Filed: **Sep. 17, 2003**

(30) **Foreign Application Priority Data**

Mar. 17, 2003 (AU) ..... 976/2003

(51) **LOC (7) Cl.** ..... **26-02**

(52) **U.S. Cl.** ..... **D26/49**

(58) **Field of Search** ..... D26/37-50; 362/157,  
362/158, 171-174, 183-208

(56) **References Cited**

**U.S. PATENT DOCUMENTS**

D449,395 S \* 10/2001 Dalton et al. .... D26/49  
D472,006 S \* 3/2003 Fritz ..... D26/49

D474,555 S \* 5/2003 Sieckowski et al. .... D26/49  
D481,817 S \* 11/2003 Mah ..... D26/49  
D484,627 S \* 12/2003 Mah ..... D26/49

\* cited by examiner

*Primary Examiner*—Marcus A Jackson

(74) *Attorney, Agent, or Firm*—Stewart A. Fraser

(57) **CLAIM**

We claim the ornamental design for a flashlight, as shown and described.

**DESCRIPTION**

FIG. 1 is a view showing the upper front right perspective of the flashlight of the present invention;

FIG. 2 is a view showing the right side elevation of the flashlight of the present invention;

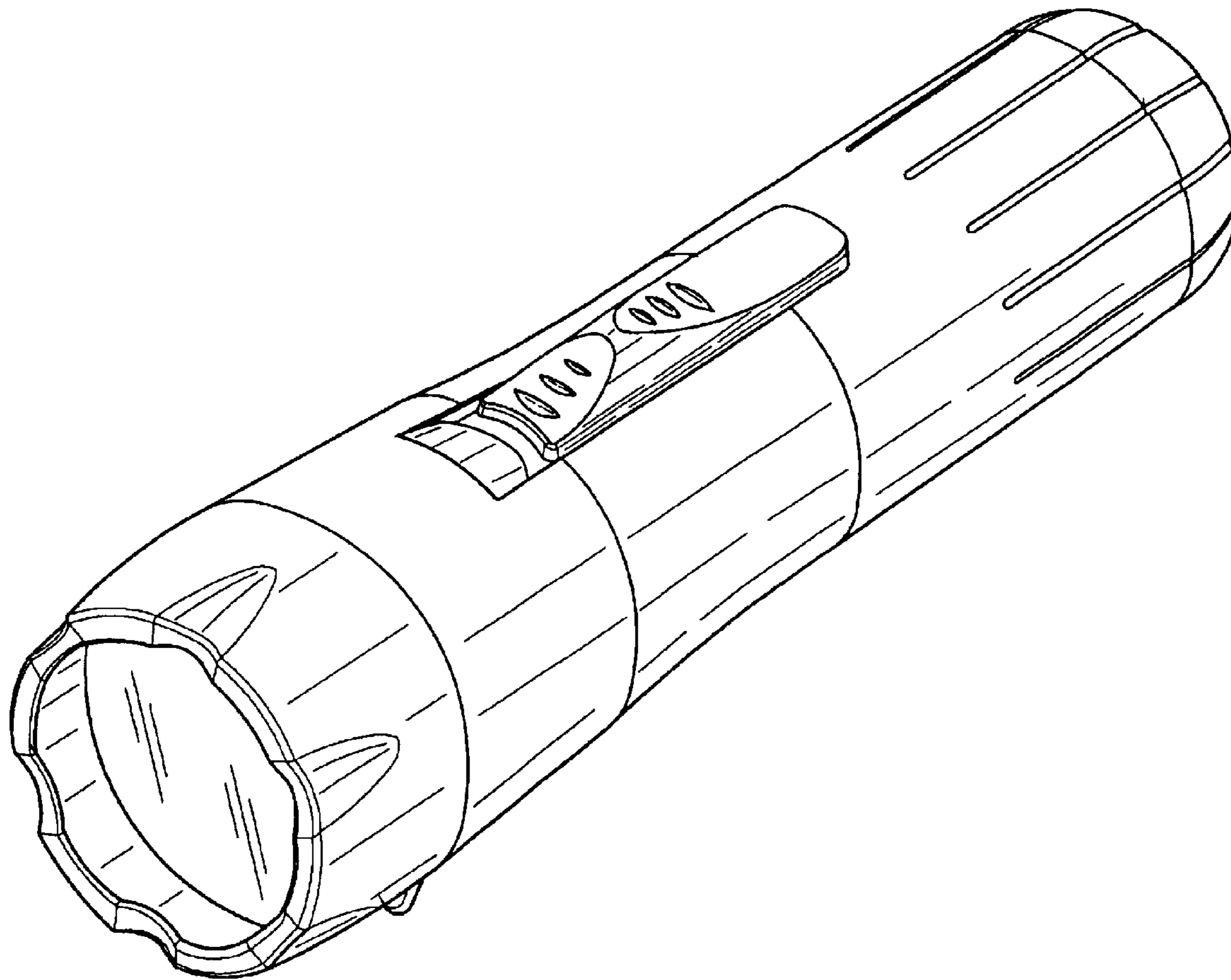
FIG. 3 is a plan view of the flashlight of the present invention;

FIG. 4 is an underneath view of the flashlight of the present invention;

FIG. 5 is a view of the front elevation of the flashlight of the present invention; and,

FIG. 6 is a view of the rear elevation of the flashlight of the present invention.

**1 Claim, 4 Drawing Sheets**



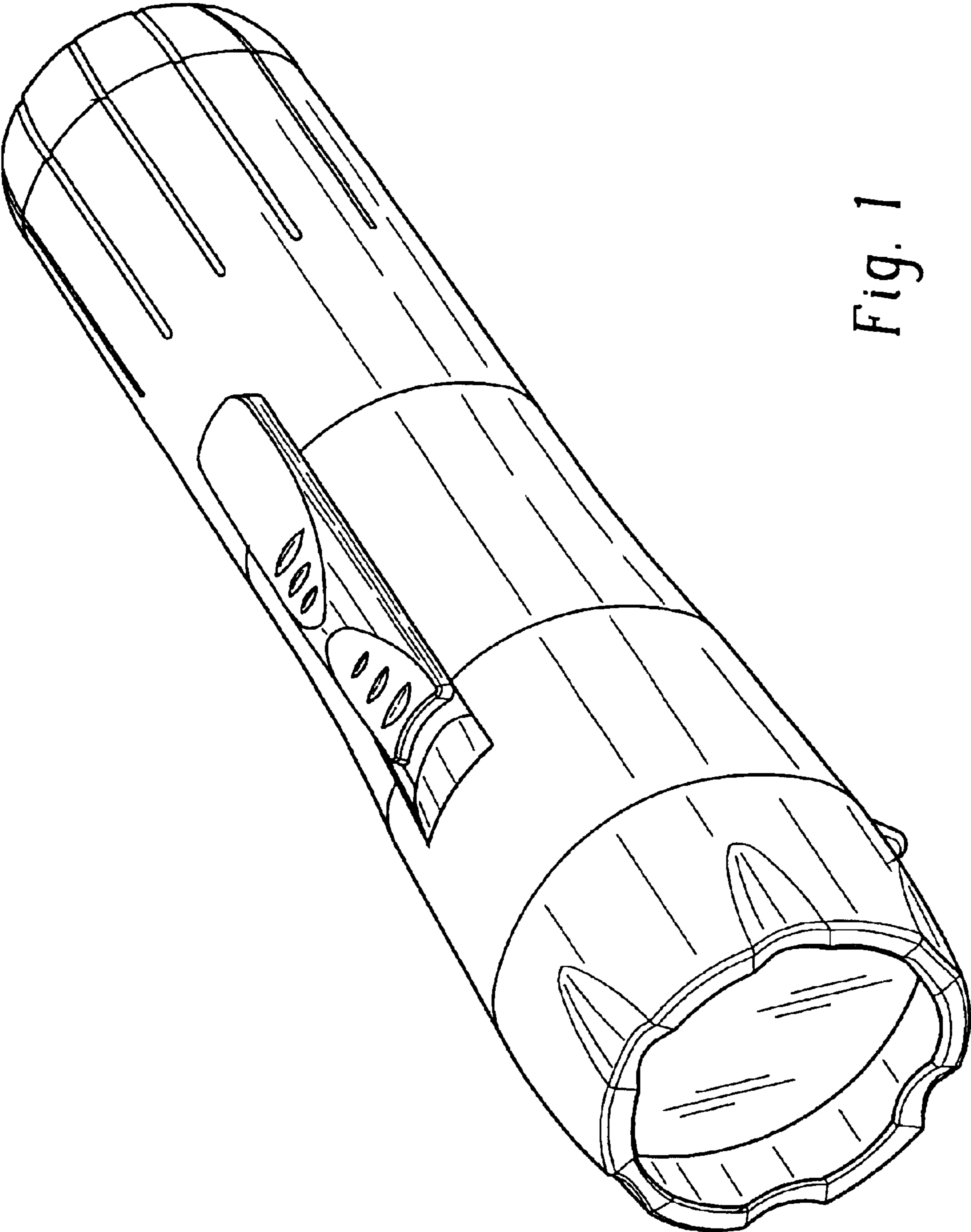


Fig. 1

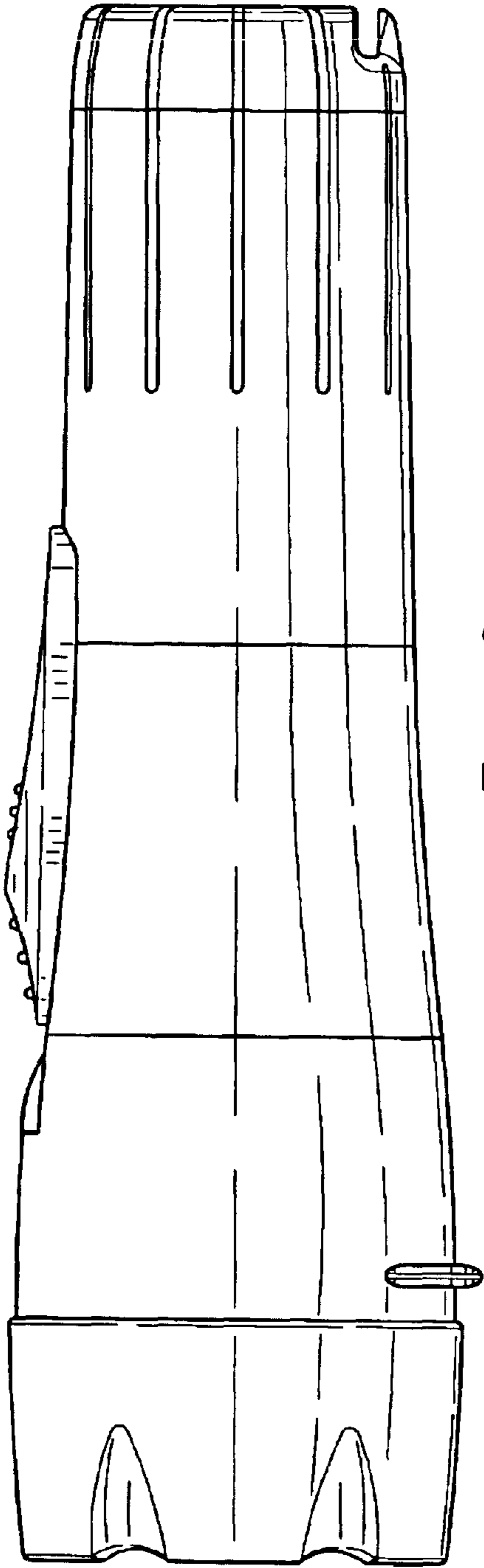


Fig. 2

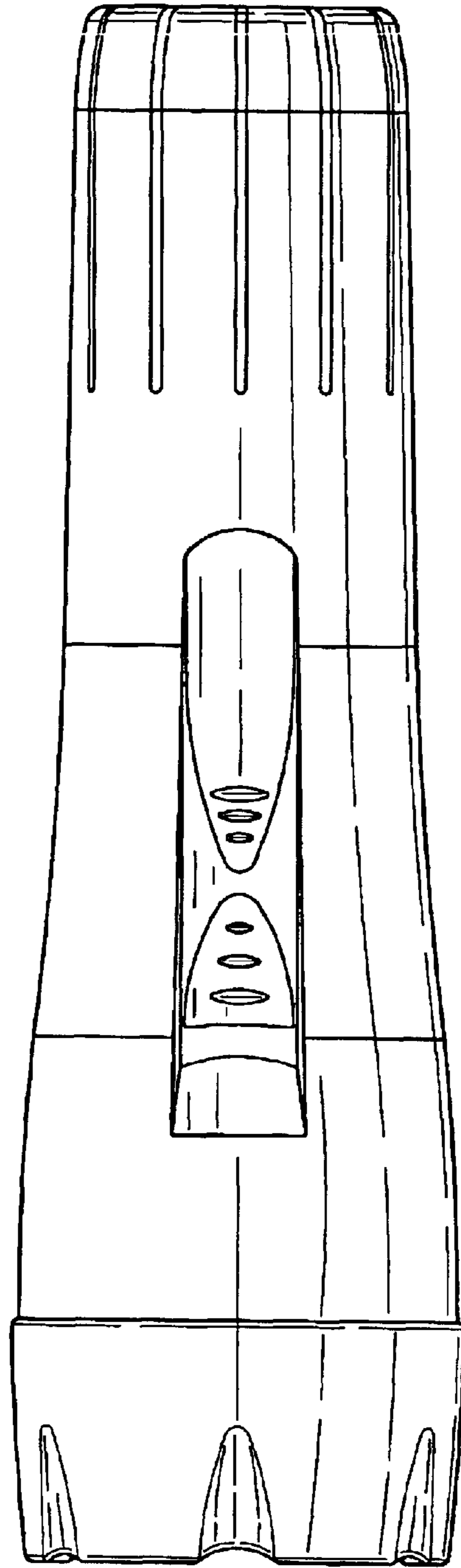


Fig. 3

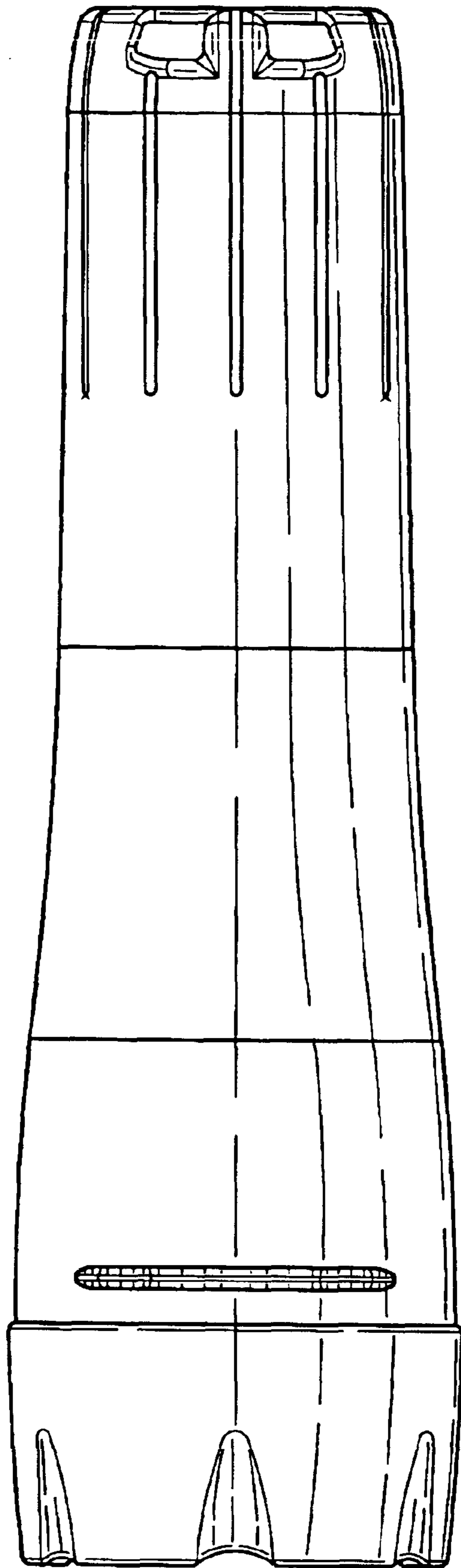
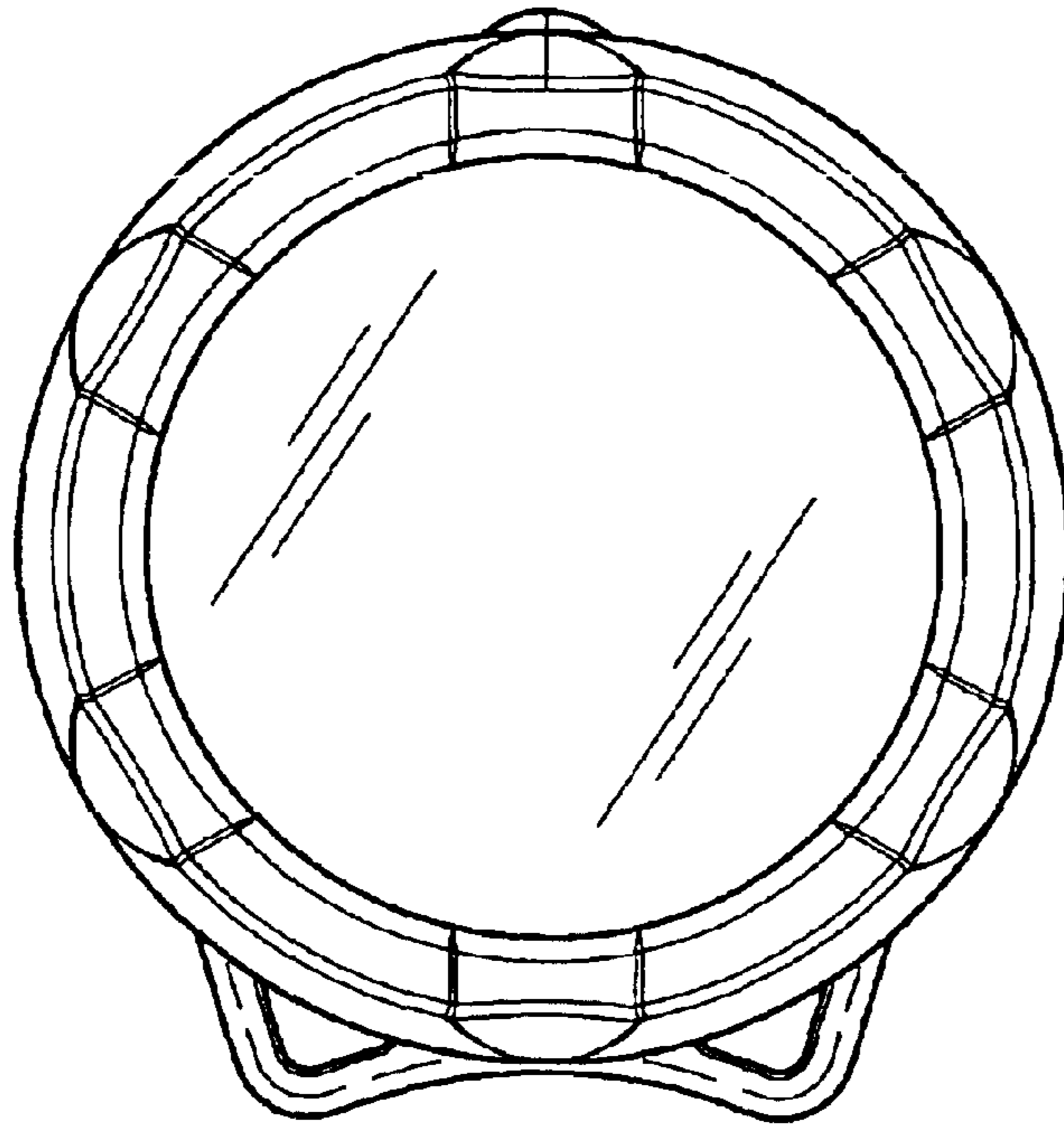
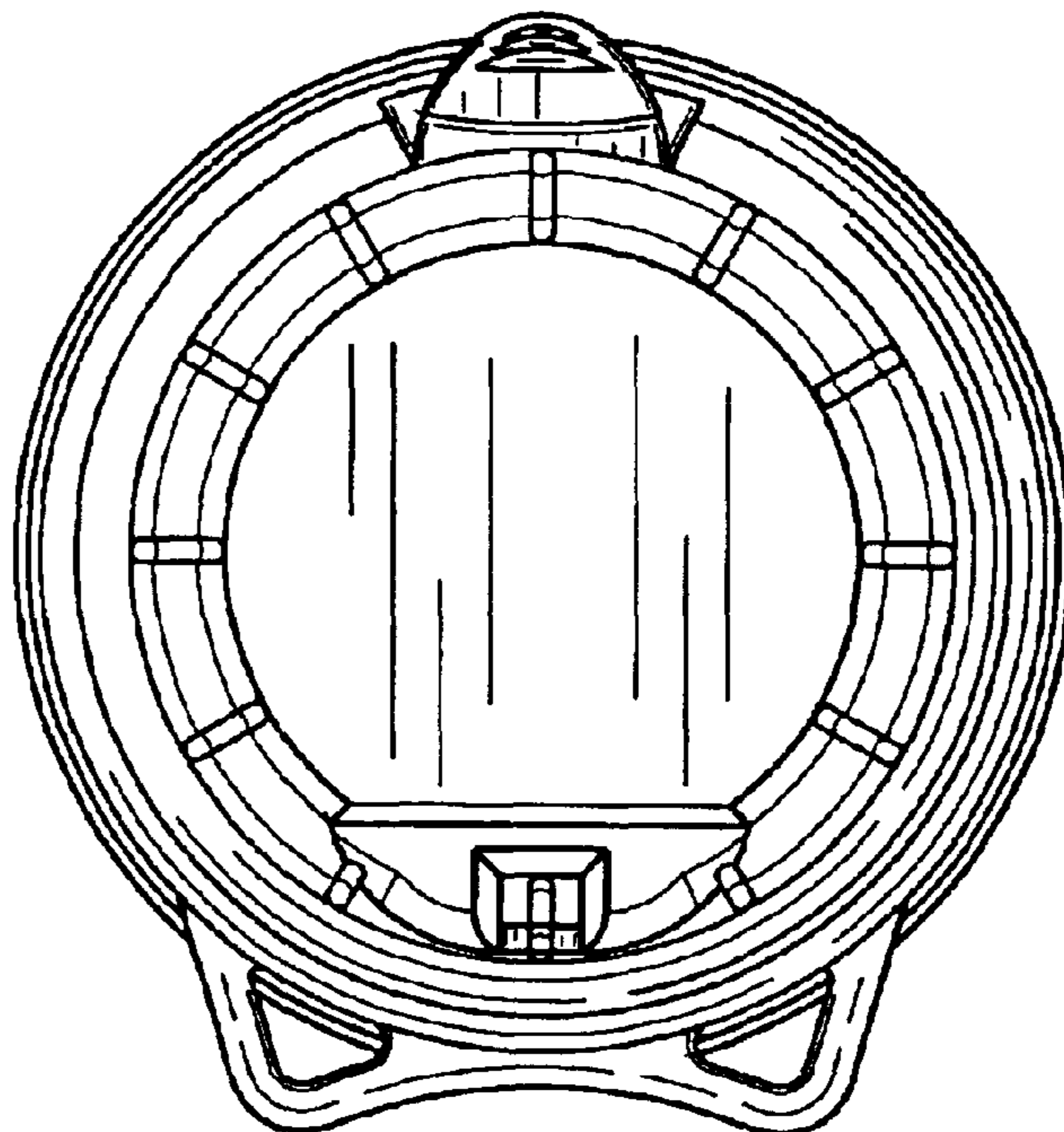


Fig. 4



*Fig. 5*



*Fig. 6*