

US00D493902S1

(12) **United States Design Patent** (10) **Patent No.:** **US D493,902 S**  
**Hoelzel et al.** (45) **Date of Patent:** **\*\* Aug. 3, 2004**

(54) **SURFACE CONFIGURATION OF A HEADLIGHT FOR A VEHICLE**

(75) Inventors: **Guenter Hoelzel**, Hochdorf (DE); **Jens Manske**, Yokohama (JP)

(73) Assignee: **DaimlerChrysler AG**, Stuttgart (DE)

(\*\*) Term: **14 Years**

(21) Appl. No.: **29/189,481**

(22) Filed: **Sep. 8, 2003**

(30) **Foreign Application Priority Data**

Mar. 7, 2003 (DE) ..... 4 03 01 894  
Mar. 7, 2003 (DE) ..... 4 03 01 893

(51) **LOC (7) Cl.** ..... **26-04**

(52) **U.S. Cl.** ..... **D26/28**

(58) **Field of Search** ..... D26/28-36; 362/61,  
362/80, 81, 82, 83, 83.4, 267, 269, 275,  
330-340

(56) **References Cited**

**U.S. PATENT DOCUMENTS**

D471,999 S \* 3/2003 Yoshida et al. .... D26/28  
D473,665 S \* 4/2003 Tanabe et al. .... D26/28  
D476,430 S \* 6/2003 Ikuma et al. .... D26/28  
D479,755 S \* 9/2003 Yanada ..... D26/28

\* cited by examiner

*Primary Examiner*—Marcus A. Jackson

(74) *Attorney, Agent, or Firm*—Crowell & Moring LLP

(57) **CLAIM**

The ornamental design for a surface configuration of a headlight for a vehicle, as shown and described.

**DESCRIPTION**

This application is related to co-pending Application Ser. No. 29/189,489, of the inventors, filed on even date herewith and entitled Surface Configuration of a Vehicle, Toy and/or Other Replicas.

FIG. 1 is a perspective view of a first embodiment of a surface configuration of a headlight for a vehicle according to our novel design;

FIG. 2 is a front view of the first embodiment of the surface configuration of a headlight for a vehicle according to our novel design;

FIG. 3 is a side view of the surface configuration of a headlight for a vehicle according to our novel design;

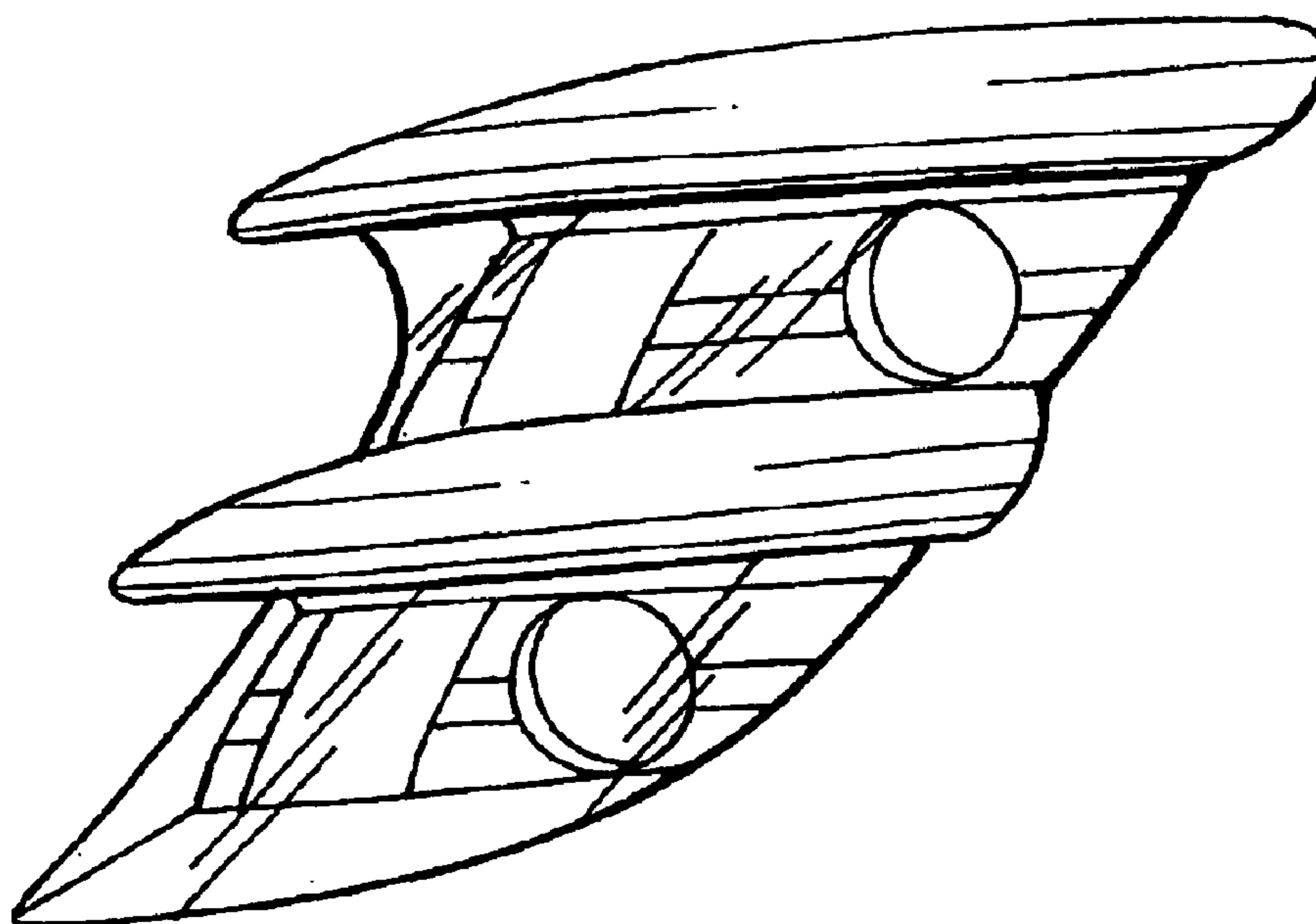
FIG. 4 is a perspective view of a second embodiment of the surface configuration of a headlight for a vehicle according to our novel design;

FIG. 5 is a front view of the second embodiment of the surface configuration of a headlight for a vehicle according to our novel design; and,

FIG. 6 is a side view of the second embodiment of the surface configuration of a headlight for a vehicle according to our novel design.

The broken lines are for illustrative purposes only and form no part of the claimed design.

**1 Claim, 2 Drawing Sheets**



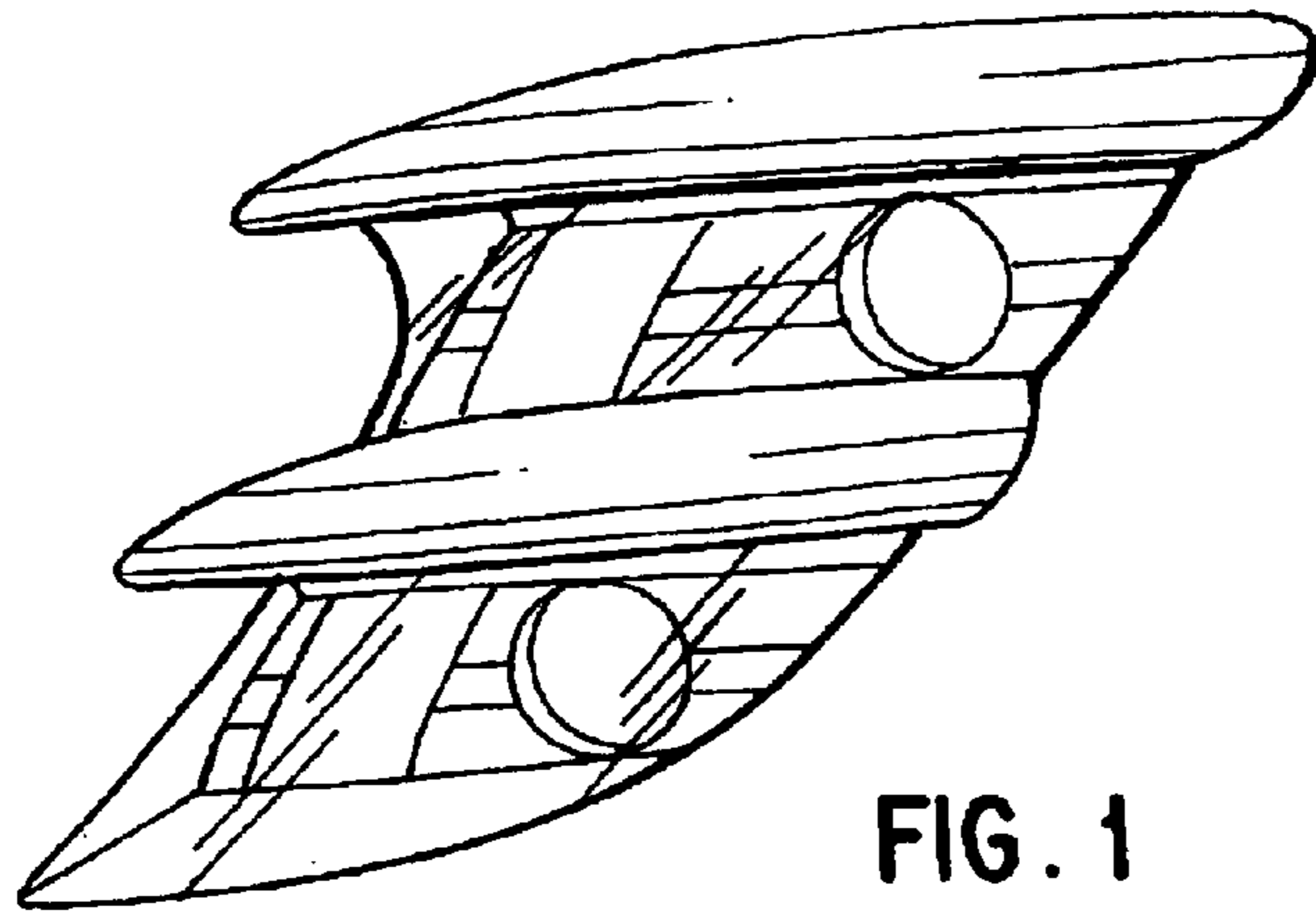


FIG. 1

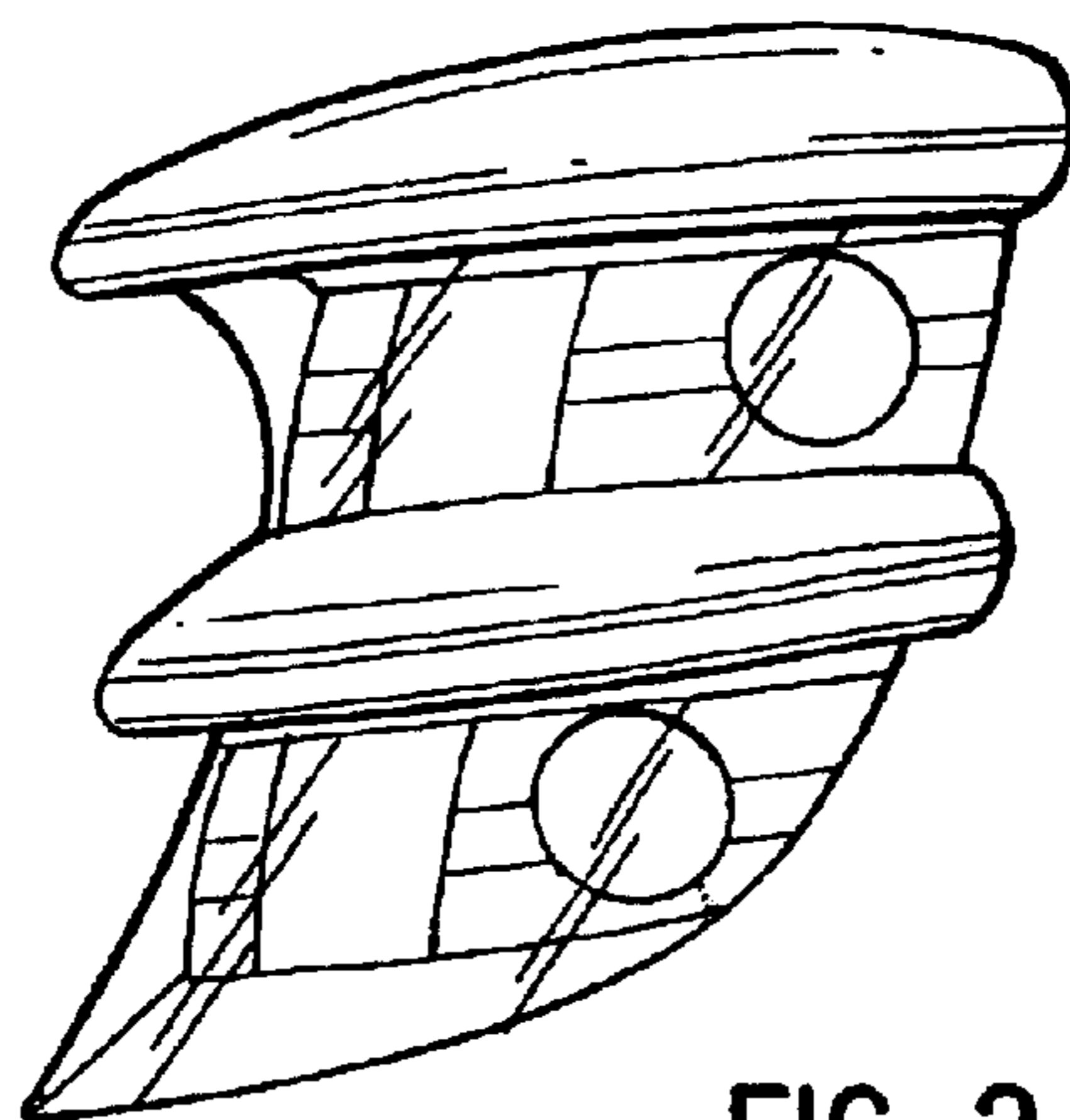


FIG. 2

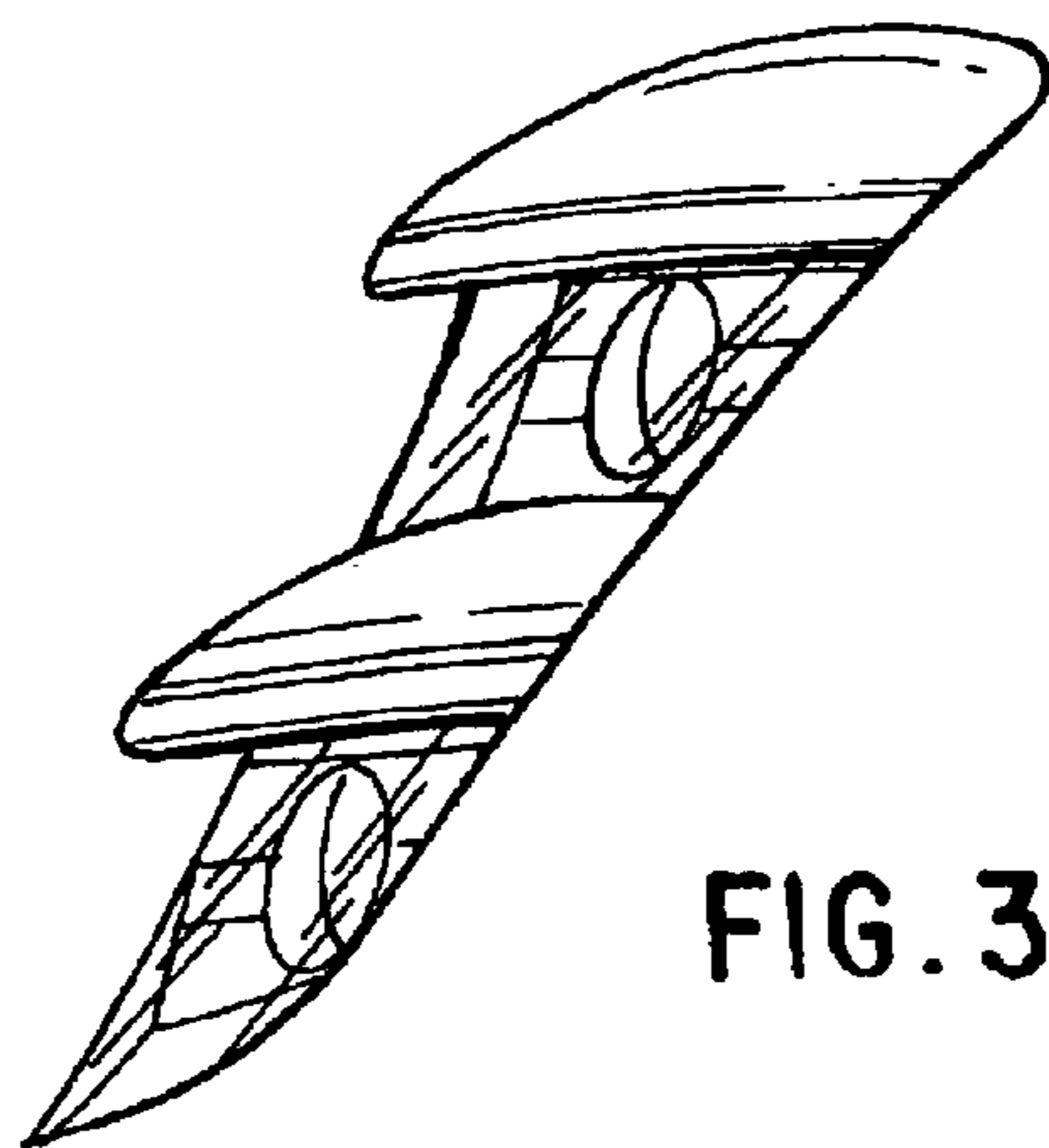


FIG. 3

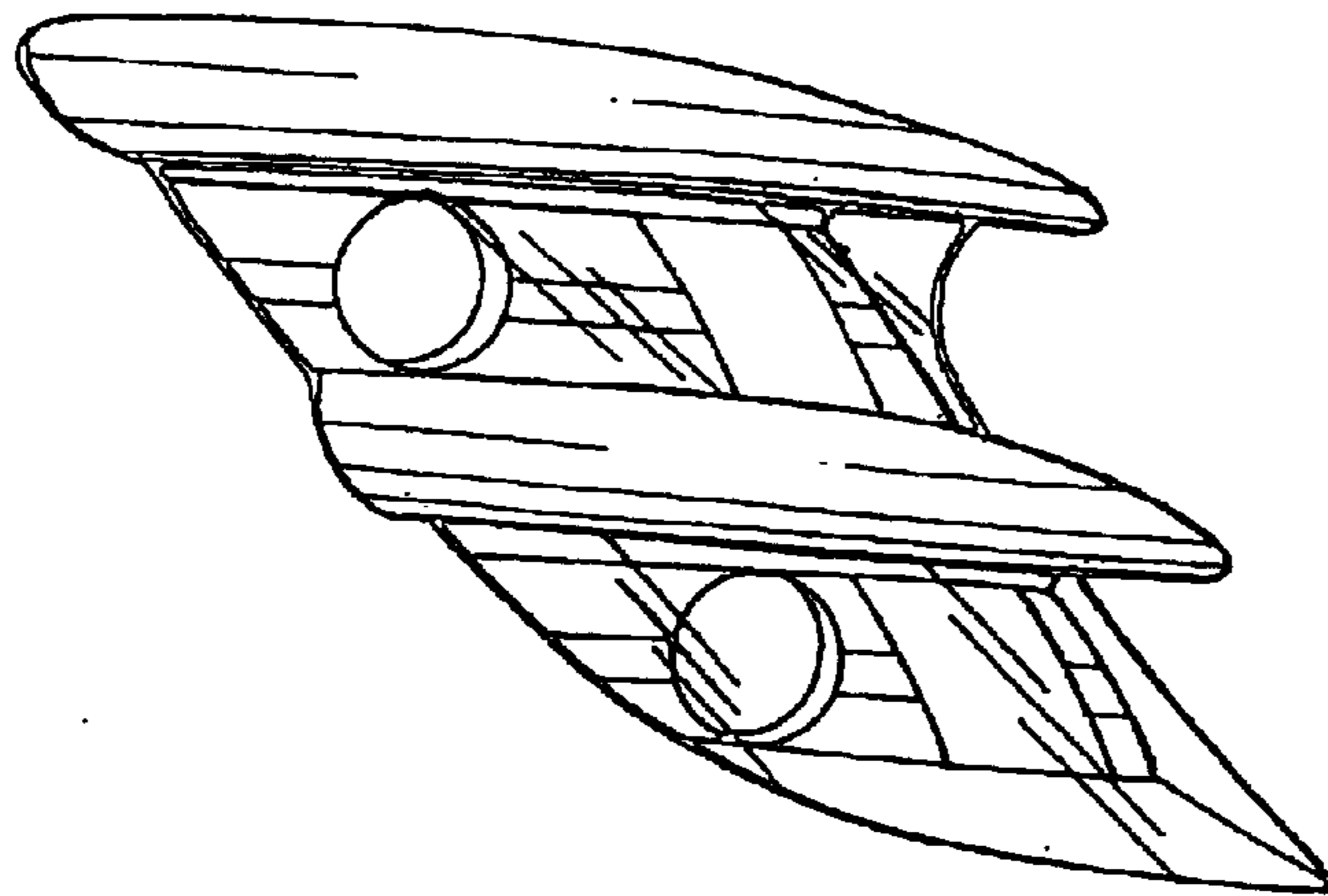


FIG. 4

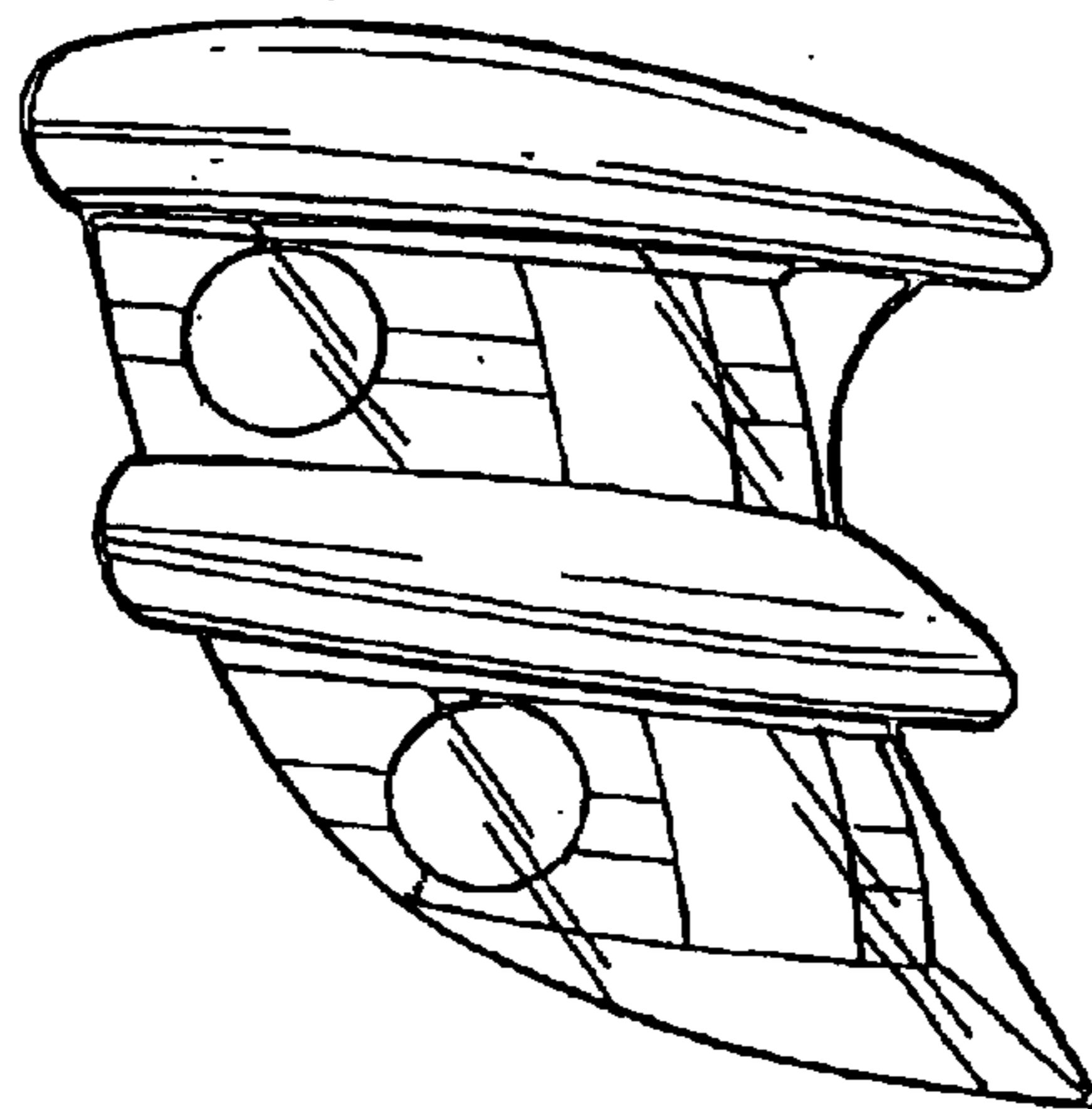


FIG. 5

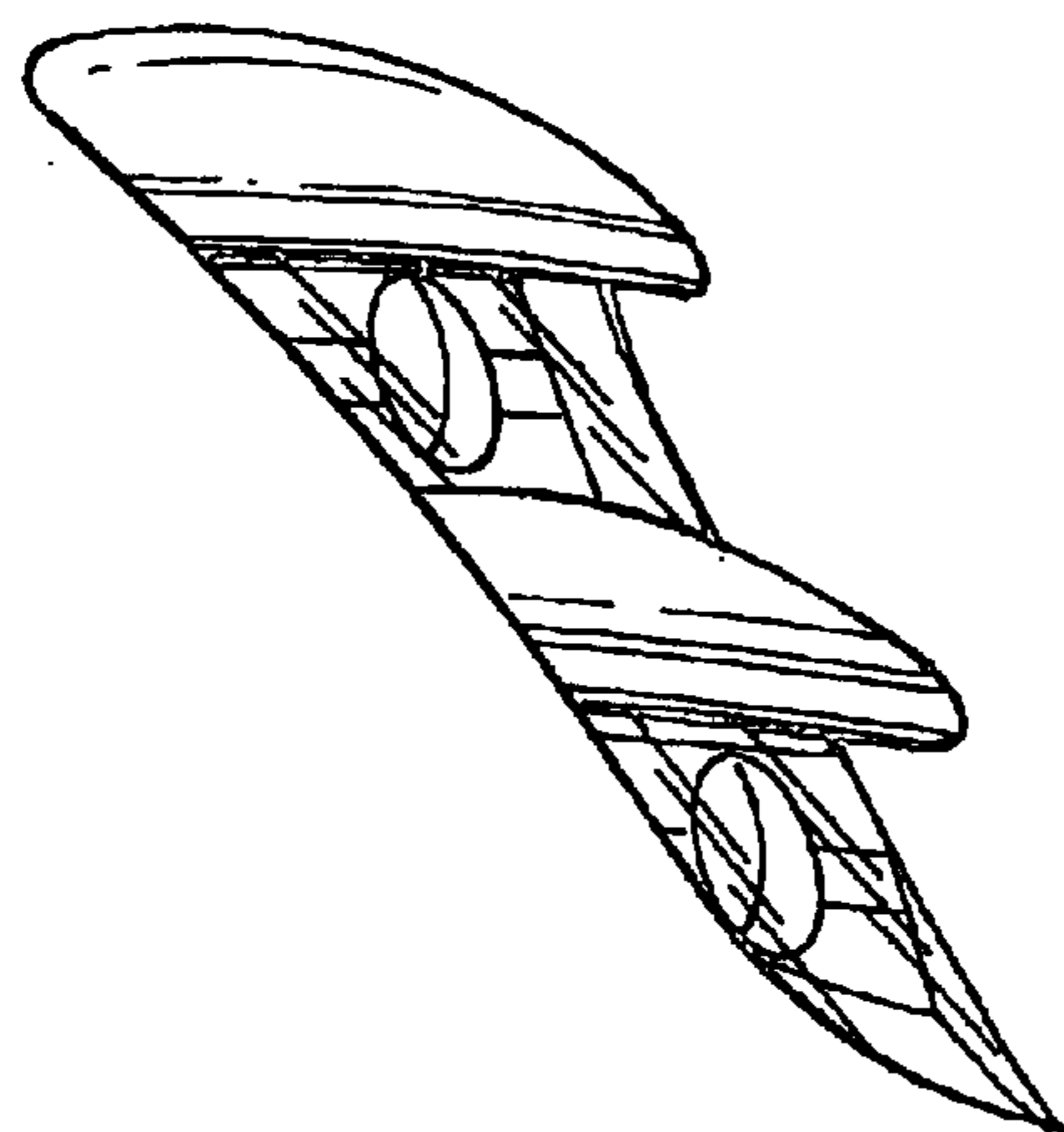


FIG. 6