

US00D493899S1

(12) **United States Design Patent**  
**Grodsky et al.**

(10) **Patent No.:** **US D493,899 S**

(45) **Date of Patent:** **\*\* Aug. 3, 2004**

(54) **NIGHT LIGHT SCENT DISPENSER**  
(75) Inventors: **Mark Grodsky**, Phoenix, AZ (US);  
**Steve Childs**, Scottsdale, AZ (US);  
**David Bowers**, Phoenix, AZ (US);  
**Kristie Baldwin**, Scottsdale, AZ (US)

D285,008 S \* 8/1986 Schwartz ..... D26/26  
D390,941 S \* 2/1998 Cessaroni et al. .... D23/367  
D430,659 S \* 9/2000 Zaragoza et al. .... D23/367  
D464,416 S \* 10/2002 von Dohlen et al. .... D23/366  
D476,070 S \* 6/2003 Basaganas ..... D23/367

\* cited by examiner

(73) Assignee: **Essential Brands, LLC**, Scottsdale, AZ (US)

*Primary Examiner*—Clare E. Heflin

(74) *Attorney, Agent, or Firm*—Cahill, von Hellens & Glazer P.L.C.

(\*\*) Term: **14 Years**

(57) **CLAIM**

(21) Appl. No.: **29/178,675**

The ornamental design for a night light scent dispenser, as shown and described.

(22) Filed: **Mar. 31, 2003**

**DESCRIPTION**

(51) **LOC (7) Cl.** ..... **26-05**

(52) **U.S. Cl.** ..... **D26/26; D23/366**

(58) **Field of Search** ..... D26/24, 26, 73;  
D23/367, 366; 362/95, 226, 282, 296, 311,  
355, 361

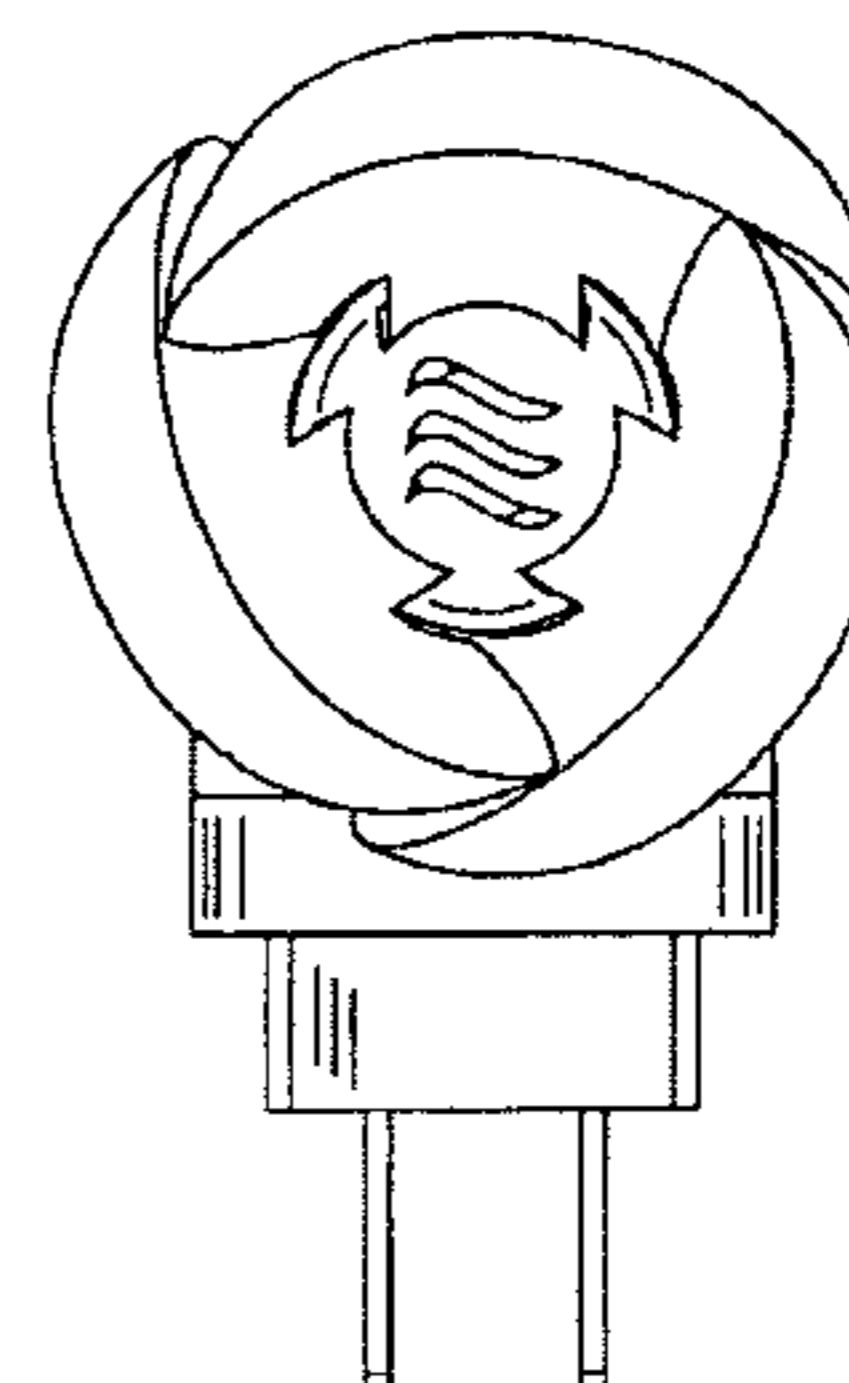
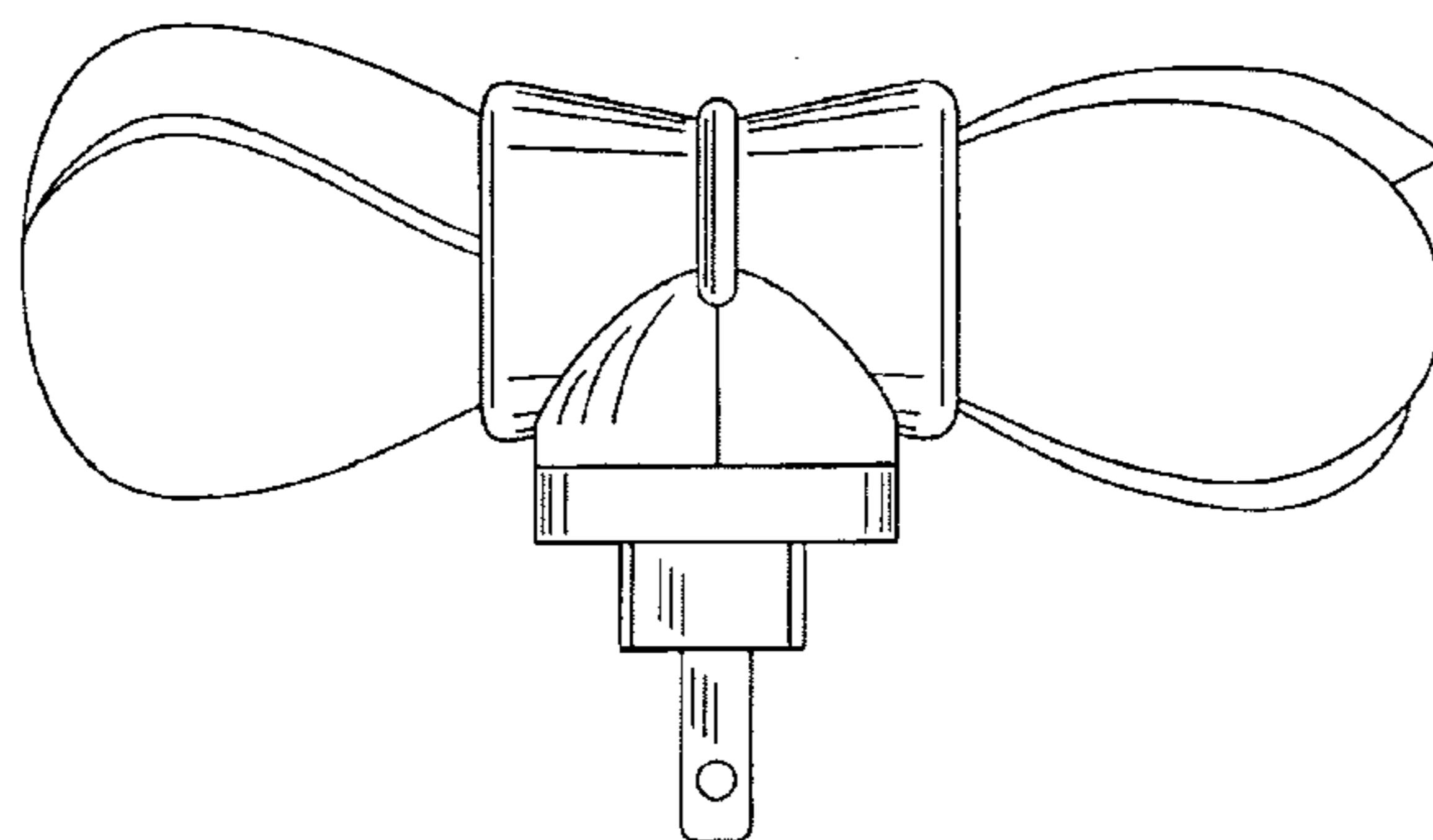
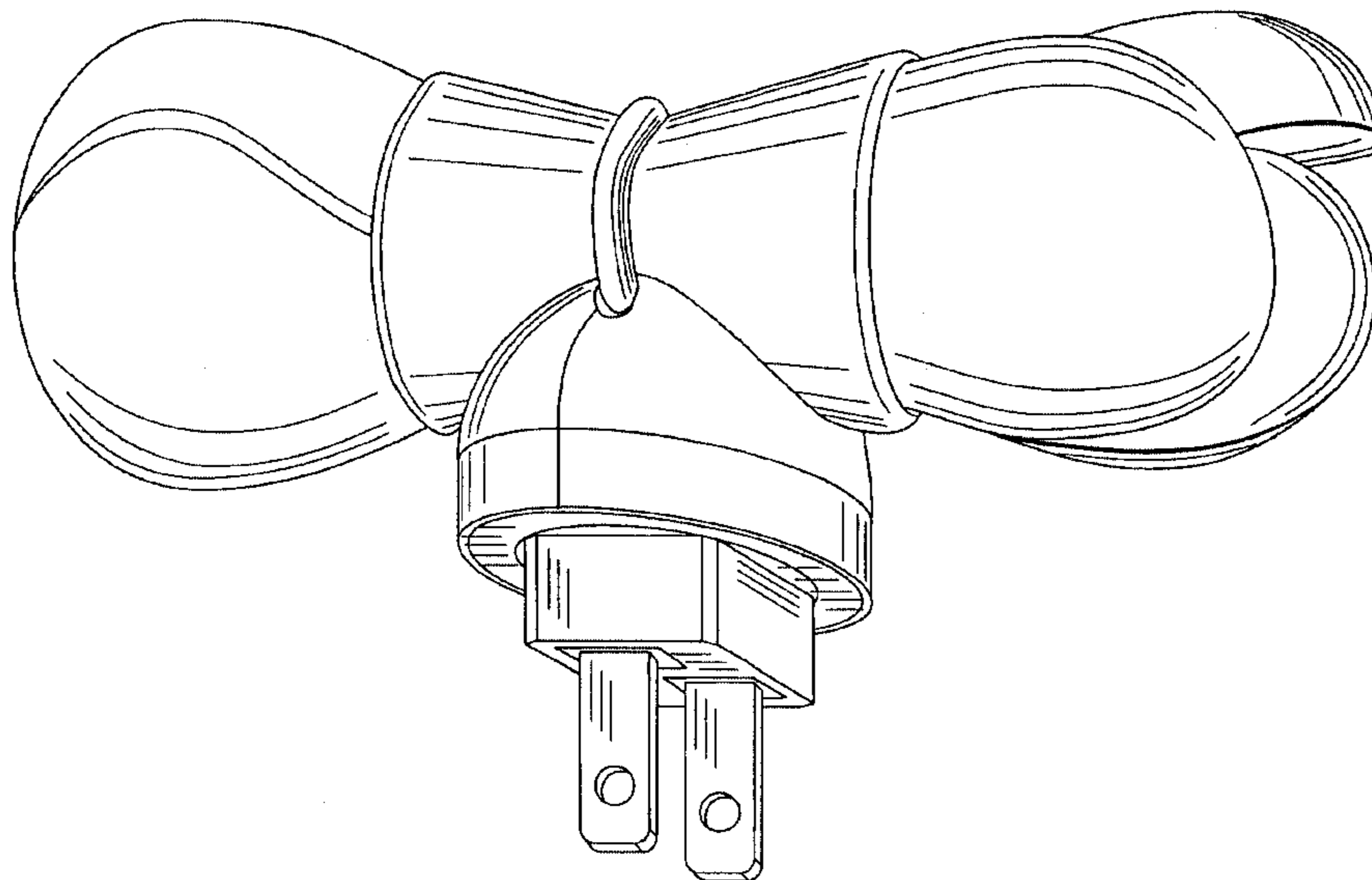
FIG. 1 is a right perspective view of a night light scent dispenser showing our new design; FIG. 2 is a right side elevational view thereof; FIG. 3 is a left side elevational view thereof; FIG. 4 is a front elevational view thereof; FIG. 5 is a rear elevational view thereof; FIG. 6 is a top plan view thereof; and, FIG. 7 is a bottom plan view thereof.

(56) **References Cited**

**U.S. PATENT DOCUMENTS**

23,824 A \* 5/1859 Somerville ..... 450/156  
D162,679 S \* 3/1951 Munnecke ..... D23/366  
2,892,074 A \* 9/1959 O'Morrow ..... 362/294

**1 Claim, 4 Drawing Sheets**



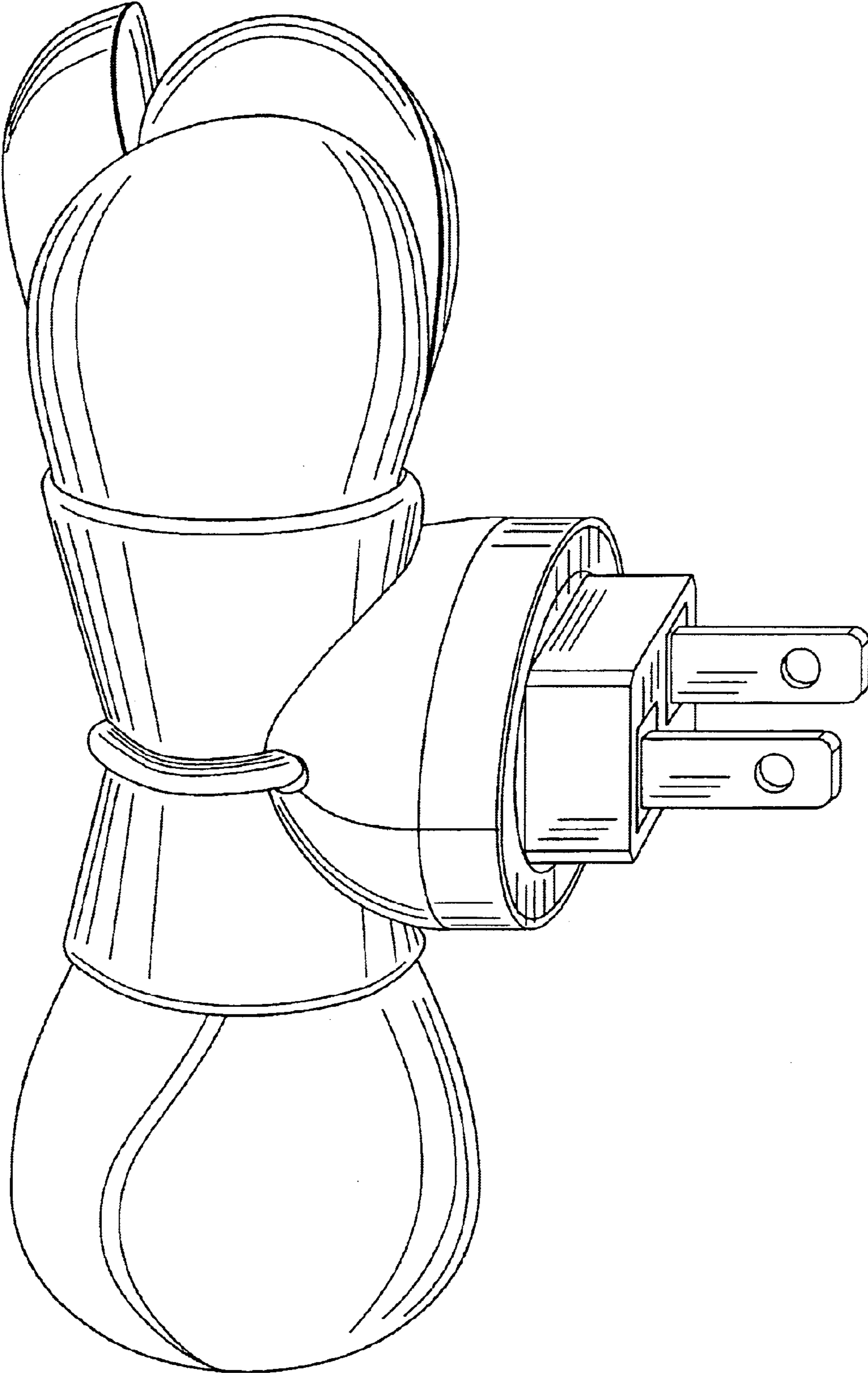


FIG. 1

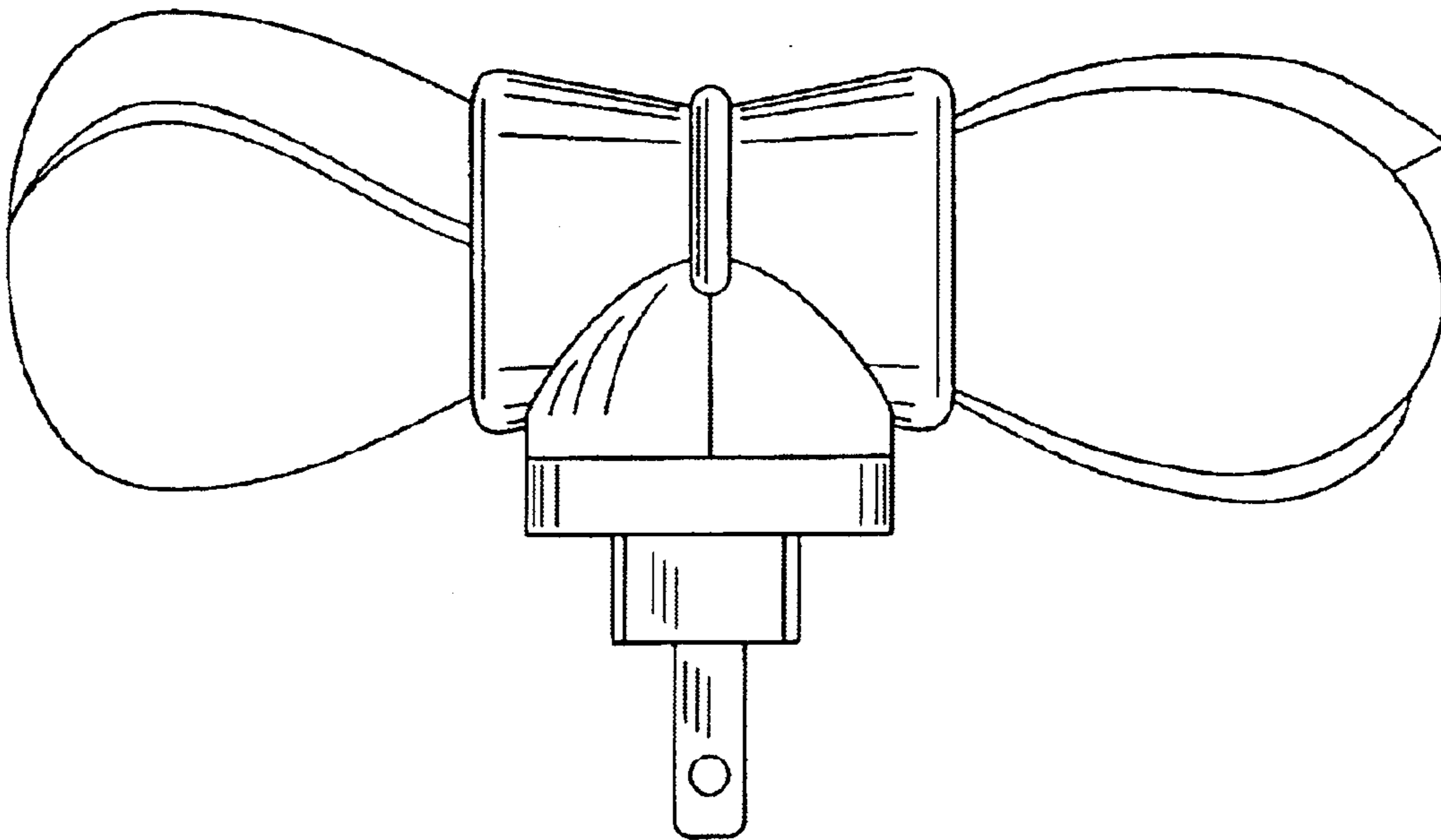


FIG. 2

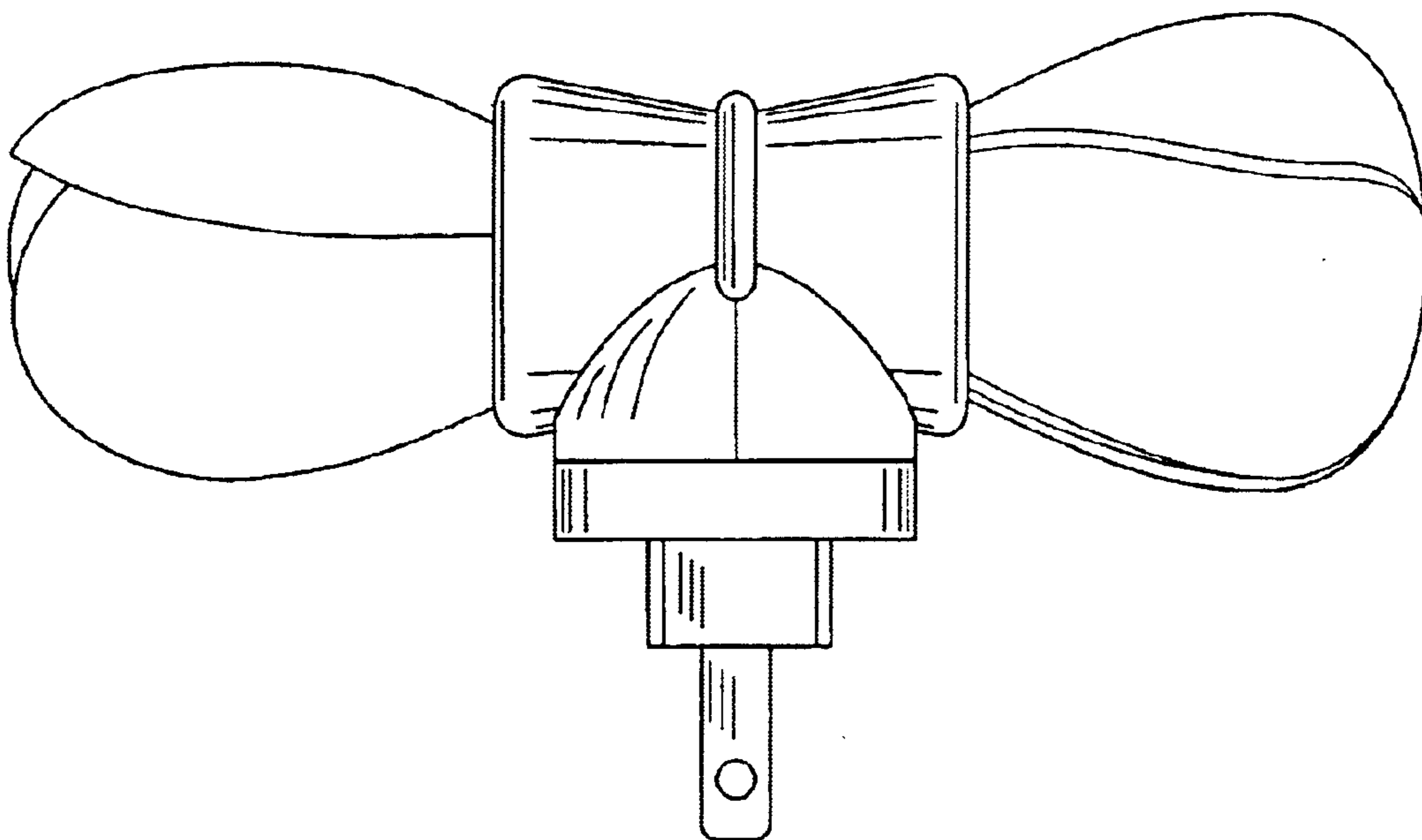


FIG. 3

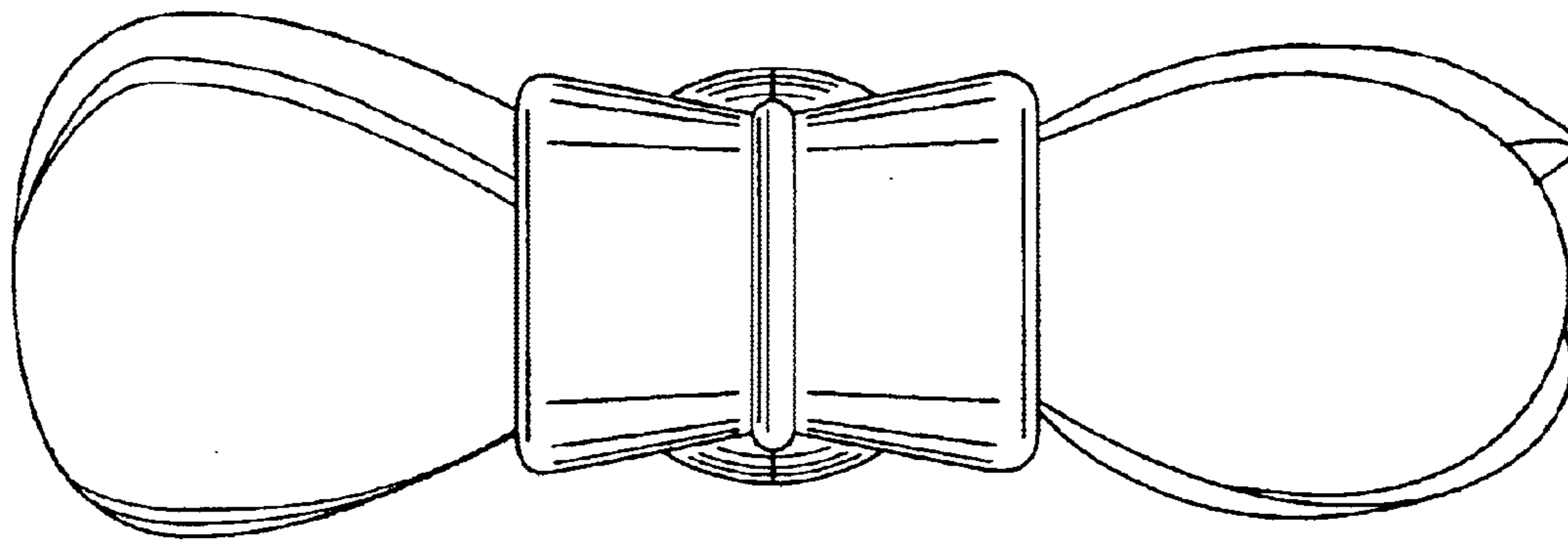


FIG. 4

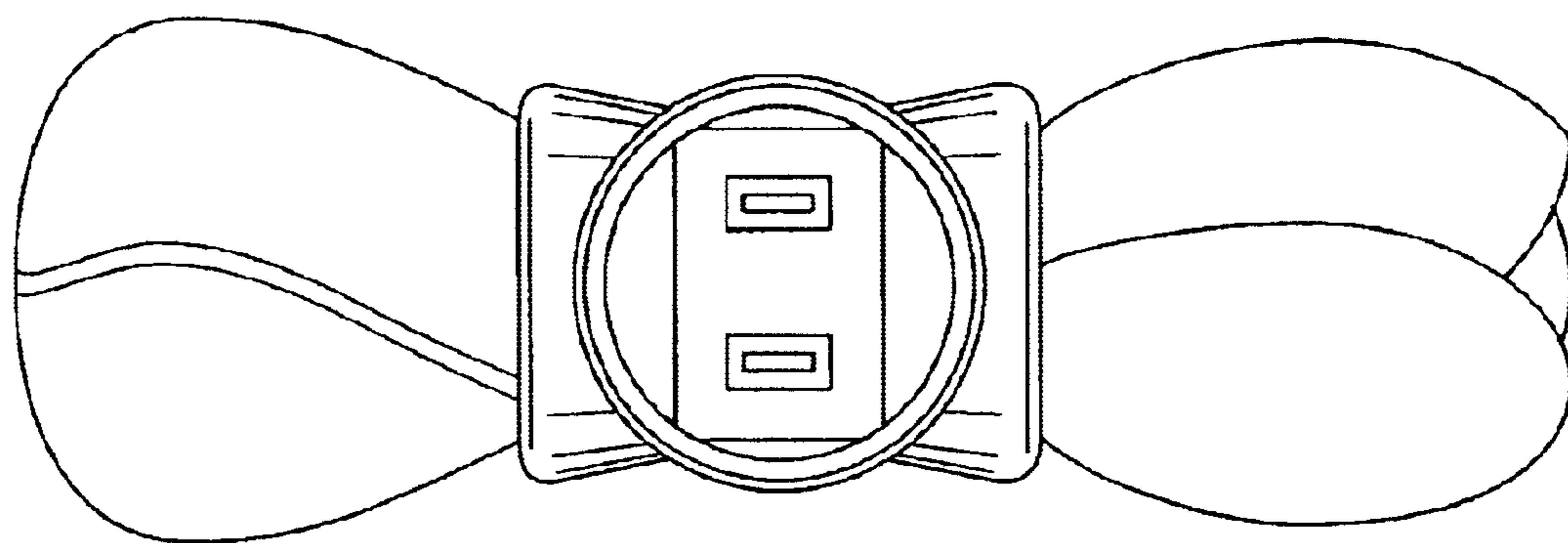
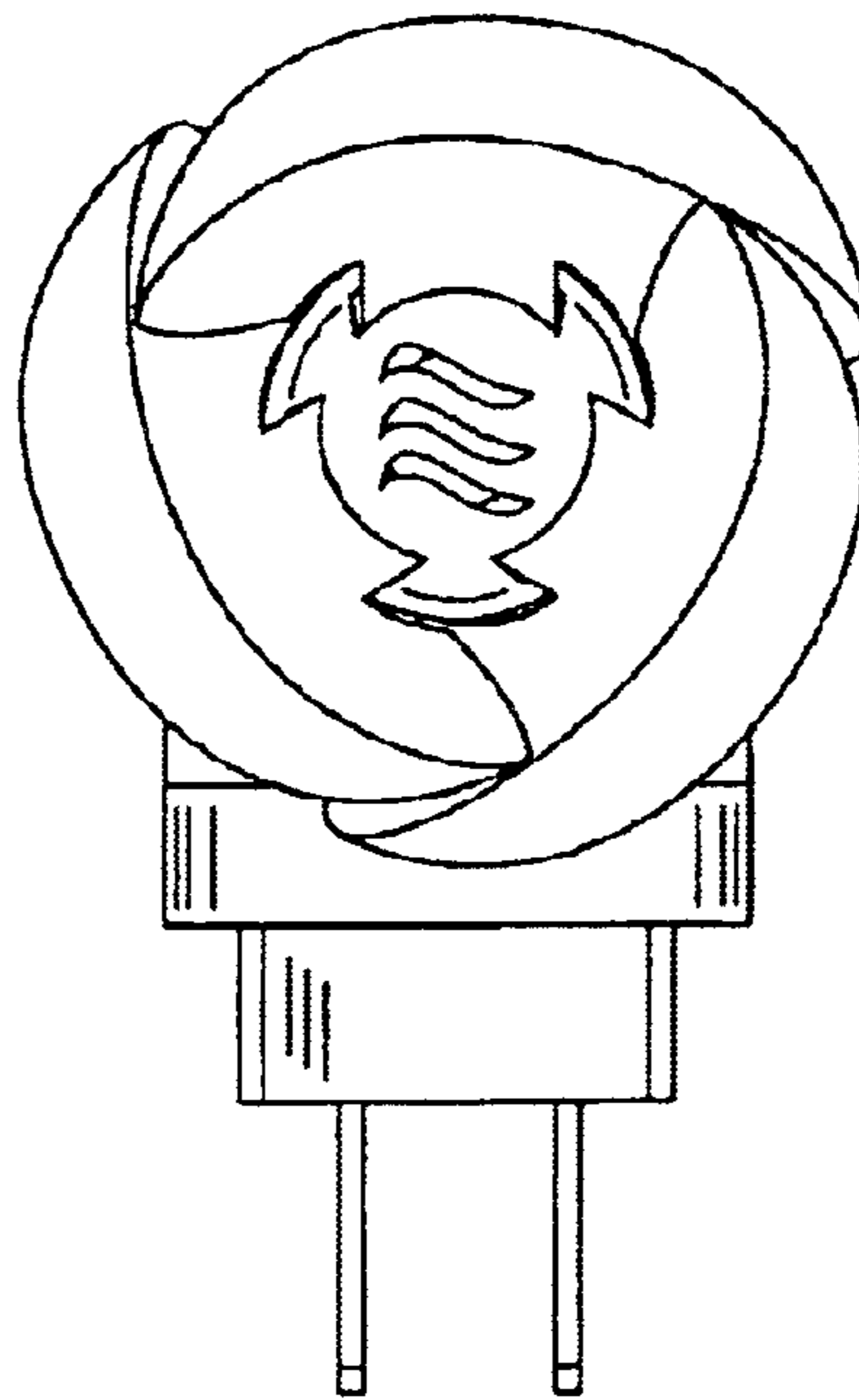
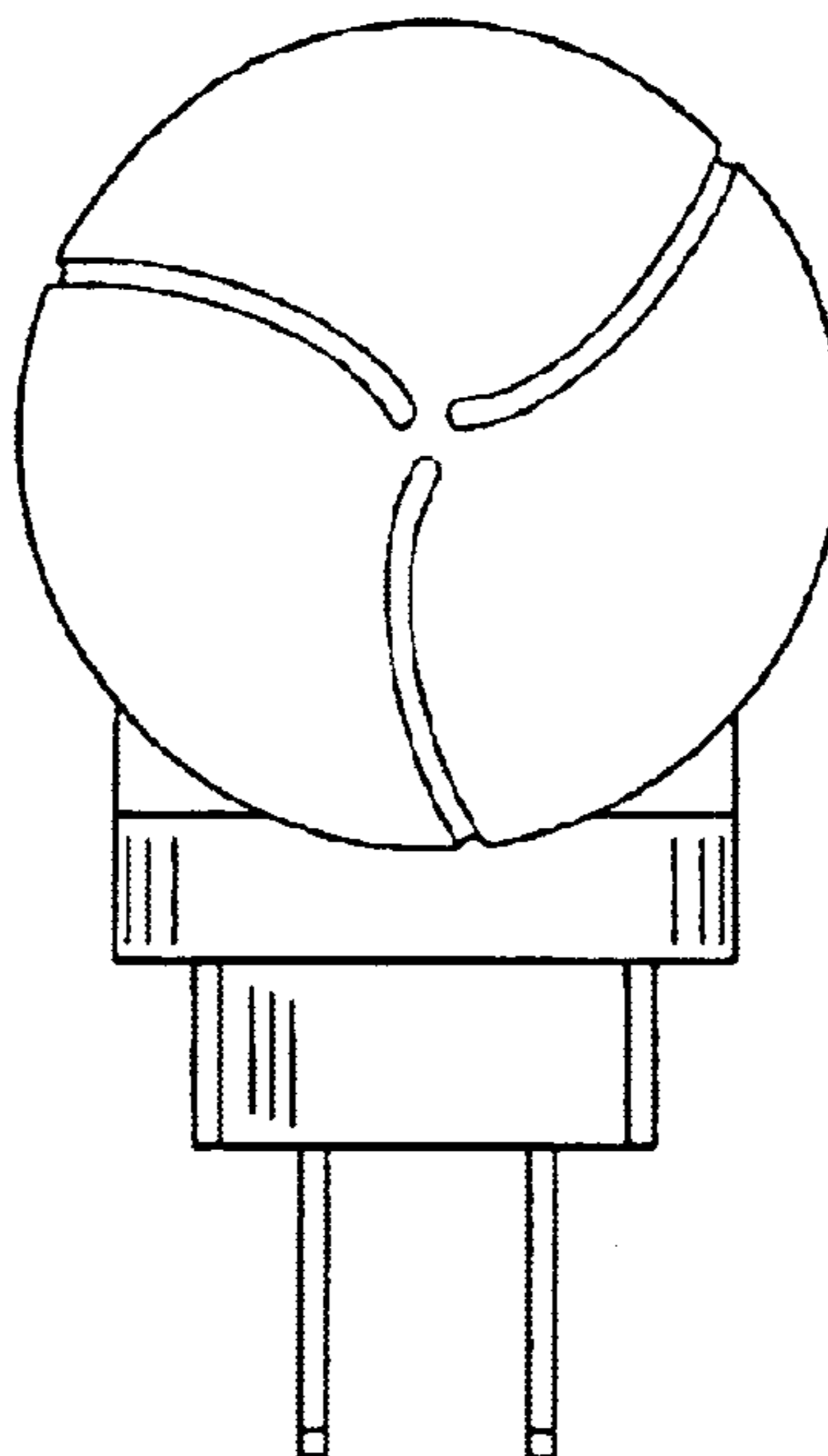


FIG. 5



**FIG. 6**



**FIG. 7**