

US00D493898S1

(12) **United States Design Patent**
Kim

(10) **Patent No.: US D493,898 S**

(45) **Date of Patent: ** Aug. 3, 2004**

(54) **COMPACT FLUORESCENT LAMP**

D479,753 S * 9/2003 Kakuno et al. D26/3

(75) Inventor: **Jong-Hwooi Kim**, Seoul (KR)

* cited by examiner

(73) Assignee: **Susung Industrial Company Ltd.**,
Seoul (KR)

Primary Examiner—Marcus A. Jackson

(74) *Attorney, Agent, or Firm*—Greenblum & Bernstein,
P.L.C.

(**) Term: **14 Years**

(57) **CLAIM**

(21) Appl. No.: **29/191,376**

I claim the ornamental design for a compact fluorescent lamp, as shown and described.

(22) Filed: **Oct. 8, 2003**

DESCRIPTION

(51) **LOC (7) Cl.** **26-06**

(52) **U.S. Cl.** **D26/3**

(58) **Field of Search** D26/1-4; 313/313,
313/315, 318, 493; 315/53, 56, 57, 58

FIG. 1 is a front perspective view of an embodiment of a compact fluorescent lamp, showing my new design;

FIG. 2 is a front elevational view of the embodiment of FIG. 1;

FIG. 3 is a left side elevational view of the embodiment of FIG. 1;

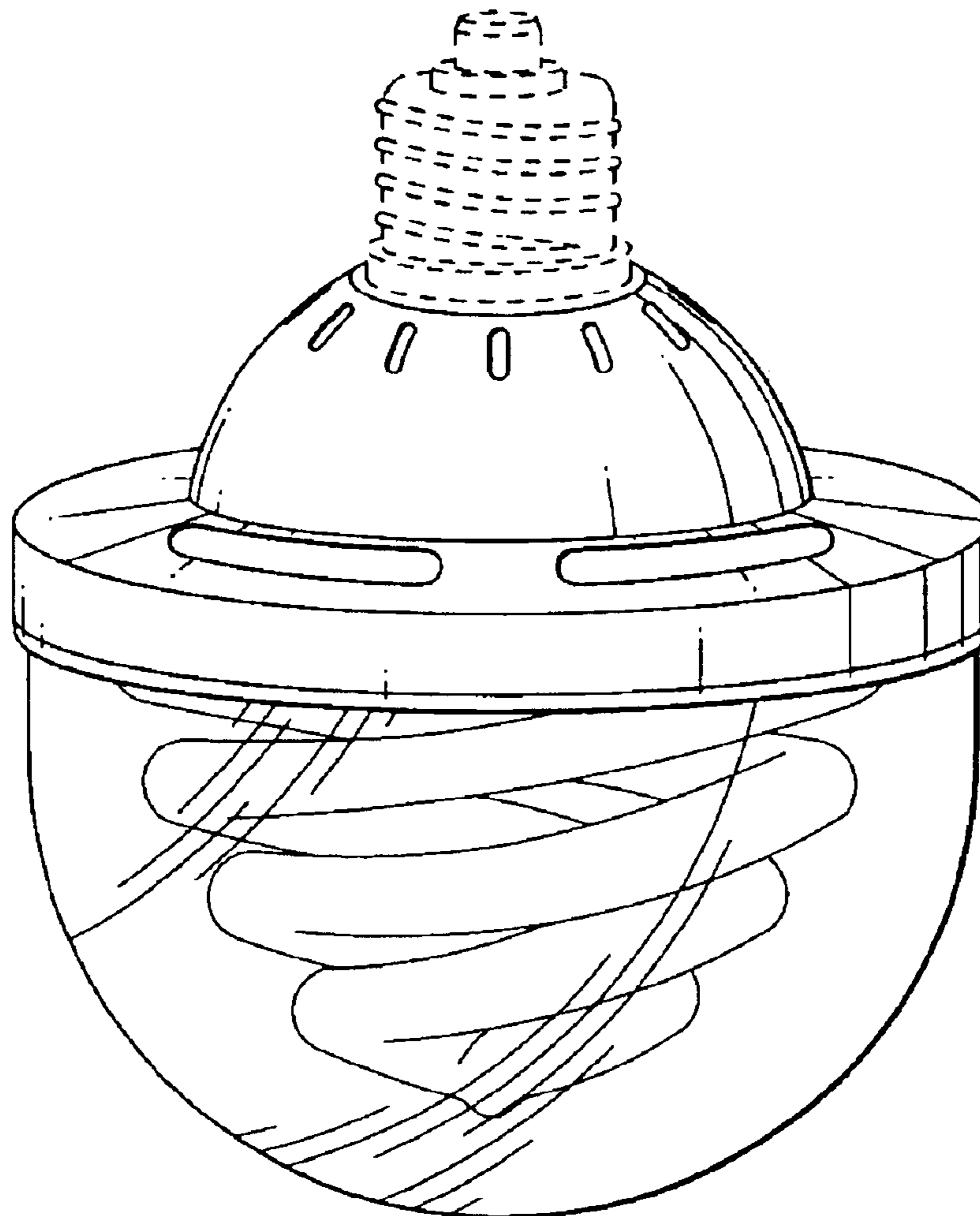
FIG. 4 is a top plan view of the embodiment of FIG. 1; and,
FIG. 5 is bottom plan view of the embodiment of FIG. 1.

(56) **References Cited**

U.S. PATENT DOCUMENTS

D368,144 S * 3/1996 Holzer D26/3
D462,464 S * 9/2002 Yeh D26/3

1 Claim, 5 Drawing Sheets



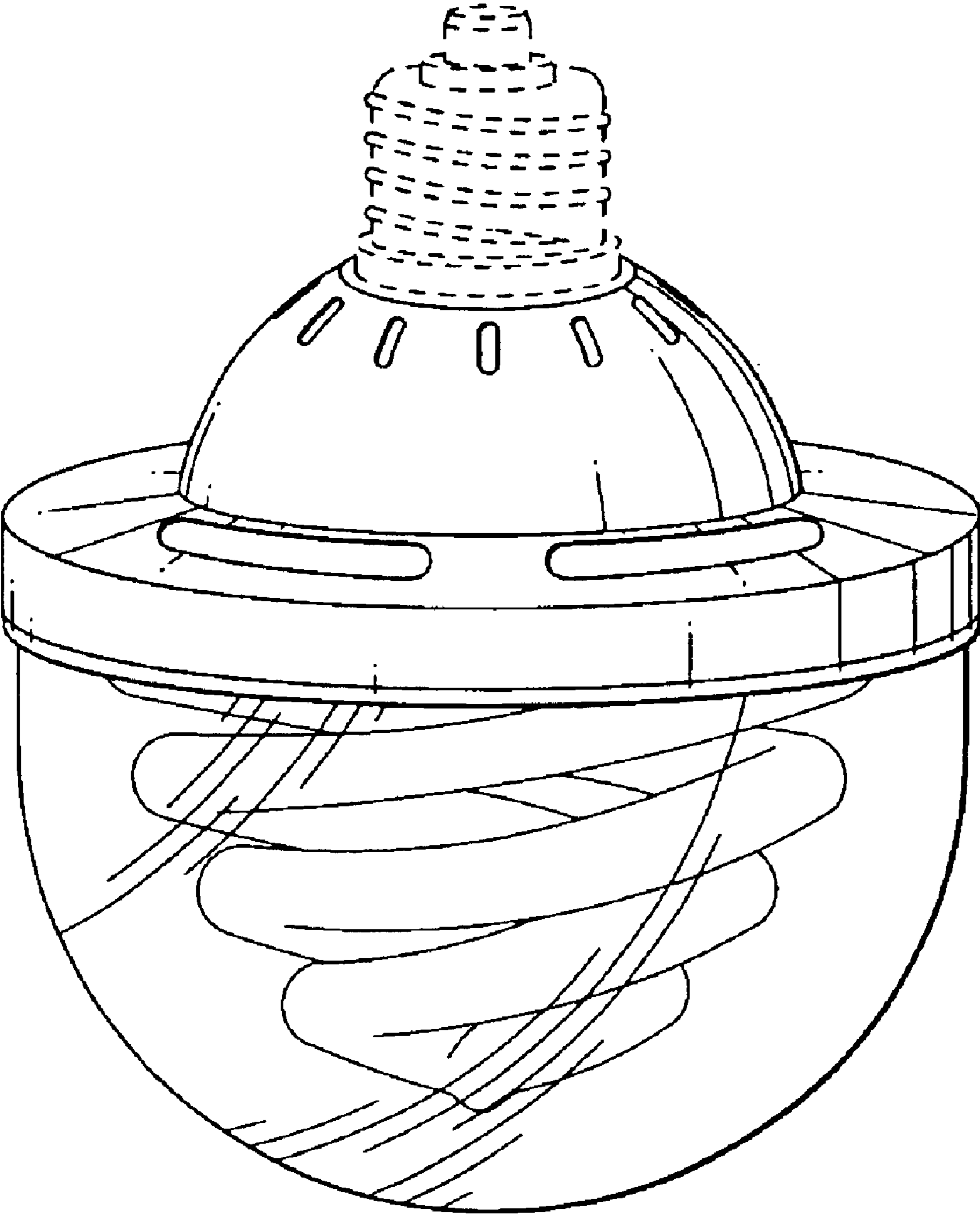


FIG. 1

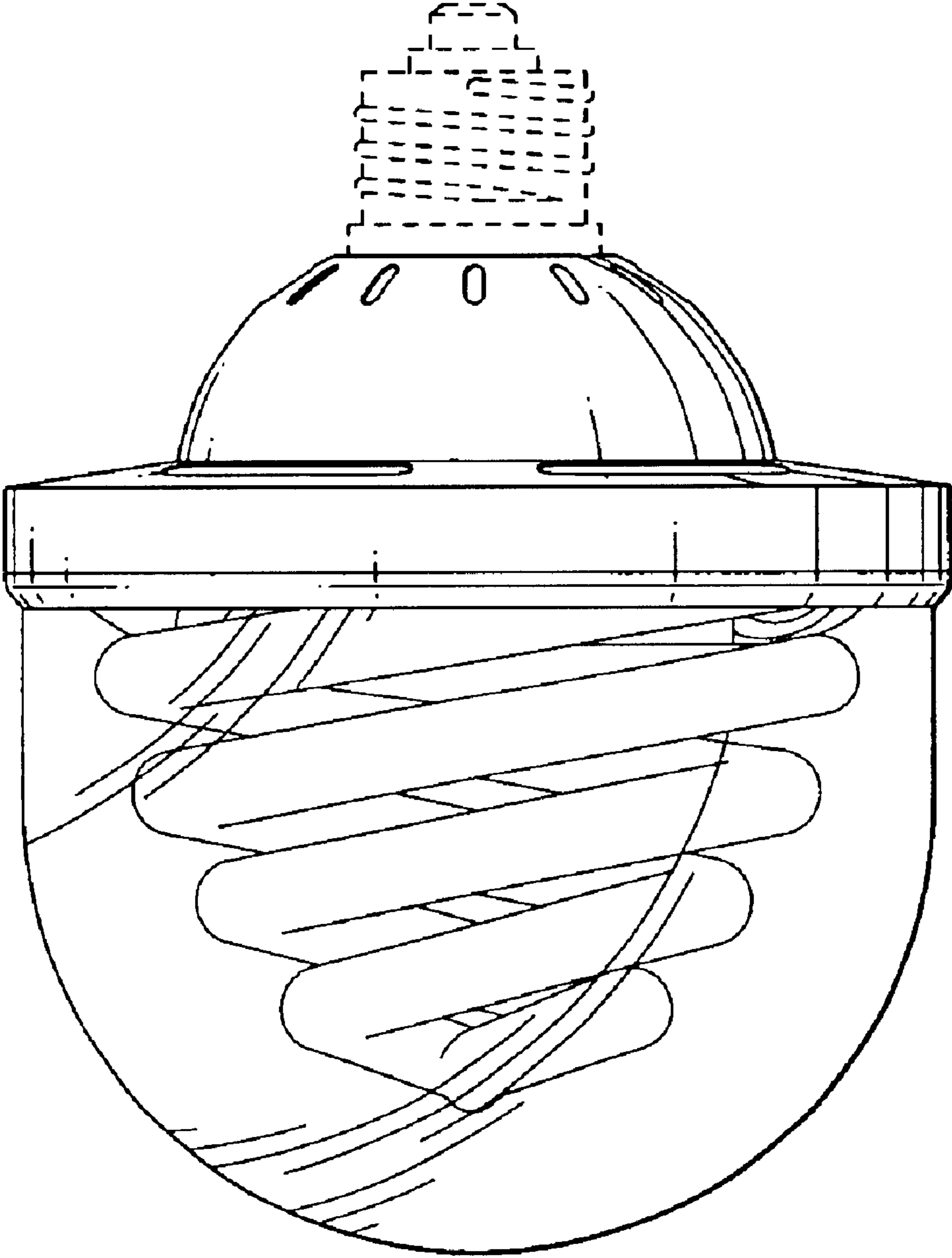


FIG. 2

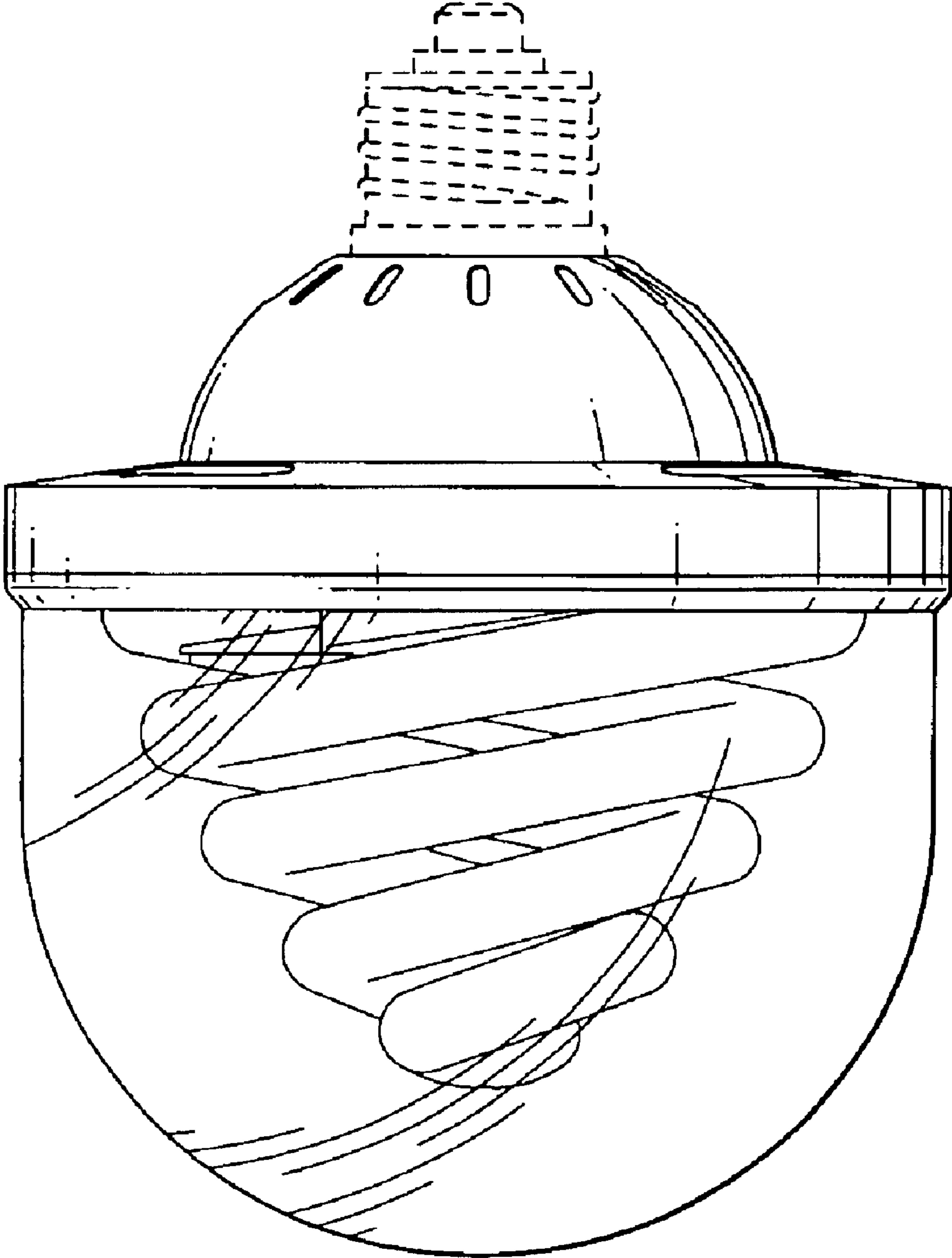


FIG. 3

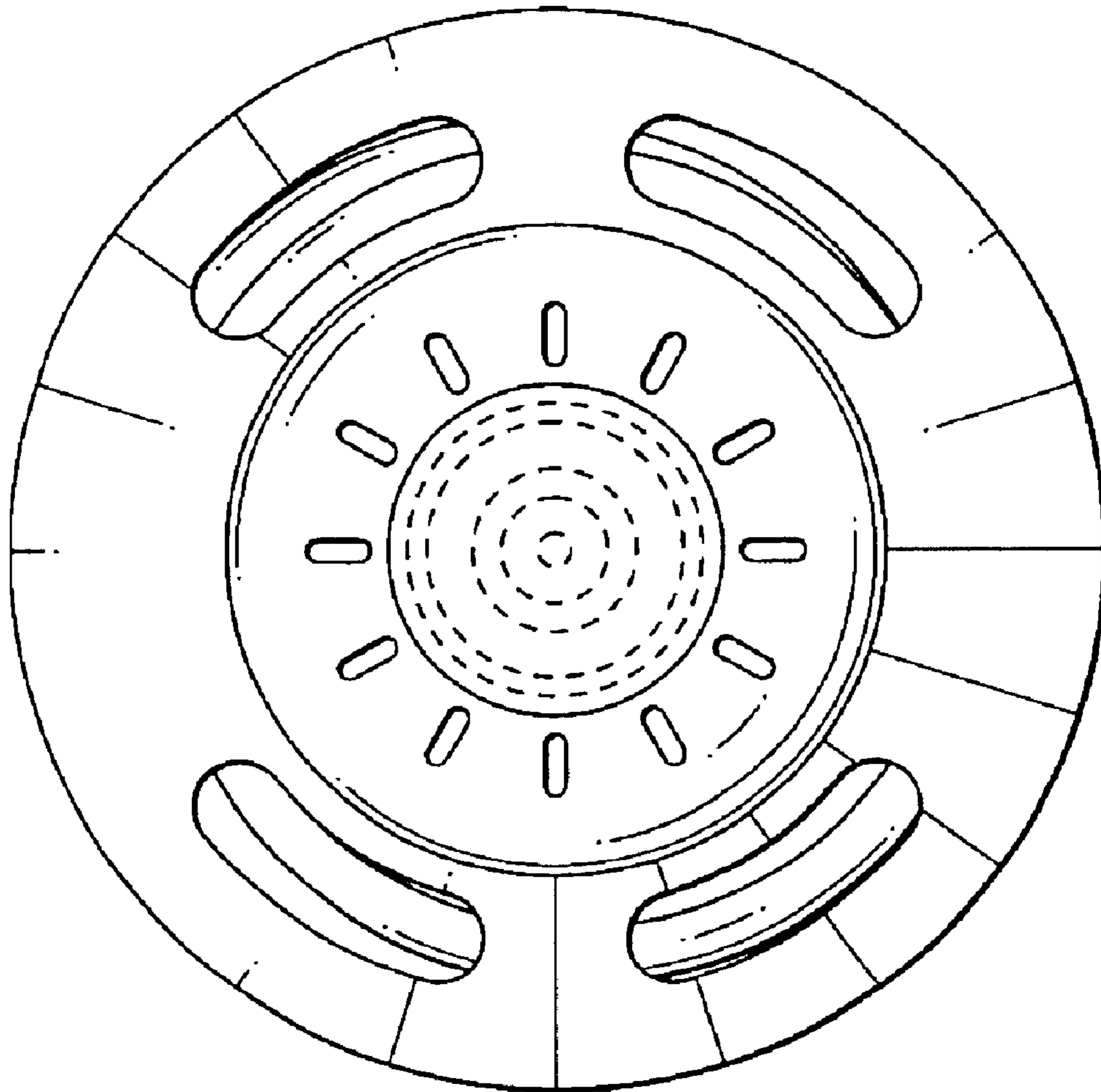


FIG. 4

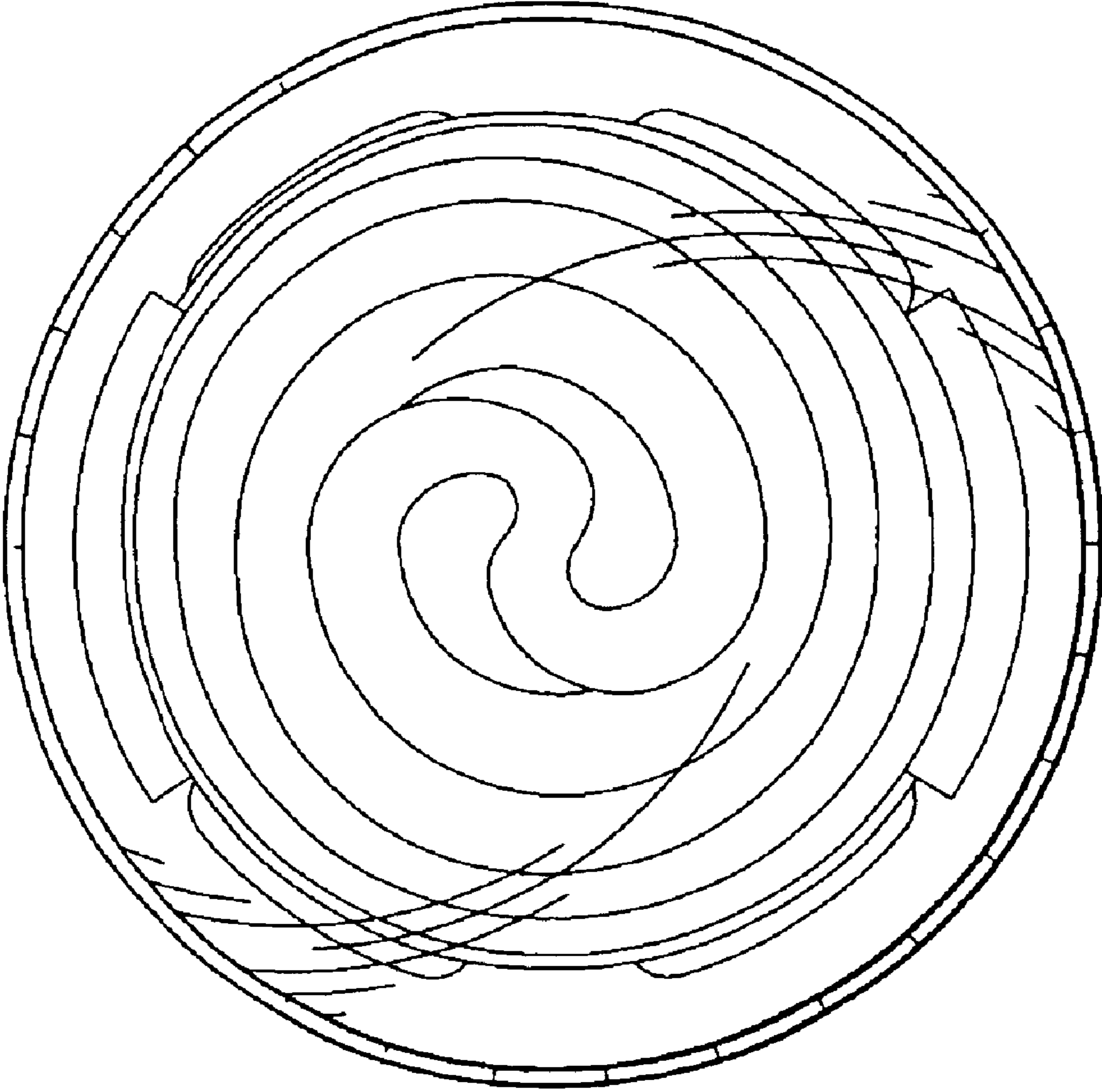


FIG. 5