

US00D493897S1

(12) **United States Design Patent**
Campacci

(10) **Patent No.:** **US D493,897 S**

(45) **Date of Patent:** **** Aug. 3, 2004**

(54) **WALL CLADDING INSULATION BOARD**

D462,130 S * 8/2002 Kotler D25/163

(75) **Inventor:** **Gary Campacci, Woodbridge (CA)**

* cited by examiner

(73) **Assignee:** **Durock Alfacing International Limited, Woodbridge (CA)**

Primary Examiner—Doris Clark

(**) **Term:** **14 Years**

(57) **CLAIM**

An ornamental design for a wall cladding insulation board, as shown and described.

(21) **Appl. No.:** **29/188,662**

DESCRIPTION

(22) **Filed:** **Aug. 22, 2003**

(51) **LOC (7) Cl.** **25-01**

(52) **U.S. Cl.** **D25/163; D25/158**

(58) **Field of Search** **D25/138, 163, D25/157, 158; 52/506.01, 507, 508**

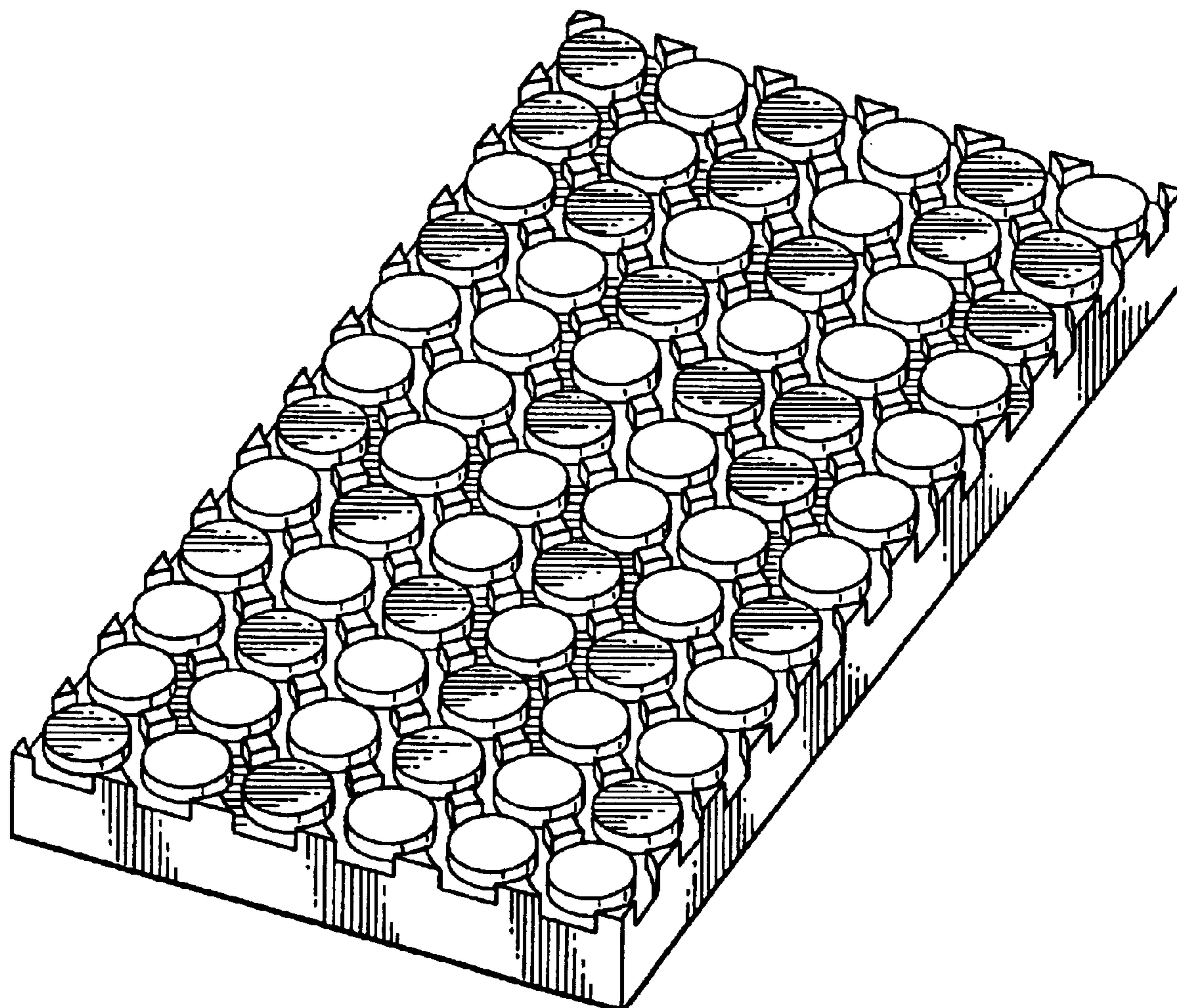
FIG. 1 is a perspective of the wall cladding insulation board; FIG. 2 is a top plan view of the wall cladding insulation board; FIG. 3 is a side elevational view of the wall cladding insulation board; FIG. 4 is an end elevational view of the wall cladding insulation board; and, FIG. 5 is a bottom plan view of the rear side of the wall cladding insulation board.

(56) **References Cited**

U.S. PATENT DOCUMENTS

5,564,243 A * 10/1996 Kroll et al. 52/506.1
D455,503 S * 4/2002 Heltzer D25/158

1 Claim, 2 Drawing Sheets



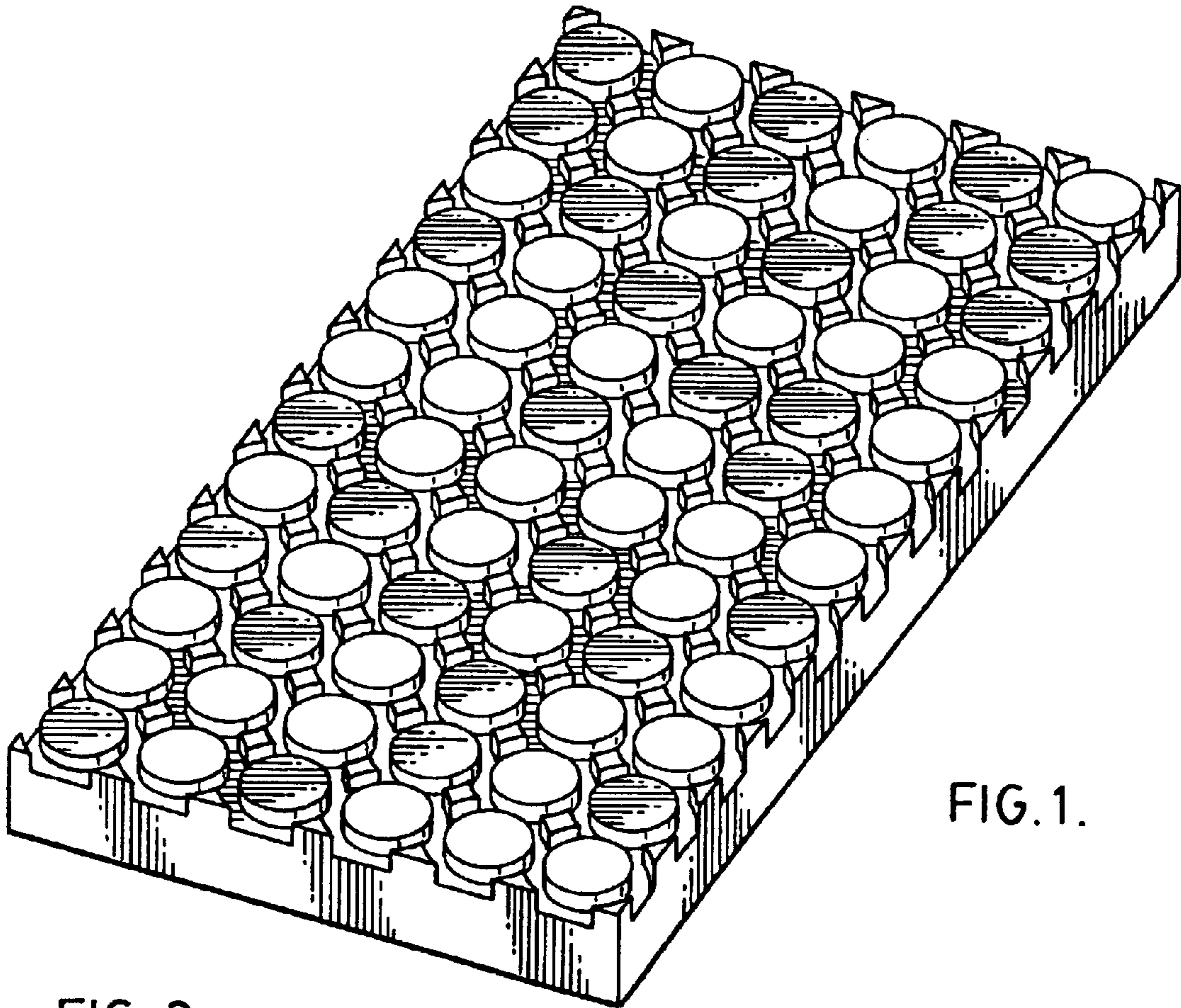


FIG. 1.

FIG. 2.

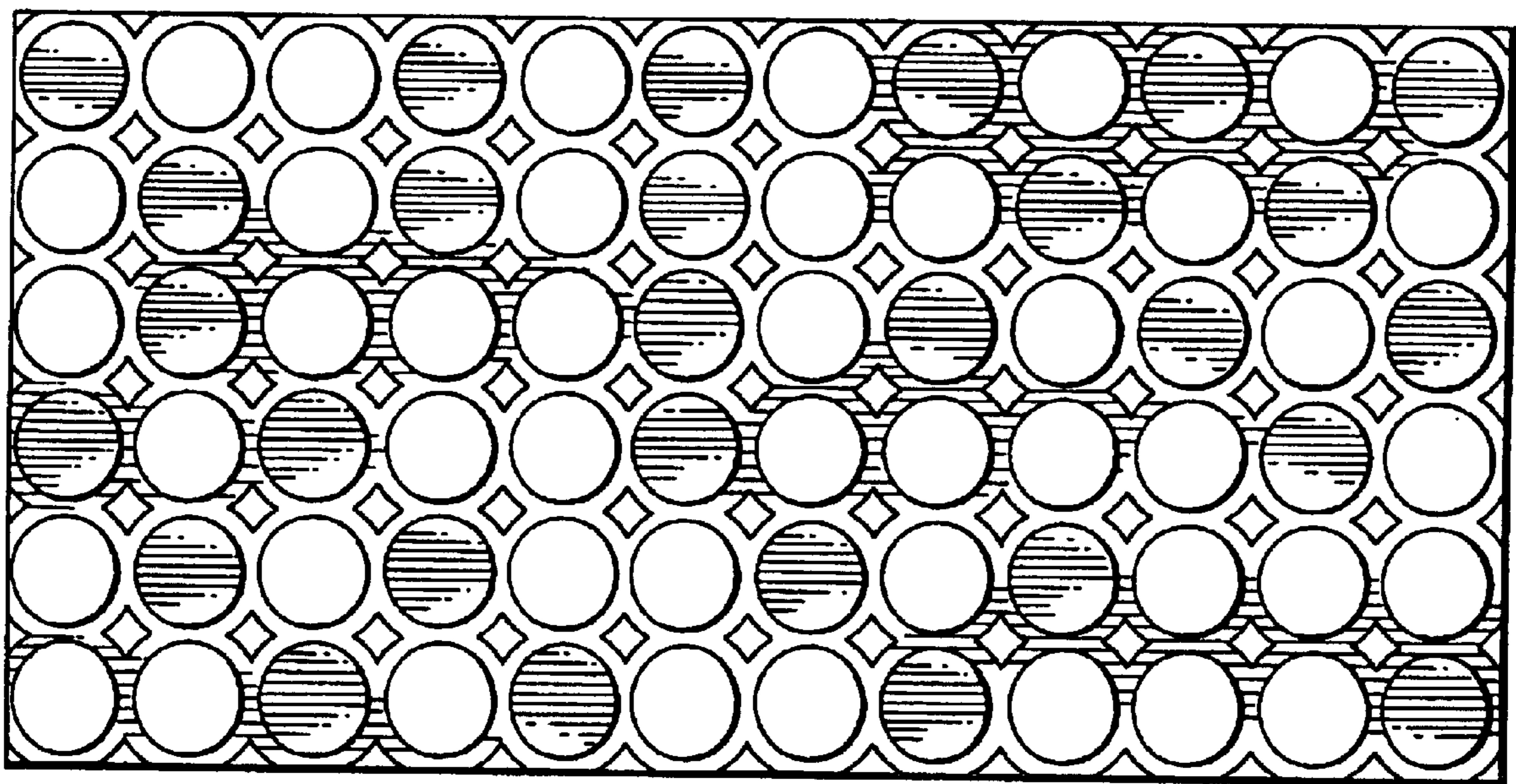




FIG. 3.



FIG. 4.

FIG. 5.

