

US00D493894S1

(12) **United States Design Patent**
Wickland

(10) **Patent No.:** **US D493,894 S**

(45) **Date of Patent:** **** Aug. 3, 2004**

(54) **WINDOW COMPONENT EXTRUSION**

(75) **Inventor:** **Timothy T. Wickland**, Rockford, IL
(US)

(73) **Assignee:** **Mikron Industries, Inc.**, Kent, WA
(US)

(**) **Term:** **14 Years**

(21) **Appl. No.:** **29/189,056**

(22) **Filed:** **Aug. 27, 2003**

(51) **LOC (7) Cl.** **25-01**

(52) **U.S. Cl.** **D25/124**

(58) **Field of Search** D25/124, 125,
D25/60, 52; 52/204.1, 204.51, 230.3, 205.1,
202, 730.5, 731, 738, 732, 204.5; 49/DIG. 2,
504, 505, 407, 408

(56) **References Cited**

U.S. PATENT DOCUMENTS

D471,648 S * 3/2003 Chaney et al. D25/124

OTHER PUBLICATIONS

Timothy T. Wickland, Mikron Part No. 7619, First Drawn:
Sep. 5, 1997, First Sold: Feb. 6, 1998.

* cited by examiner

Primary Examiner—Doris Clark

(74) *Attorney, Agent, or Firm*—Michael J. Folise, Esq.

(57) **CLAIM**

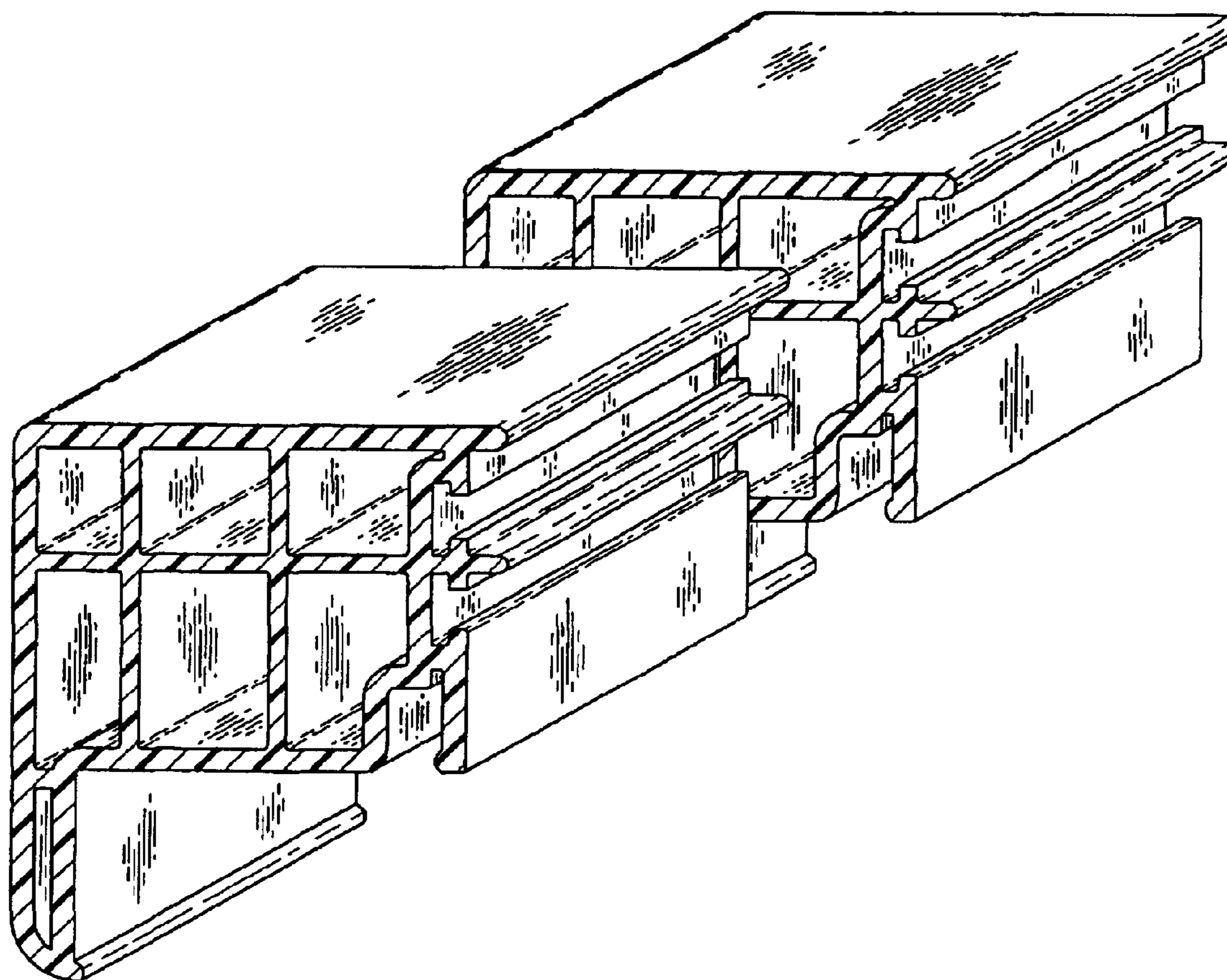
The ornamental design for a window component extrusion,
as shown and described.

DESCRIPTION

FIG. 1 is a top right perspective view of a window compo-
nent extrusion which is broken in the center indicating
indefinite length; and,

FIG. 2 is a bottom left perspective view of the window
component extrusion shown in FIG. 1.

1 Claim, 1 Drawing Sheet



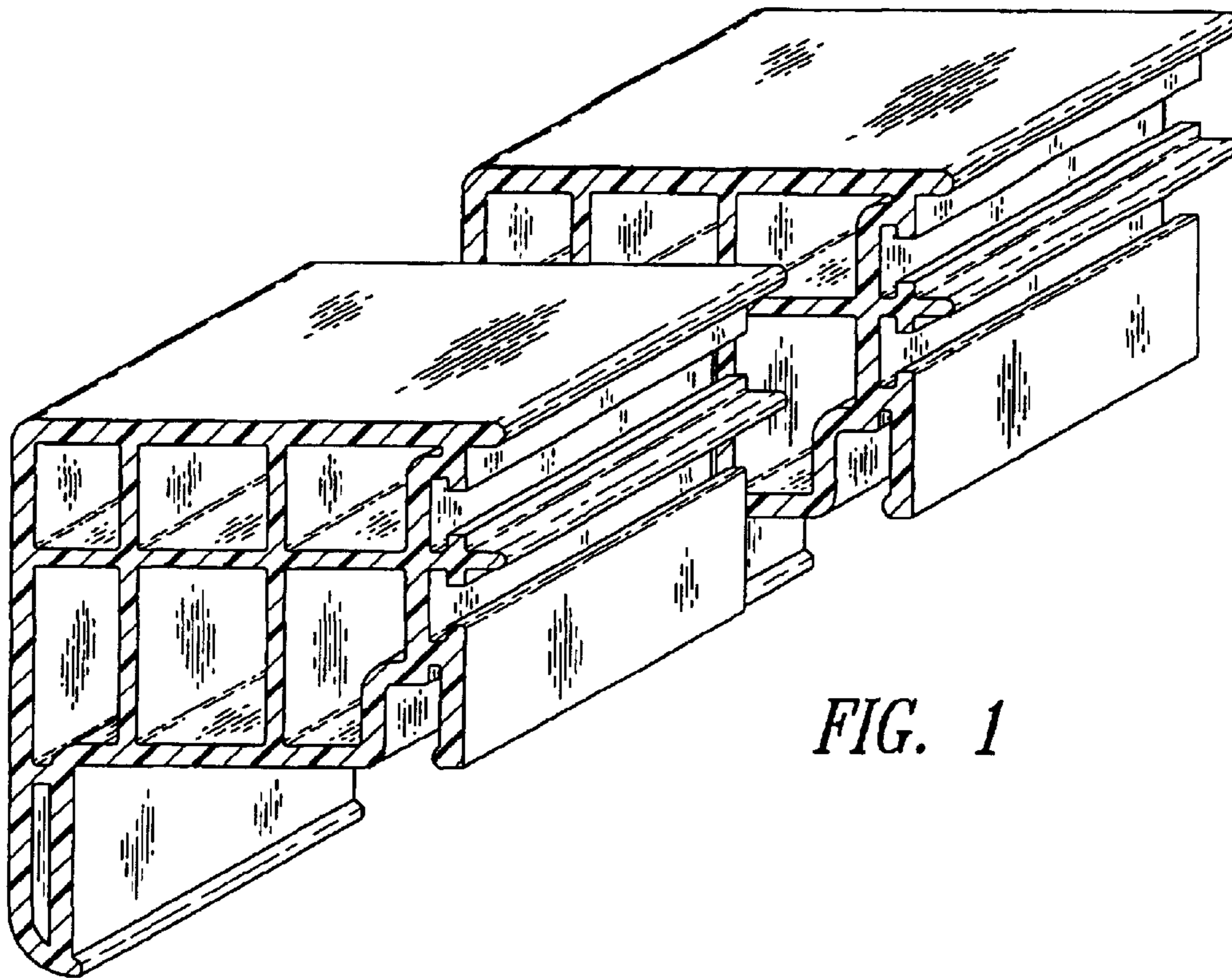


FIG. 1

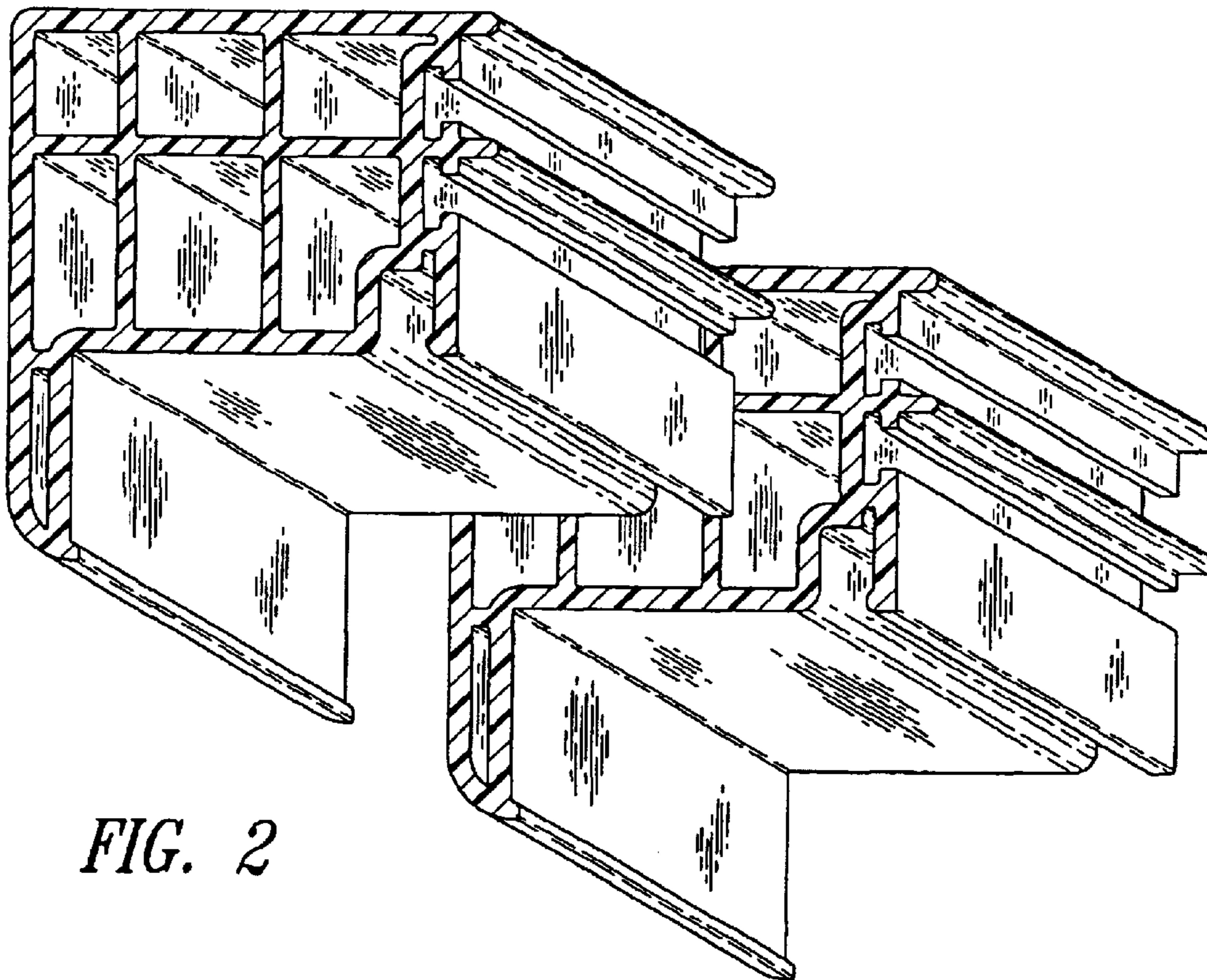


FIG. 2