

US00D493893S1

(12) **United States Design Patent** (10) **Patent No.:** **US D493,893 S**
Wang (45) **Date of Patent:** **** Aug. 3, 2004**

(54) **ASSEMBLY CASING FOR SAMPLING AND TESTING BIOLOGICAL LIQUID**

(75) Inventor: **Kai Wang**, Bellevue, WA (US)

(73) Assignee: **PhenoGenomics Corporation**, Bellevue, WA (US)

(**) Term: **14 Years**

(21) Appl. No.: **29/174,671**

(22) Filed: **Jan. 21, 2003**

(51) **LOC (7) Cl.** **24-02**

(52) **U.S. Cl.** **D24/223**

(58) **Field of Search** D24/223; 422/55, 422/56, 61, 68.1, 69; 435/287.2, 287.3, 806, 810, 970, 975; 436/65, 510, 814, 906

(56) **References Cited**

U.S. PATENT DOCUMENTS

D379,662 S	*	6/1997	Pearson et al.	D24/223
D379,663 S	*	6/1997	Pearson et al.	D24/223
D394,317 S	*	5/1998	Carp	D24/223
6,352,862 B1	*	3/2002	Davis et al.	436/510

* cited by examiner

Primary Examiner—Stella Reid

(74) *Attorney, Agent, or Firm*—Patrick J. S. Inouye

(57) **CLAIM**

The ornamental design for an assembly casing for sampling and testing biological liquid, substantially as shown and described.

DESCRIPTION

FIG. 1 is a perspective view of an assembly casing for sampling and testing biological liquid, showing my new design, with the cover removed.

FIG. 2 is a rear elevational view of the casing of FIG. 1.

FIG. 3 is a front elevational view of the casing of FIG. 1.

FIG. 4 is a rear elevational view of the cover used by the casing of FIG. 1.

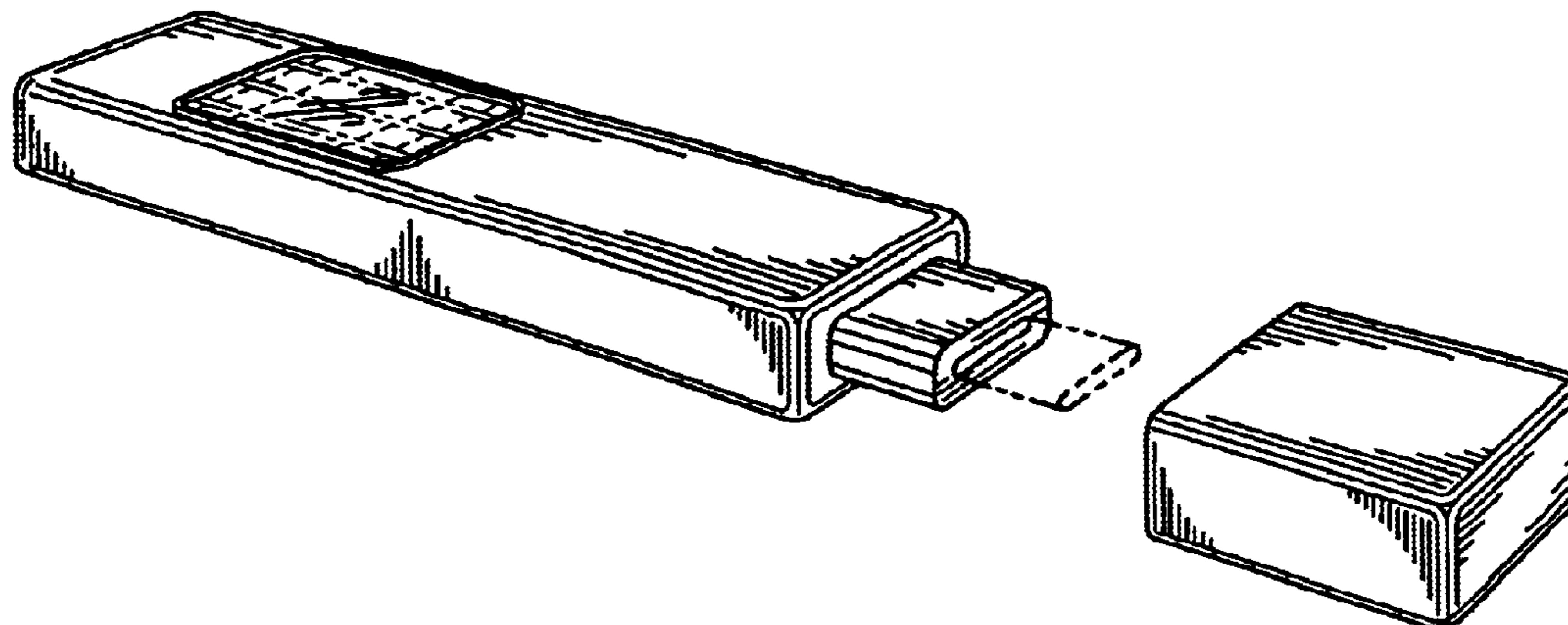
FIG. 5 is a top plan view of the casing of FIG. 1.

FIG. 6 is a bottom plan view of the casing of FIG. 1; and,

FIG. 7 is a side elevational view of the casing of FIG. 1.

The broken line showing is for illustrative purposes only and forms no part of the claimed design.

1 Claim, 2 Drawing Sheets



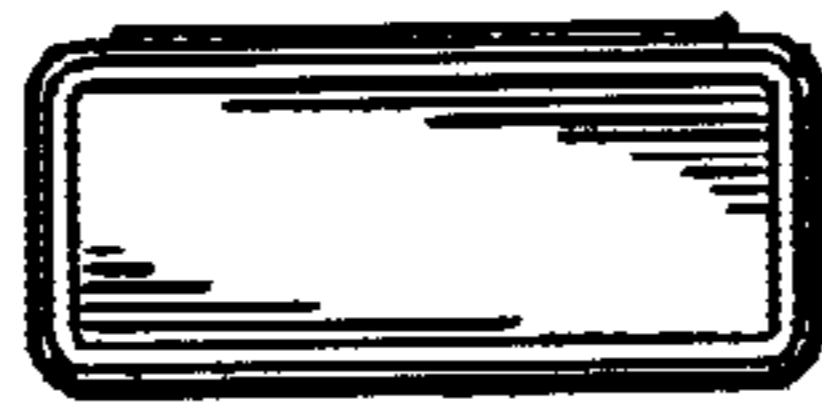
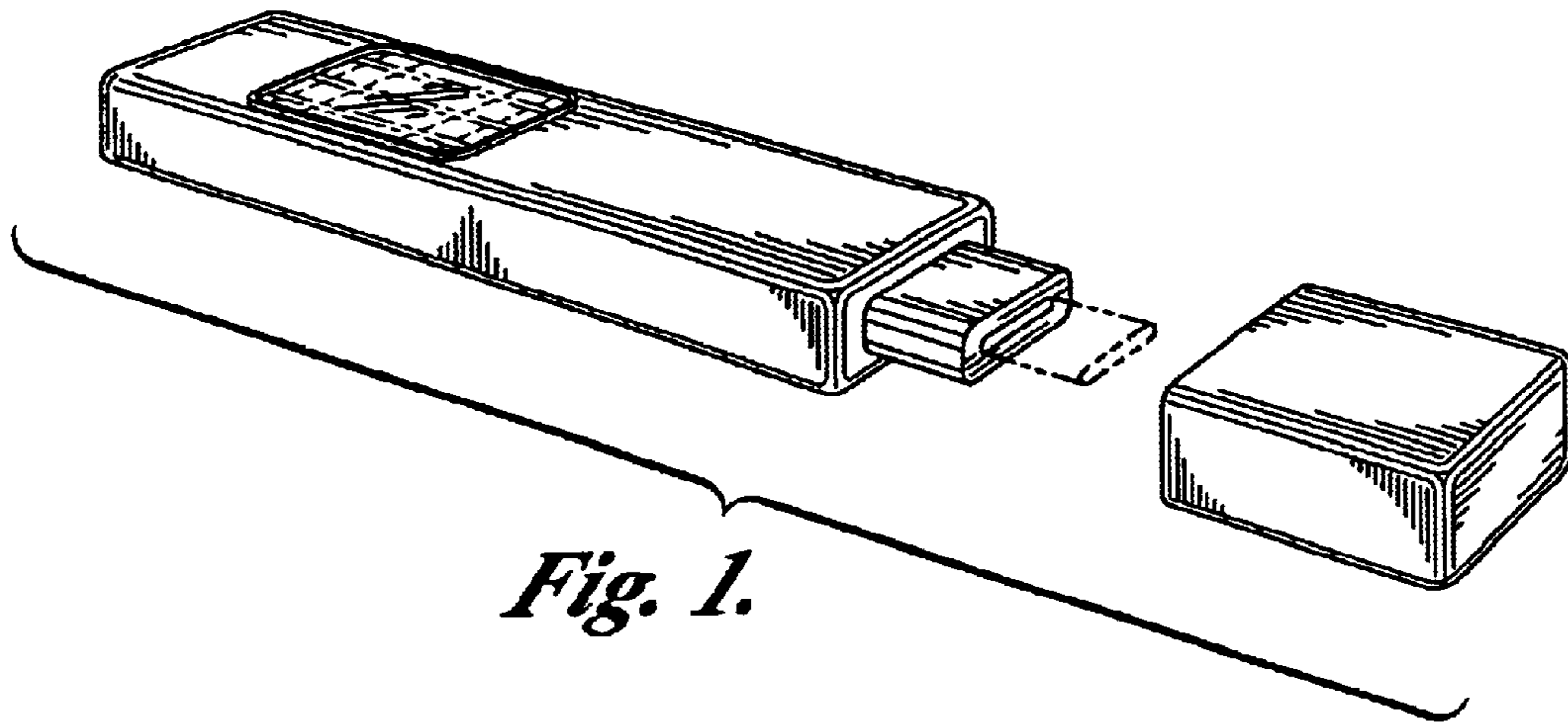


Fig. 2.



Fig. 3.

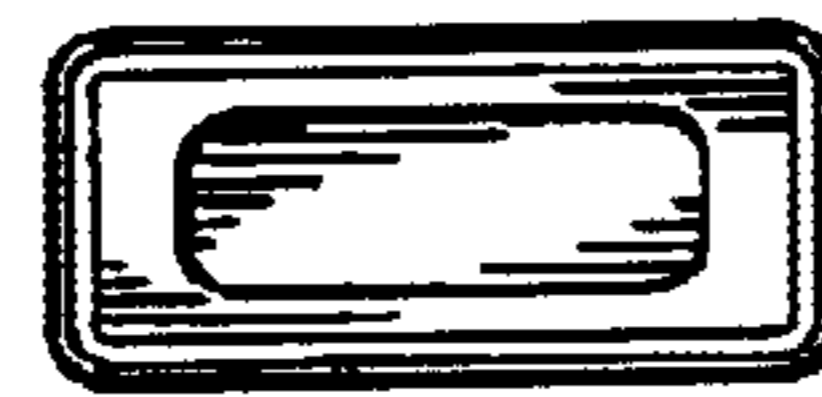


Fig. 4.

Fig. 5.

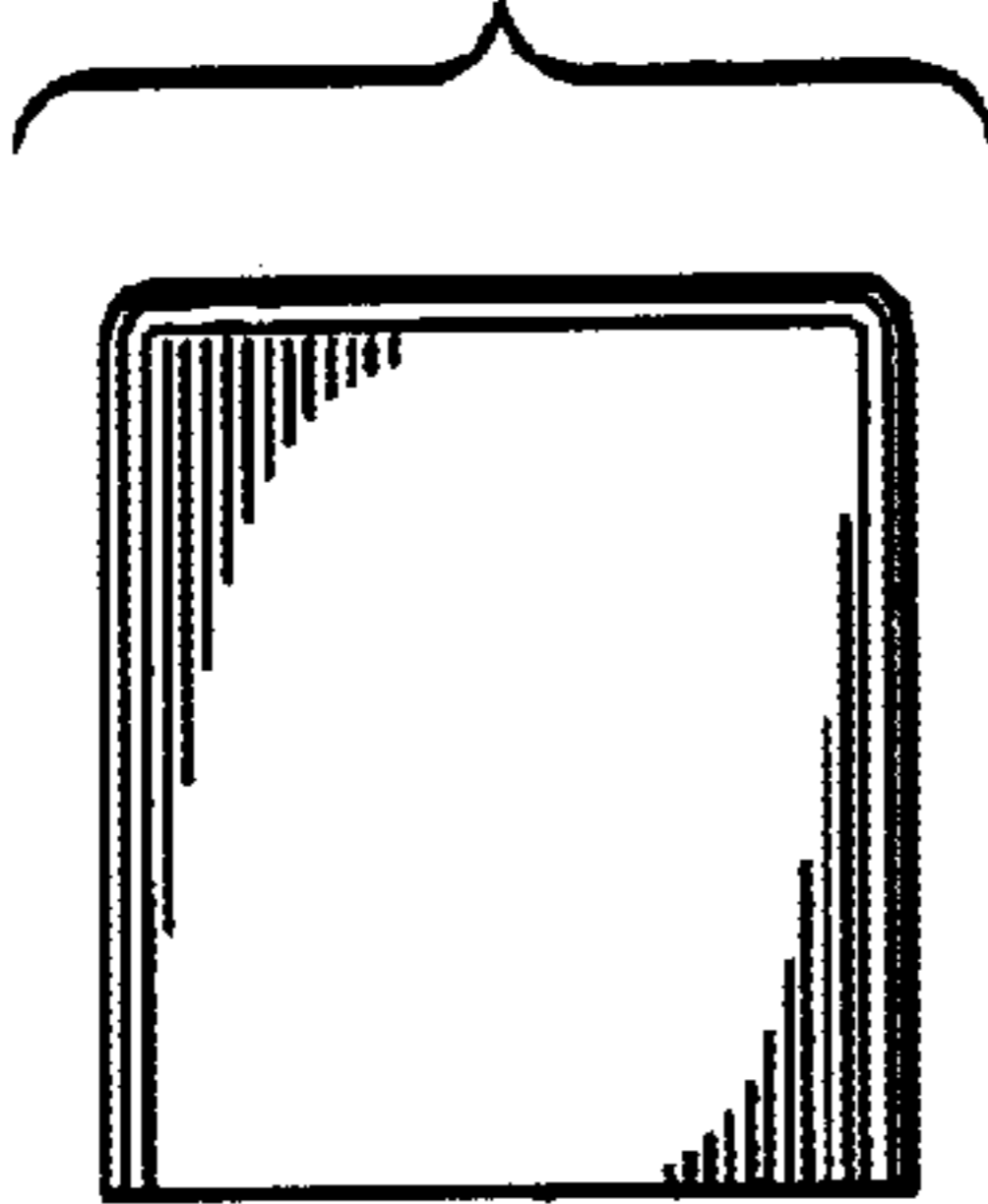


Fig. 6.

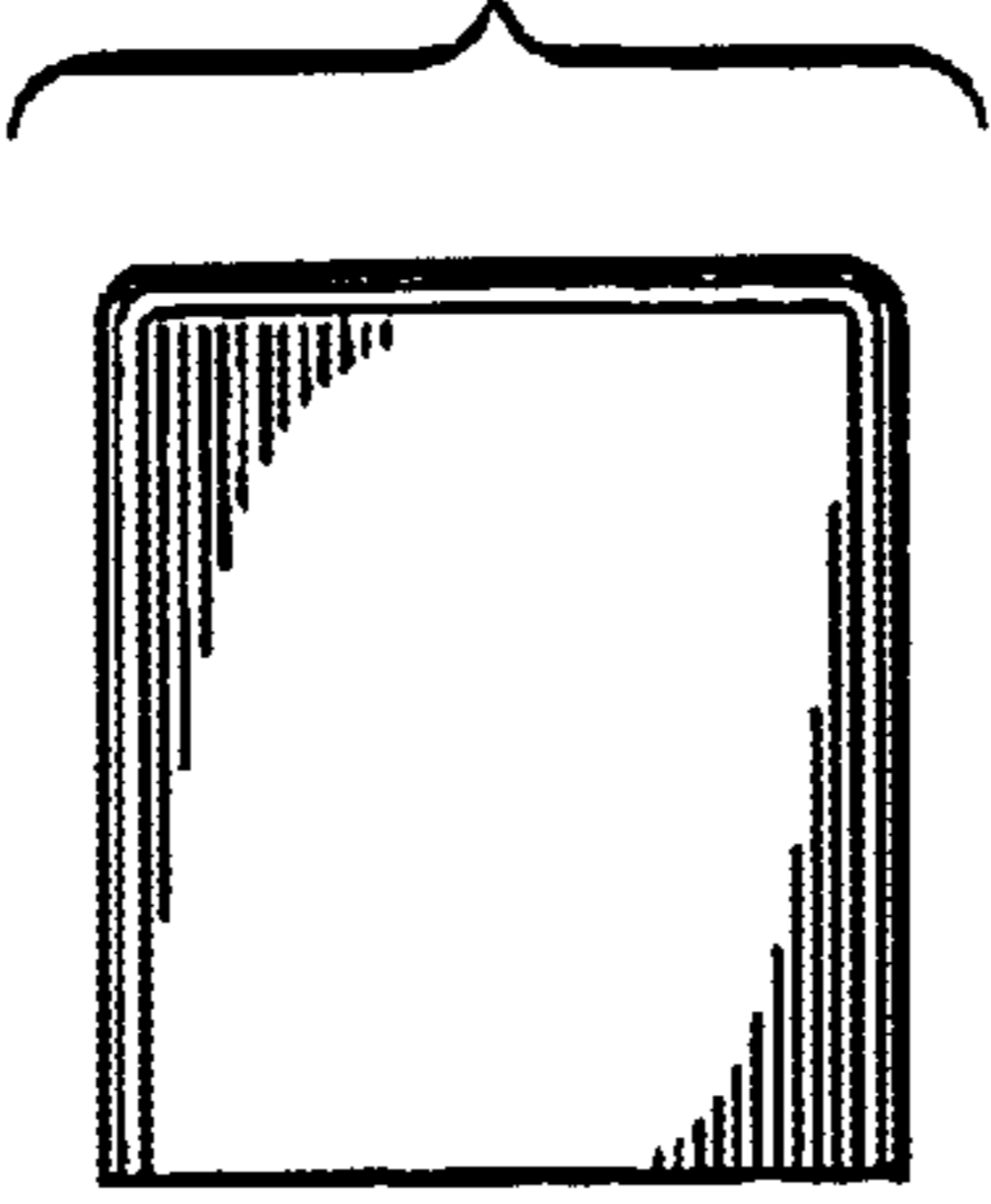


Fig. 7.

