



US00D493891S1

(12) **United States Design Patent**
Whitehead

(10) **Patent No.:** **US D493,891 S**

(45) **Date of Patent:** **** Aug. 3, 2004**

(54) **DOUBLE TOOTH IMPLANT
SUBSTRUCTURE**

6,283,753 B1 * 9/2001 Willoughby 433/172
D467,342 S 12/2002 Whitehead D24/156

(76) **Inventor:** **George M. Whitehead**, 6226 196th St.
SW., Suite 2-B, Lynnwood, WA (US)
98036

* cited by examiner

Primary Examiner—Brian N Vinson

(74) *Attorney, Agent, or Firm*—Dean A. Craine

(**) **Term:** **14 Years**

(57) **CLAIM**

The ornamental design for a double tooth implant substructure, as shown and described.

(21) **Appl. No.:** **29/178,569**

(22) **Filed:** **Mar. 27, 2003**

DESCRIPTION

(51) **LOC (7) Cl.** **24-03**

FIG. 1 is a perspective view of a double tooth implant substructure.

(52) **U.S. Cl.** **D24/156**

FIG. 2 is a front elevational view of the invention.

(58) **Field of Search** D24/156; 433/172-74,
433/180-83, 167, 229

FIG. 3 is a right side elevational view of the invention.

FIG. 4 is a left side elevational view of the invention.

FIG. 5 is a top plan view of the invention.

FIG. 6 is a bottom plan view of the invention.

FIG. 7 is a rear elevational view of the invention; and,

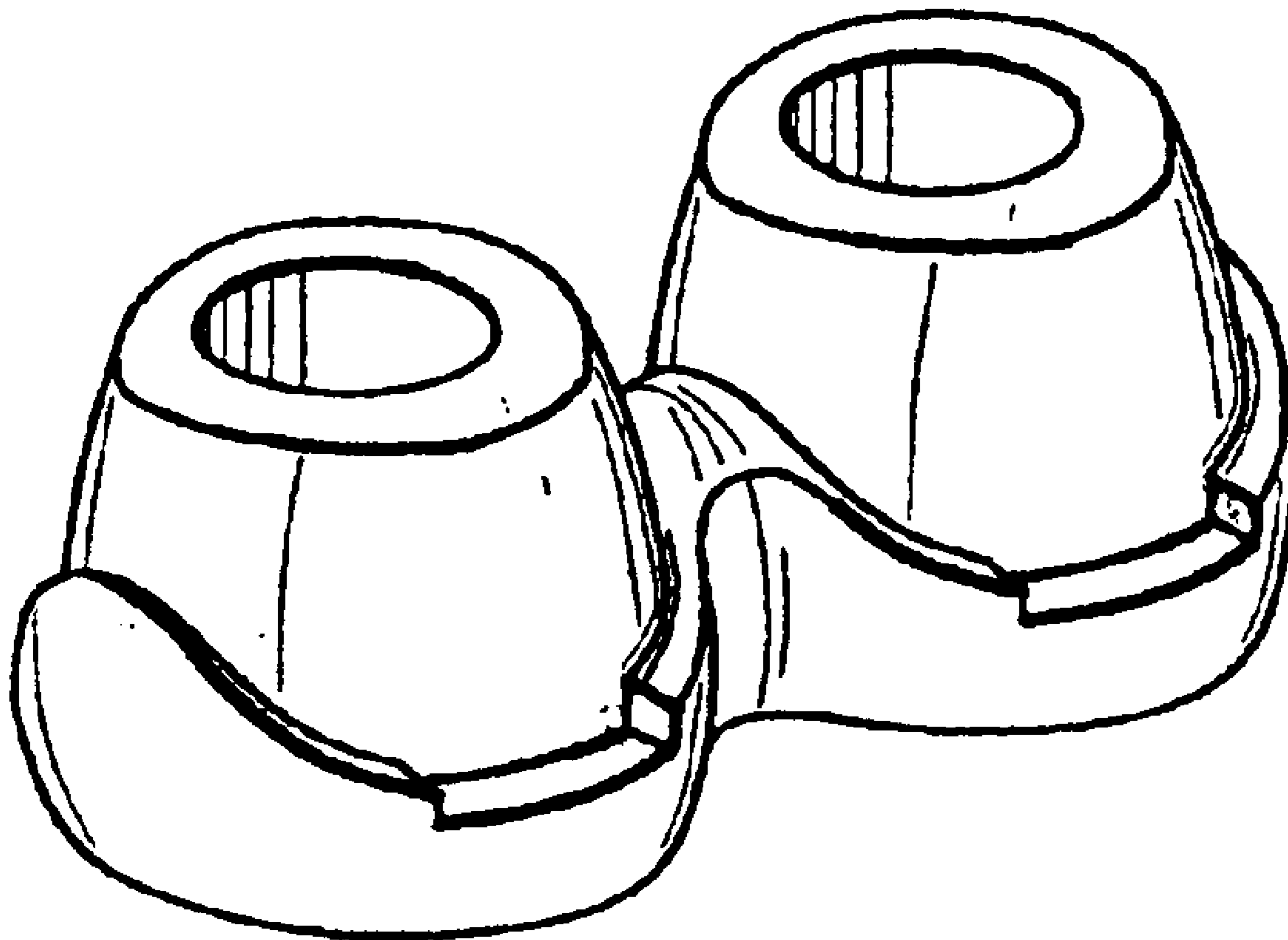
FIG. 8 is a sectional, side elevational view of the invention taken along line 8-8 in FIG. 7.

(56) **References Cited**

U.S. PATENT DOCUMENTS

D268,869 S	*	5/1983	Toff	D24/156
5,120,222 A	*	6/1992	Sulc	433/181
5,556,280 A	*	9/1996	Pelak	433/172
5,564,928 A		10/1996	Gittleman	433/180

1 Claim, 2 Drawing Sheets



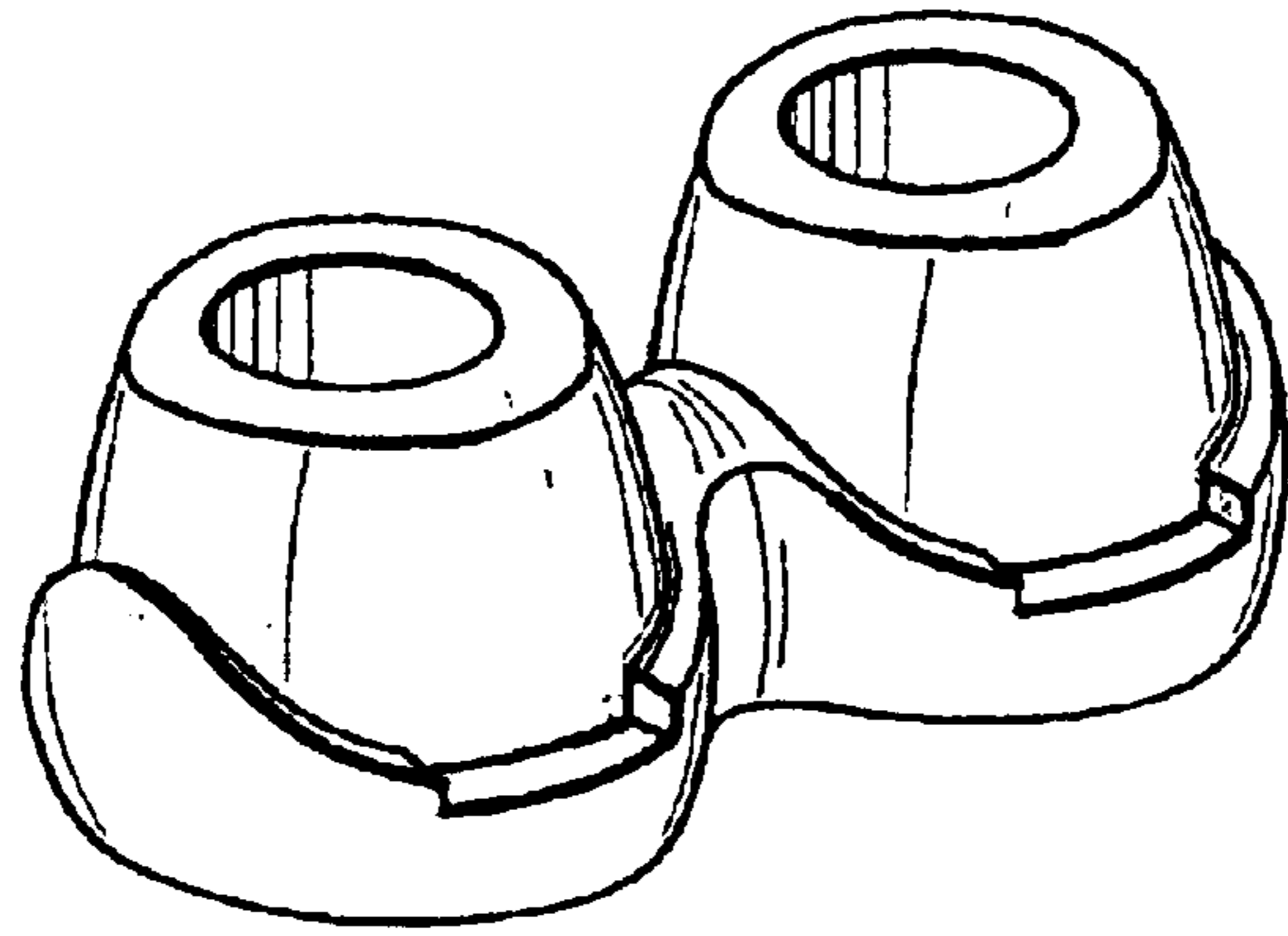


FIG. 1

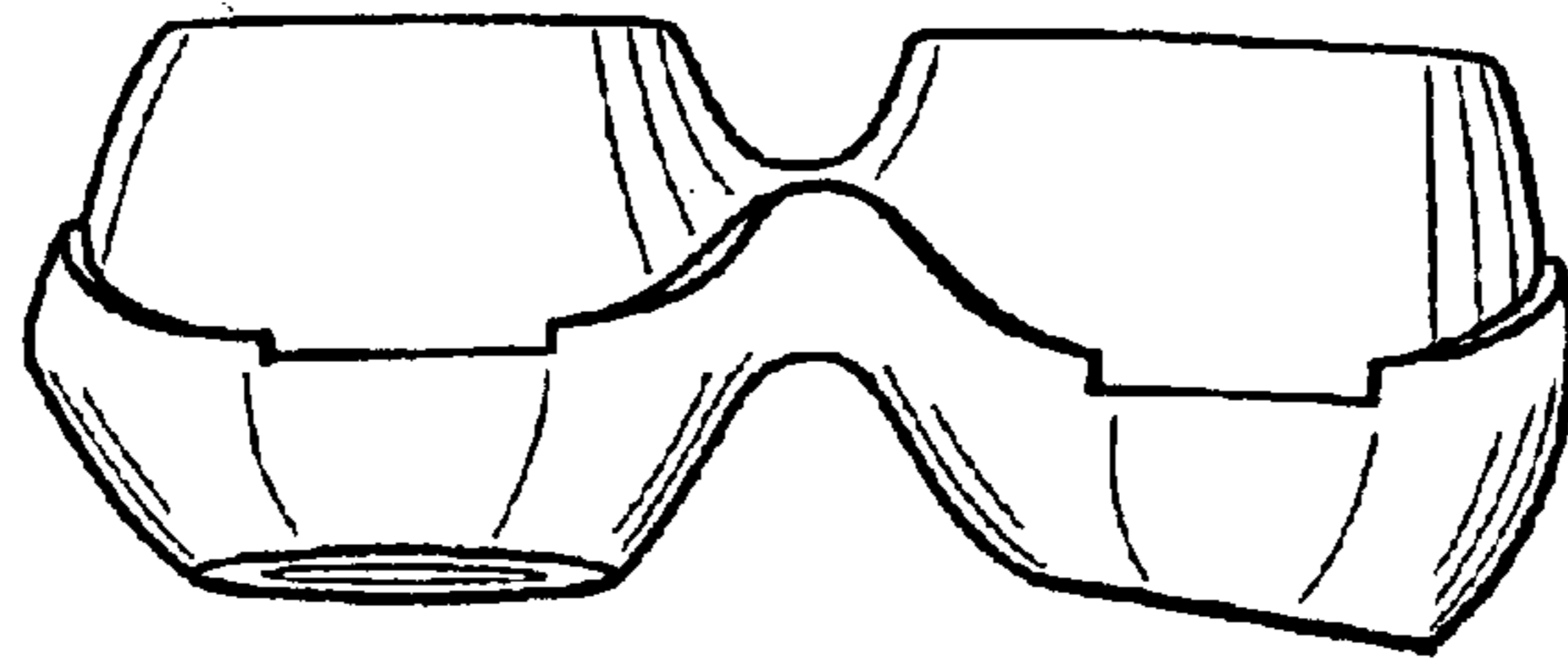


FIG. 2

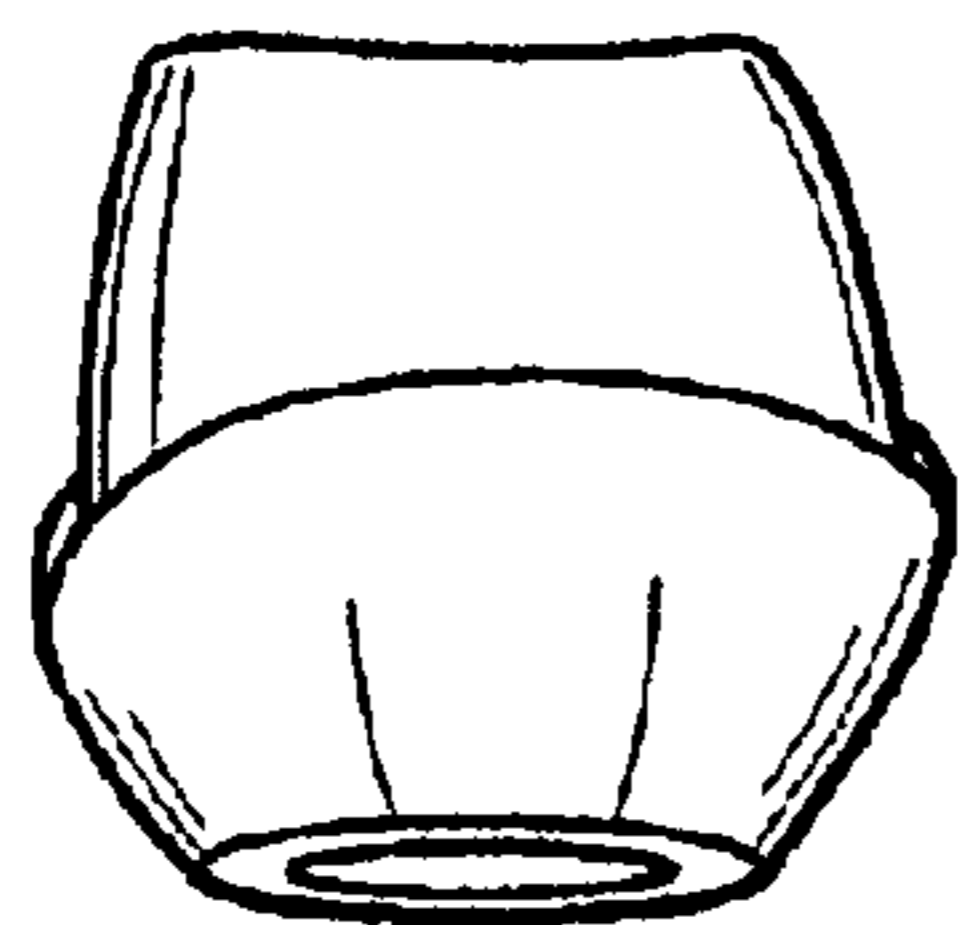


FIG. 3

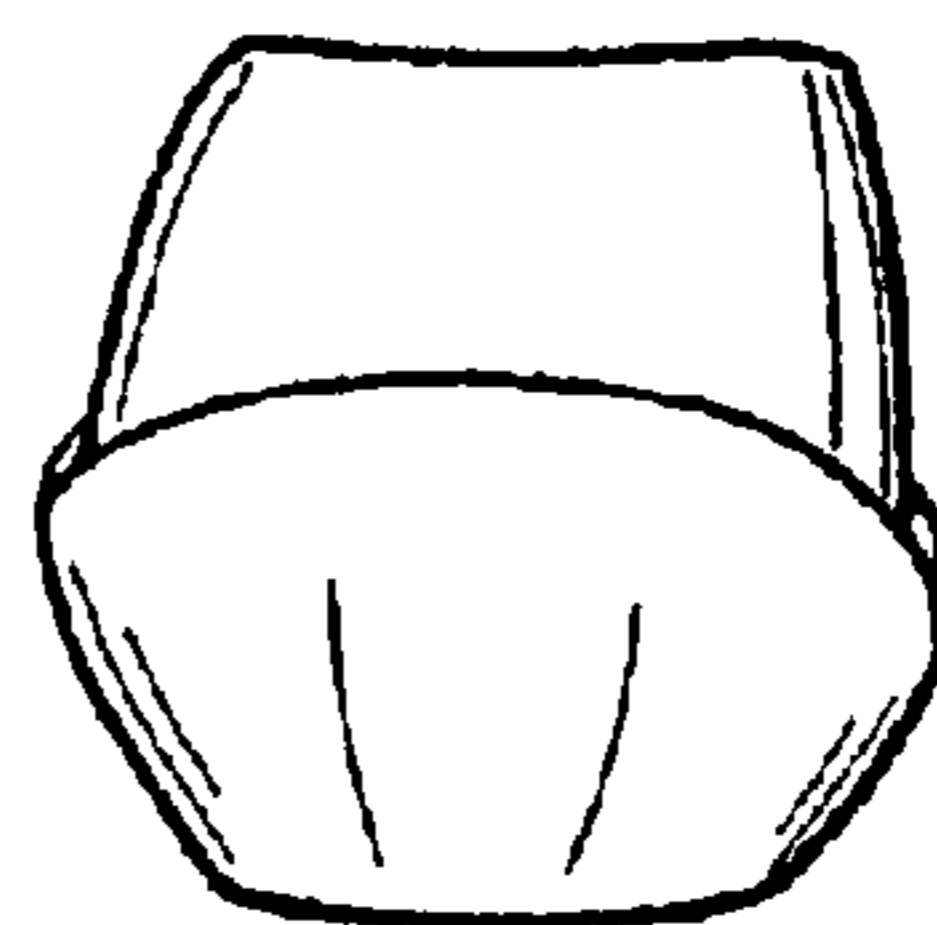


FIG. 4

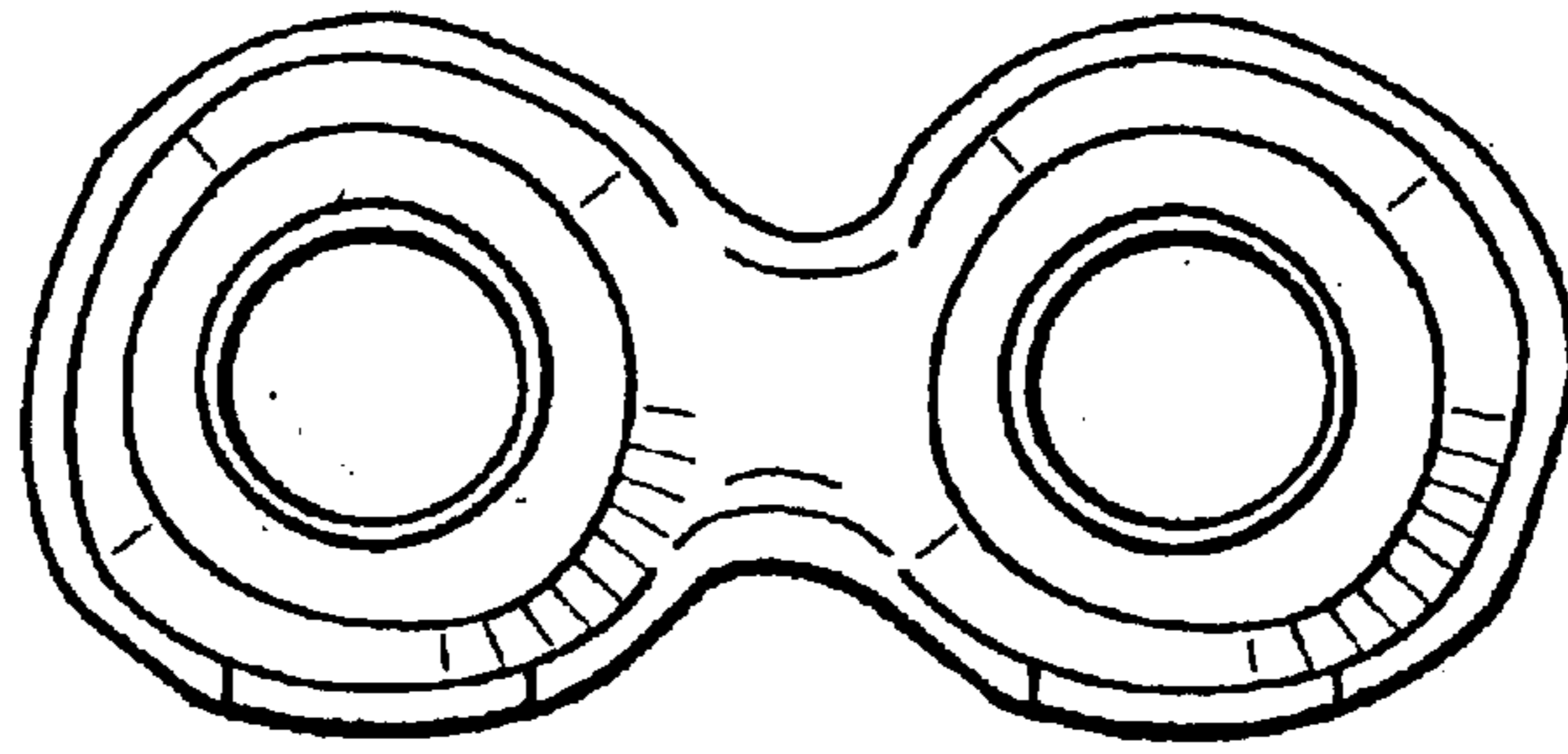


FIG. 5

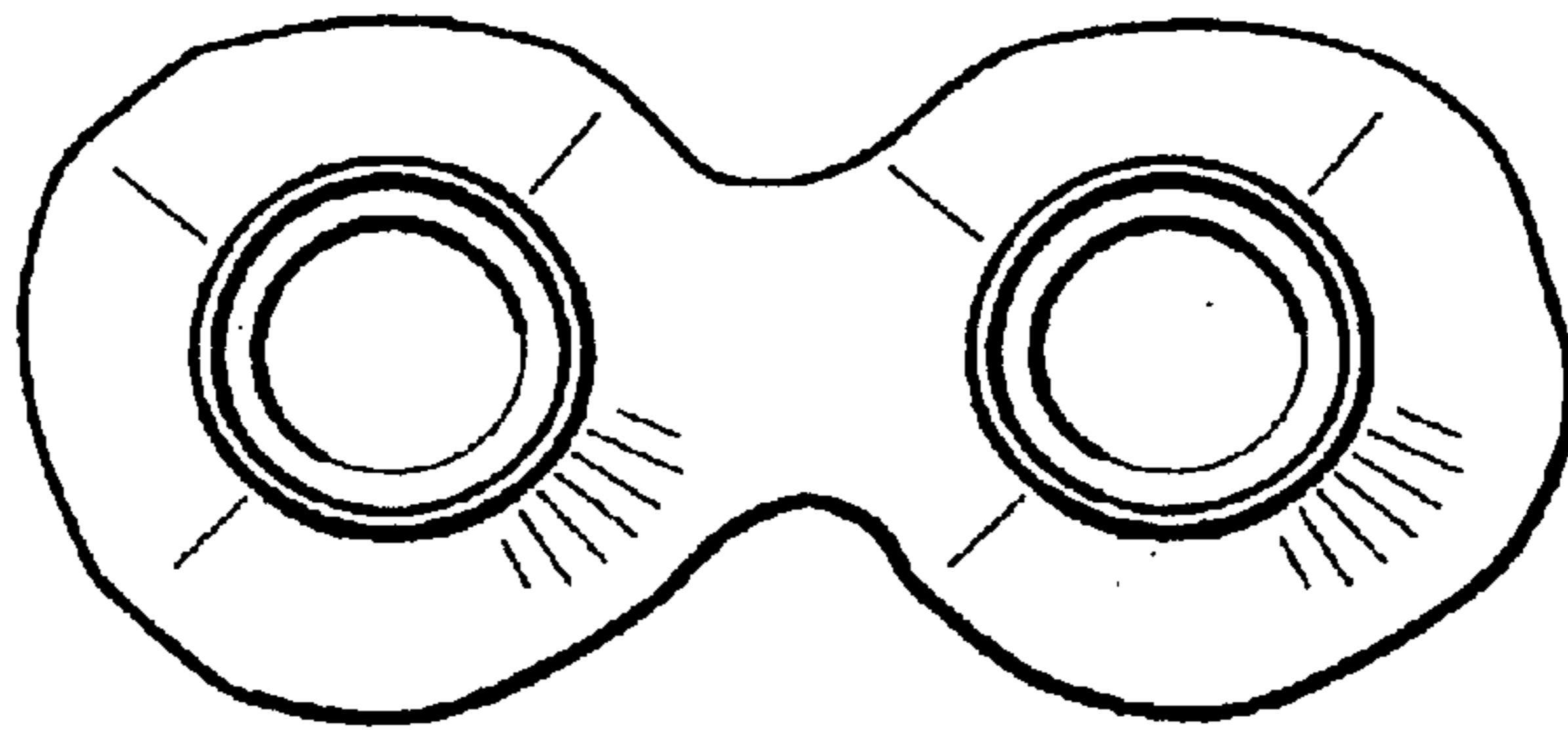


FIG. 6

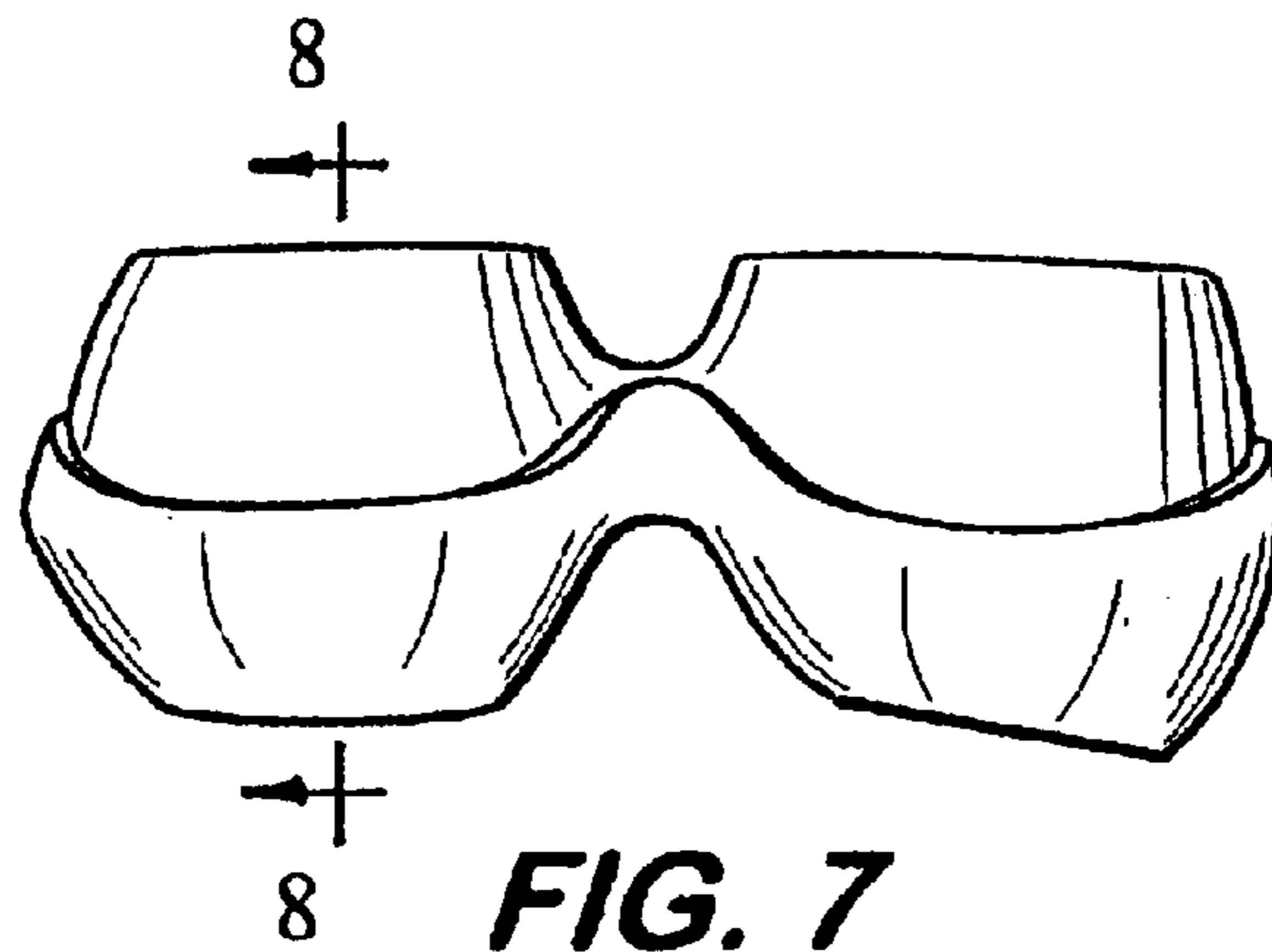


FIG. 7

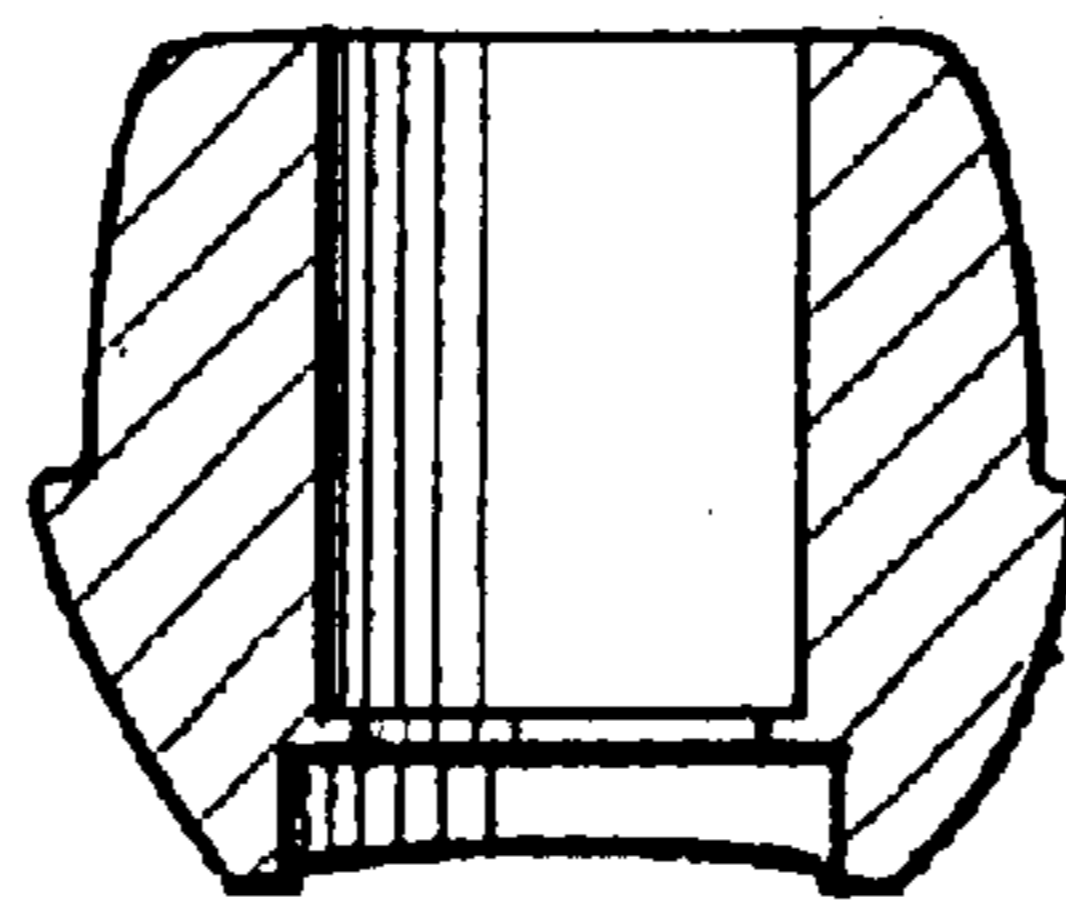


FIG. 8