



US00D493887S1

(12) **United States Design Patent** (10) **Patent No.:** **US D493,887 S**
Roberts et al. (45) **Date of Patent:** **** *Aug. 3, 2004**

(54) **EYE VIEWING DEVICE**

(75) Inventors: **Chris R. Roberts**, Skaneateles, NY (US); **Steven R. Slawson**, Camillus, NY (US); **Scott P. Guicciardi**, Syracuse, NY (US); **Scott W. Osiecki**, Skaneateles, NY (US); **Timothy R. Fitch**, Syracuse, NY (US); **Ronald J. Kingston**, Syracuse, NY (US)

(73) Assignee: **Welch Allyn, Inc.**, Skaneateles Falls, NY (US)

(*) Notice: This patent is subject to a terminal disclaimer.

(**) Term: **14 Years**

(21) Appl. No.: **29/169,936**

(22) Filed: **Oct. 29, 2002**

Related U.S. Application Data

(63) Continuation of application No. 29/153,569, filed on Nov. 13, 2001, now abandoned, which is a continuation of application No. 29/137,181, filed on Feb. 14, 2001, now abandoned.

(51) **LOC (7) Cl.** **24-02**

(52) **U.S. Cl.** **D24/137**

(58) **Field of Search** D24/137, 138, D24/150, 172; 351/218, 200, 221, 216; 600/200, 175

(56) **References Cited**

U.S. PATENT DOCUMENTS

D212,648 S * 11/1968 Armbruster D24/137

D288,960 S * 3/1987 Riester D24/137
5,499,066 A * 3/1996 Farmer et al. 351/221
5,599,276 A * 2/1997 Hauptli et al. 351/218
6,106,457 A * 8/2000 Perkins et al. 600/175
6,390,625 B1 * 5/2002 Slawson et al. 351/216

* cited by examiner

Primary Examiner—Ian Simmons

(74) *Attorney, Agent, or Firm*—Wall Marjama & Bilinski LLP

(57) **CLAIM**

The ornamental design for an eye viewing device, as shown and described.

DESCRIPTION

FIG. 1 is a first perspective view of an eye viewing device, according to the invention;

FIG. 2 is a second perspective view of an eye viewing device according to the invention;

FIG. 3 is a first side elevation view of an eye viewing device according to the invention;

FIG. 4 is a second side elevation view of an eye viewing device according to the invention;

FIG. 5 is a front view of an eye viewing device according to the invention;

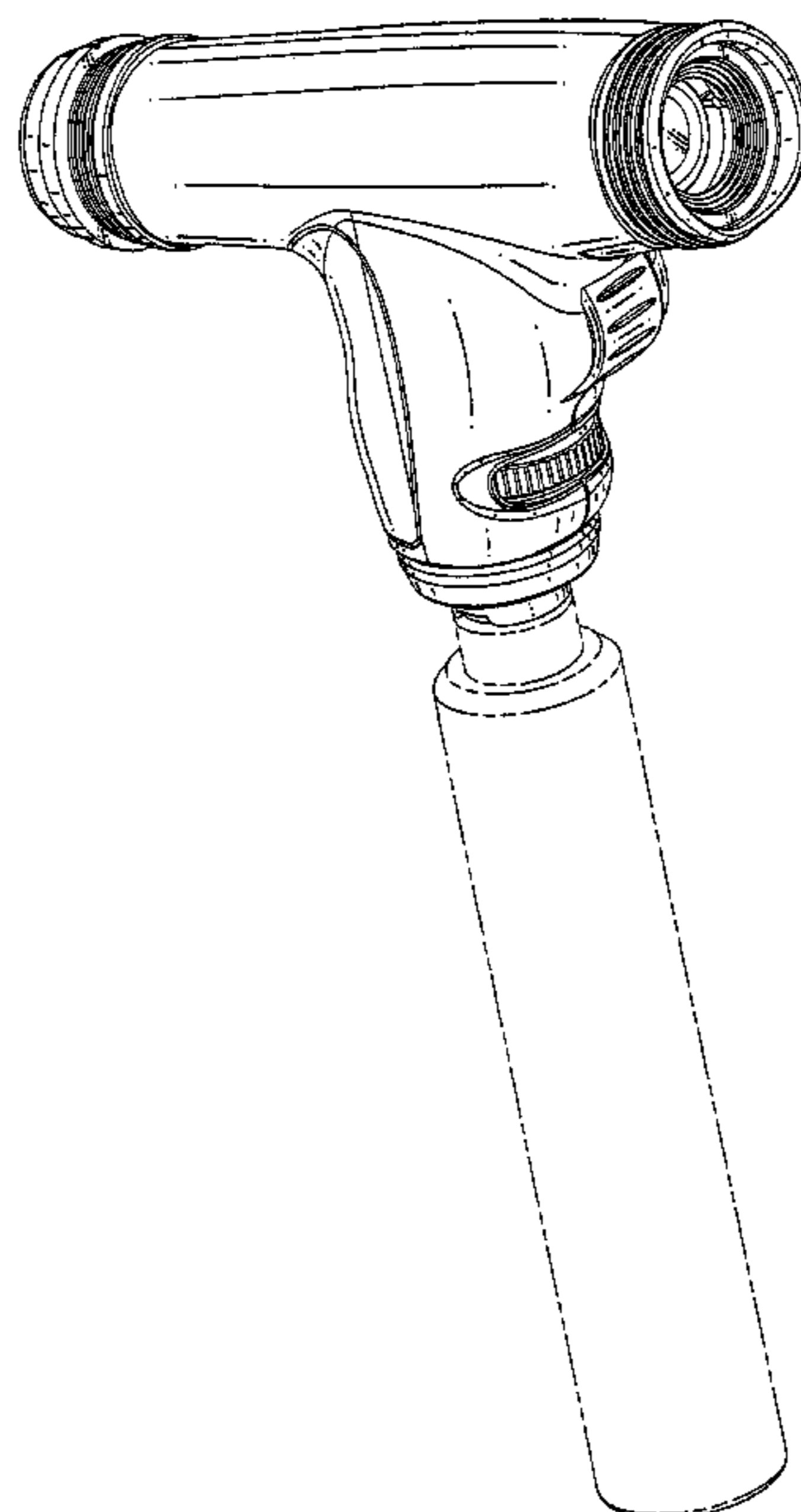
FIG. 6 is a rear view of an eye viewing device according to the invention;

FIG. 7 is a top view of an eye viewing device according to the invention; and,

FIG. 8 is a bottom view of an eye viewing device according to the invention.

The broken line showing in FIGS. 1 through 6 and 8 are for illustrative purposes only and forms no part of the claimed design.

1 Claim, 6 Drawing Sheets



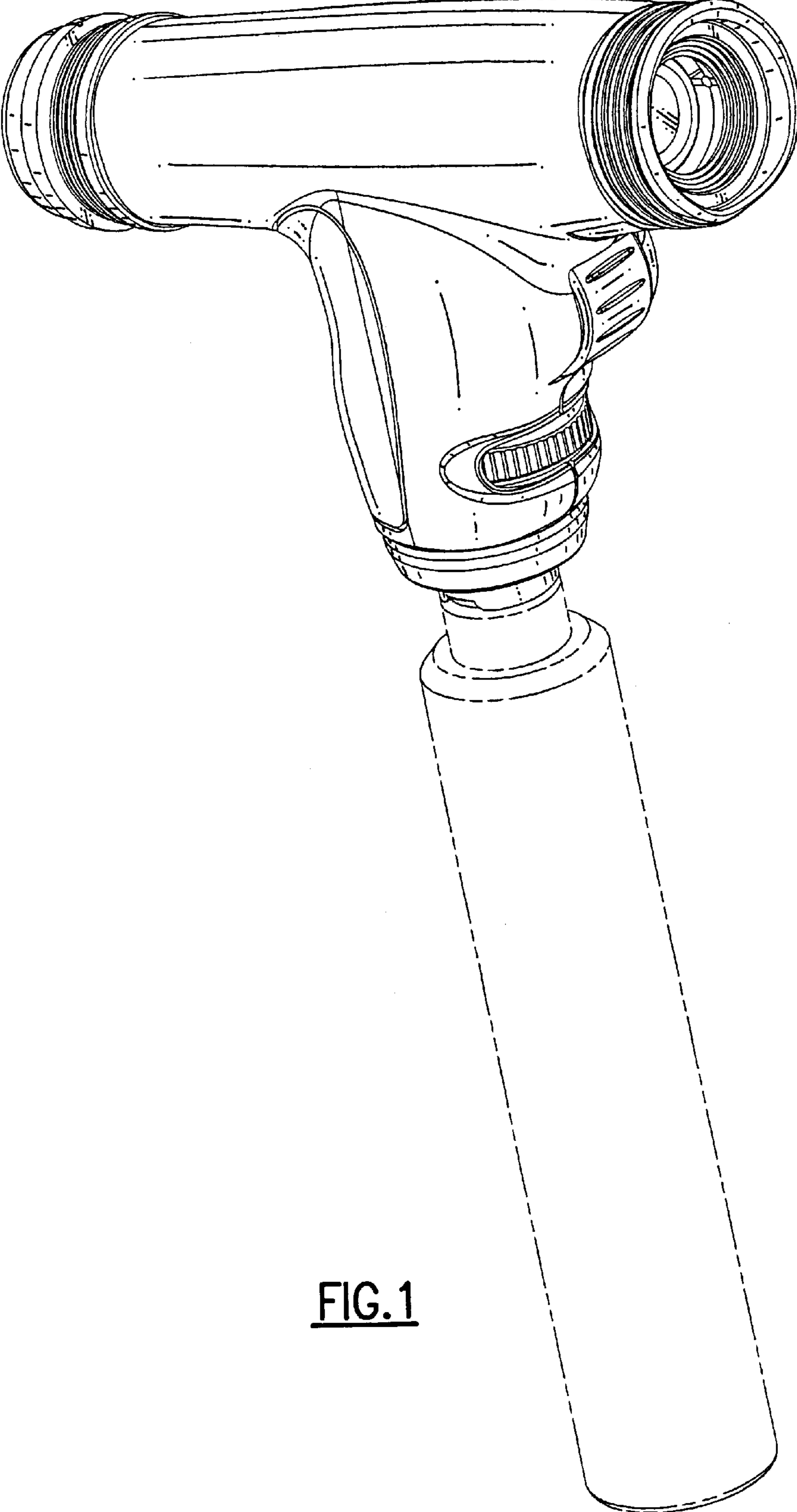


FIG. 1

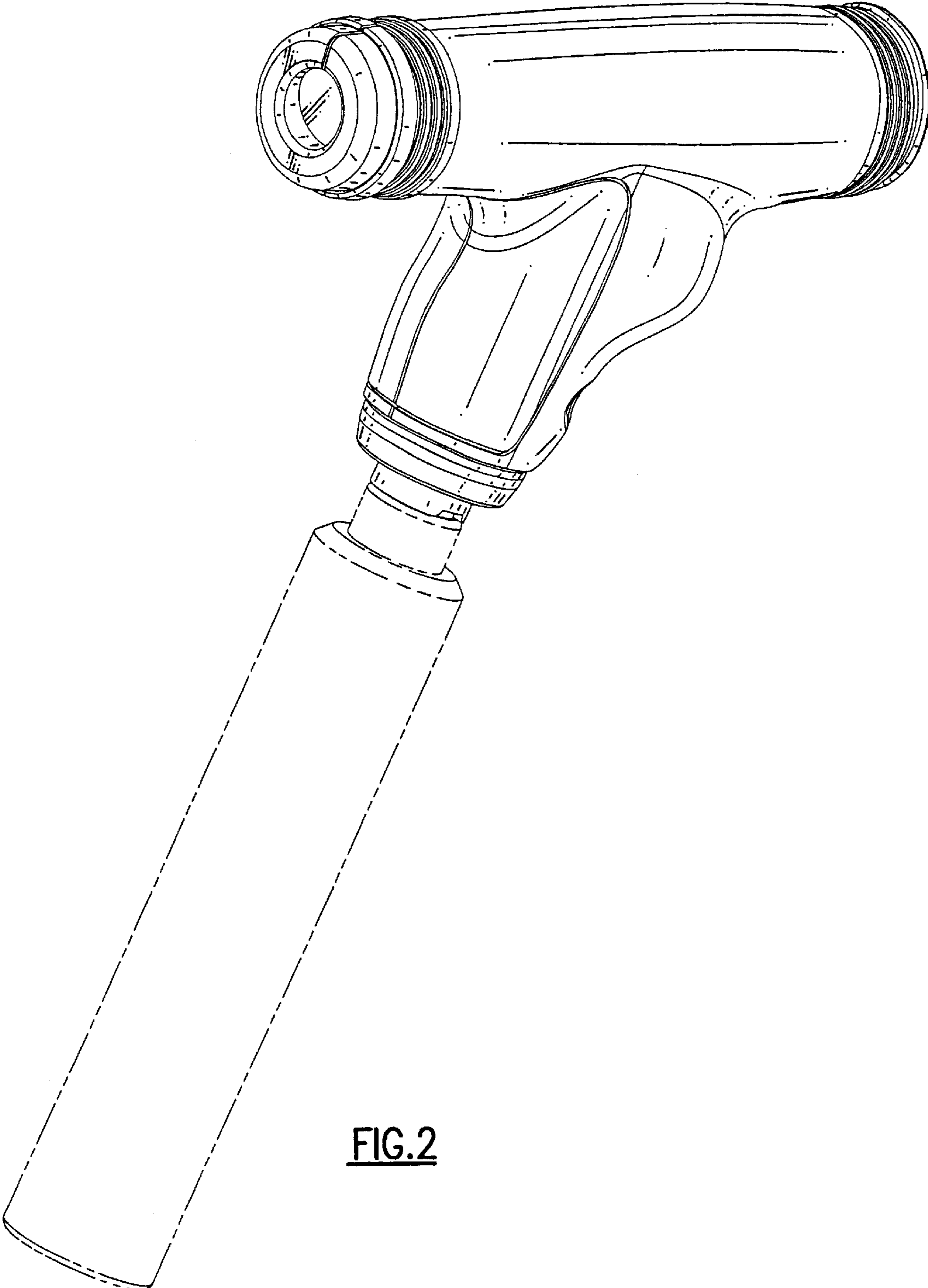


FIG. 2

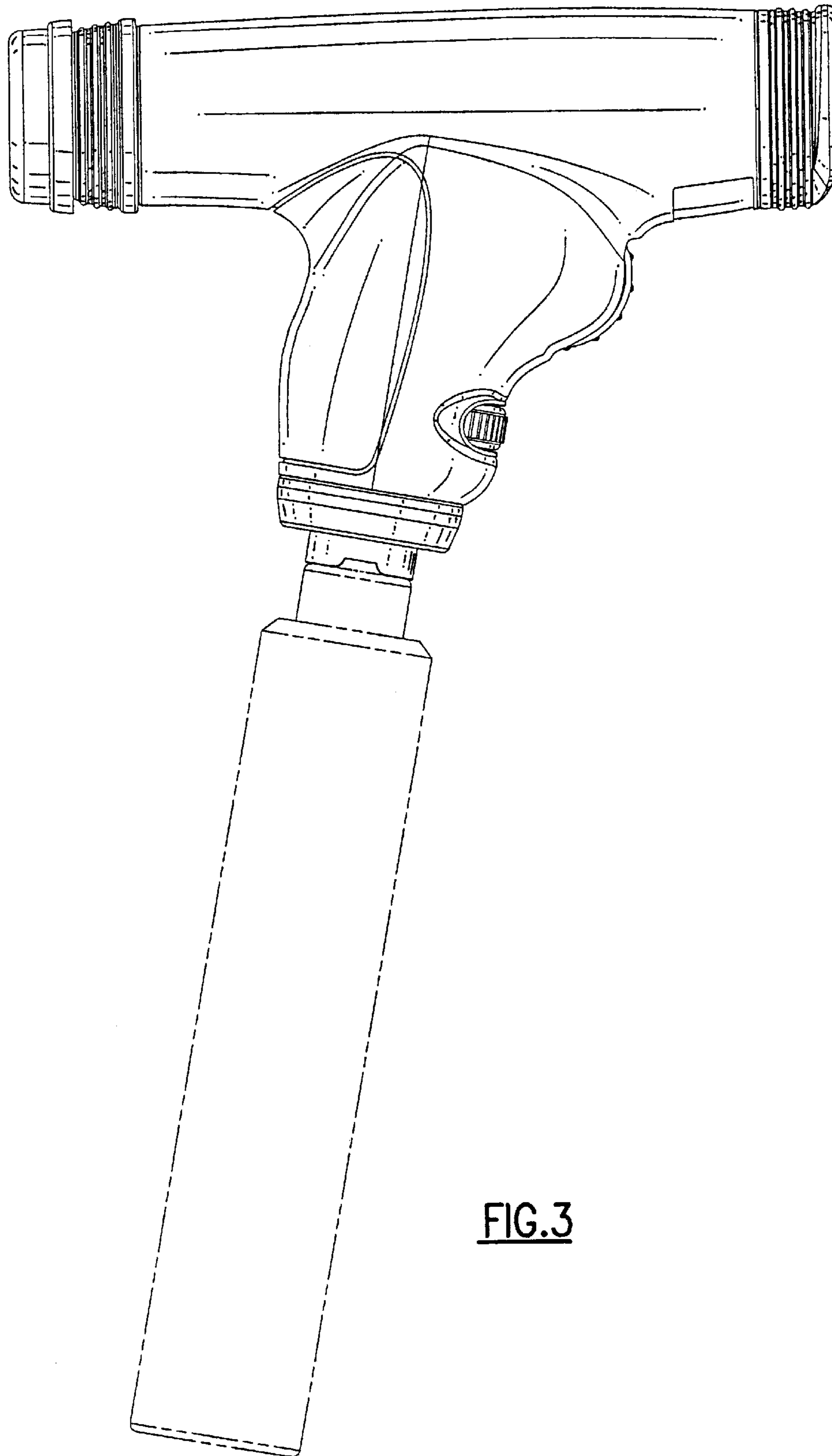


FIG. 3

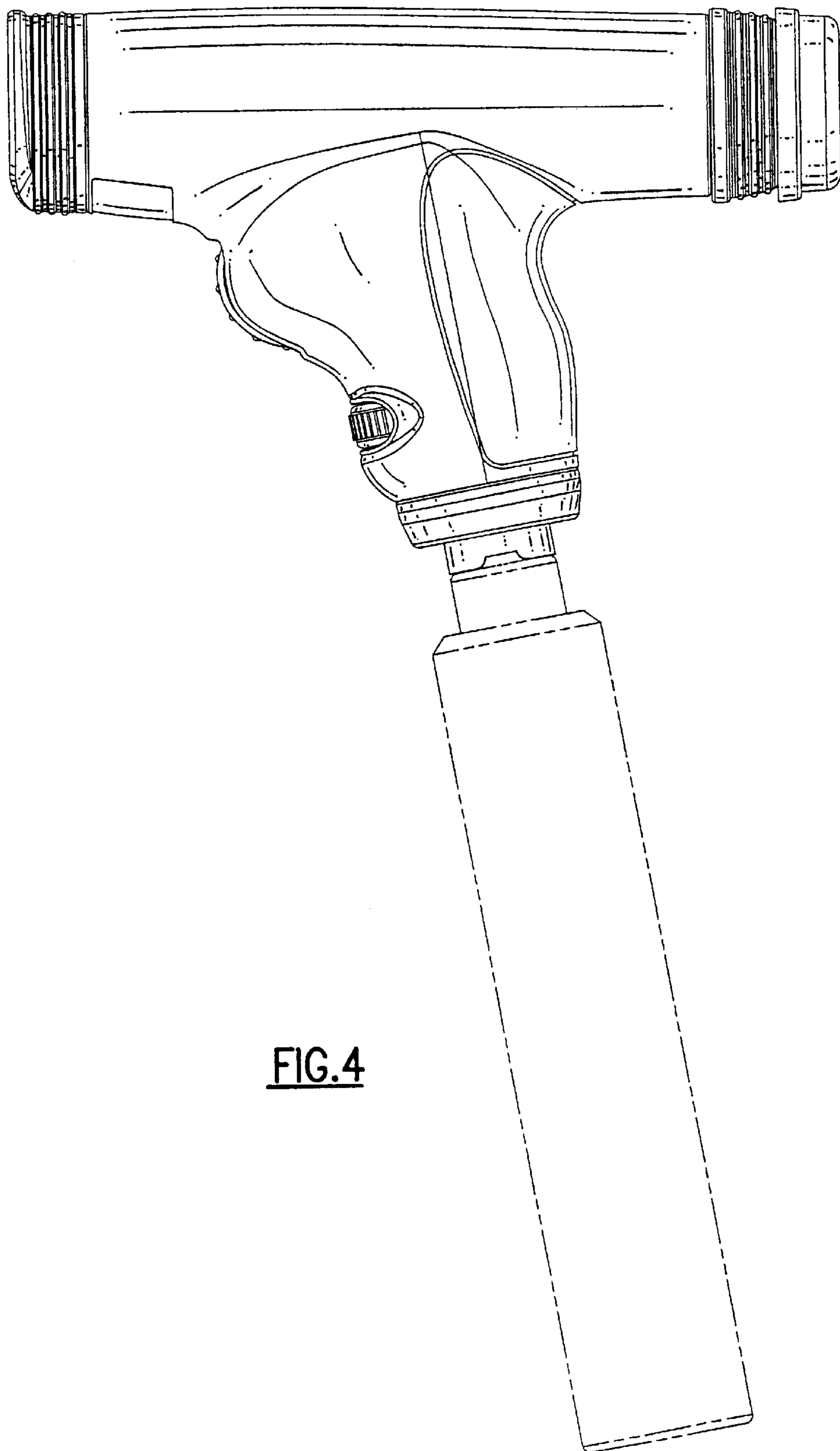


FIG.4

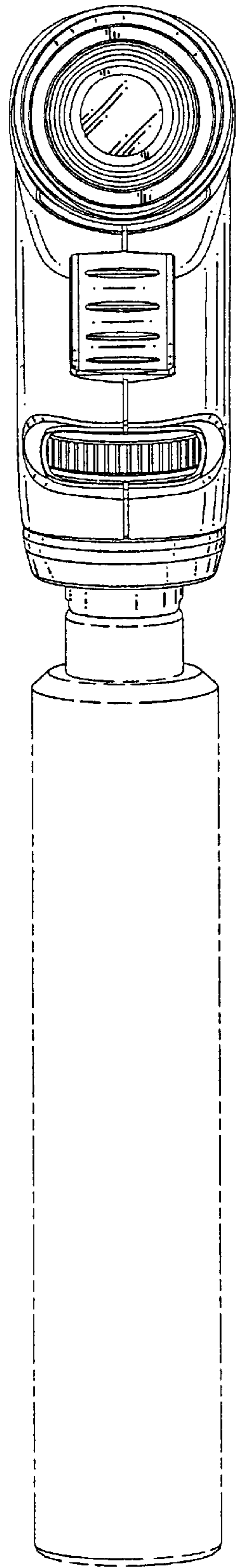


FIG. 5

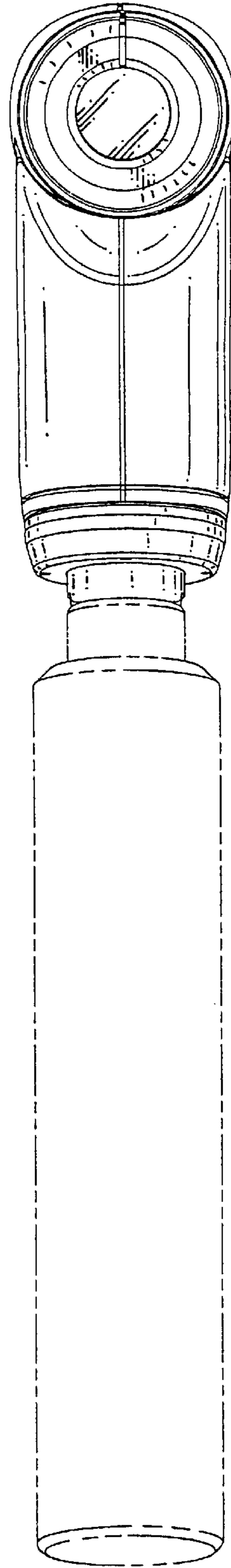


FIG. 6

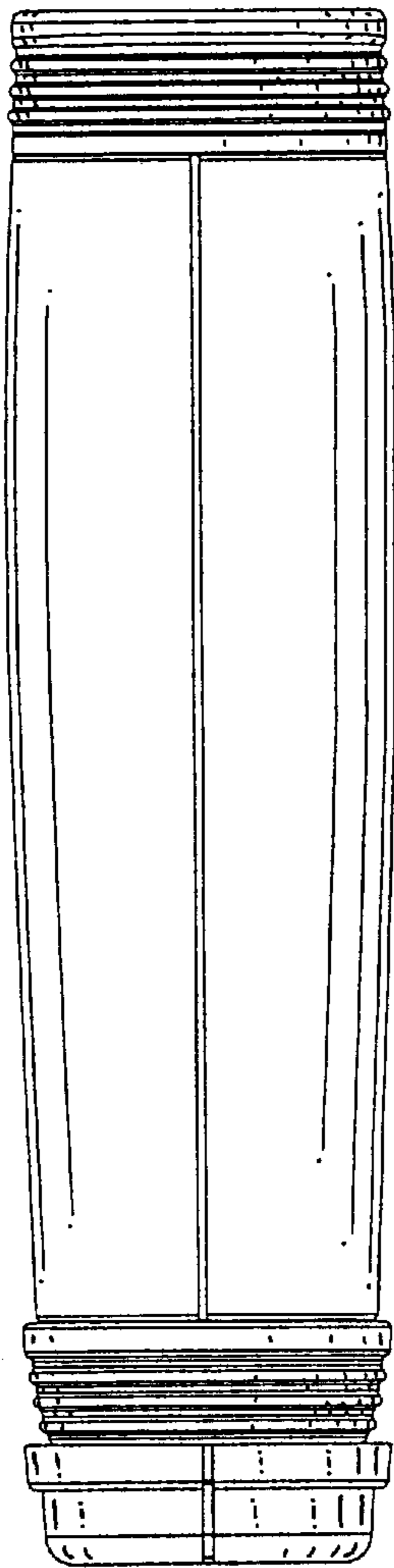


FIG. 7

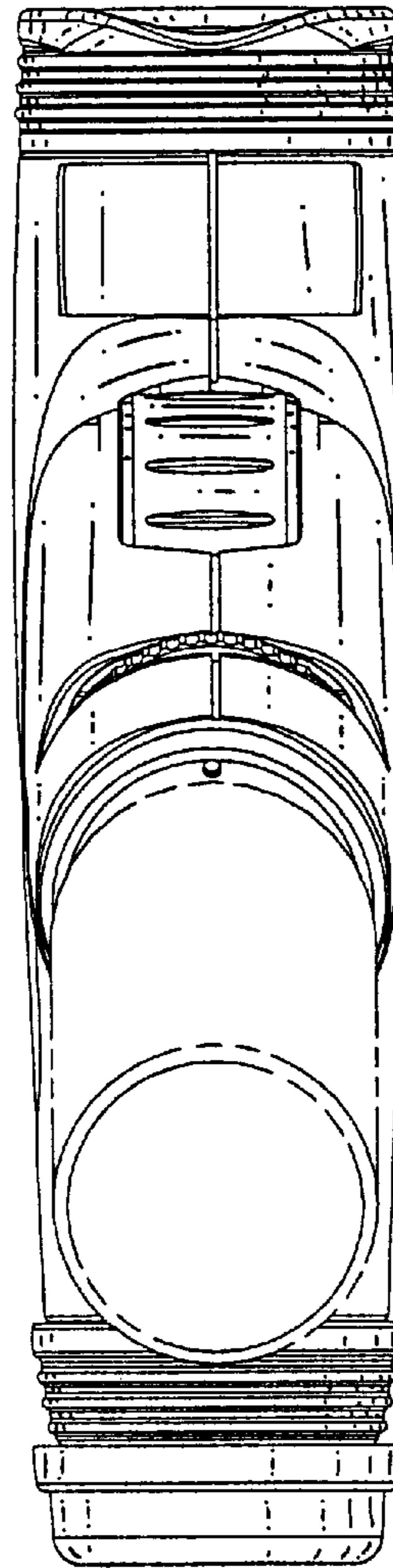


FIG. 8

UNITED STATES PATENT AND TRADEMARK OFFICE
CERTIFICATE OF CORRECTION

PATENT NO. : Des. 493,887 S
DATED : August 3, 2004
INVENTOR(S) : Roberts et al.

Page 1 of 1

It is certified that error appears in the above-identified patent and that said Letters Patent is hereby corrected as shown below:

Title page,

Item [75], Inventors, should read:

-- [75] Inventors: **Chris R. Roberts**, Skanesteles, NY (US); **Steven R. Slawson**, Camillus, NY (US); **Scott p. Gucciardi**, Syracuse, NY (US); **Scott W. Osiecki**, Skaneateles, NY (US); **Timothy R. Fitch**, Syracuse, NY (US); **Ronald J. Kingston**, Syracuse, NY (US) --

Signed and Sealed this

Ninth Day of November, 2004

A handwritten signature in black ink that reads "Jon W. Dudas". The signature is written in a cursive style with a large, stylized initial "J".

JON W. DUDAS

Director of the United States Patent and Trademark Office