

US00D493886S1

(12) **United States Design Patent**  
**Vernoy**

(10) **Patent No.:** **US D493,886 S**  
(45) **Date of Patent:** **\*\* Aug. 3, 2004**

(54) **DISPOSABLE ADULT DIAPER WITH HIP PROTECTION PADDING**

(76) **Inventor:** **Terry Alan Vernoy**, 2240 Kuhio Ave., Honolulu, HI (US) 96815

(\*\*) **Term:** **14 Years**

(21) **Appl. No.:** **29/186,567**

(22) **Filed:** **Jul. 11, 2003**

5,034,998 A	7/1991	Kolsky	
5,157,789 A	10/1992	Klass	
5,500,952 A	3/1996	Keyes	
5,522,809 A	6/1996	Larsonneur	
5,779,658 A	7/1998	Saca	
5,843,065 A	* 12/1998	Wyant	..... 604/385.09
5,868,725 A	2/1999	Coles	
6,009,565 A	1/2000	Carrington	
6,408,446 B1	6/2002	Carrington	
2002/0078484 A1	6/2002	Ulert	
2002/0099346 A1	7/2002	Strobl	
2003/0093050 A1	5/2003	Baker	

**Related U.S. Application Data**

(63) Continuation-in-part of application No. 29/166,159, filed on Nov. 15, 2002, now Pat. No. Des. 485,355, and a continuation-in-part of application No. 29/166,160, filed on Nov. 15, 2002, now Pat. No. Des. 480,139.

(51) **LOC (7) Cl.** ..... **24-04**

(52) **U.S. Cl.** ..... **D24/126**

(58) **Field of Search** ..... D24/124, 126;  
604/358, 385.01, 386, 389, 390, 391, 378,  
394; D2/700, 701, 712

**References Cited**

**U.S. PATENT DOCUMENTS**

3,909,847 A	10/1975	Holt
4,410,324 A	10/1983	Sabee
4,462,115 A	7/1984	Carlson
4,500,316 A	2/1985	Damico
4,718,901 A	1/1988	Singheimer
4,737,994 A	4/1988	Galton
4,854,989 A	8/1989	Singheimer
4,962,769 A	10/1990	Garcia

\* cited by examiner

*Primary Examiner*—Stella Reid

(74) *Attorney, Agent, or Firm*—Godbey Griffiths Reiss

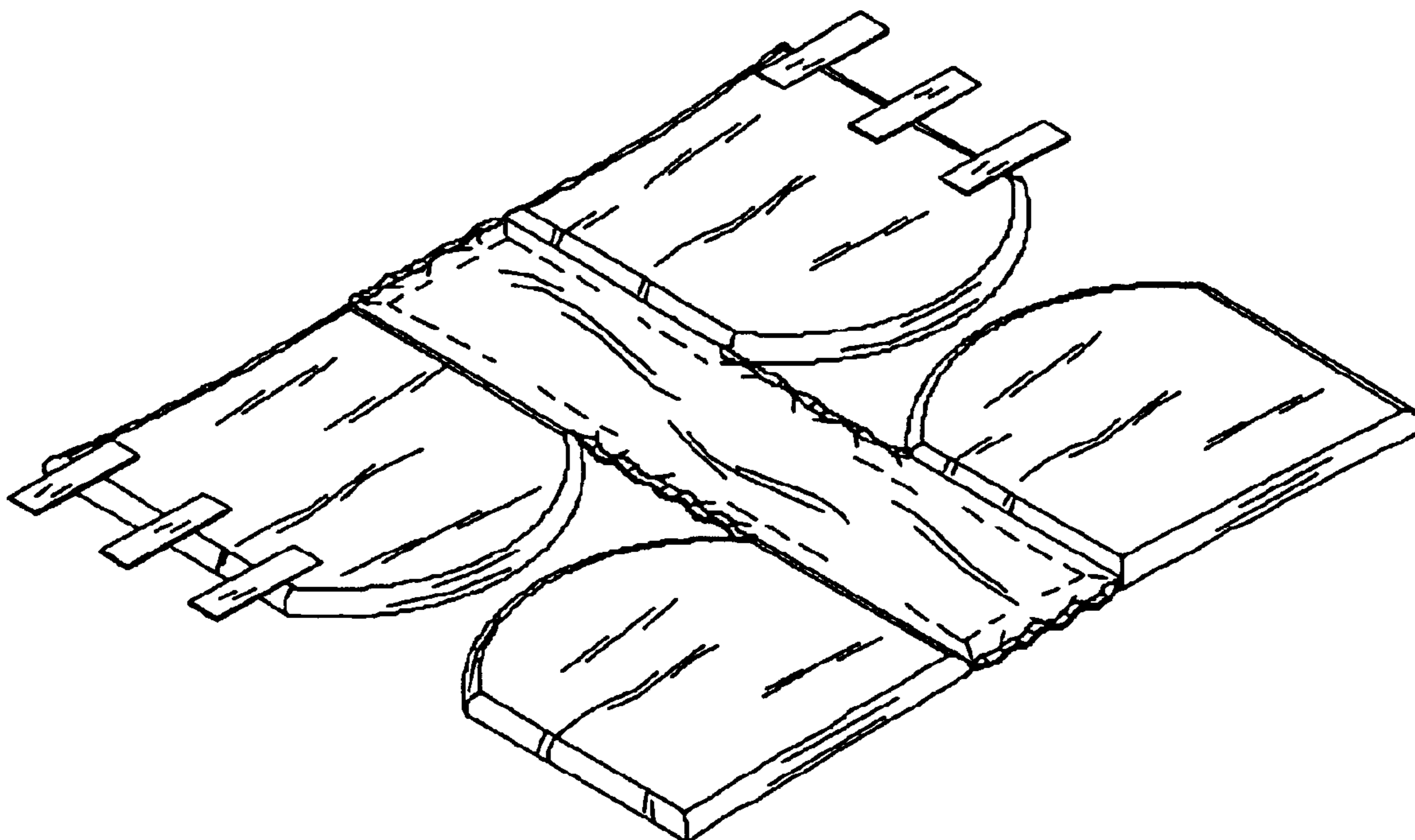
(57) **CLAIM**

I claim the ornamental design for a disposable adult diaper with hip protection padding, as shown and described.

**DESCRIPTION**

FIG. 1 is a bottom perspective view of a disposable adult diaper with hip protection padding, showing my new design; FIG. 2 is a top perspective view thereof; FIG. 3 is an end view thereof; FIG. 4 is a side view thereof; FIG. 5 is a top plan view thereof; and, FIG. 6 is a bottom plan view thereof. The broken line showing of a height in the center panel is for illustrative purposes only and forms no part of the claimed design.

**1 Claim, 2 Drawing Sheets**



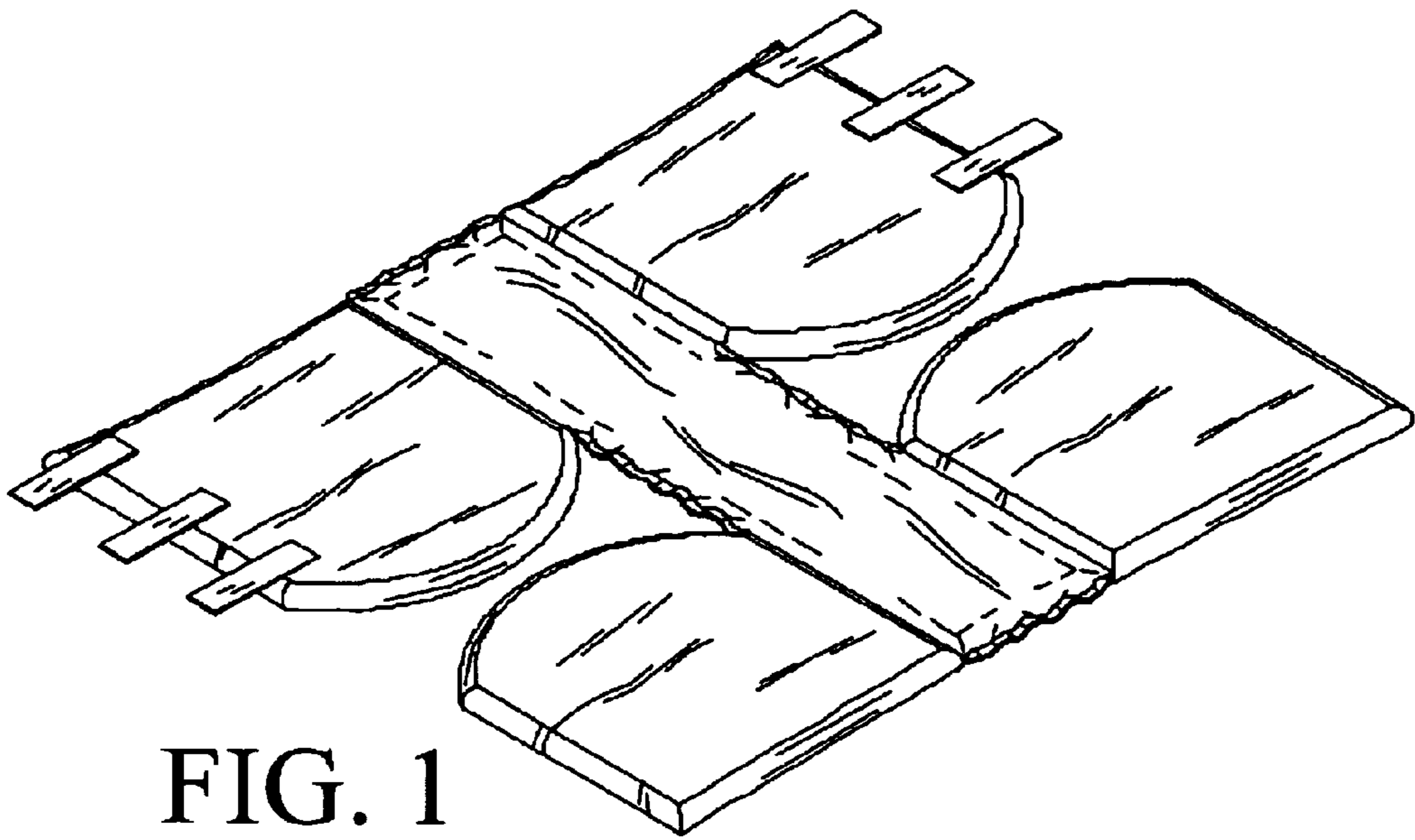


FIG. 1

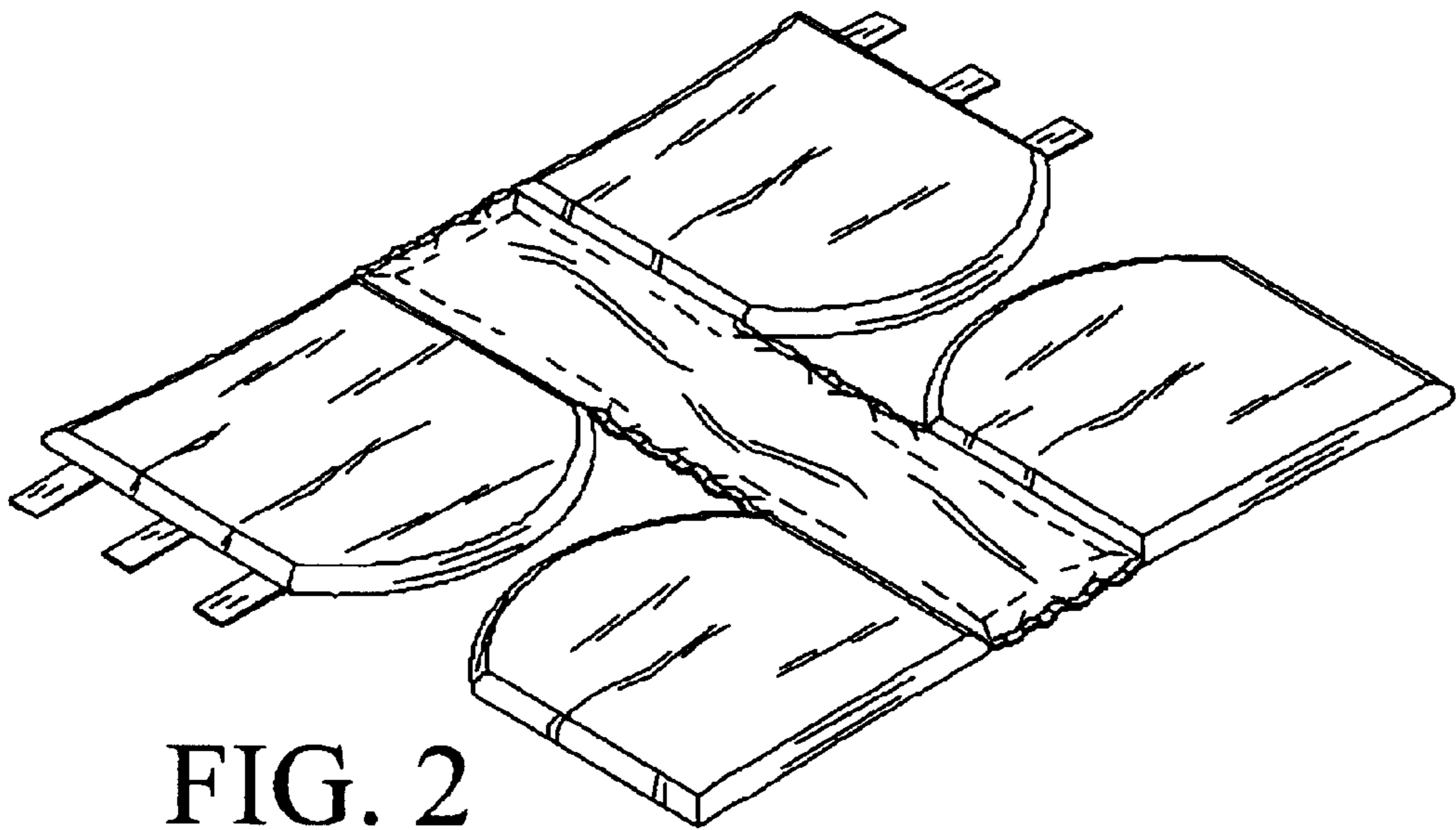


FIG. 2



FIG. 3



FIG. 4

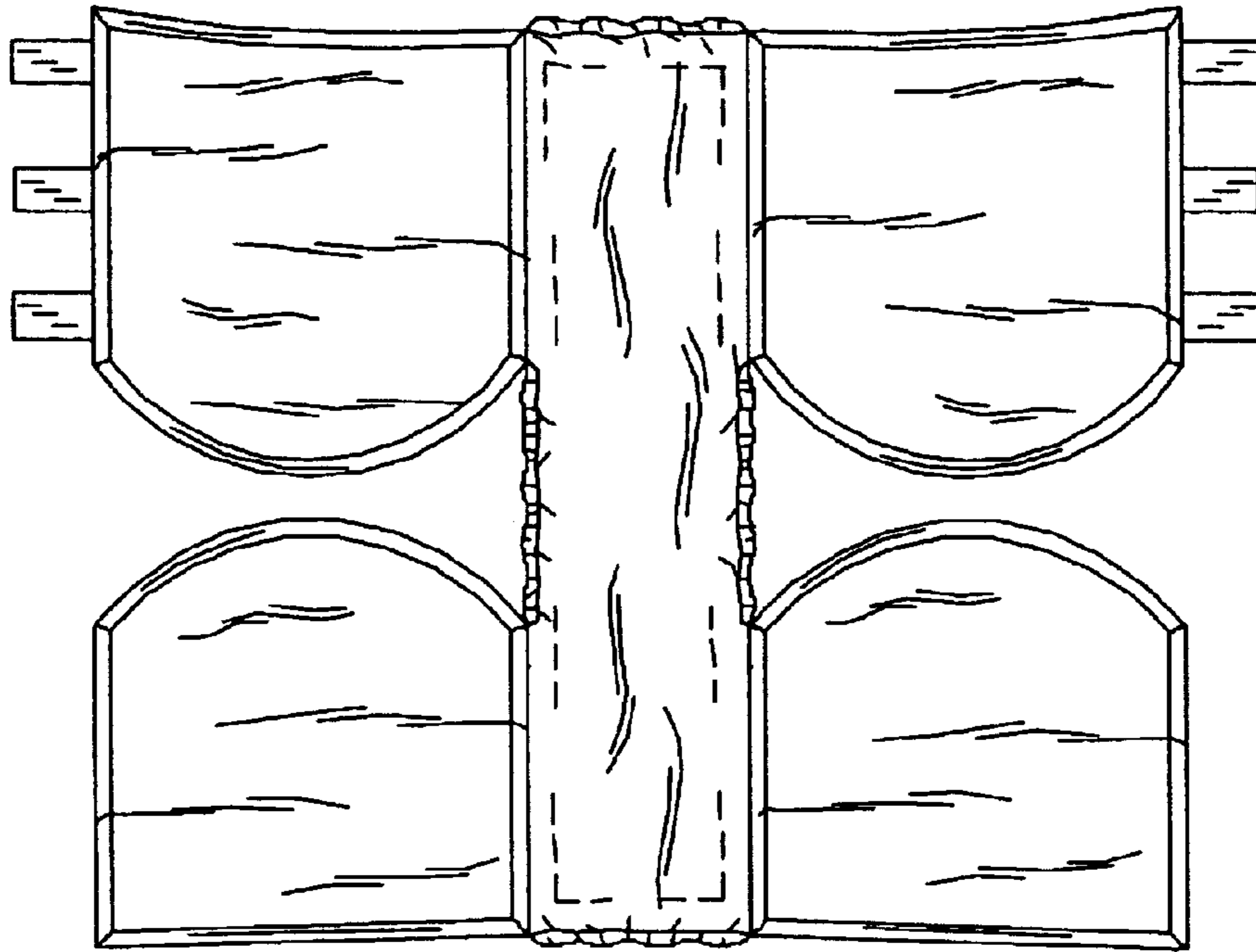


FIG. 5

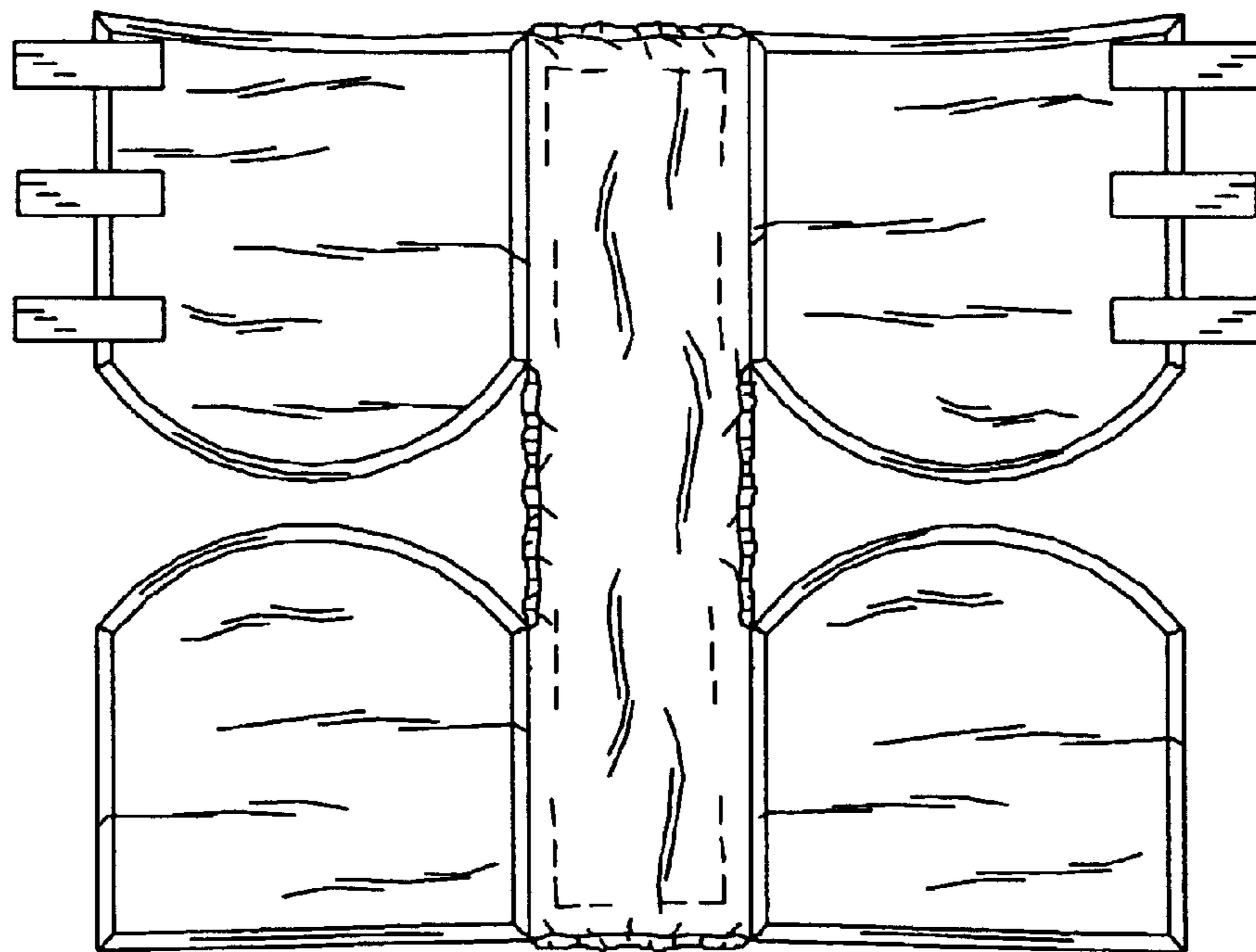


FIG. 6