

US00D493885S1

(12) **United States Design Patent**
Raje et al.

(10) **Patent No.: US D493,885 S**
(45) **Date of Patent: ** Aug. 3, 2004**

(54) **FULL FACE MASK**

(75) Inventors: **Milind C Raje**, Wentworthville (AU);
Aaron Samuel Davidson, Newport (AU);
Jim Saada, Kellyville (AU);
Richard Sokolov, Earlwood (AU)

(73) Assignee: **ResMed Limited**, North Ryde (AU)

(**) Term: **14 Years**

(21) Appl. No.: **29/181,057**

(22) Filed: **May 5, 2003**

(51) **LOC (7) Cl.** **29-02**

(52) **U.S. Cl.** **D24/110.1; D24/110.4;**
D24/110.5

(58) **Field of Search** D24/110.1, 110.4,
D24/110.5, 164; 128/205.25, 206.27, 207.11,
206.26, 207.17, 207.13

(56) **References Cited**

U.S. PATENT DOCUMENTS

D322,318 S	*	12/1991	Sullivan	D24/164
D430,663 S		9/2000	Smart		
D443,355 S		6/2001	Gunaratnam et al.		
D464,427 S		10/2002	Smart		
D468,823 S	*	1/2003	Smart	D24/110.1
6,532,961 B1	*	3/2003	Gunaratnam et al.	..	128/205.25
D486,226 S	*	2/2004	Guney et al.	D24/110.1
2002/0023649 A1	*	2/2002	Gunaratnam et al.	..	128/205.25
2003/0089373 A1	*	5/2003	Gradon et al.	128/206.27
2003/0164170 A1	*	9/2003	Drew et al.	128/207.12

OTHER PUBLICATIONS

Product Brochure, "Spectrum® Reusable Full Face Mask",
Respironics (1999), 2 pgs.

* cited by examiner

Primary Examiner—Ian Simmons

(74) *Attorney, Agent, or Firm*—Nixon & Vanderhye P.C.

(57) **CLAIM**

The ornamental design for a full face mask, as shown and described.

DESCRIPTION

FIG. 1 is a front perspective view of a full face mask according to a first embodiment of our design;

FIG. 2 is a front view thereof;

FIG. 3 rear view thereof;

FIG. 4 is a right side view thereof, with the left side view being a mirror image thereof;

FIG. 5 is a bottom view thereof;

FIG. 6 is a top view thereof;

FIG. 7 is a front perspective of a full face mask according to a second embodiment of our design;

FIG. 8 is a front view thereof;

FIG. 9 is a rear view thereof;

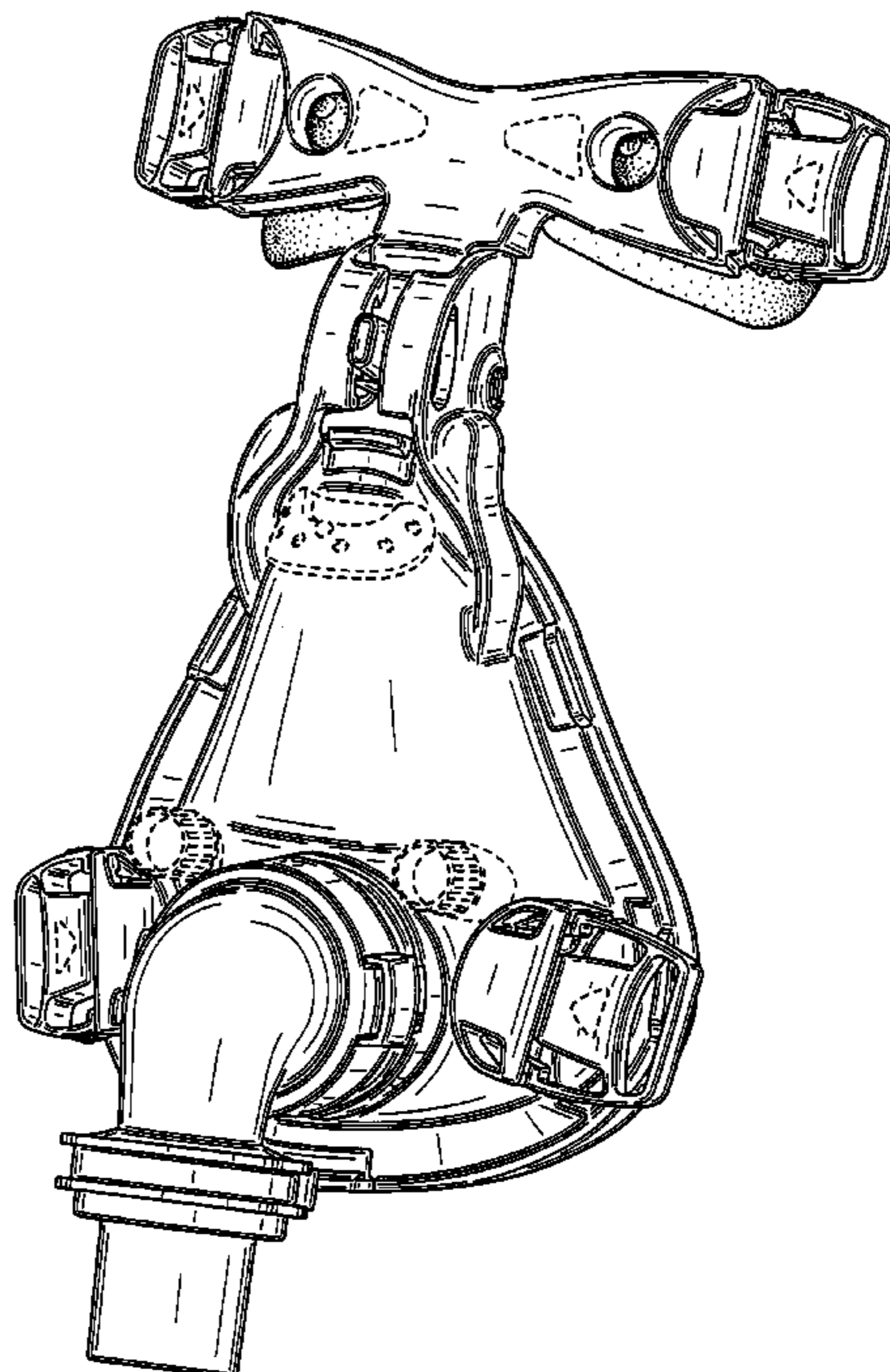
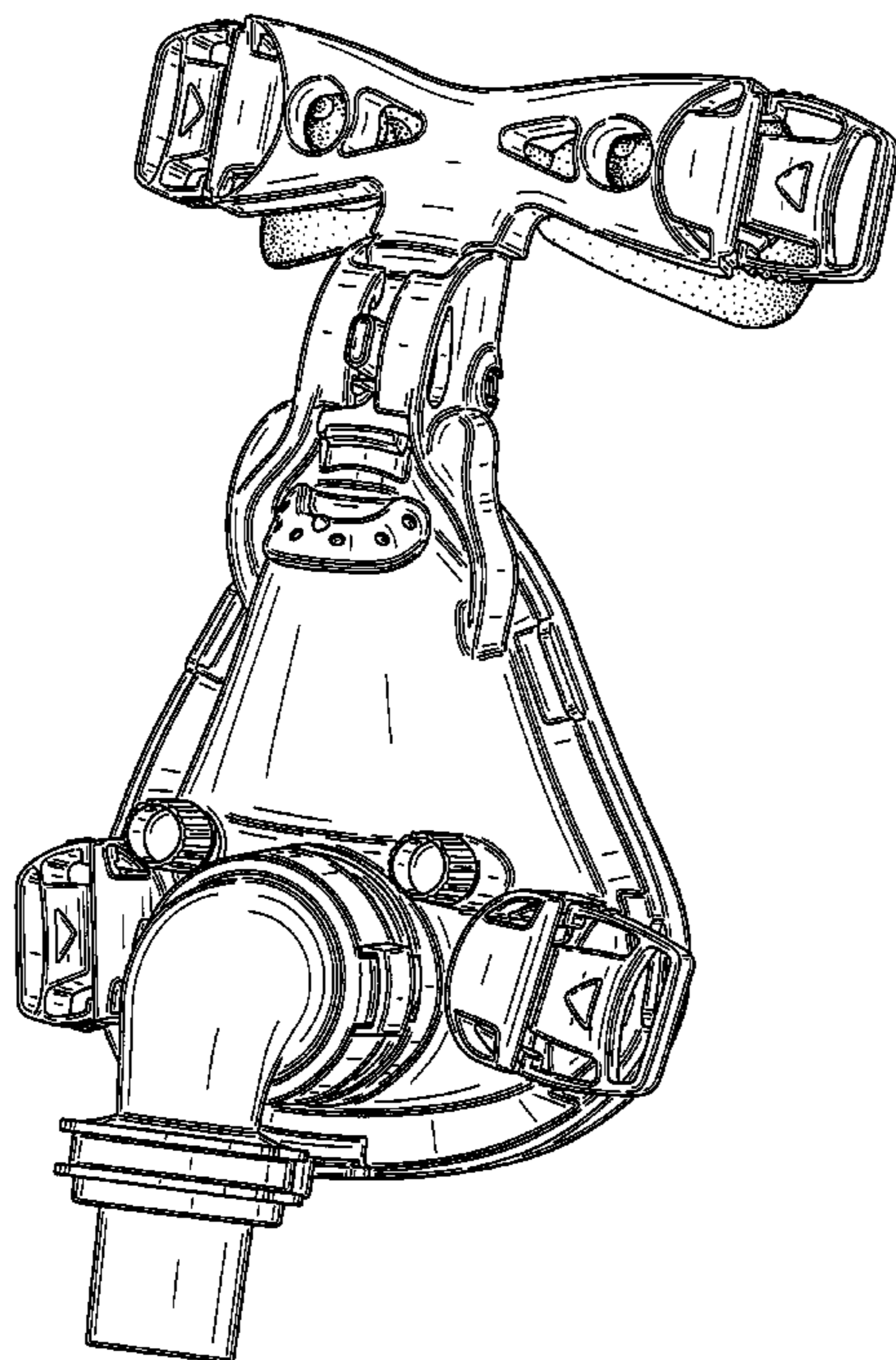
FIG. 10 is a right side view thereof, with the left side view being a mirror image thereof;

FIG. 11 is a bottom view thereof; and,

FIG. 12 is a top view thereof.

Where included, broken lines showing environment or structure are for illustrative purposes only and form no part of the claimed design.

1 Claim, 12 Drawing Sheets



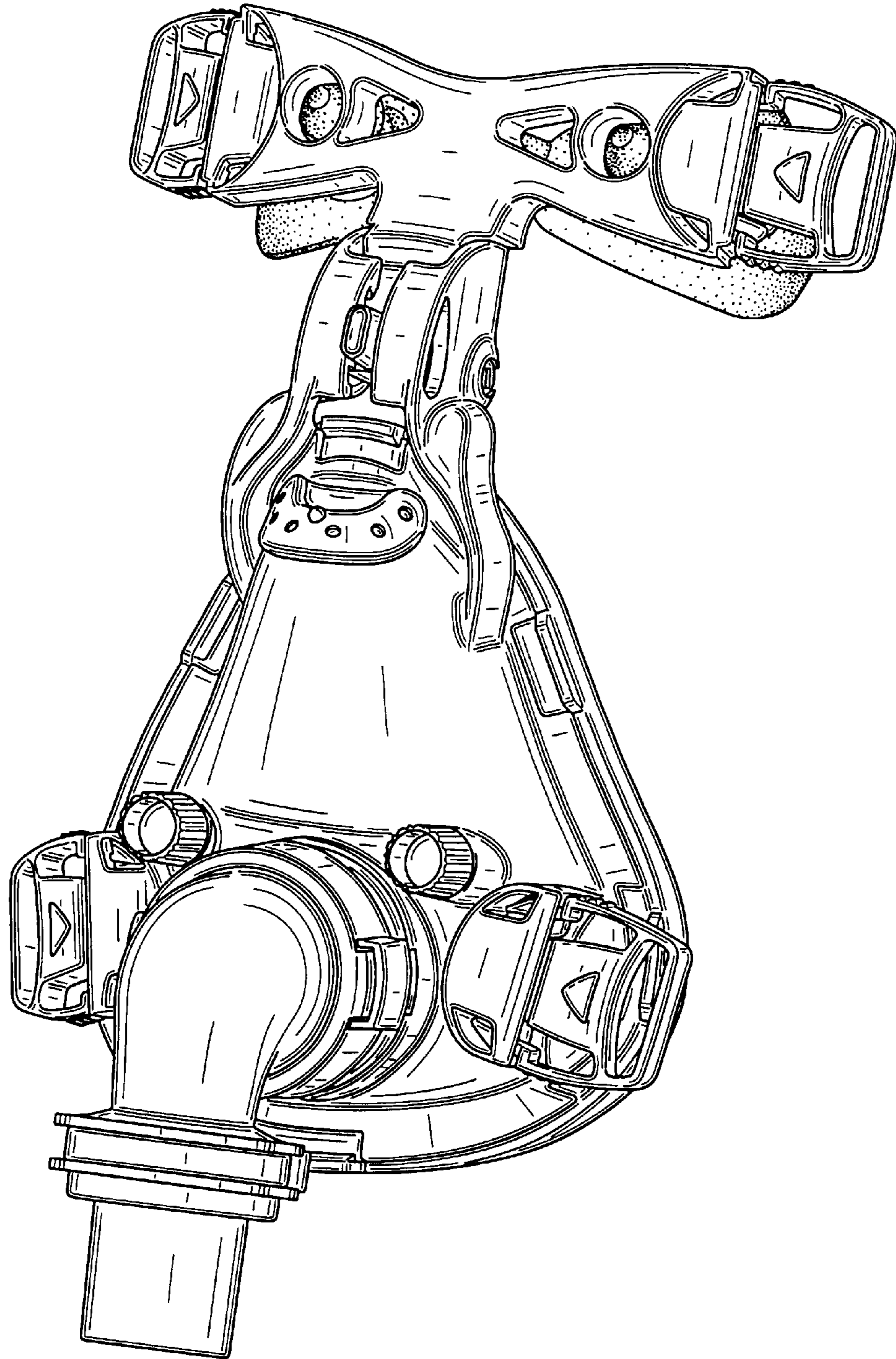


FIG. 1

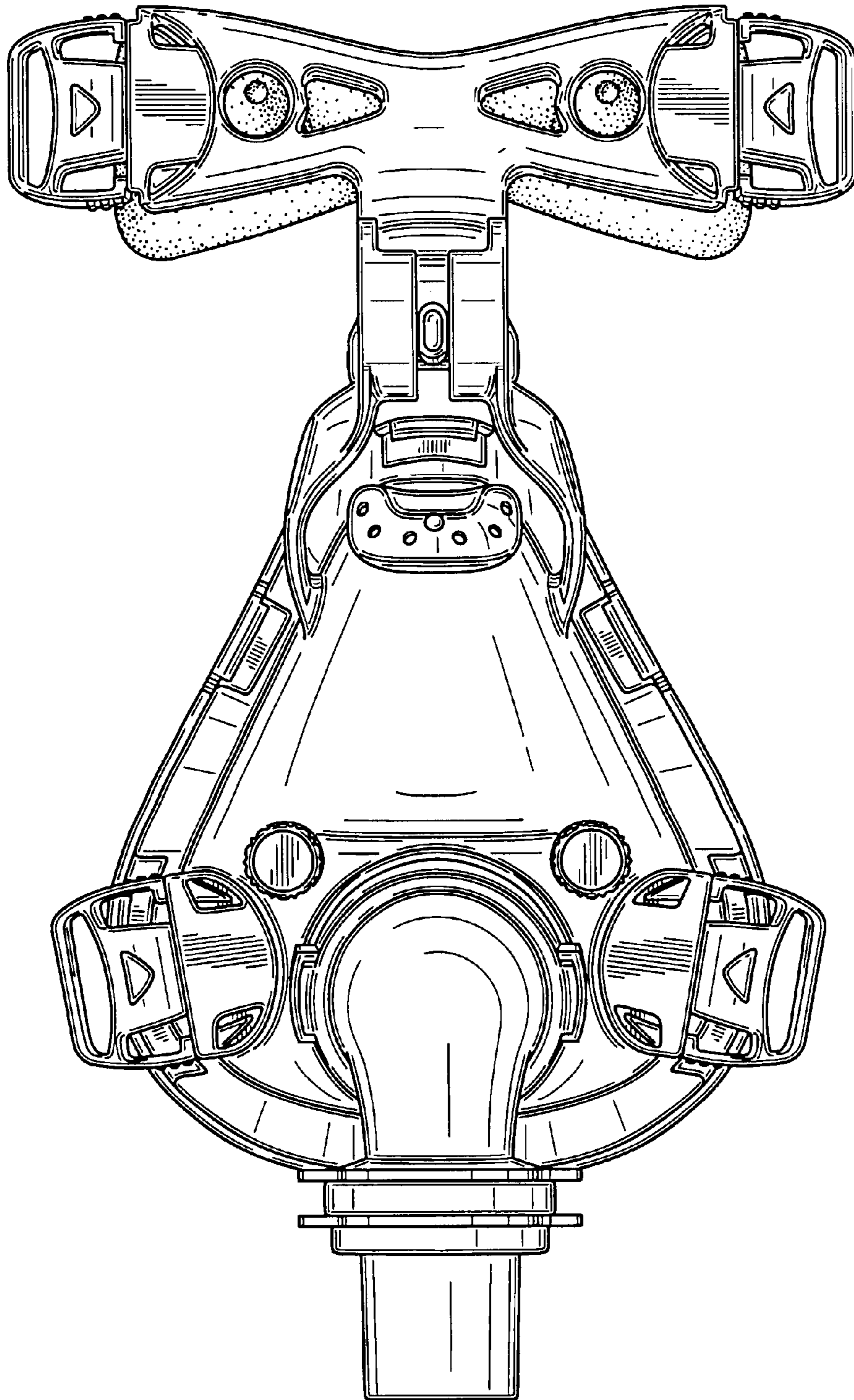


FIG. 2

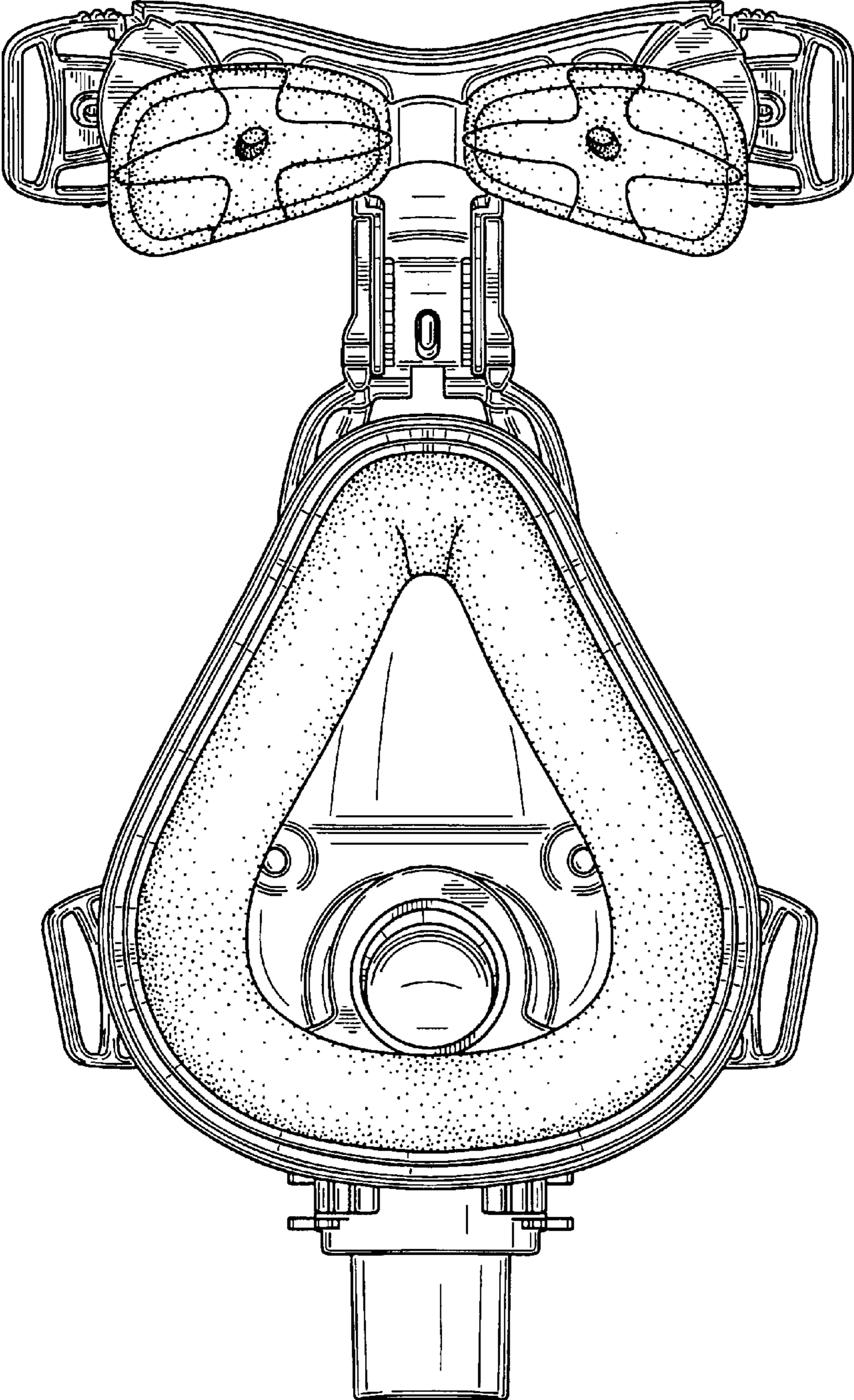


FIG. 3

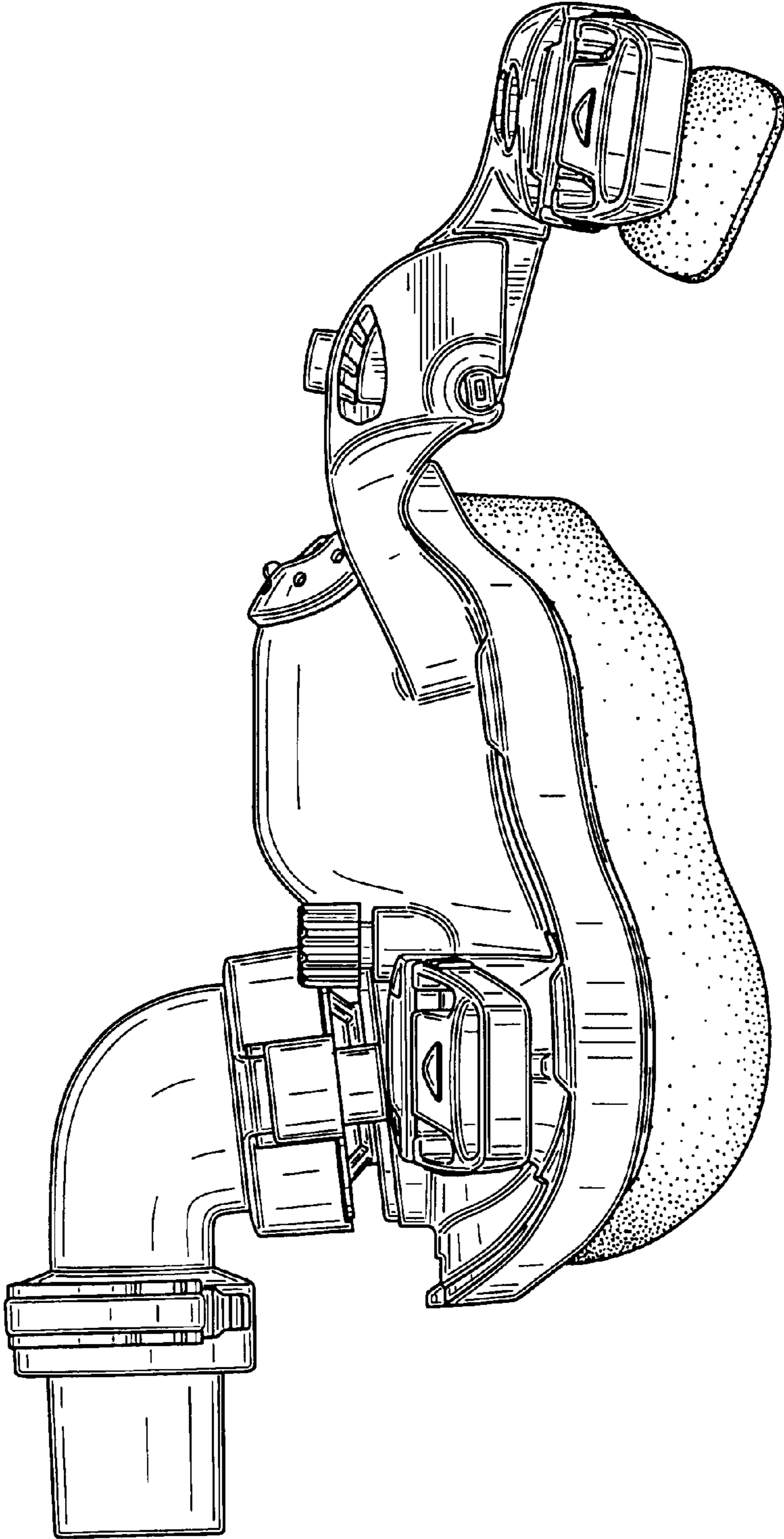


FIG. 4

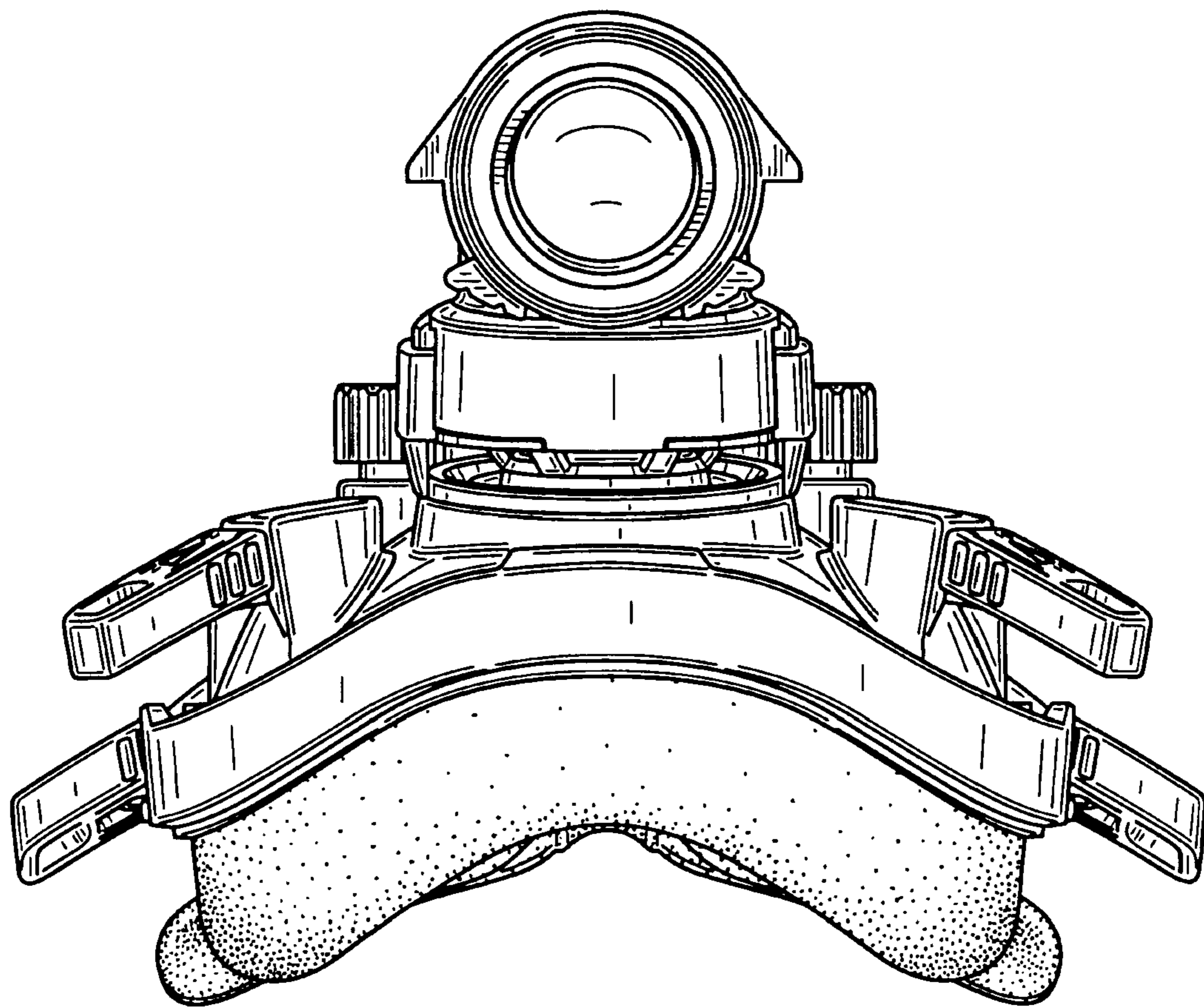


FIG. 5

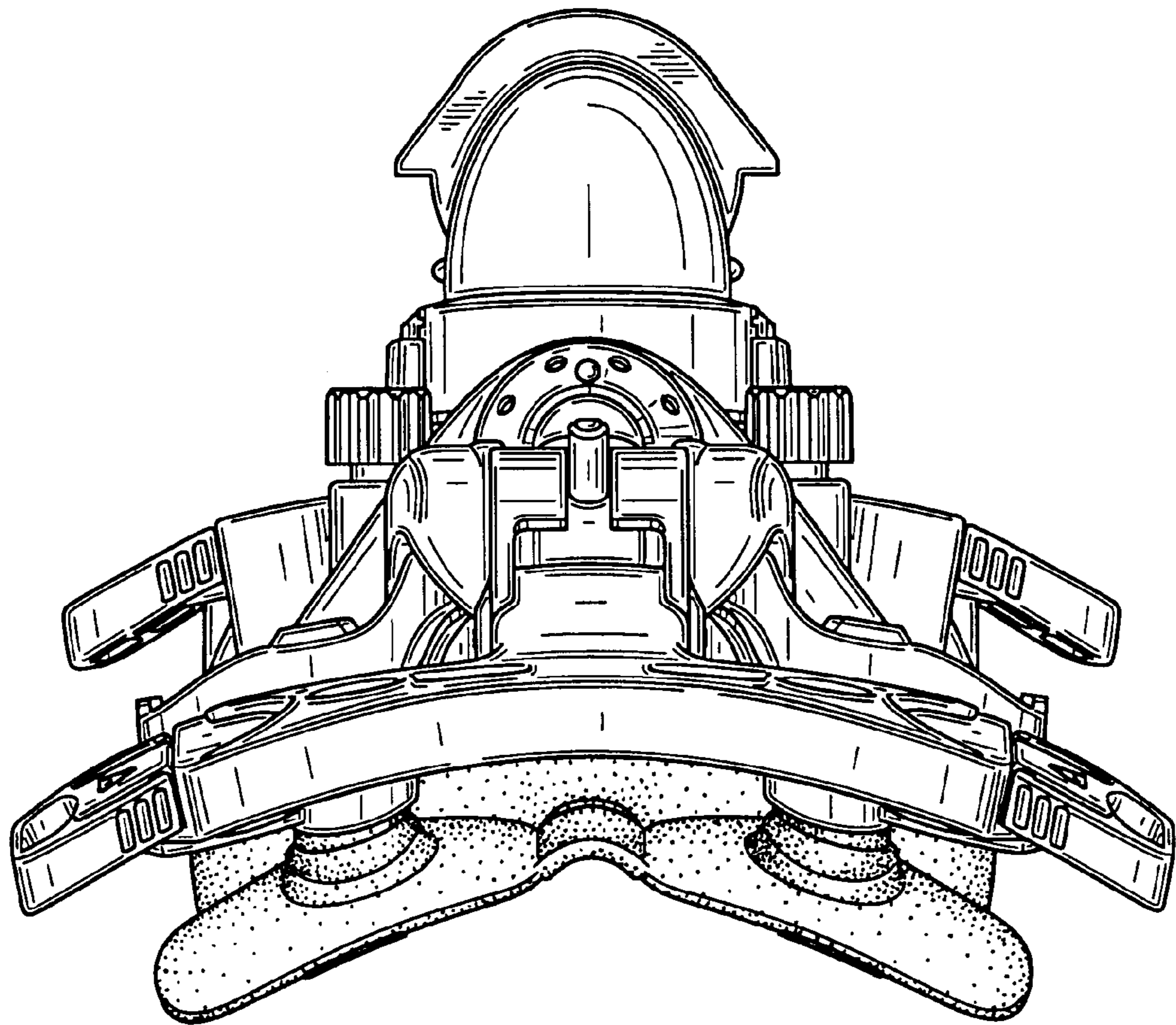


FIG. 6

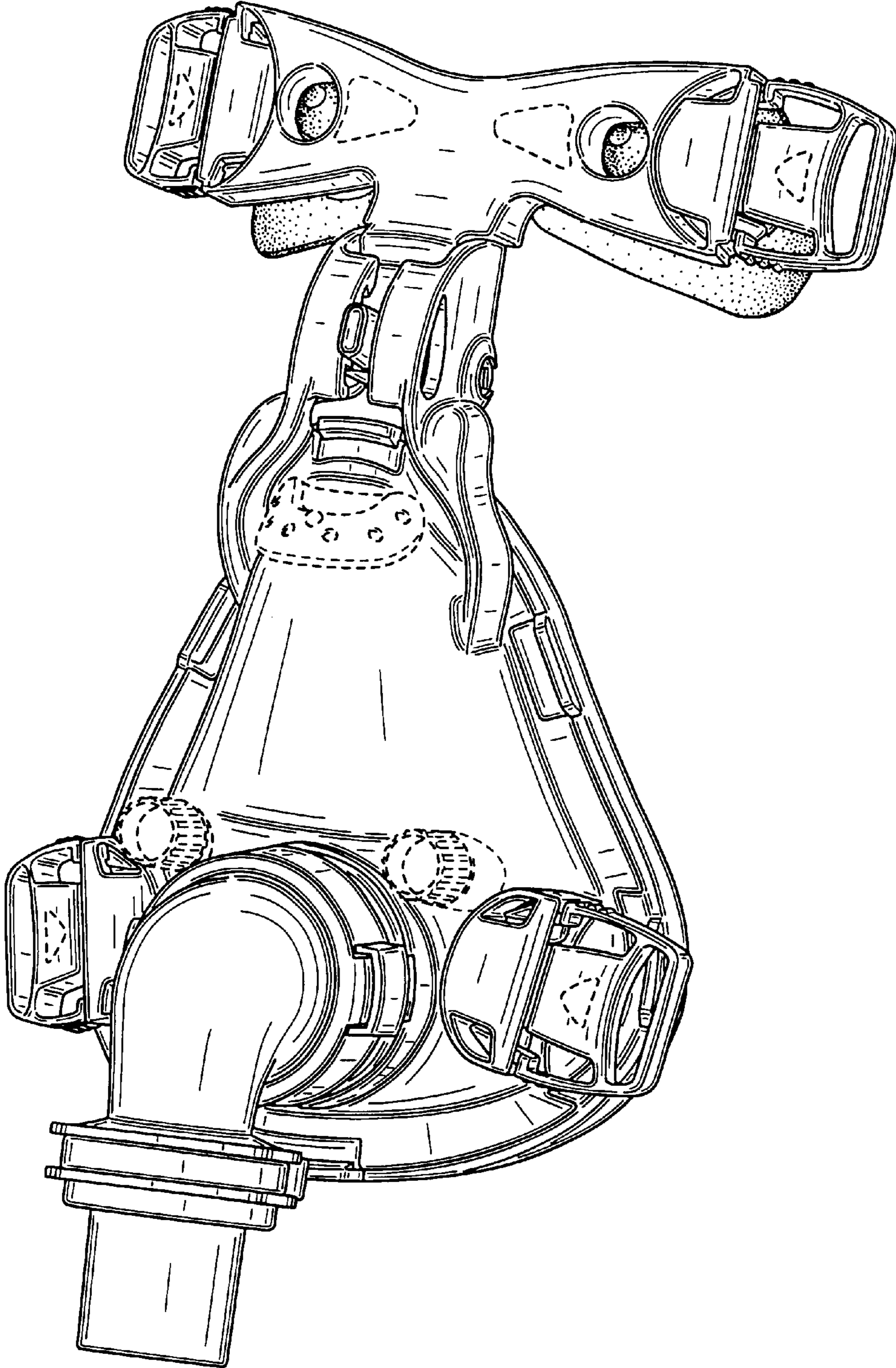


FIG. 7

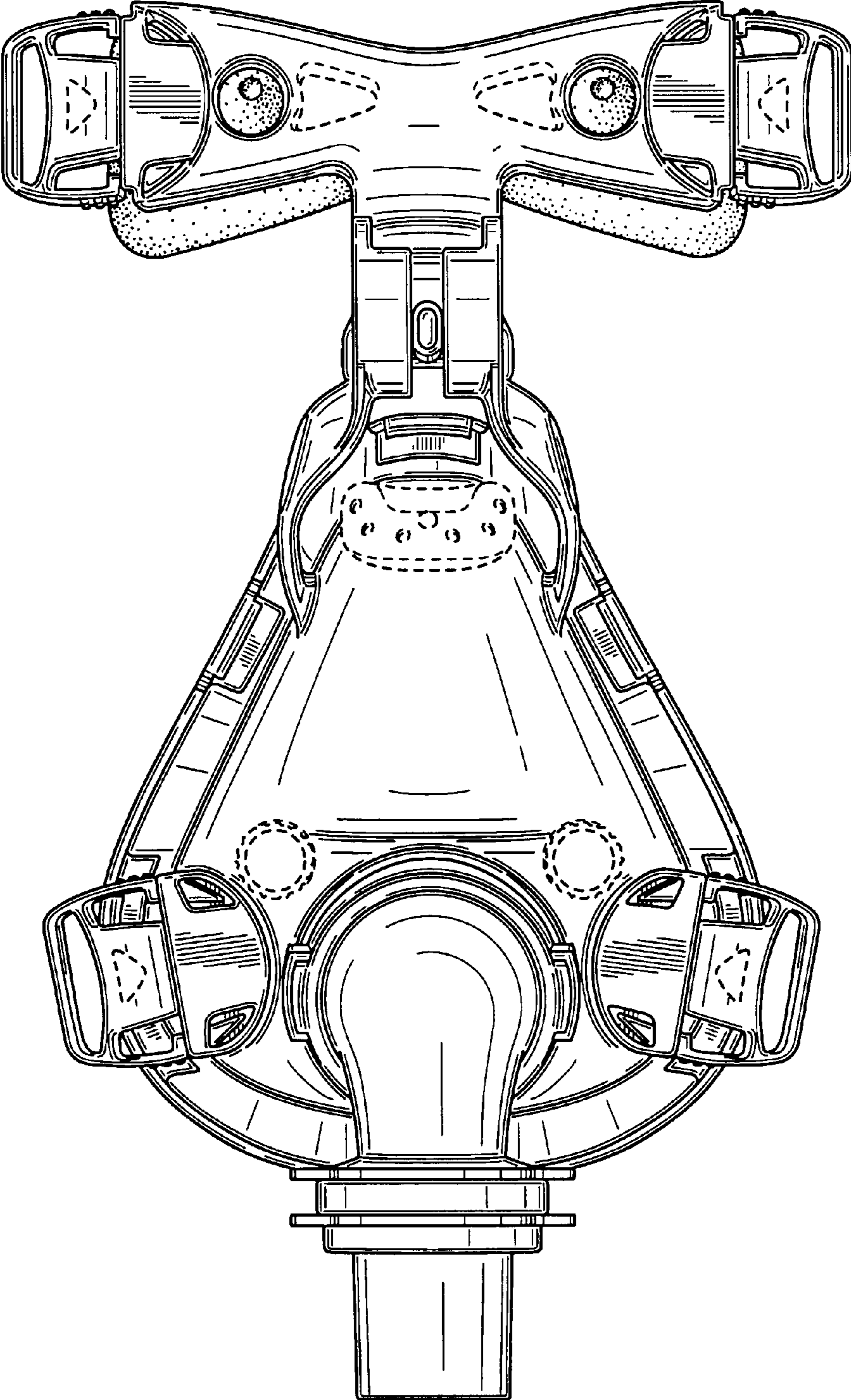


FIG. 8

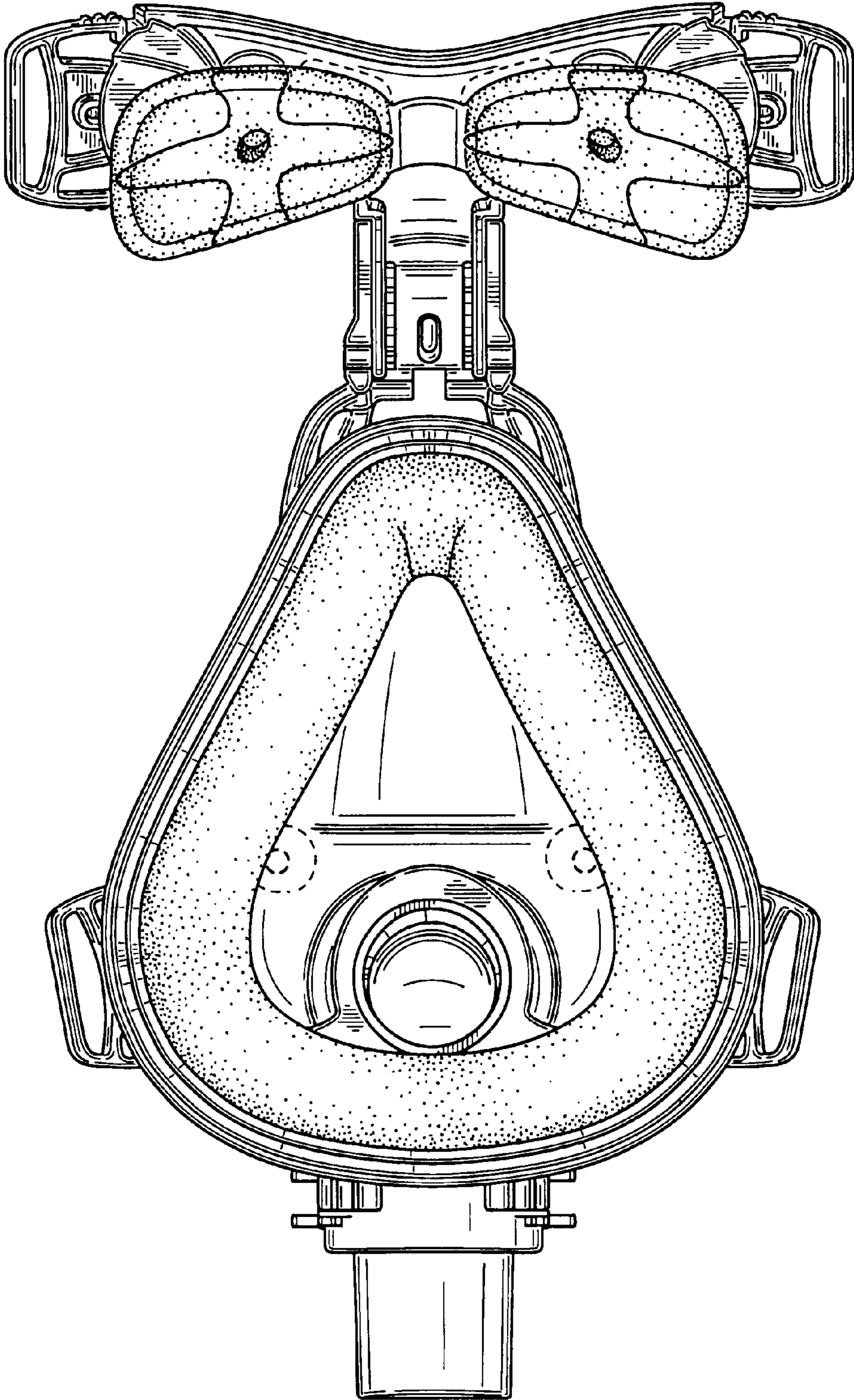


FIG. 9

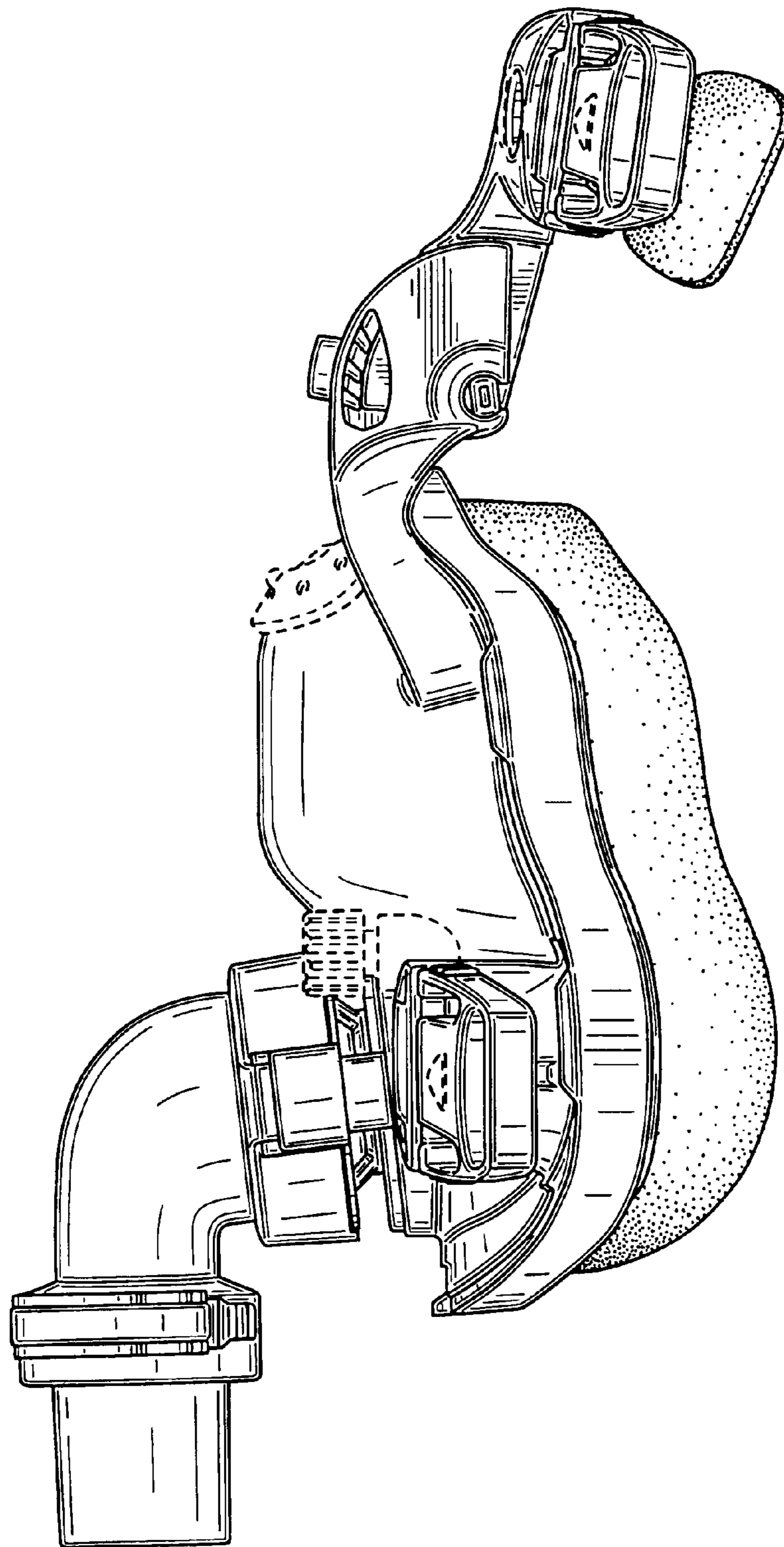


FIG. 10

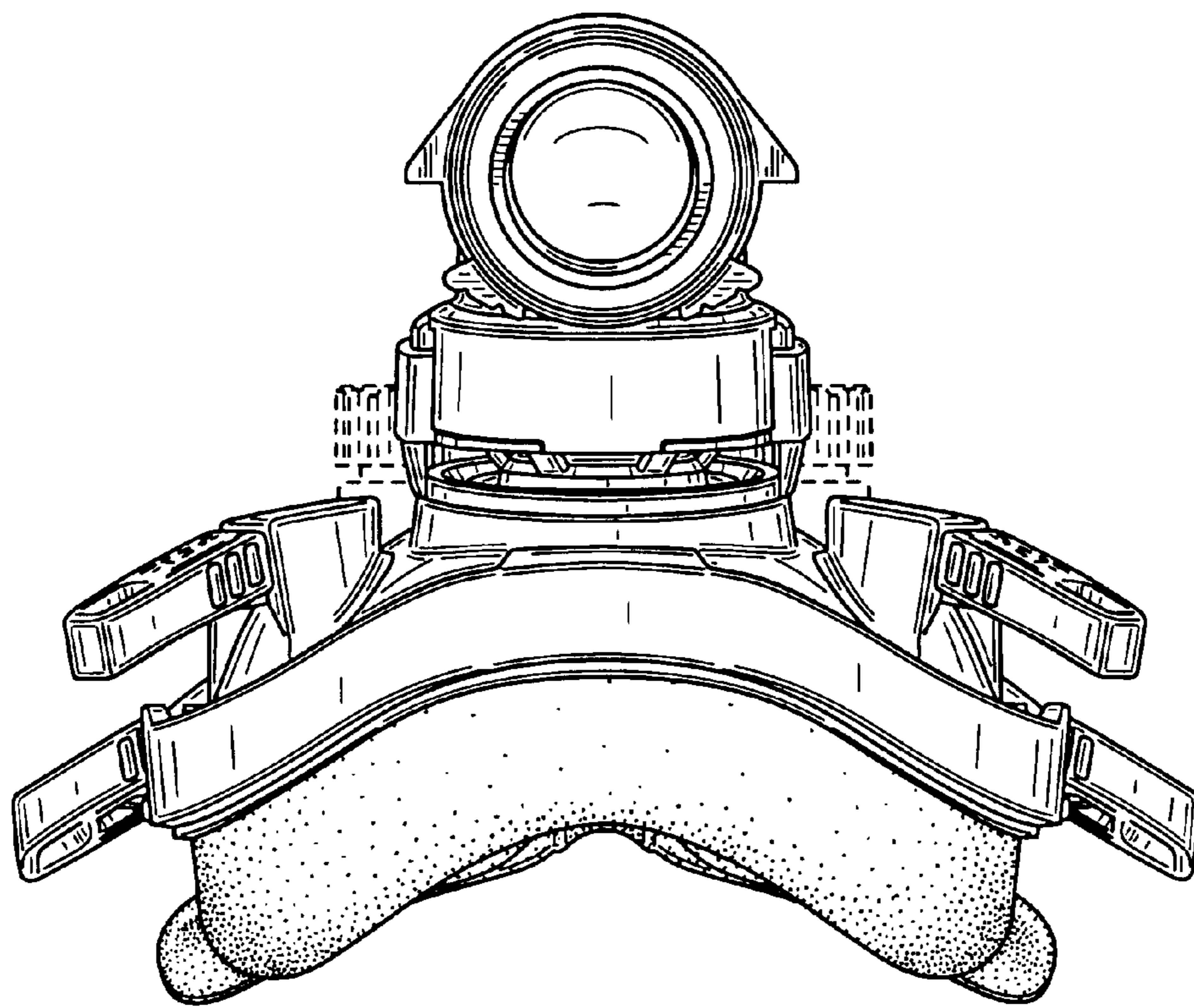


FIG. 11

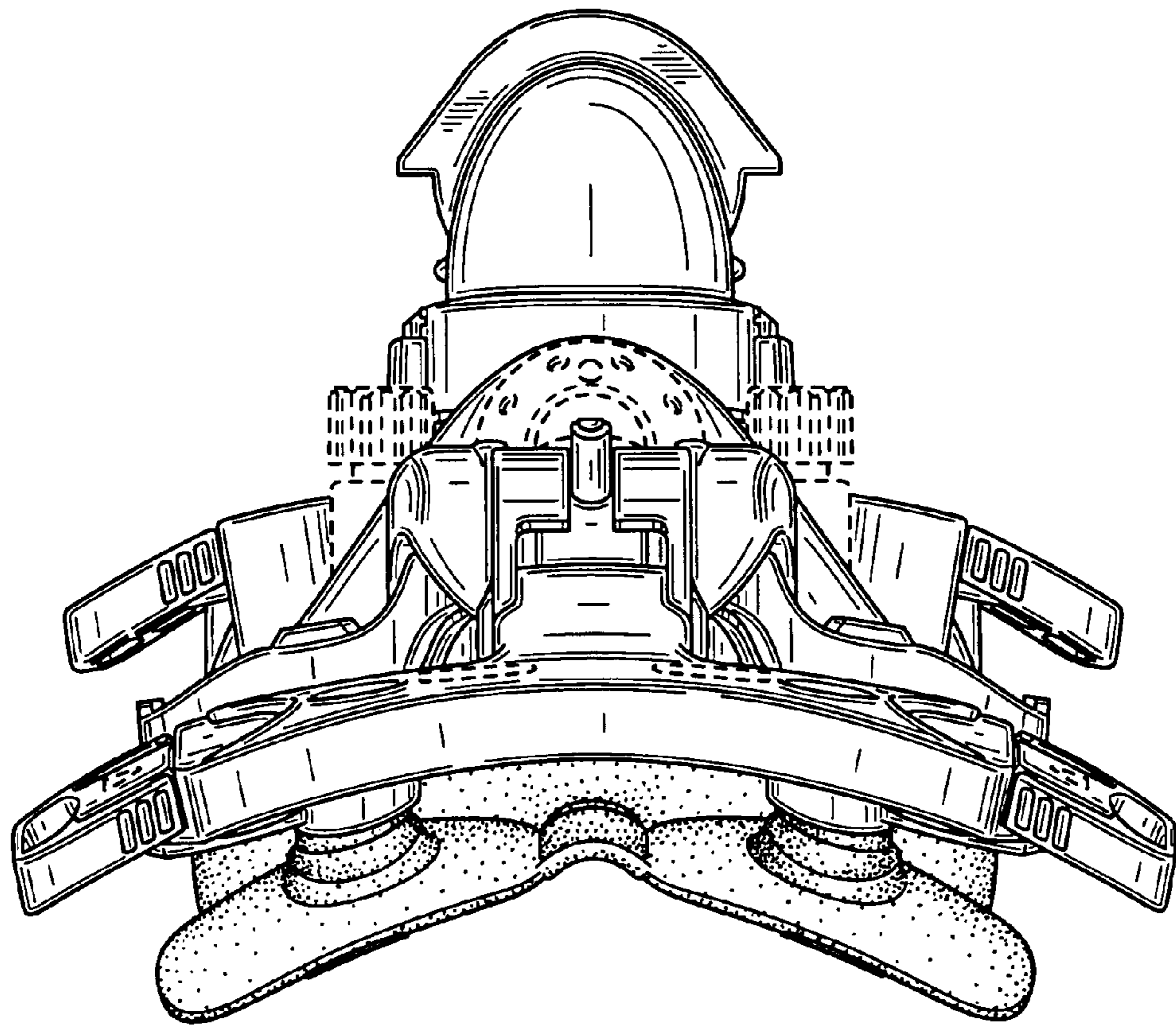


FIG. 12