

US00D493881S1

(12) **United States Design Patent**
Lin et al.

(10) **Patent No.:** **US D493,881 S**
(45) **Date of Patent:** **** Aug. 3, 2004**

(54) **DUAL-SLAT REGISTER FOR A FAN TRAY**

D286,563 S * 11/1986 Kupferberg D23/392
5,968,216 A * 10/1999 Powell et al. 55/493
6,511,373 B2 * 1/2003 Howard et al. 454/298

(75) Inventors: **Hsu-Jung Lin**, Hsin-Chuang (TW);
Jin-Shian Chen, Hsin-Chuang (TW);
Chien-Chung Li, Hsin-Chuang (TW)

* cited by examiner

(73) Assignee: **Datech Technology Co., Ltd.**, Taipei
Hsien (TW)

Primary Examiner—Robert A. Delehanty
(74) *Attorney, Agent, or Firm*—Troxell Law Office PLLC

(**) Term: **14 Years**

(57) **CLAIM**

(21) Appl. No.: **29/180,907**

The ornamental design for dual-slat register for a fan tray, as shown and described.

(22) Filed: **May 2, 2003**

(51) **LOC (7) Cl.** **23-04**

(52) **U.S. Cl.** **D23/392**

(58) **Field of Search** D23/354, 314,
D23/329, 386–387, 393, 421, 392, 499;
454/224, 227, 380, 906, 283–284, 307,
309, 370, 330–331, 298, 293; 138/106,
128, 172, 155–156, 177–178, DIG. 11;
55/502, 493, 486, 490, 490.1, 508, 491–494,
510, 529; 126/41 R; 160/114, 89, 91–92,
104, 136–165

DESCRIPTION

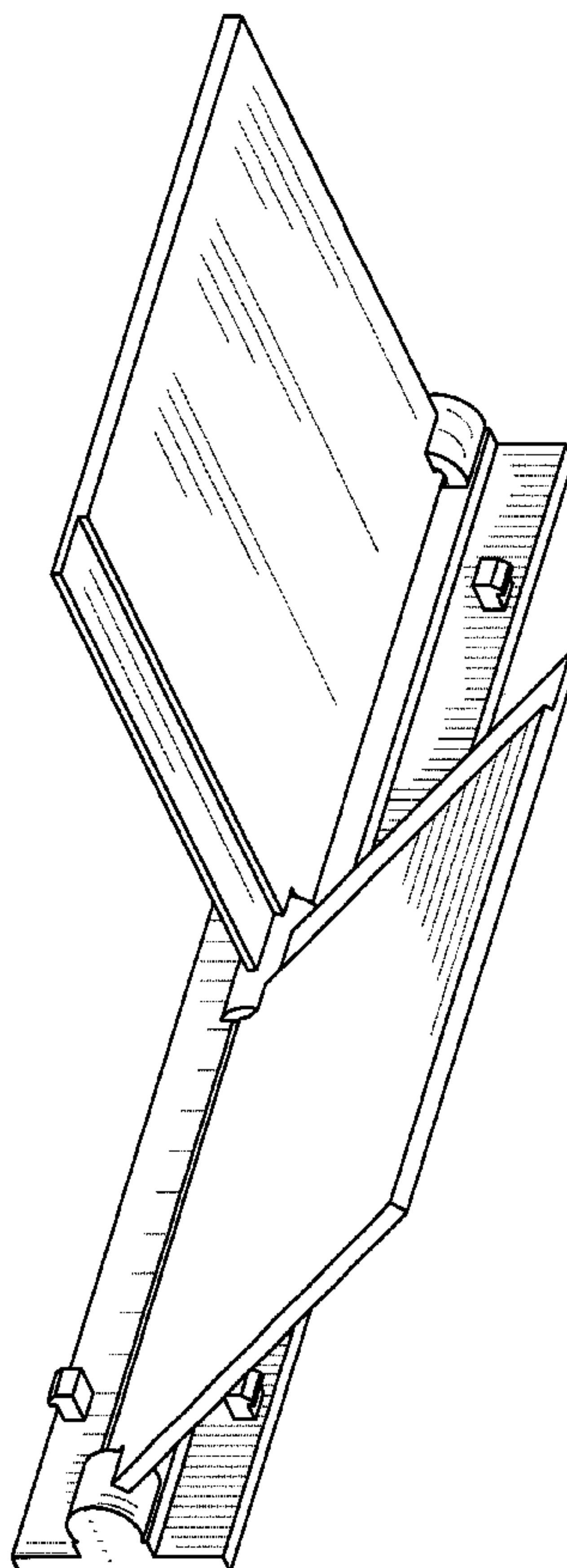
FIG. 1 is a perspective view of dual-slat register for a fan tray, in accordance with the present invention;
FIG. 2 is a front elevational view thereof;
FIG. 3 is a rear elevational view thereof;
FIG. 4 is a left side elevational view thereof;
FIG. 5 is a right side elevational view thereof;
FIG. 6 is a top plan view thereof; and,
FIG. 7 is a bottom plan view thereof.

(56) **References Cited**

U.S. PATENT DOCUMENTS

1,966,728 A * 7/1934 Lecluyse 160/114

1 Claim, 7 Drawing Sheets



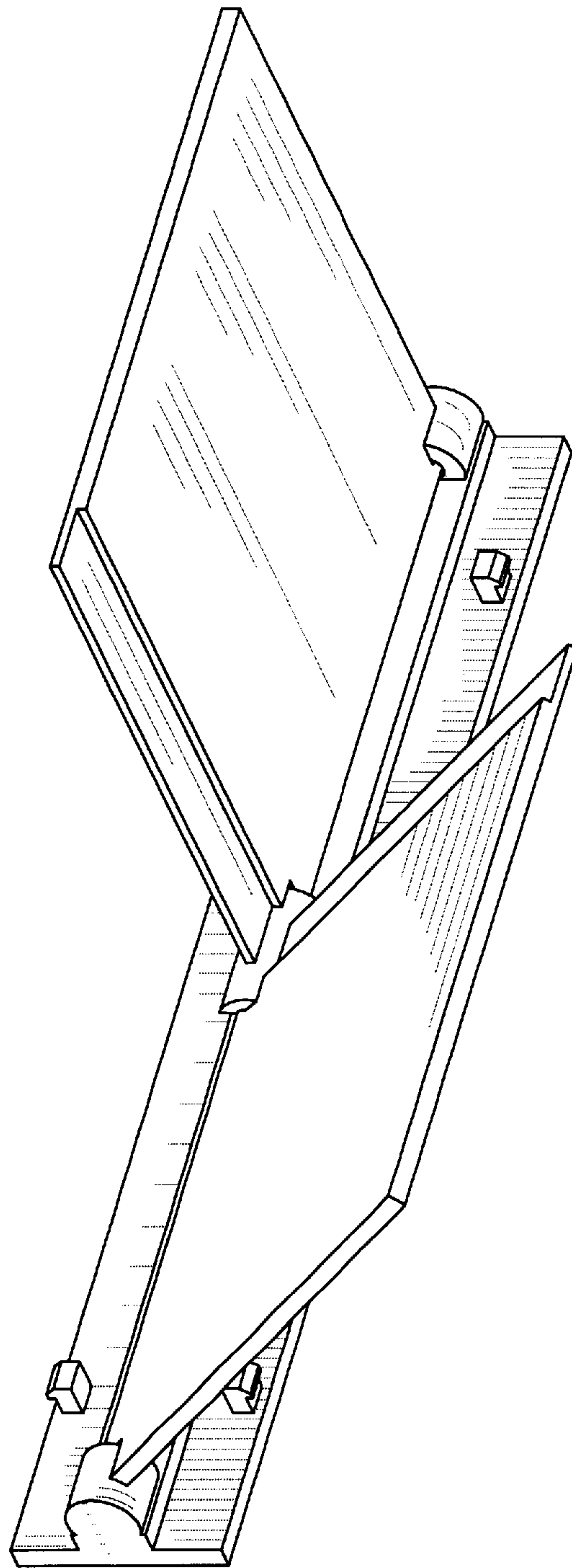


FIG. 1

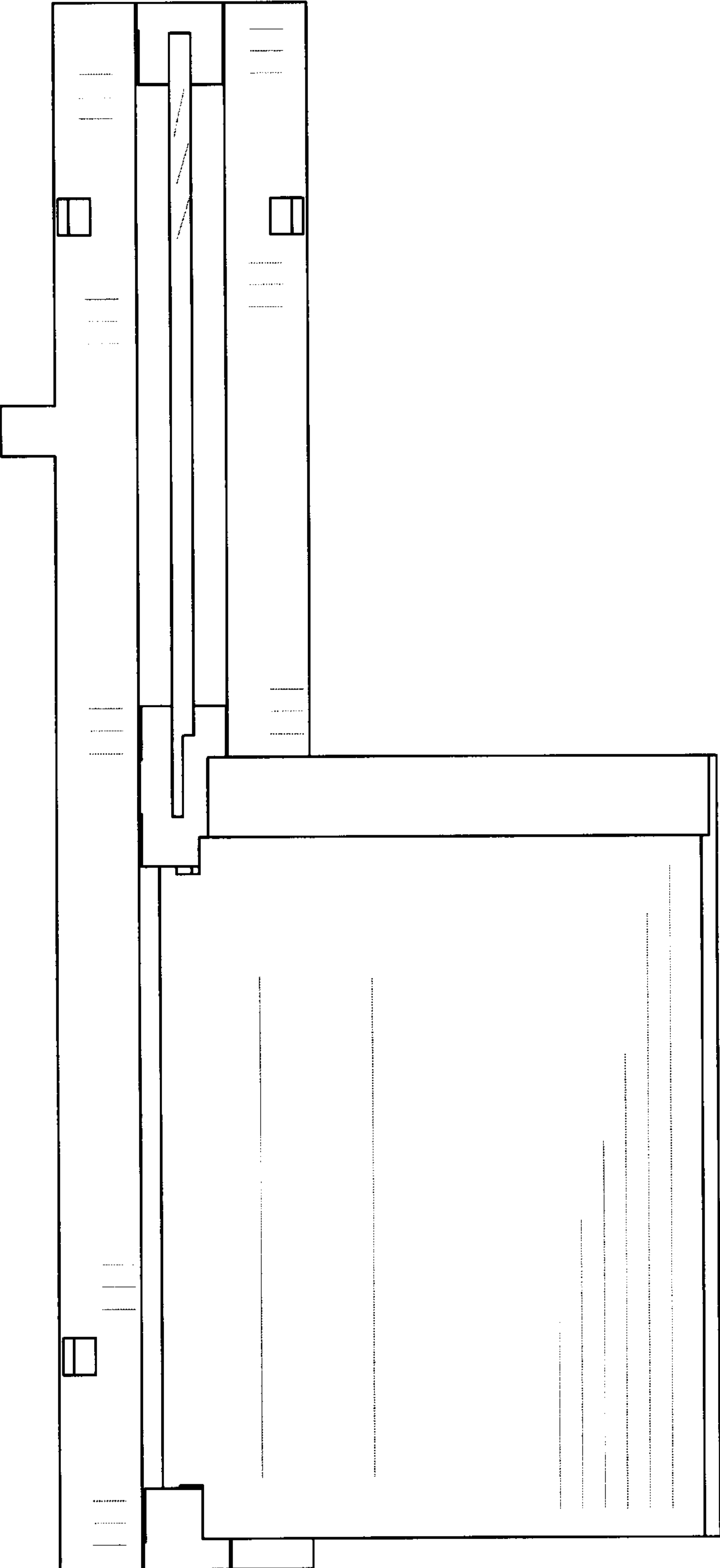


FIG. 2



FIG. 3

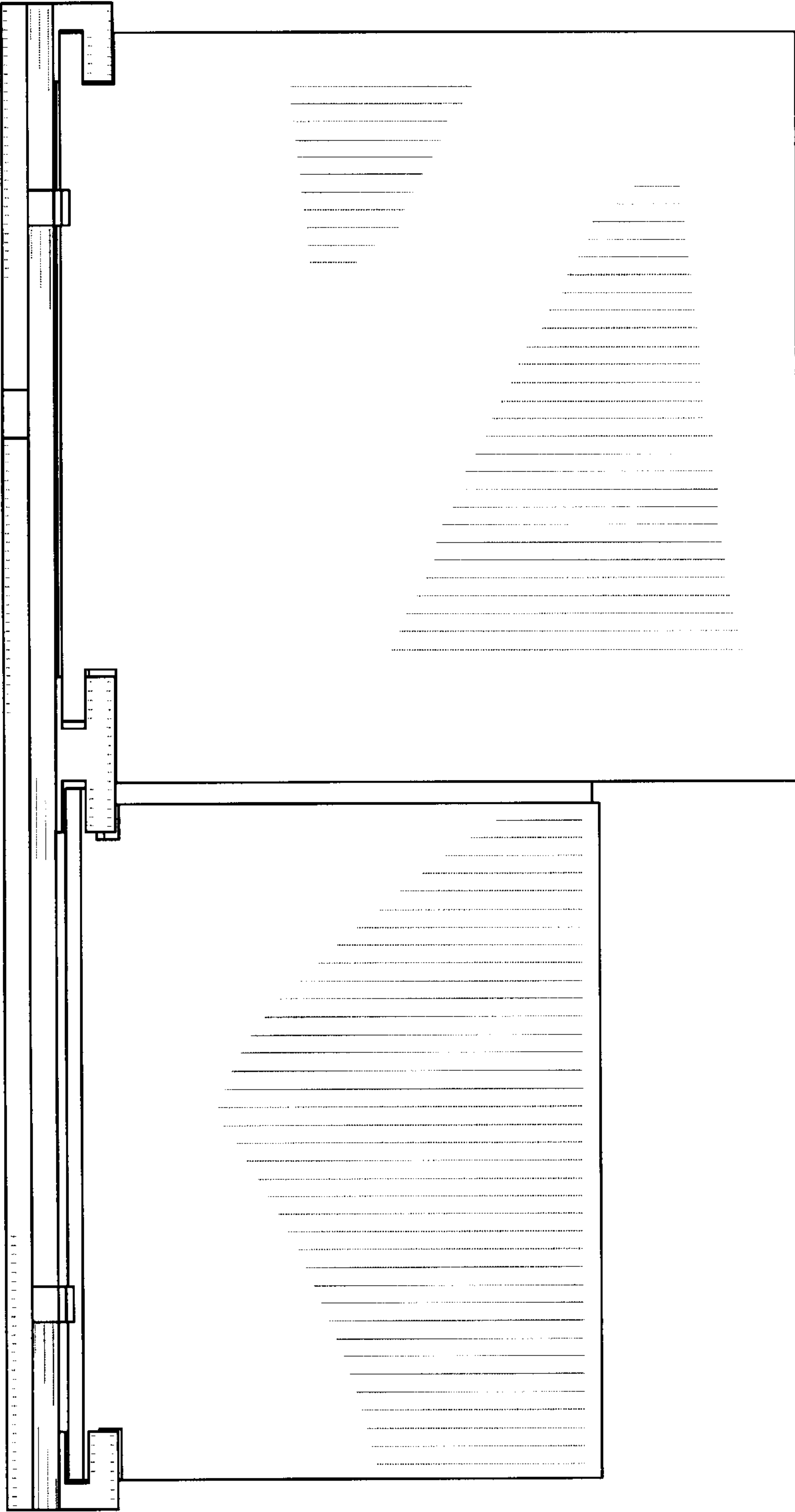


FIG. 4

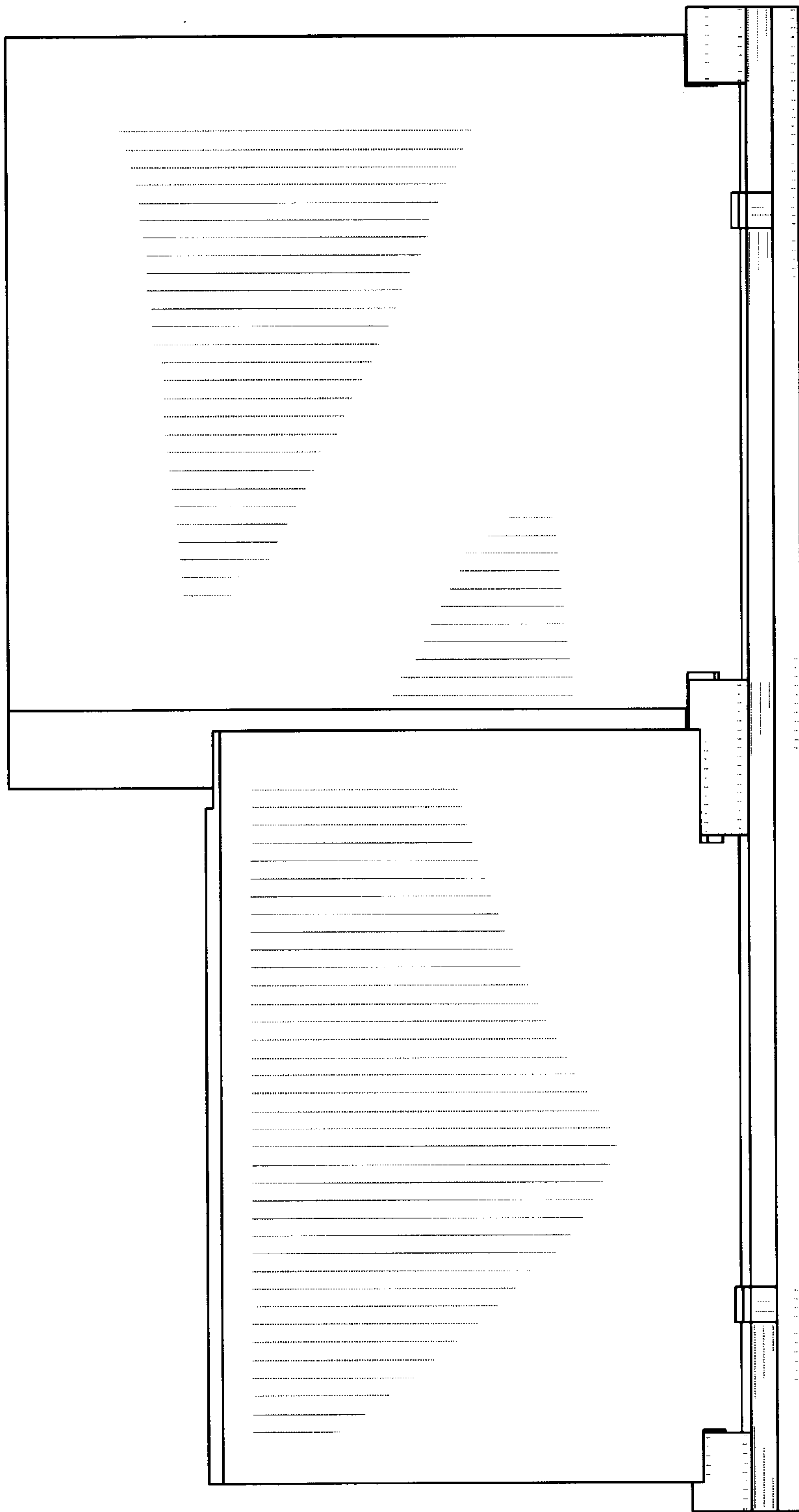


FIG. 5

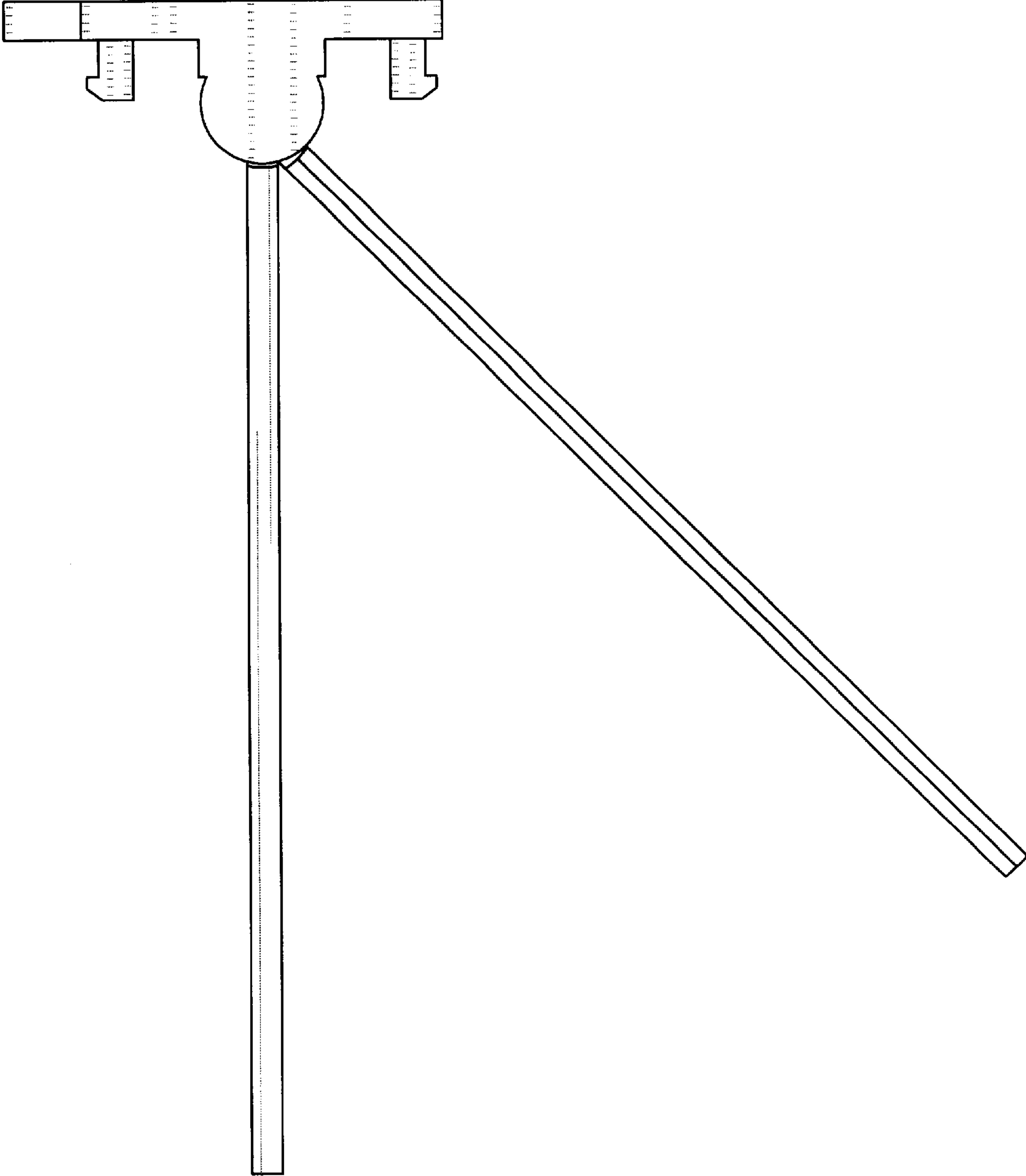


FIG. 6

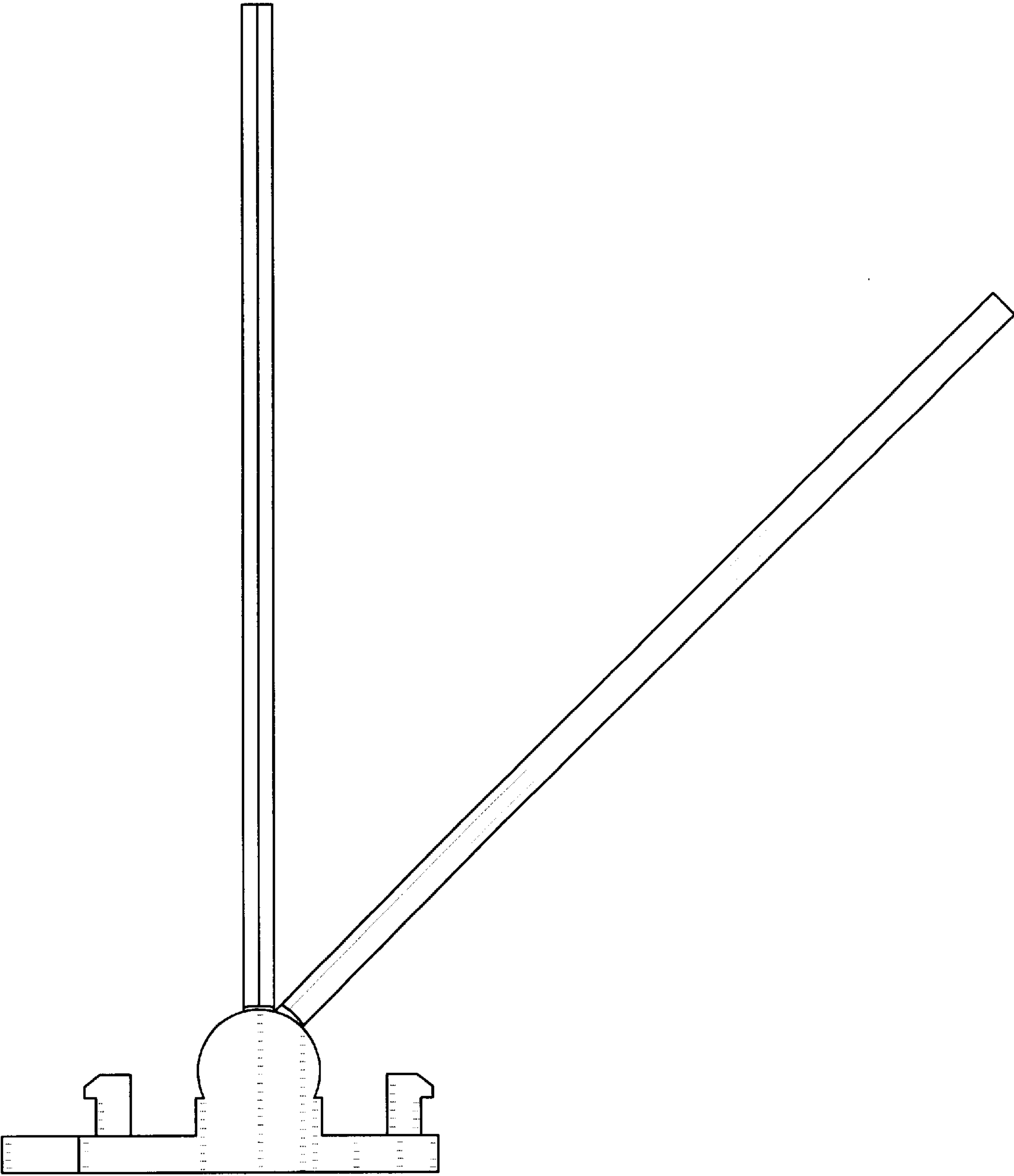


FIG. 7