

US00D493879S1

(12) **United States Design Patent** (10) **Patent No.:** **US D493,879 S**  
**Young** (45) **Date of Patent:** **\*\* Aug. 3, 2004**

- (54) **CEILING FAN BLADE IRON ASSEMBLY**  
(75) Inventor: **Stanfield Young**, Cypress, CA (US)  
(73) Assignee: **Minka Lighting, Inc.**, Corona, CA (US)  
(\*\*) Term: **14 Years**  
(21) Appl. No.: **29/180,947**  
(22) Filed: **May 2, 2003**  
(51) **LOC (7) Cl.** ..... **23-04**  
(52) **U.S. Cl.** ..... **D23/377**  
(58) **Field of Search** ..... D23/411, 377,  
D23/379, 385; 416/5, 210 R

(56) **References Cited**

**U.S. PATENT DOCUMENTS**

D328,951 S	*	8/1992	Scofield et al.	.....	D23/411
D369,405 S	*	4/1996	Holbrook	.....	D23/411
D446,296 S		8/2001	Gajewski	.....	D23/377
D448,840 S		10/2001	Gajewski	.....	D23/377
D449,372 S		10/2001	Gajewski	.....	D23/377
D449,682 S		10/2001	Gajewski	.....	D23/377
D449,683 S		10/2001	Gajewski	.....	D23/377
D450,832 S		11/2001	Gajewski	.....	D23/377
D466,206 S		11/2002	Gajewski	.....	D23/377
D475,782 S		6/2003	Hidalgo	.....	D23/411
D476,406 S		6/2003	Friedes	.....	D23/377
D476,408 S	*	6/2003	Hidalgo	.....	D23/411
D477,397 S	*	7/2003	Chen	.....	D23/411
D478,654 S		8/2003	Hidalgo	.....	D23/413
D478,980 S		8/2003	Hidalgo	.....	D23/411
D482,117 S		11/2003	Friedes	.....	D23/377

**OTHER PUBLICATIONS**

U.S. patent application Ser. No. 29/180,98, filed May 2, 2003, Young.  
U.S. patent application Ser. No. 29/180,946, filed May 2, 2003, Young.

U.S. patent application Ser. No. 29.180,949, filed May 2, 2003, Young.  
Minka Aire Two Thousand Two; pp. 15, 16, 17, 40, 41, Apr. 22, 2002, Minka Lighting, Inc, USA.  
Minka Aire Two Thousand Three; pp. 16, 17, 18, 19, 42, 43, Jan. 2003, Minka Lighting, Inc. USA.  
Quorum Ceiling Fan Internet Catalog; Electra, Model # 17523-14; www.ceilingfan.com, Ju. 2, 2003, Quorum Ceiling Fan Co.  
Quorum Ceiling Fan Internet Catalog; Prizzm, Model # 420525-12; www.ceilingfan.com, Jul. 2, 1003, Quorum Ceiling Fan Co.

\* cited by examiner

*Primary Examiner*—Lisa Lichtenstein  
(74) *Attorney, Agent, or Firm*—Jenkins & Gilchrist, P.C.

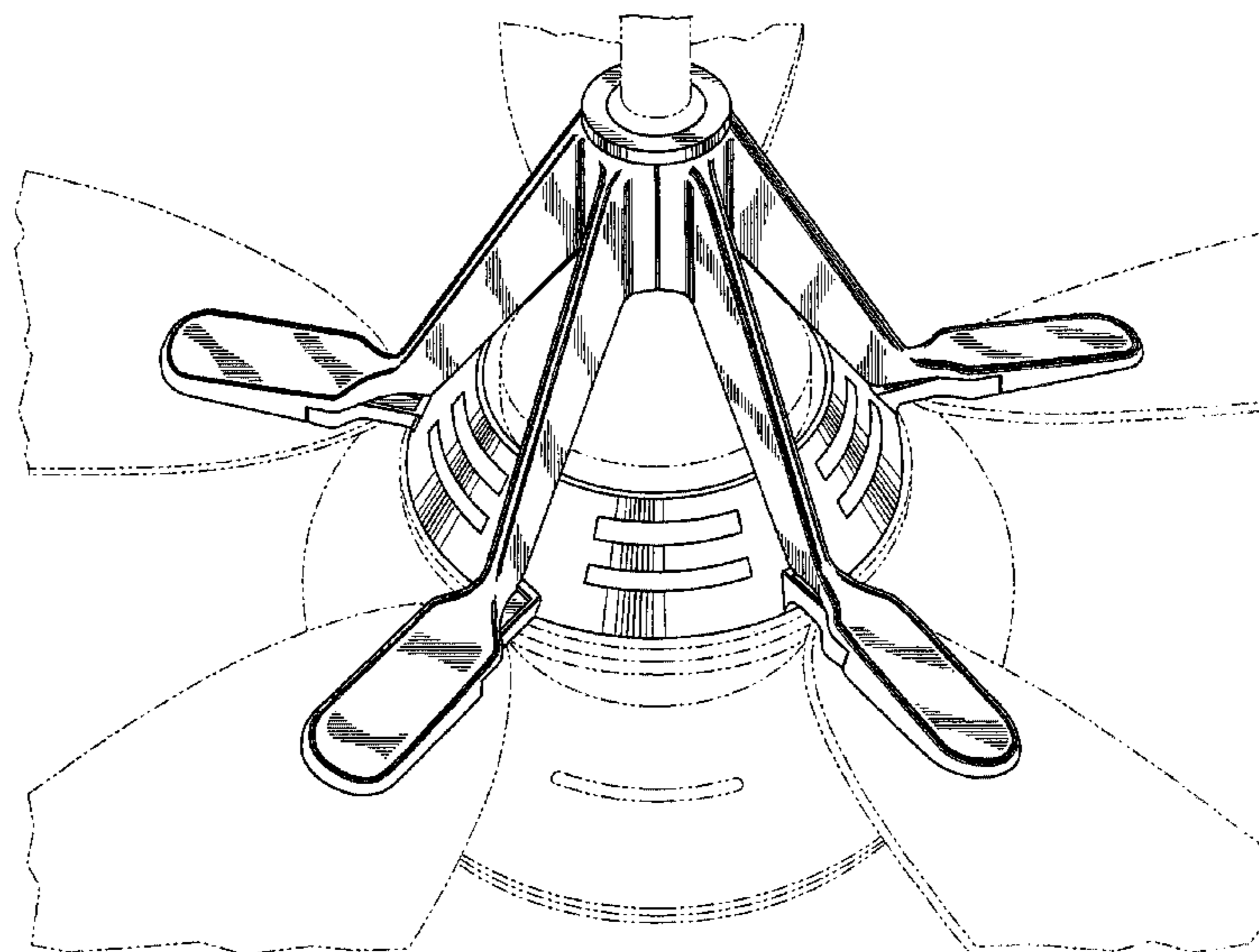
(57) **CLAIM**

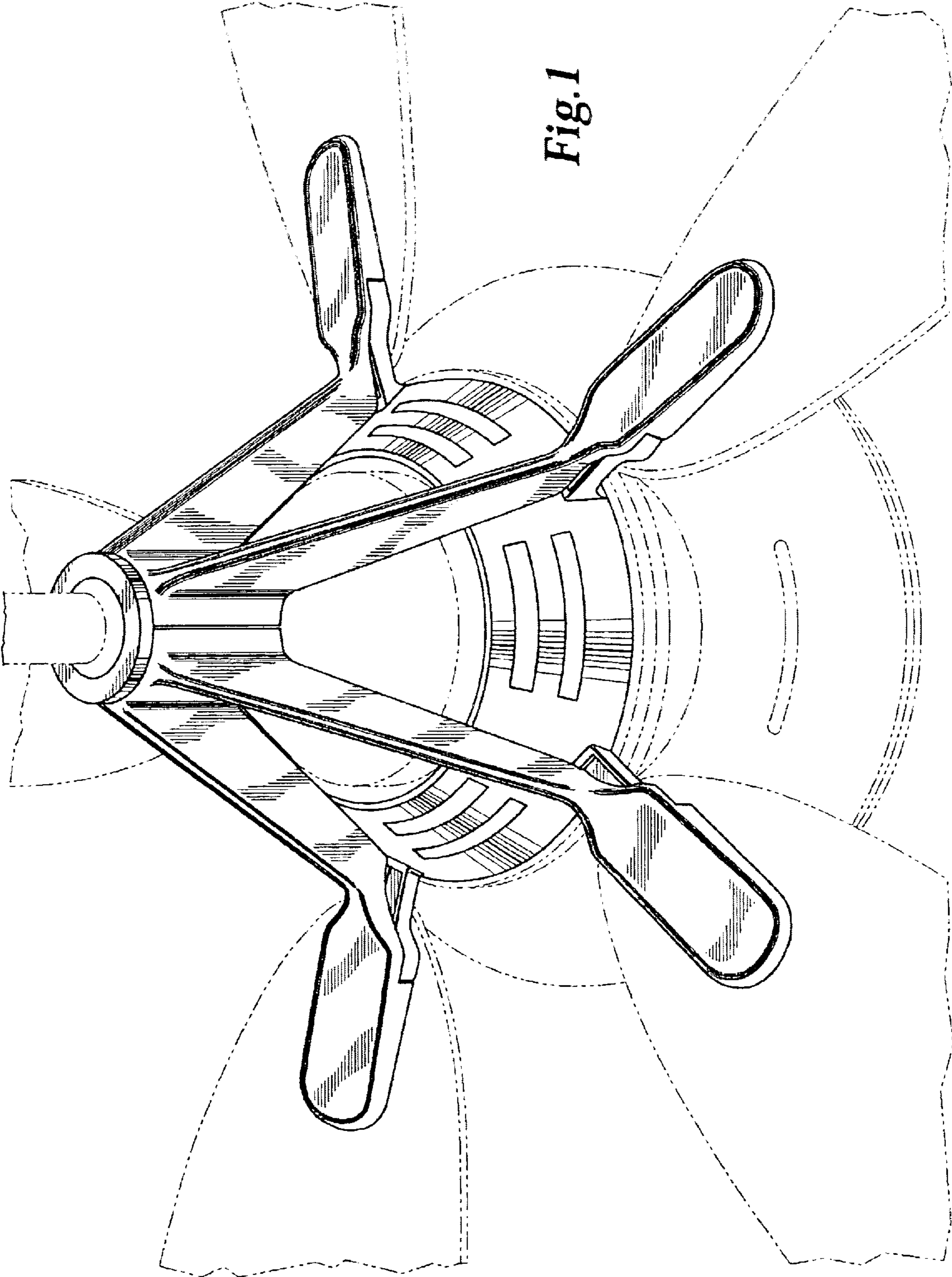
The ornamental design for the ceiling fan blade iron assembly, as shown and described.

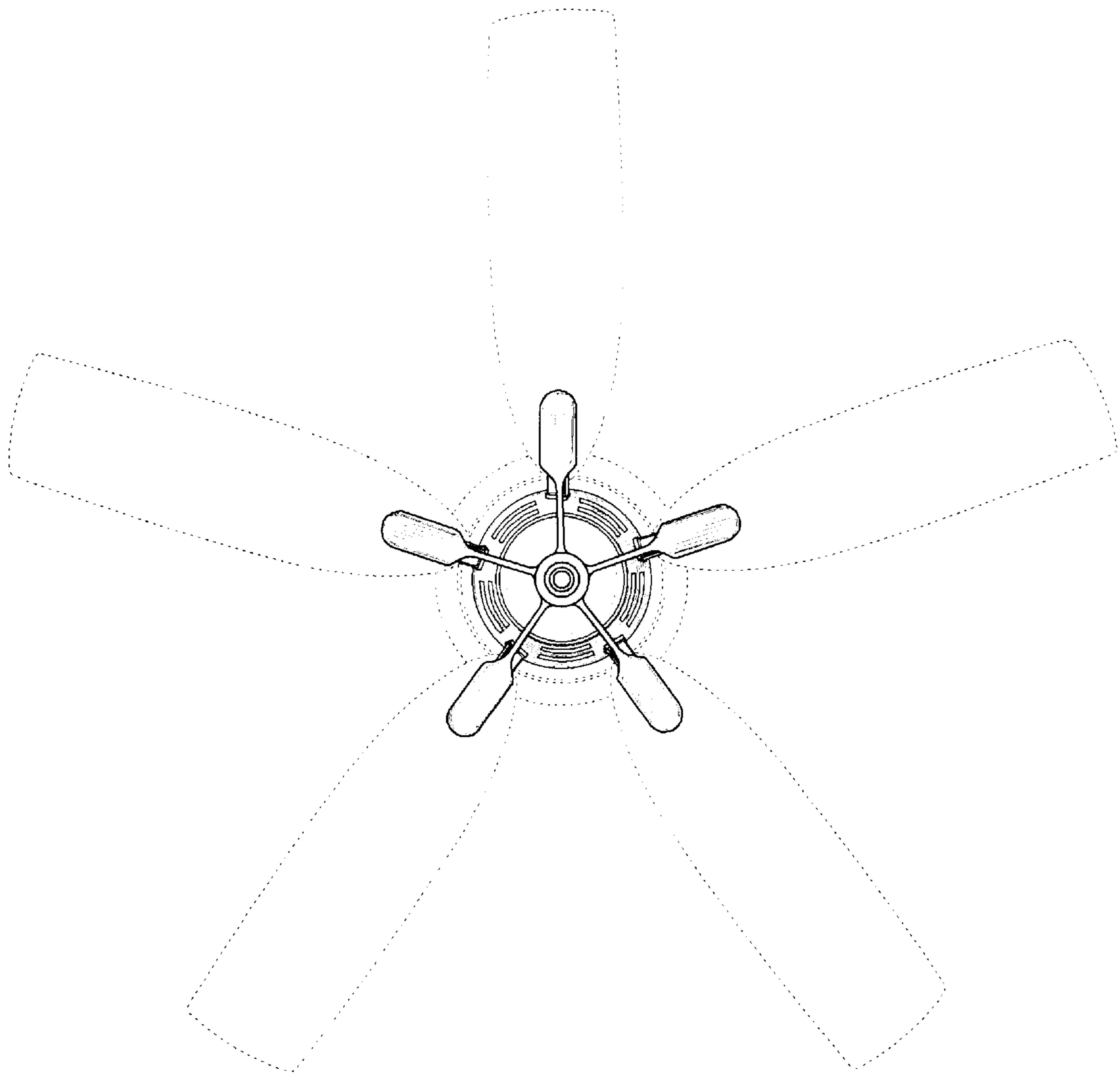
**DESCRIPTION**

FIG. 1 is a perspective view from above of the ceiling fan blade iron assembly in accordance with my design;  
FIG. 2 is a greatly reduced top plan view thereof;  
FIG. 3 is a greatly reduced bottom plan view thereof;  
FIG. 4 is a reduced side elevation view thereof; and,  
FIG. 5 is a reduced front elevation view thereof.  
The right side and left side elevation views are identical except for the position of the individual blade irons.  
The front and rear elevation views are identical except for the position of the individual blade irons.  
The broken lines in FIGS. 1-5 showing environmental structure are for illustrative purposes and form no part of the claimed design.

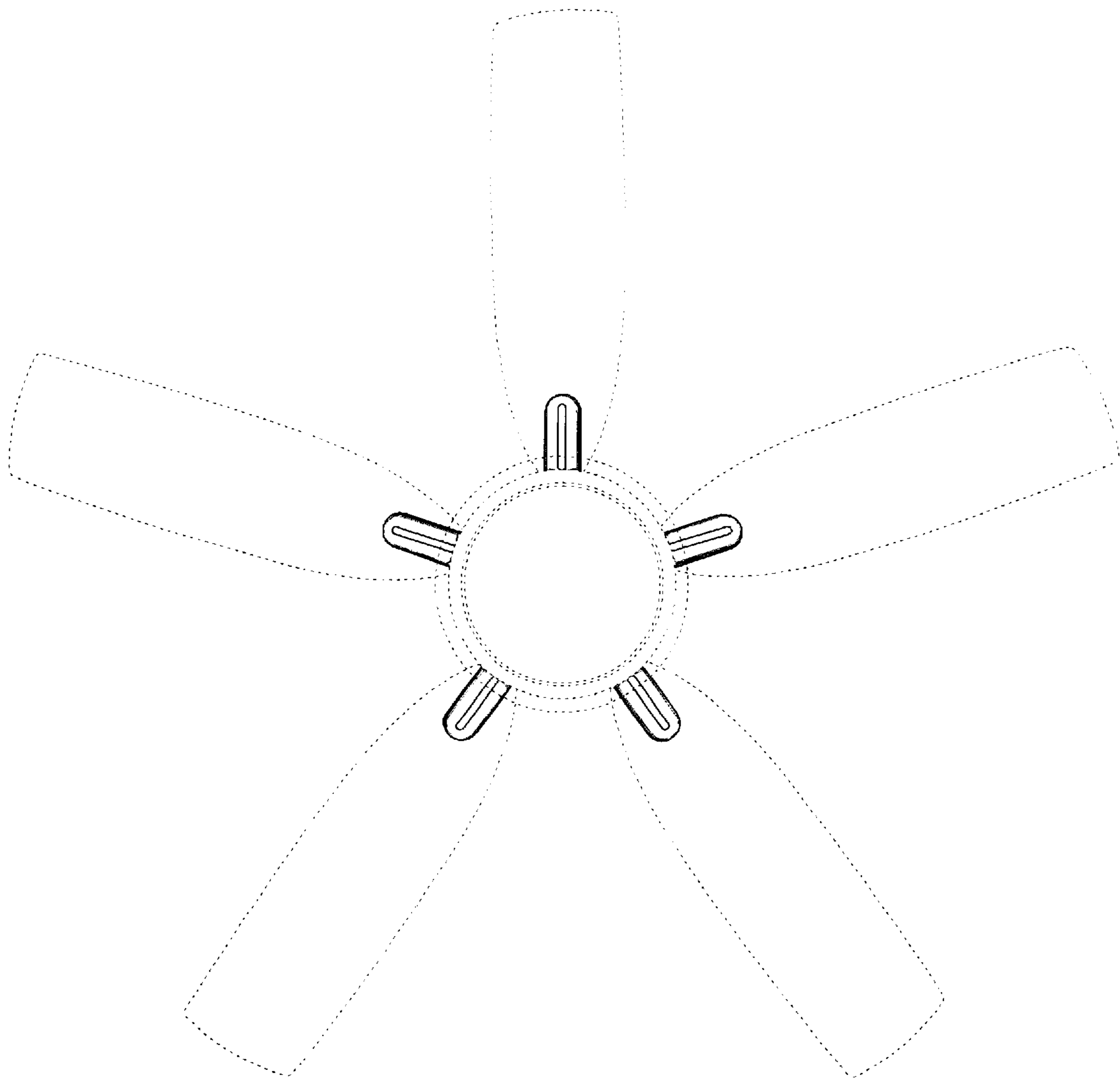
**1 Claim, 4 Drawing Sheets**







*Fig.2*



**Fig.3**

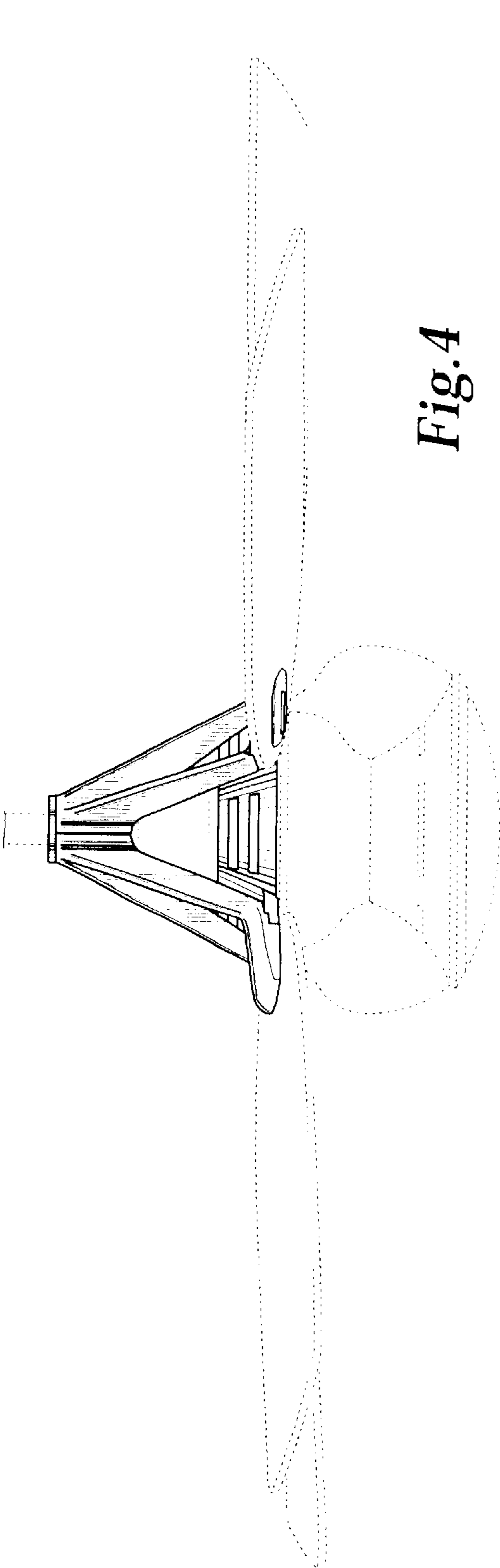


Fig. 4

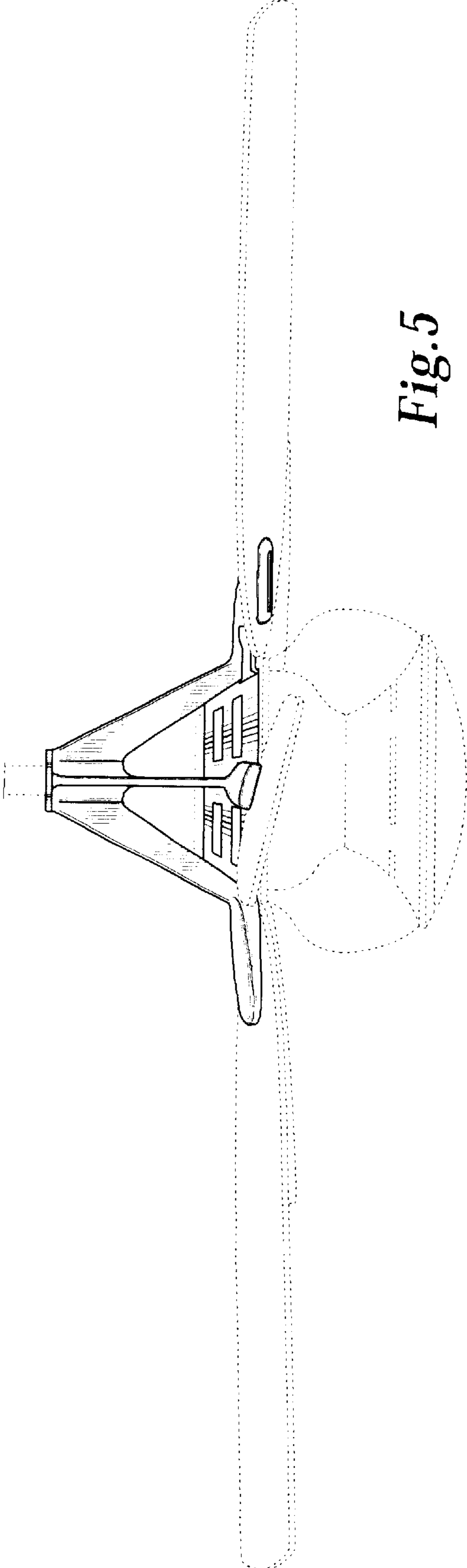


Fig. 5

UNITED STATES PATENT AND TRADEMARK OFFICE  
**CERTIFICATE OF CORRECTION**

PATENT NO. : Des. 493,879 S  
DATED : August 3, 2004  
INVENTOR(S) : Stanfield Young

Page 1 of 1

It is certified that error appears in the above-identified patent and that said Letters Patent is hereby corrected as shown below:

Title page,

Item [56], **References Cited**, OTHER PUBLICATIONS, please delete "29/180,98" and replace with -- 29/180,948 --.; please delete "Jul. 2, 1003" between "www.ceilingfan.com" and "Quorom Ceiling Fan Co." and replace with -- Jul. 2, 2003 --.

Signed and Sealed this

Twenty-eighth Day of September, 2004

A handwritten signature in black ink on a dotted background. The signature reads "Jon W. Dudas" in a cursive style.

JON W. DUDAS

*Director of the United States Patent and Trademark Office*