

US00D493875S1

(12) **United States Design Patent**
Groene et al.

(10) **Patent No.:** **US D493,875 S**
(45) **Date of Patent:** **** Aug. 3, 2004**

(54) **COMBINED VAPOR DISPENSER BASE AND REFILL ASSEMBLY**

(75) Inventors: **Ralf Groene**, Boulder, CO (US);
Michael Strasser, Boulder, CO (US);
David Rinaldis, Longmont, CO (US)

(73) Assignee: **The Dial Corporation**, Scottsdale, AZ (US)

(**) Term: **14 Years**

(21) Appl. No.: **29/165,783**

(22) Filed: **Aug. 16, 2002**

(51) **LOC (7) Cl.** **23-04**

(52) **U.S. Cl.** **D23/366**

(58) **Field of Search** D23/366-369;
239/53-59; 422/5, 120

(56) **References Cited**

U.S. PATENT DOCUMENTS

- 5,050,798 A * 9/1991 Sullivan 239/58
- 5,234,162 A * 8/1993 Sullivan 239/56
- 5,647,052 A * 7/1997 Patel et al. 392/390

* cited by examiner

Primary Examiner—Lisa Lichtenstein

(74) *Attorney, Agent, or Firm*—Snell & Wilmer LLP

(57) **CLAIM**

The ornamental design for a combined vapor dispenser base and refill assembly, as shown and described.

DESCRIPTION

FIG. 1 is a front perspective view of a combined vapor dispenser base and refill assembly showing our new design; FIG. 2 is a rear perspective view thereof;

FIG. 3 is a front view thereof;

FIG. 4 is a right side view thereof;

FIG. 5 is a left side view thereof;

FIG. 6 is a top view thereof;

FIG. 7 is a bottom view thereof;

FIG. 8 is a rear view thereof;

FIG. 9 is a front perspective view of an exploded combined vapor dispenser base and refill assembly showing our new design;

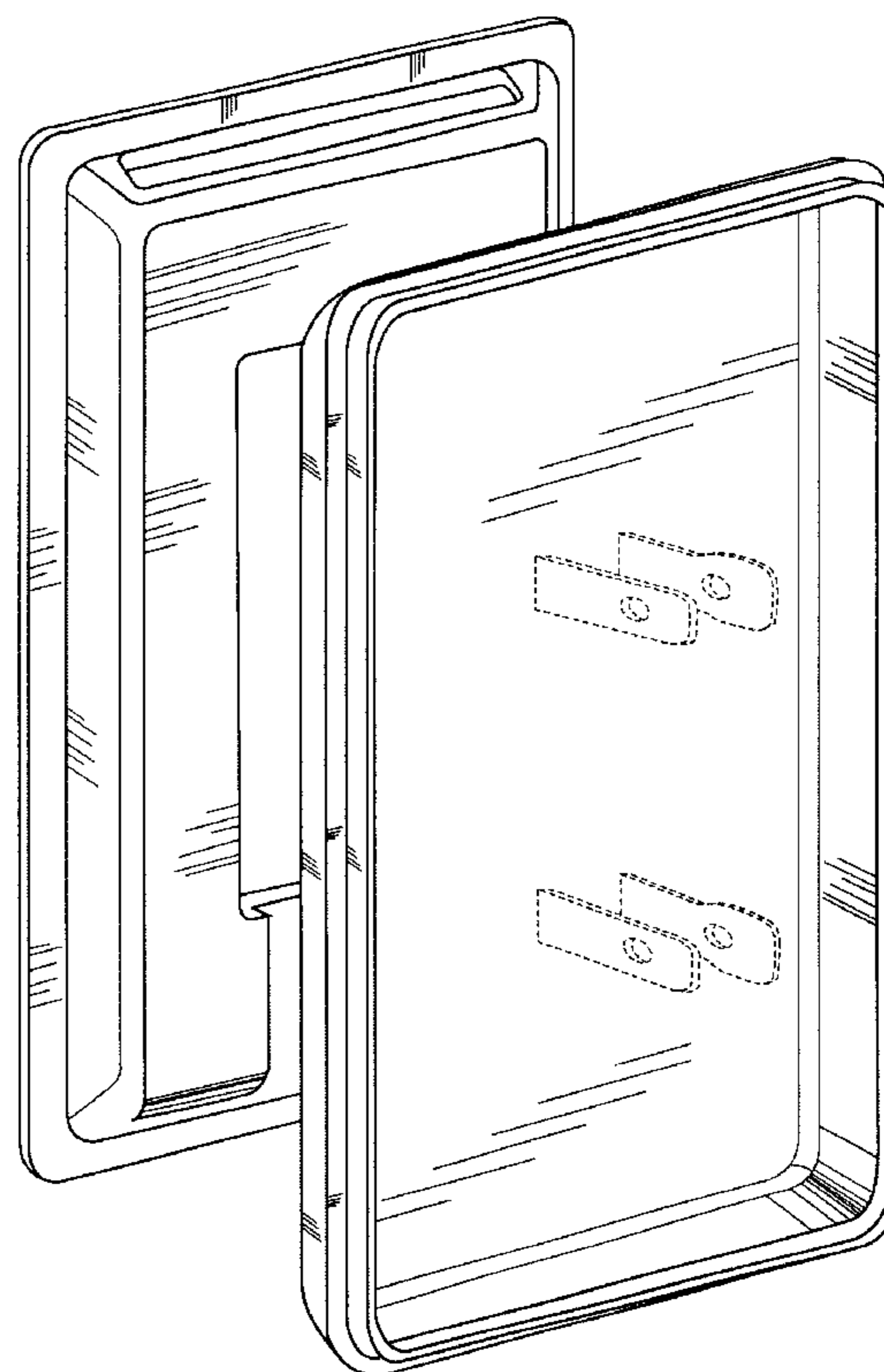
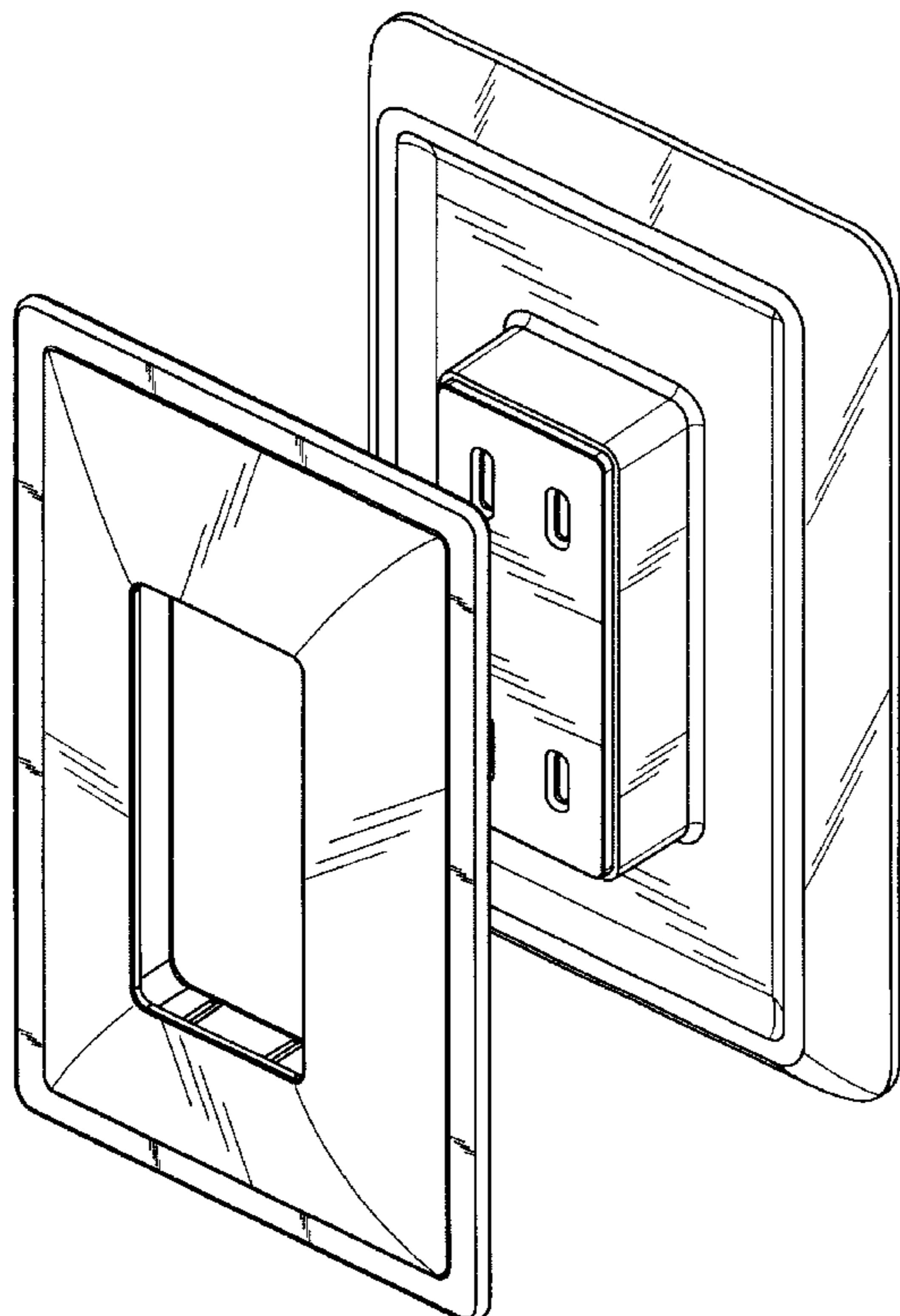
FIG. 10 is a rear perspective view of an exploded combined vapor dispenser base and refill assembly showing our new design;

FIG. 11 is a front perspective view of a combined vapor dispenser base and refill assembly showing the second embodiment of our new design; and,

FIG. 12 is a rear perspective view of FIG. 11.

The broken line showing of environmental structure in FIGS. 2, 4-7 and 12 is for illustrative purposes only and forms no part of the claimed design.

1 Claim, 7 Drawing Sheets



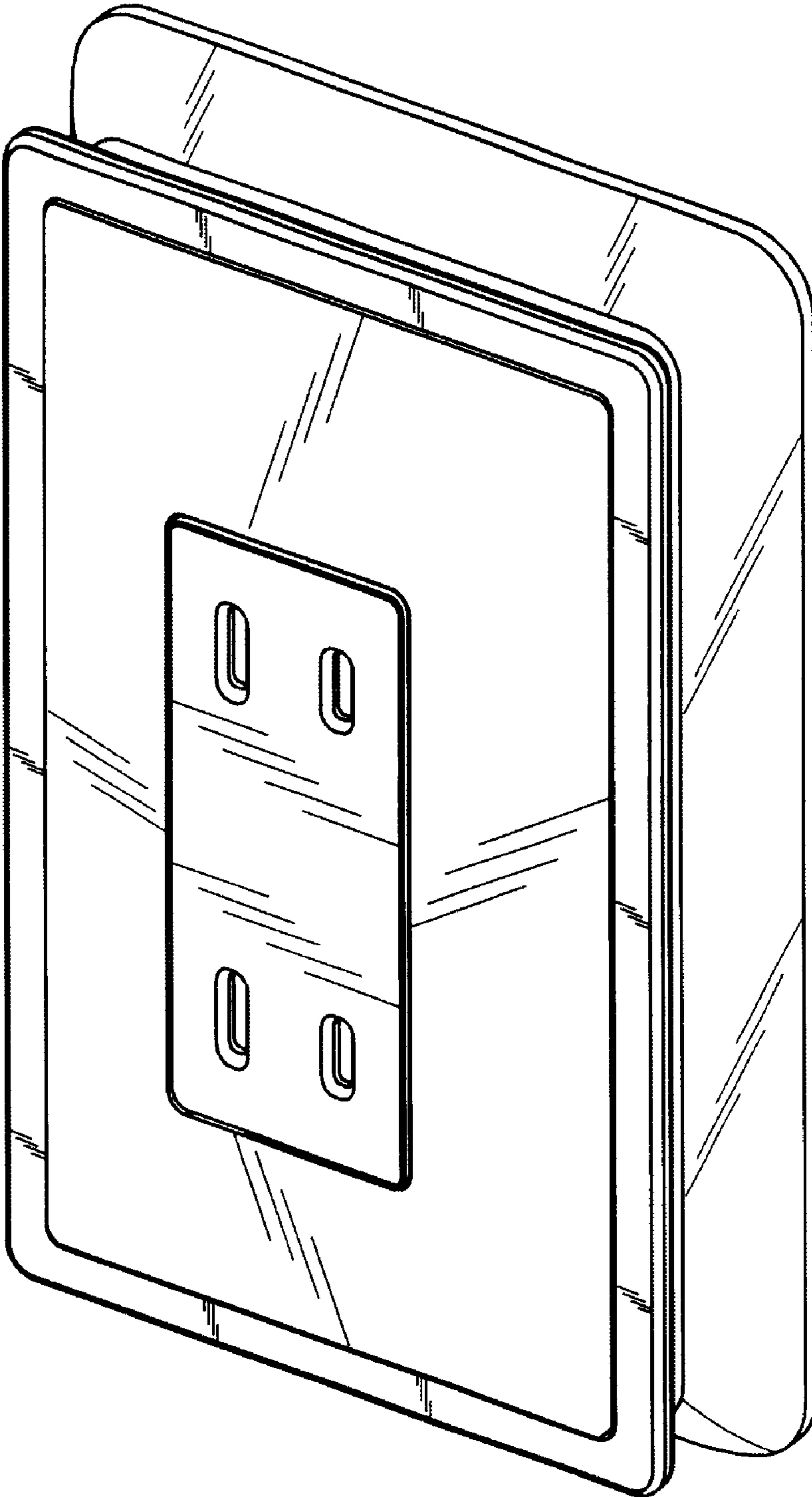


FIG. 1

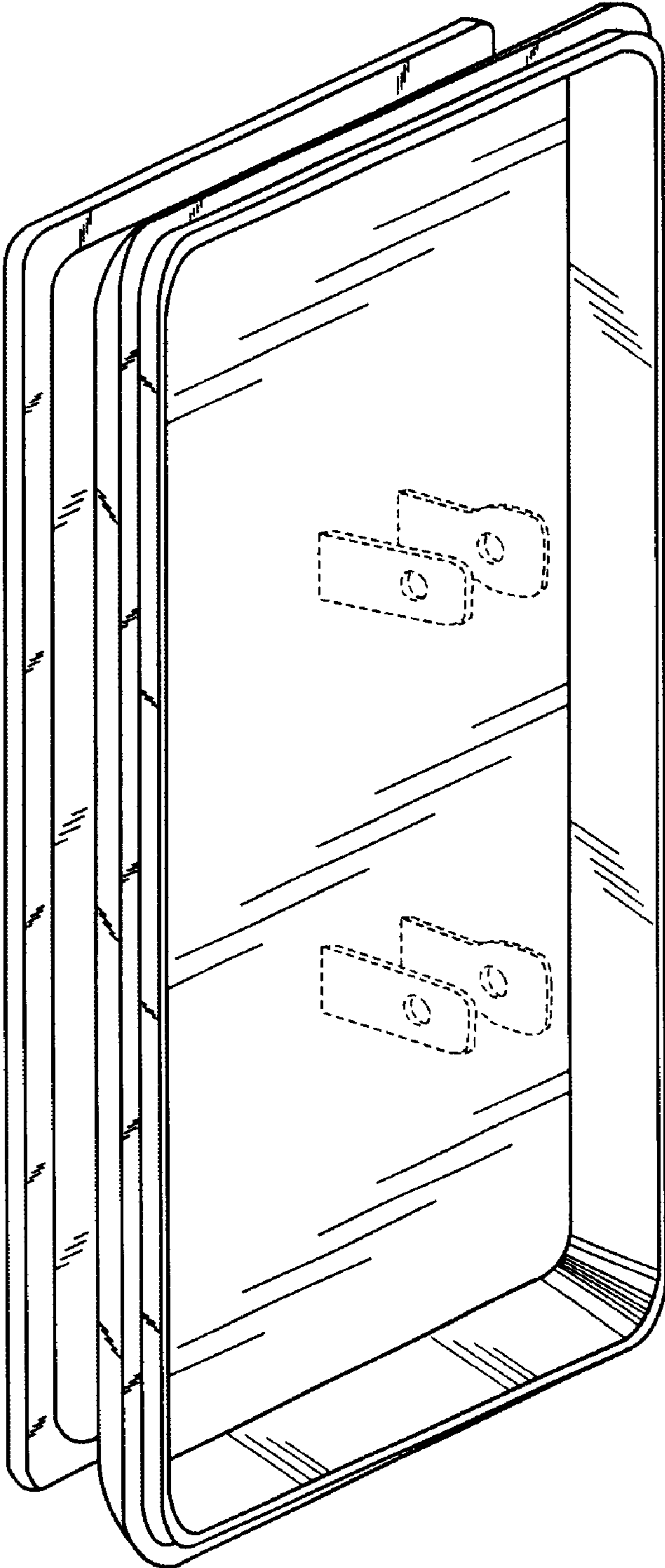


FIG. 2

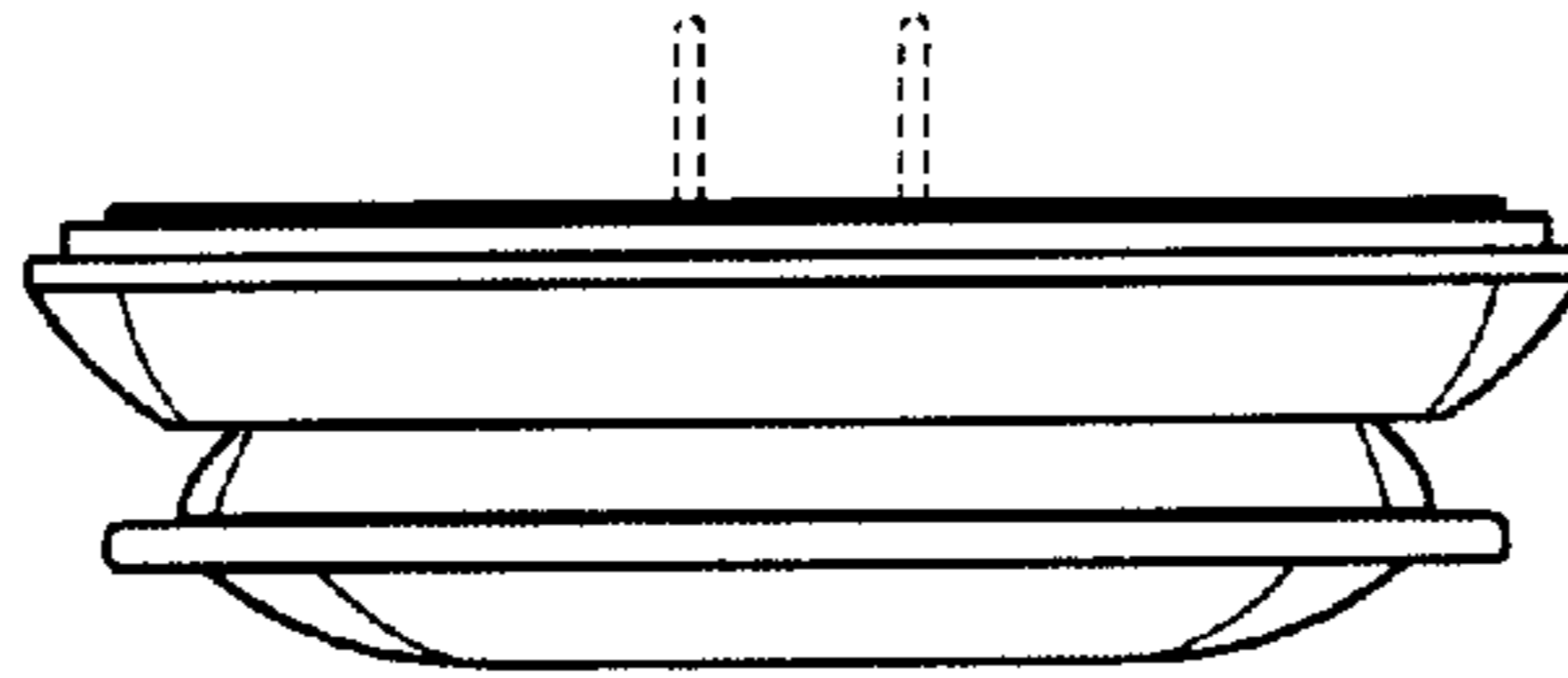


FIG. 6

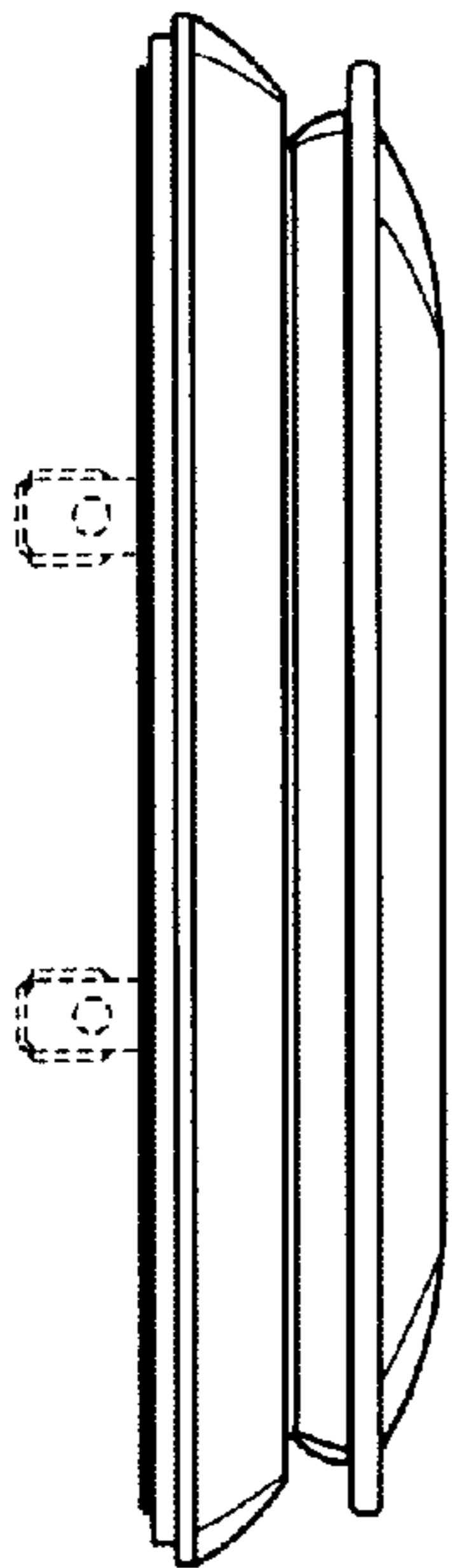


FIG. 5

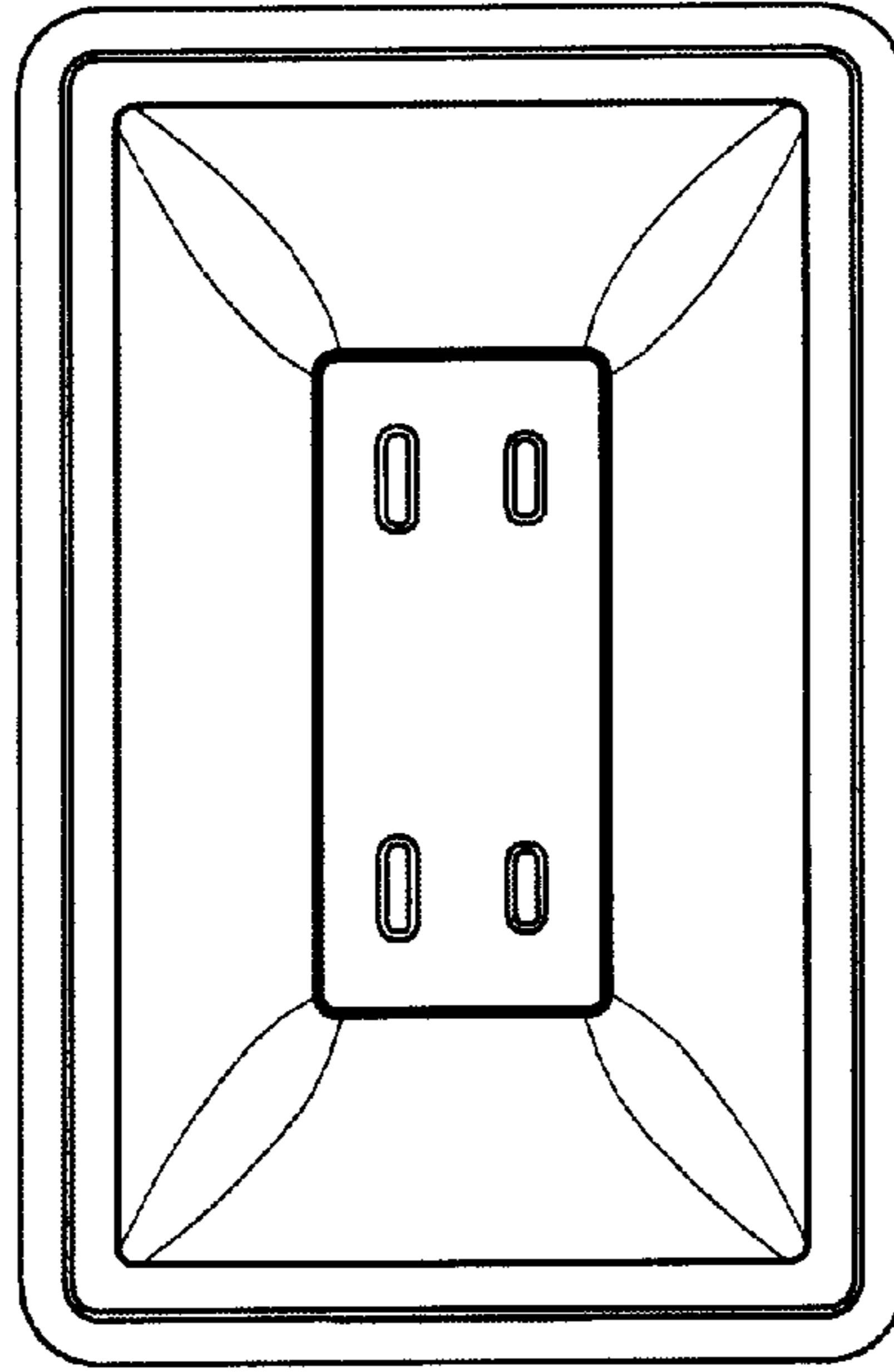


FIG. 3

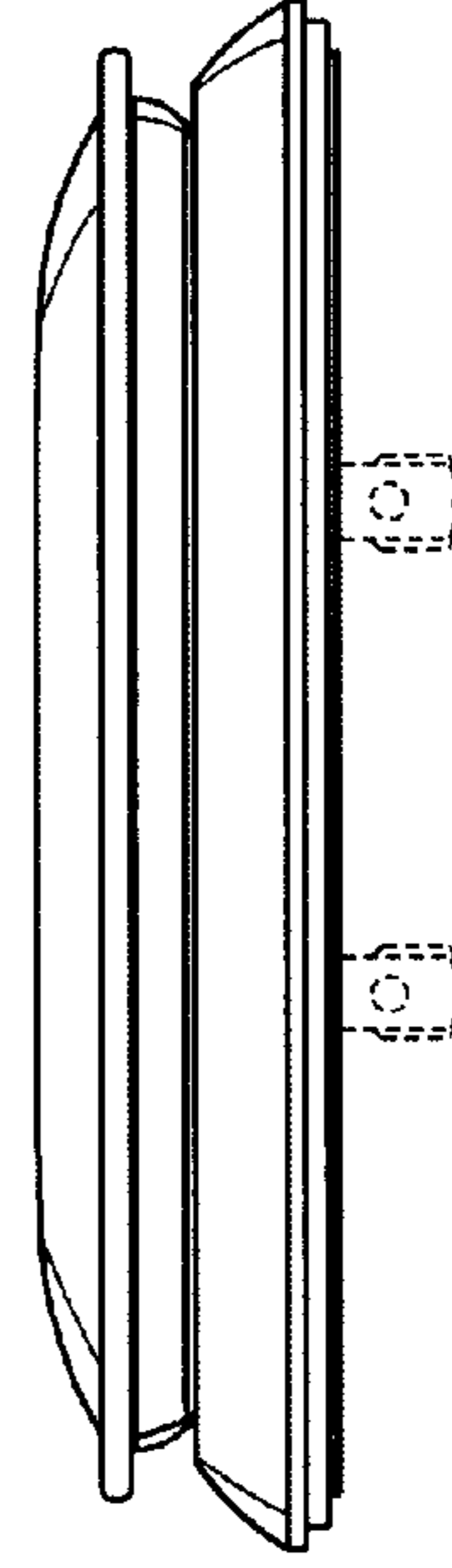


FIG. 4

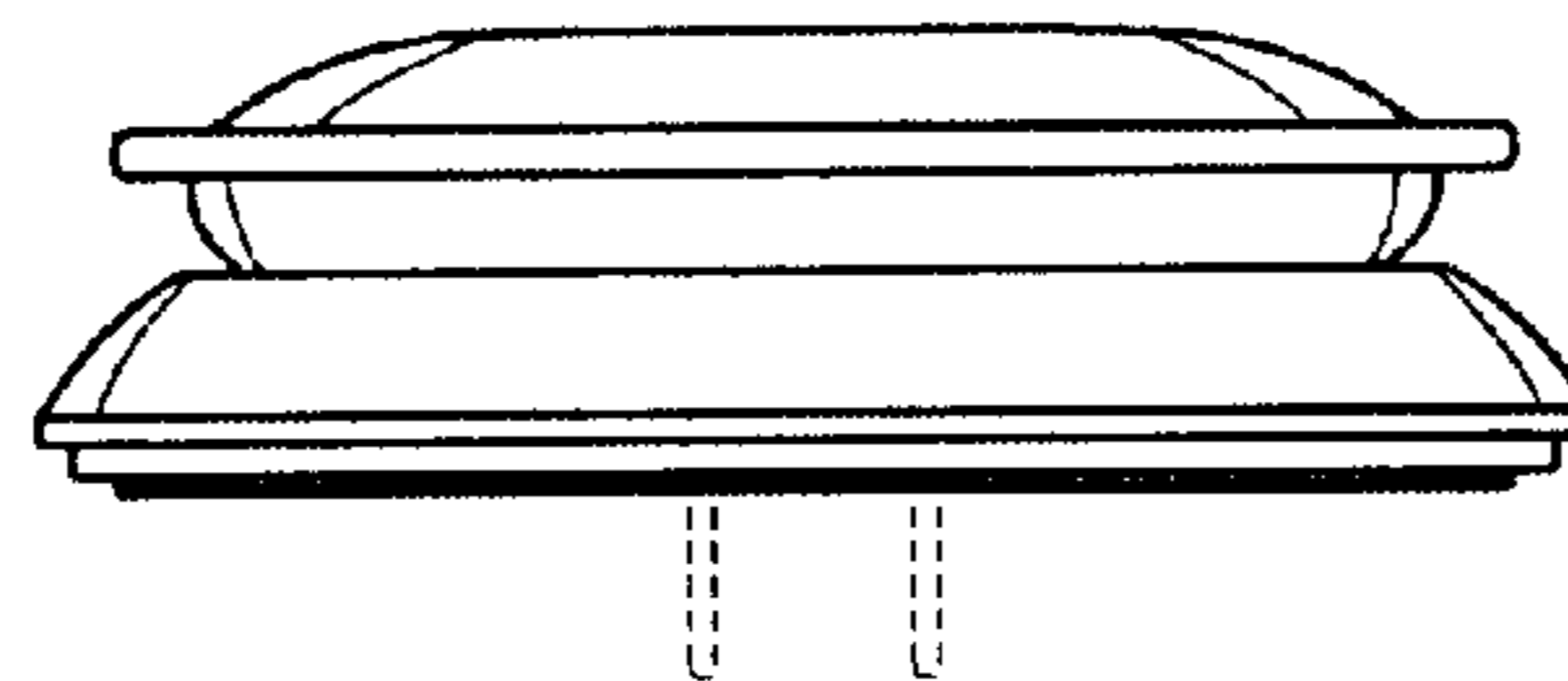


FIG. 7

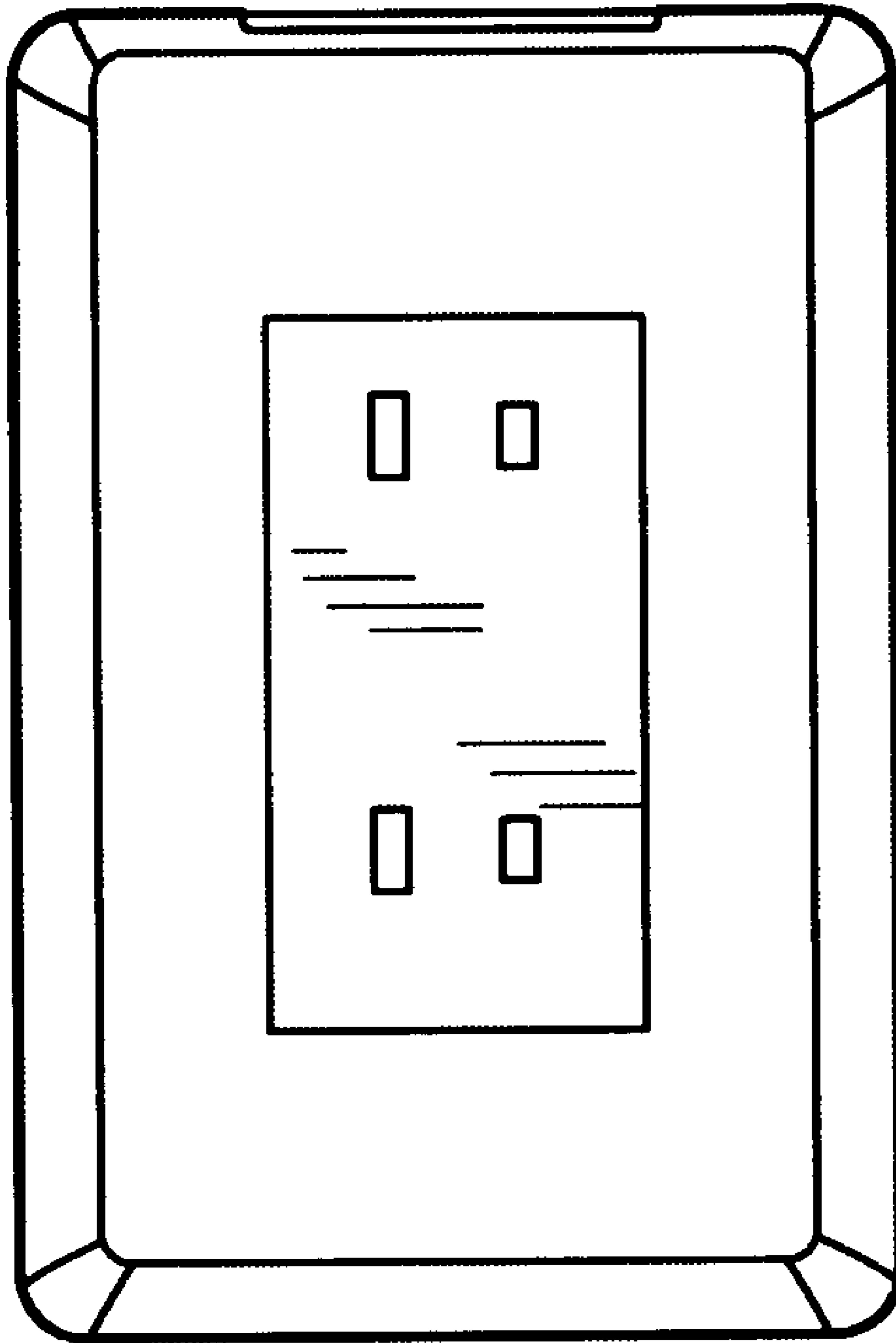


FIG. 8

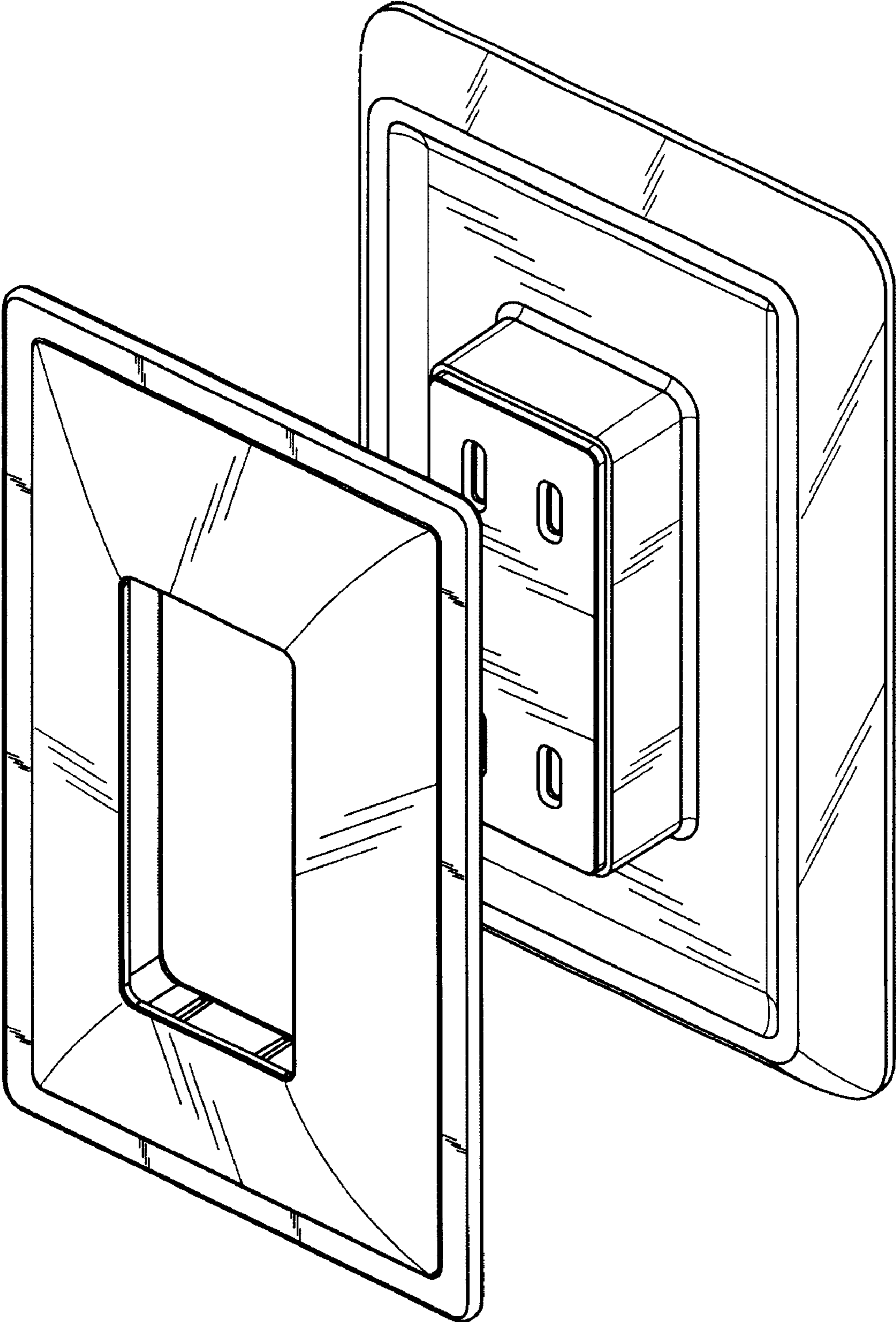


FIG. 9

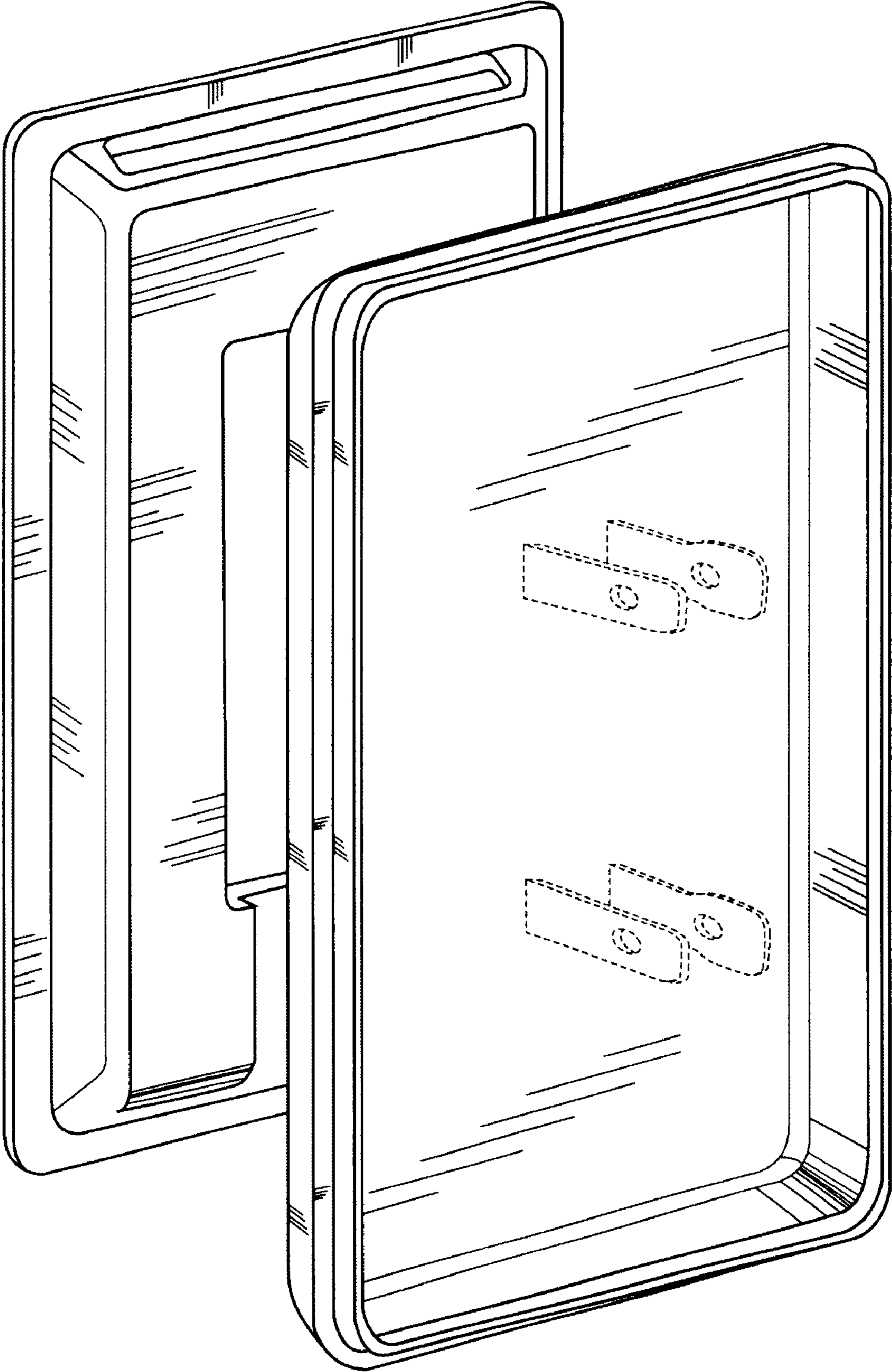


FIG. 10

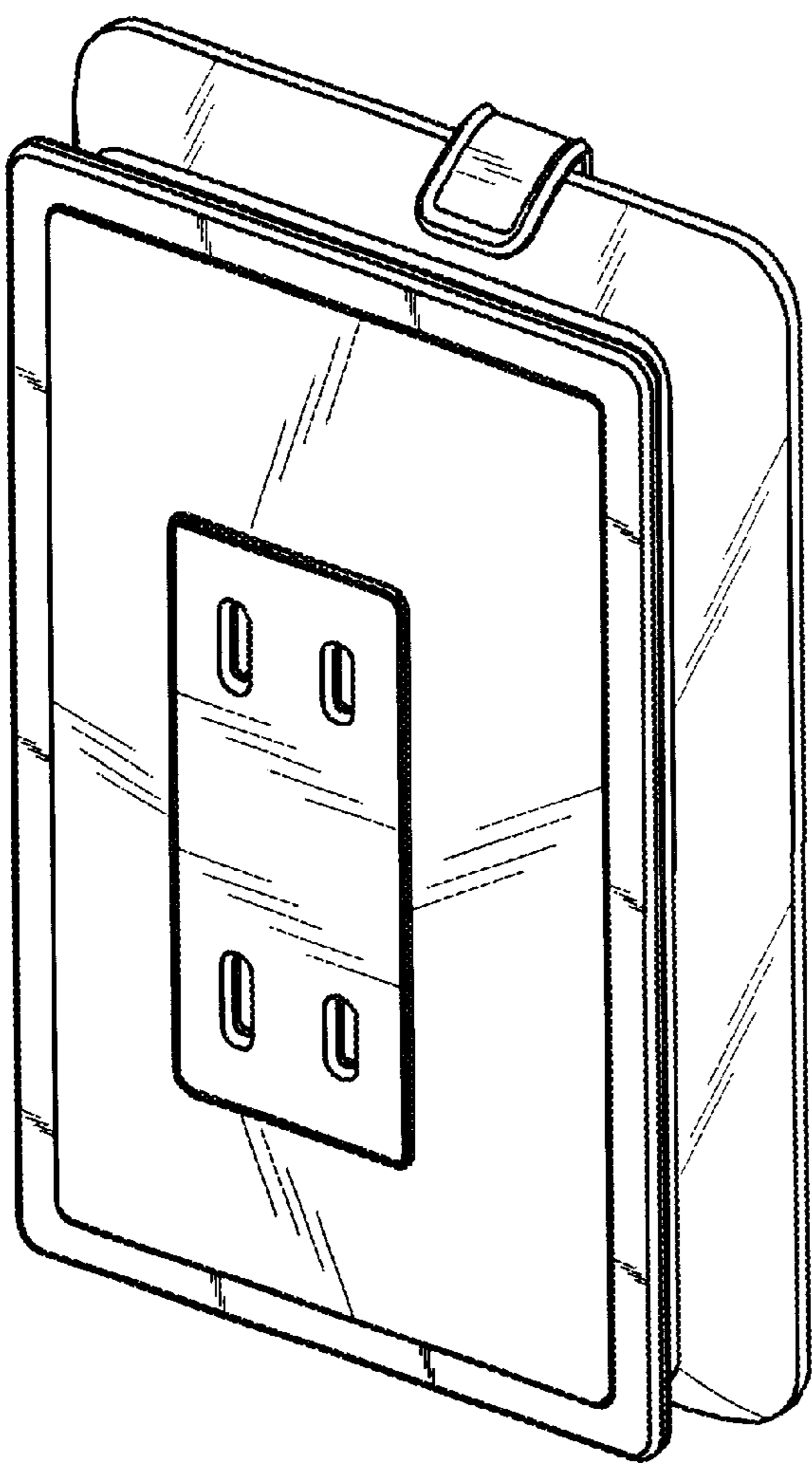


FIG. 11

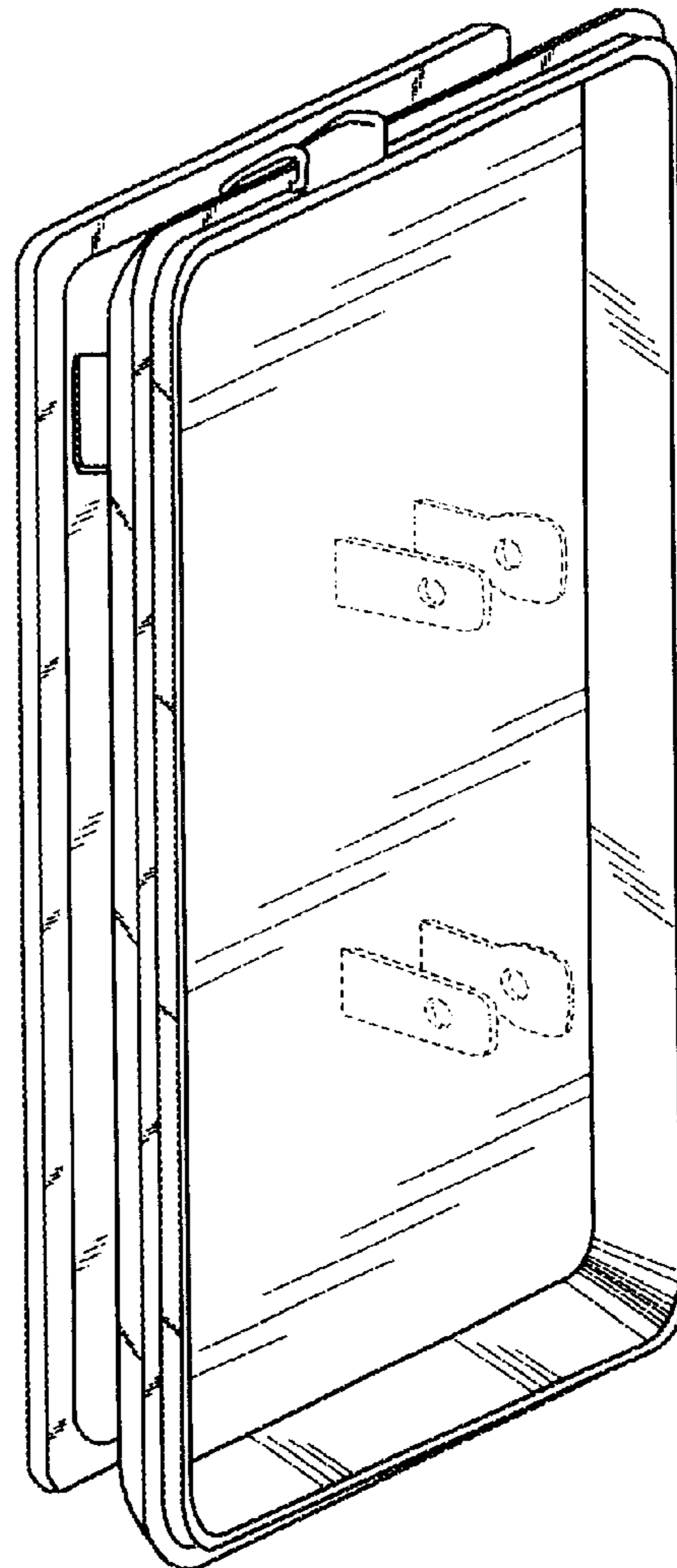


FIG. 12