

US00D493874S1

(12) **United States Design Patent**  
**Woods**

(10) **Patent No.:** **US D493,874 S**

(45) **Date of Patent:** **\*\* Aug. 3, 2004**

(54) **AIR FILTRATION SYSTEM**

(75) Inventor: **Jim Woods**, Mississauga (CA)

(73) Assignee: **Americair Corporation**, Mississauga (CA)

(\*\*) Term: **14 Years**

(21) Appl. No.: **29/183,858**

(22) Filed: **Jun. 18, 2003**

(51) **LOC (7) Cl.** ..... **23-04**

(52) **U.S. Cl.** ..... **D23/364; D23/365**

(58) **Field of Search** ..... **D23/209, 364, D23/365; 55/504, 473; 210/497.01, 499; 422/120**

(56) **References Cited**

**U.S. PATENT DOCUMENTS**

D383,202 S	*	9/1997	Meister et al.	.....	D23/364
D396,098 S	*	7/1998	Gillingham et al.	.....	D23/365
D452,302 S	*	12/2001	Hagen	.....	D23/365
D467,654 S	*	12/2002	Klug et al.	.....	D23/365
6,610,116 B1	*	8/2003	Avery	.....	55/385.1

\* cited by examiner

*Primary Examiner*—Robin V. Taylor

(74) *Attorney, Agent, or Firm*—Roach Brown McCarthy & Gruber, P.C.; Kevin D. McCarthy

(57) **CLAIM**

The ornamental design for an air filtration system, as shown and described.

**DESCRIPTION**

FIG. 1 illustrates a view of the air filtration system showing the front, a side and the top.

FIG. 2 illustrates a view of the air filtration system showing the front.

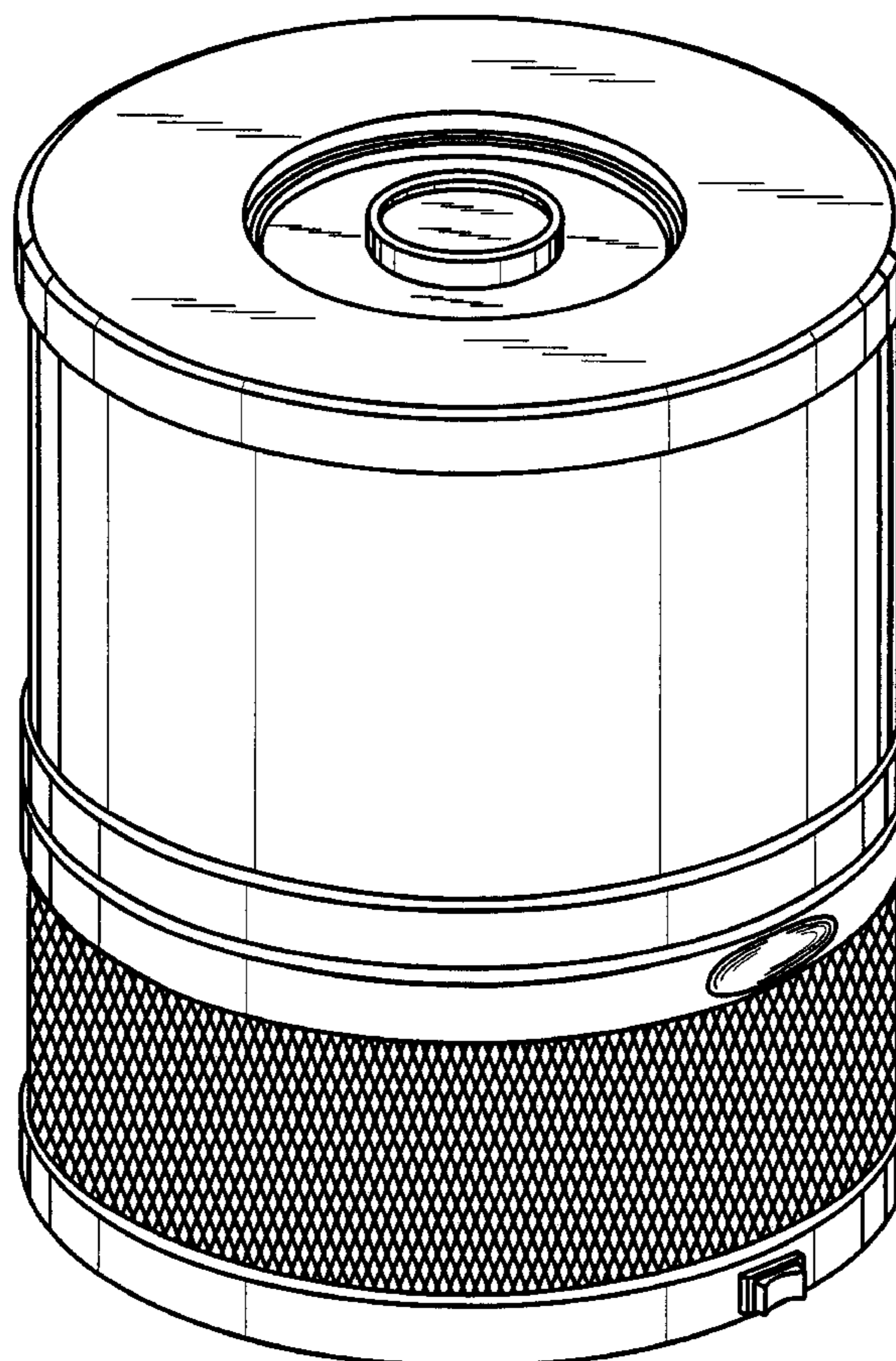
FIG. 3 illustrates a view of the air filtration system showing the back.

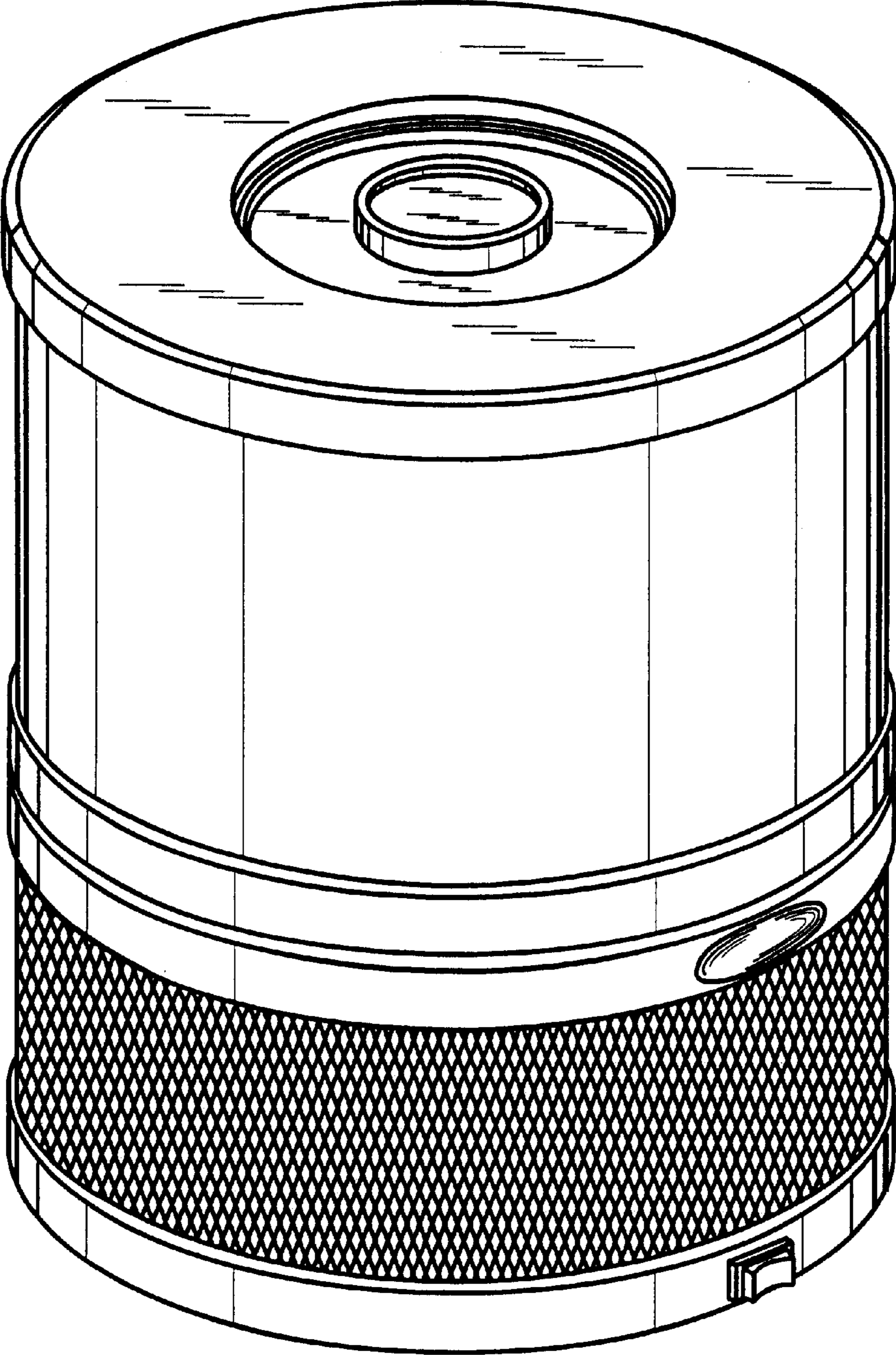
FIG. 4 illustrates a view of the air filtration system showing the side, and portion of the front and back.

FIG. 5 illustrates a view of the air filtration system showing the top; and,

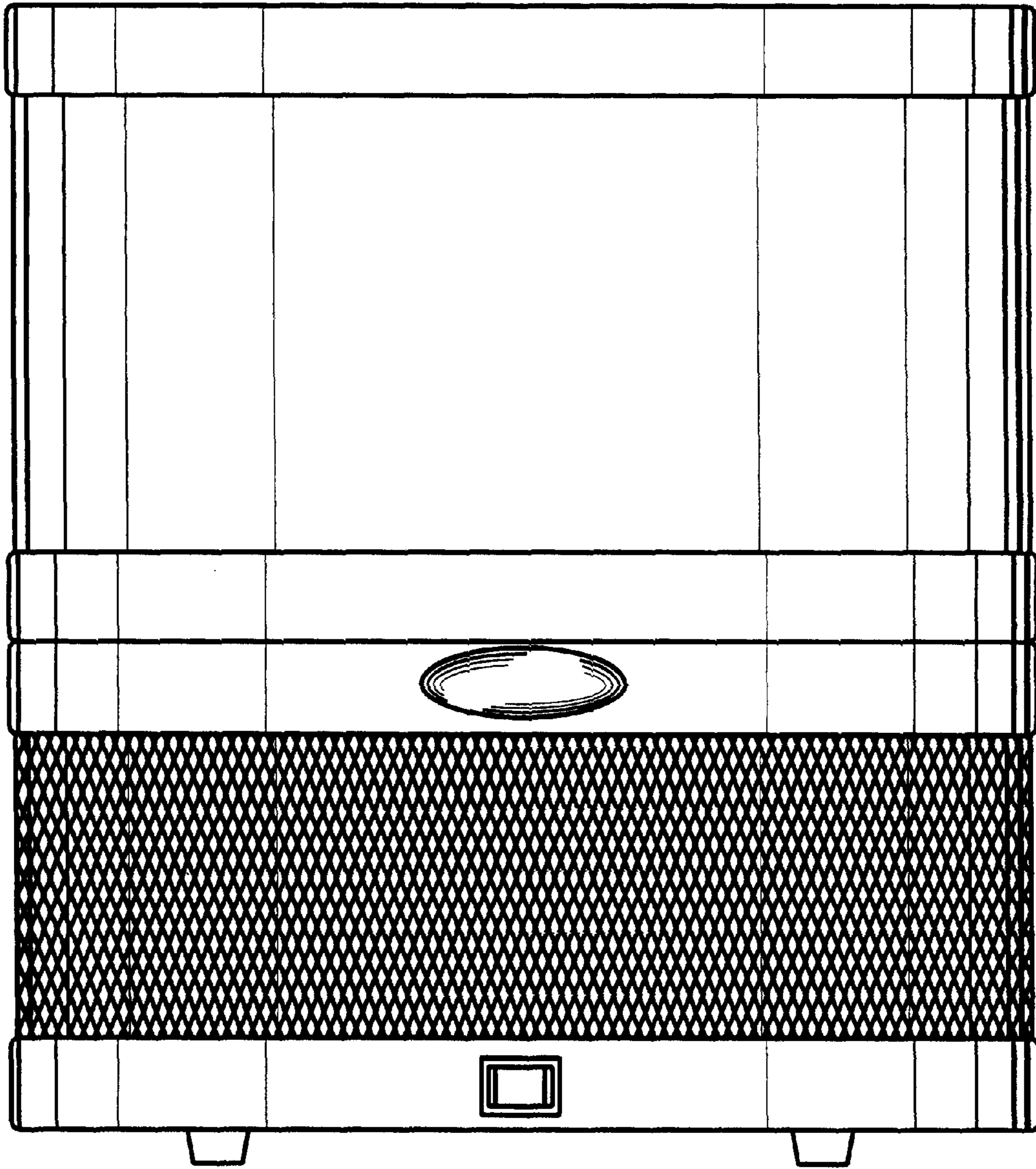
FIG. 6 illustrates a view of the air filtration system showing the underside.

**1 Claim, 6 Drawing Sheets**





—FIG. 1



—FIG. 2

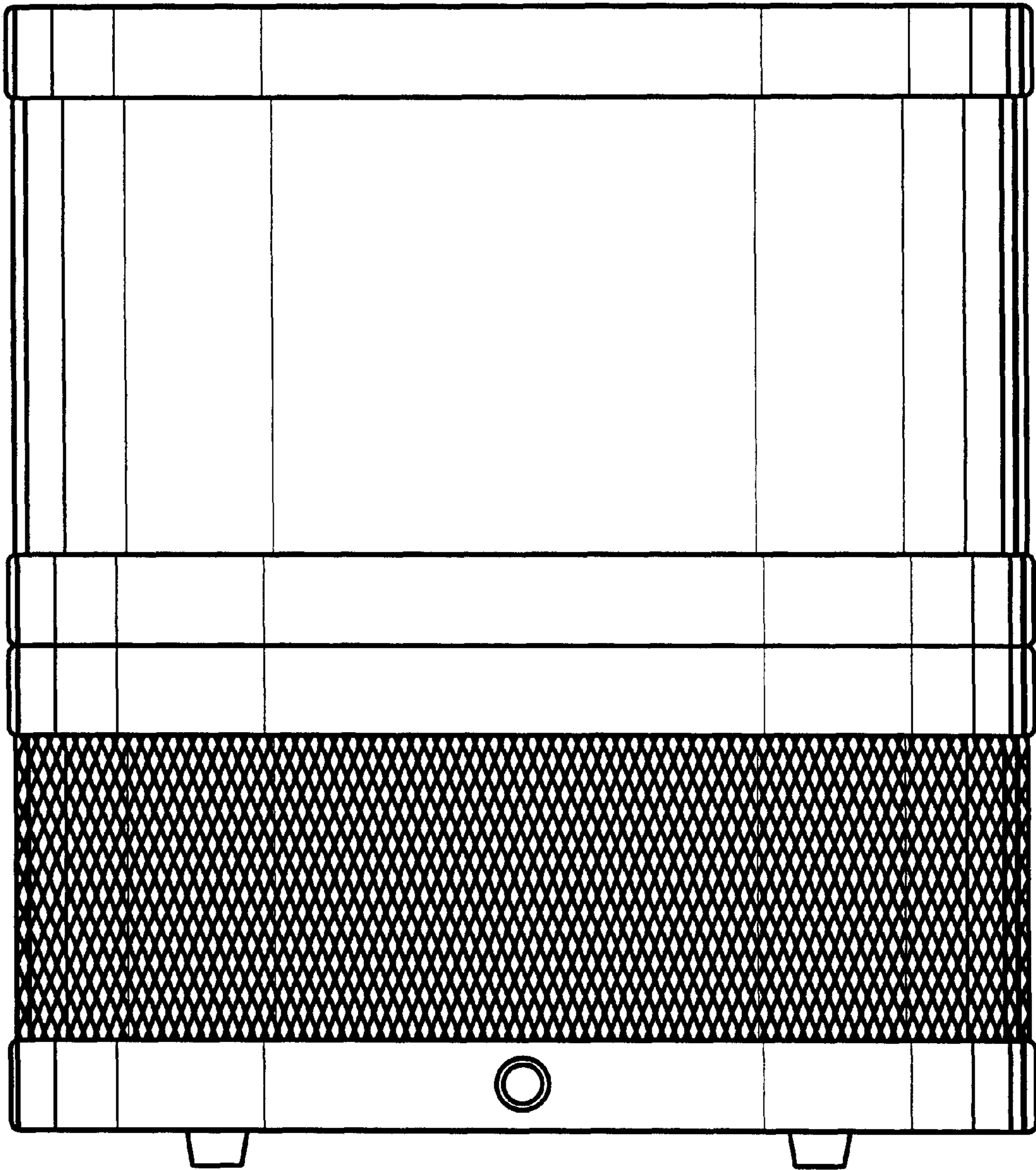
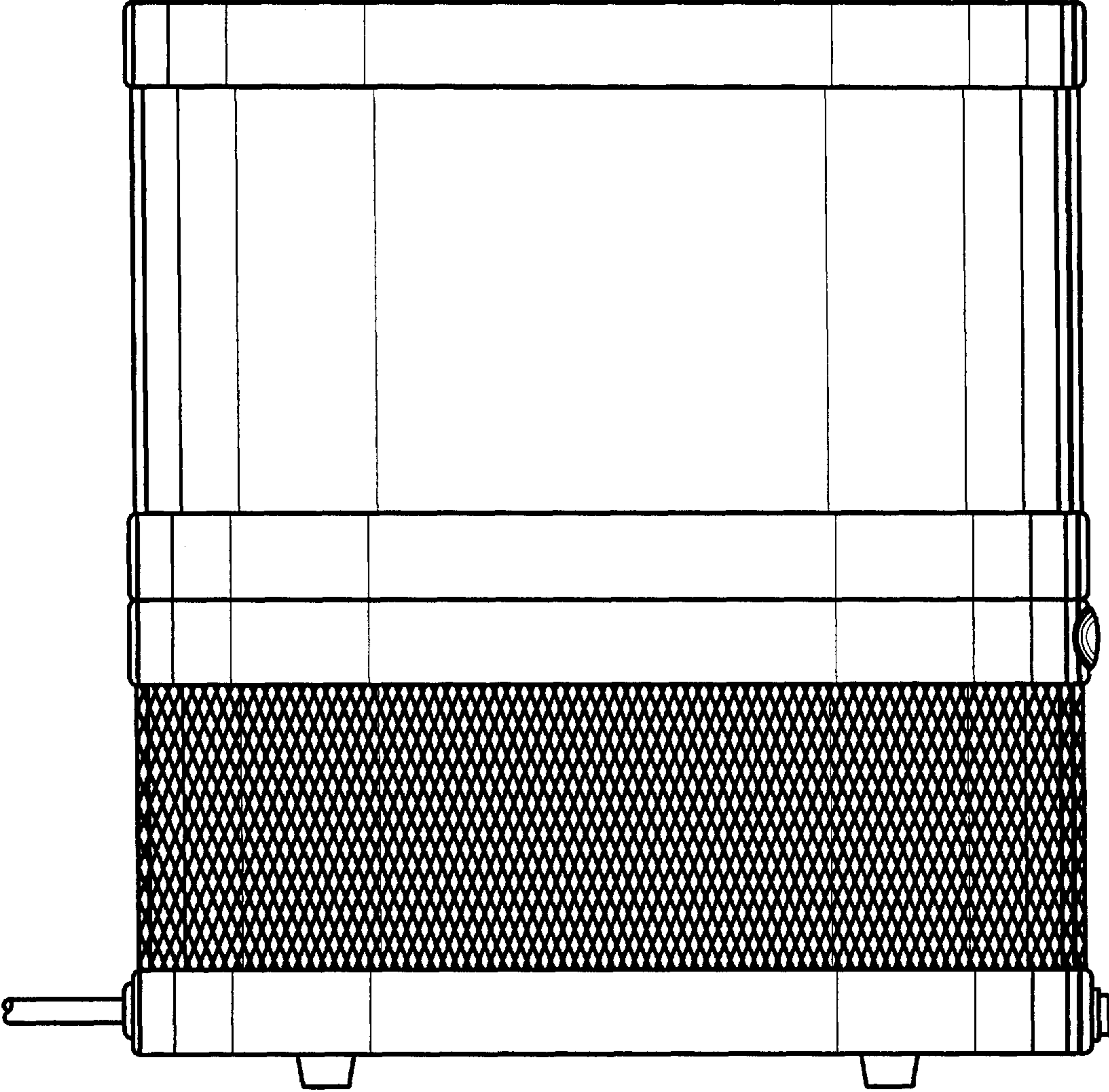
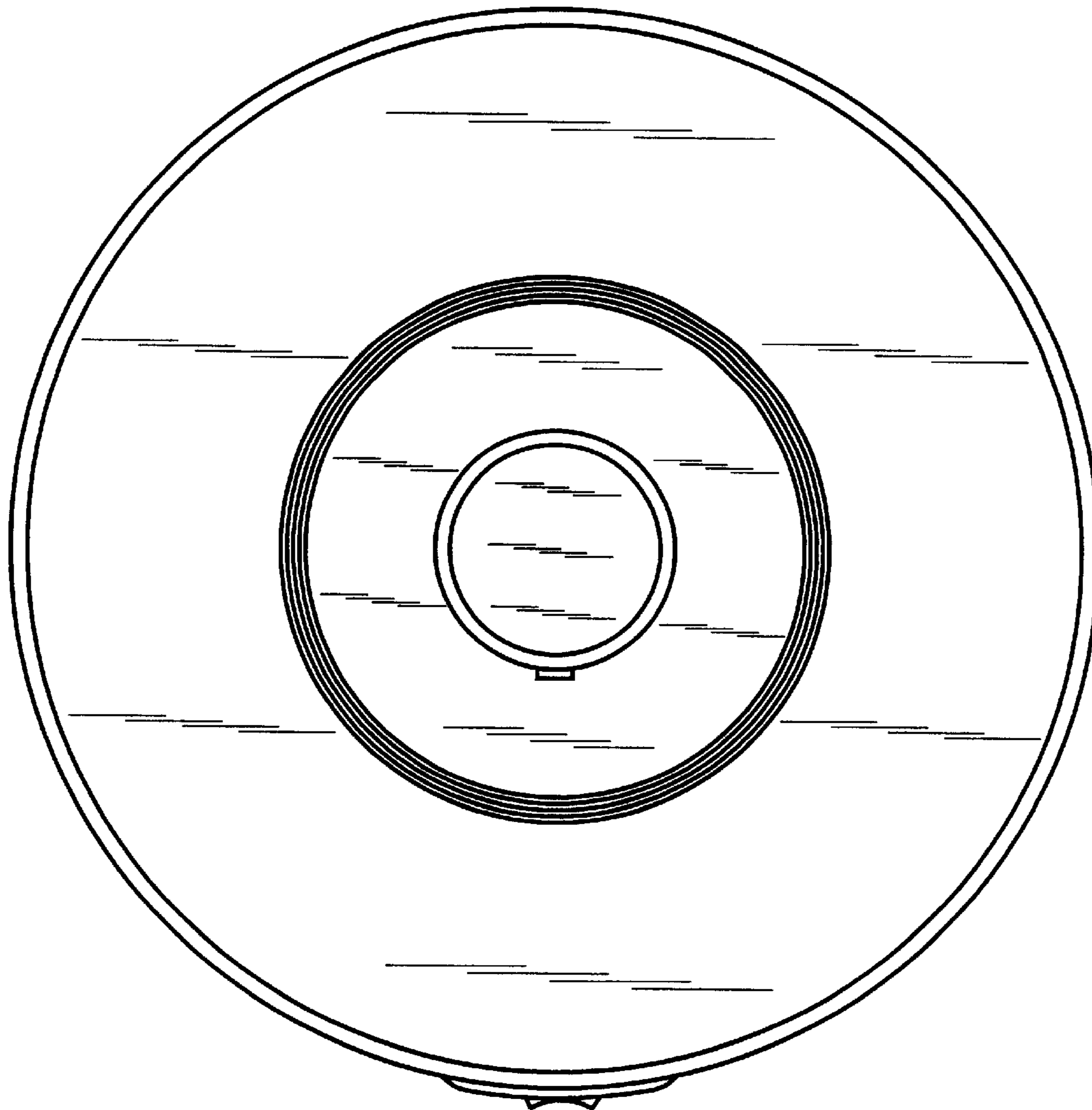


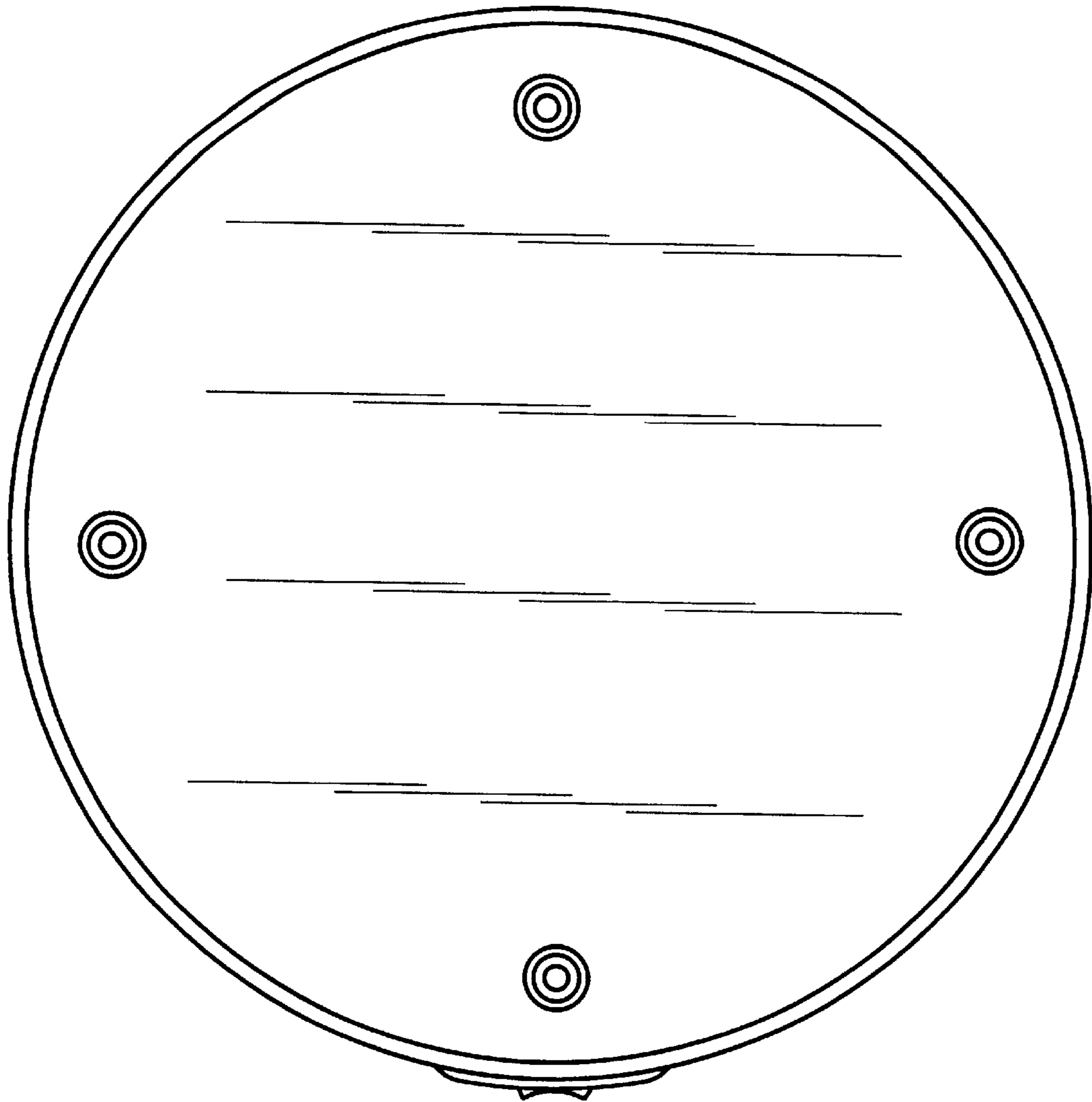
FIG. 3



—FIG. 4



—FIG. 5



—FIG. 6