

US00D493869S1

(12) **United States Design Patent**  
**Citterio**

(10) **Patent No.: US D493,869 S**

(45) **Date of Patent: \*\* Aug. 3, 2004**

(54) **SANITARY FITTING**

D466,195 S \* 11/2002 Marshall ..... D23/250  
D466,988 S \* 12/2002 Marshall ..... D23/250

(75) **Inventor: Antonio Citterio, Milan (IT)**

(73) **Assignee: Hansgrohe AG, Schiltach (DE)**

(\*\*) **Term: 14 Years**

(21) **Appl. No.: 29/178,371**

(22) **Filed: Mar. 25, 2003**

(30) **Foreign Application Priority Data**

Sep. 25, 2002 (DE) ..... 402 08 048

(51) **LOC (7) Cl. .... 23-01**

(52) **U.S. Cl. .... D23/245; D23/254**

(58) **Field of Search .... D23/233-254;  
137/801; 4/675-678; D8/353**

(56) **References Cited**

**U.S. PATENT DOCUMENTS**

- D86,672 S \* 4/1932 Ferguson ..... D23/250
- D284,687 S \* 7/1986 Doman et al. .... D23/249
- D300,238 S \* 3/1989 Kohler et al. .... D23/249
- D319,294 S \* 8/1991 Kohler et al. .... D23/254
- D421,099 S \* 2/2000 Mullenmeister ..... D23/254
- D425,604 S \* 5/2000 Fleischmann ..... D23/254
- D441,059 S \* 4/2001 Fleischmann ..... D23/254
- D458,668 S \* 6/2002 Mullenmeister ..... D23/254
- D459,445 S \* 6/2002 Mullenmeister ..... D23/254

**OTHER PUBLICATIONS**

- “Rubinetteria BANDINI” catalog, 1 page, Mar. 2002.
- “Rubinetteria BANDINI” catalog, 2 pages, Mar. 2002.
- “HANSA für das BAD” catalog, pp. 40 and 41, 1999.
- “GROHEART” catalog, pp. 64 and 65, Mar. 2001.
- KLUDI brochure, pp. 46 and 47, Aug. 2000.
- FRONTE water house, brochure, one page, Mar. 2002.

\* cited by examiner

*Primary Examiner*—Nelson C. Holtje

(74) *Attorney, Agent, or Firm*—Duane Morris LLP

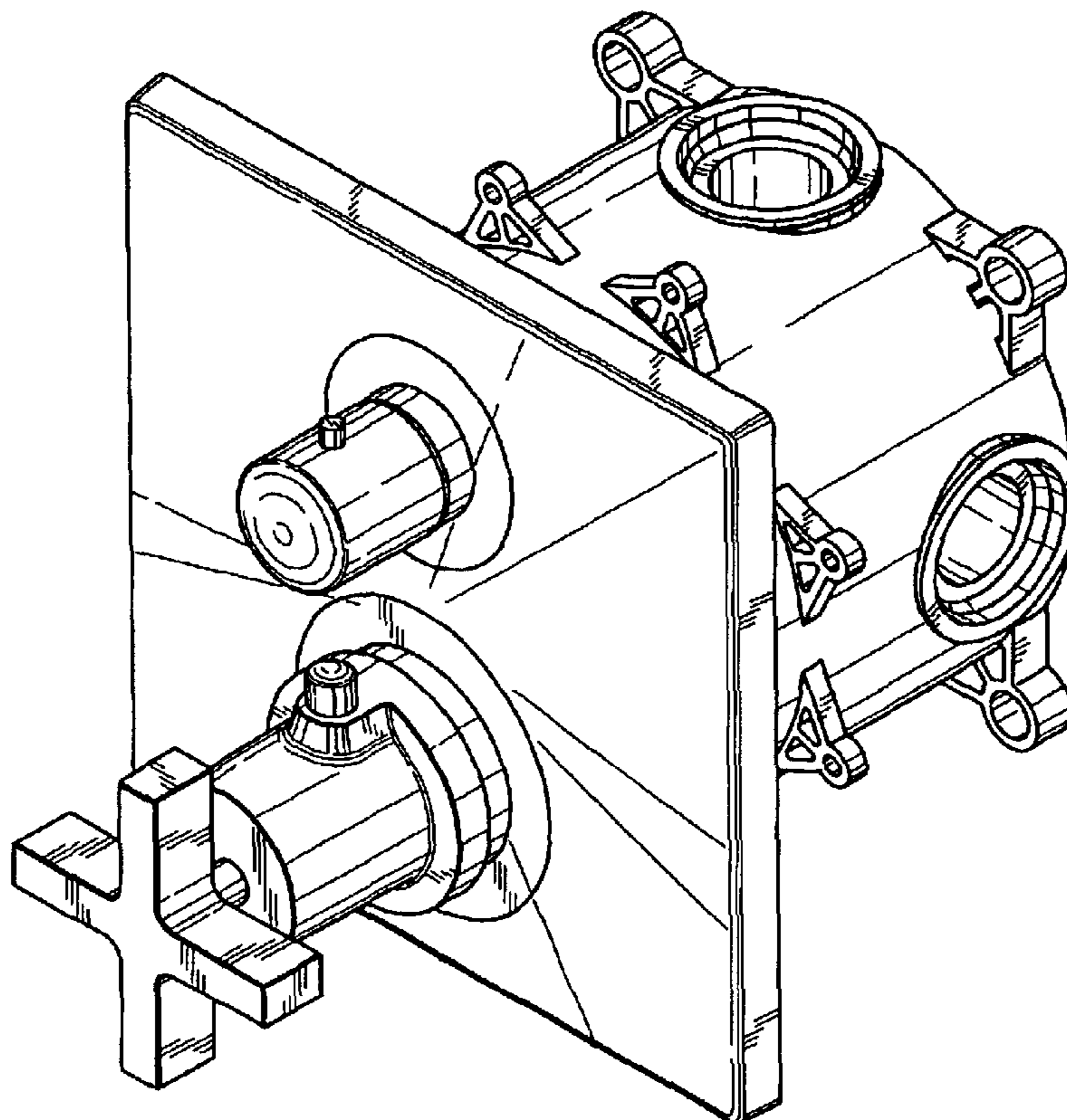
(57) **CLAIM**

The ornamental design for a sanitary fitting, as shown and described.

**DESCRIPTION**

- FIG. 1: is a side perspective view of the sanitary fitting showing my new design;
- FIG. 2: is a rear elevation view thereof;
- FIG. 3: is a side elevation view thereof (the opposite side being a mirror image);
- FIG. 4: is a front elevation view thereof;
- FIG. 5: is a top plan view thereof; and,
- FIG. 6: is a bottom plan view thereof.

**1 Claim, 3 Drawing Sheets**



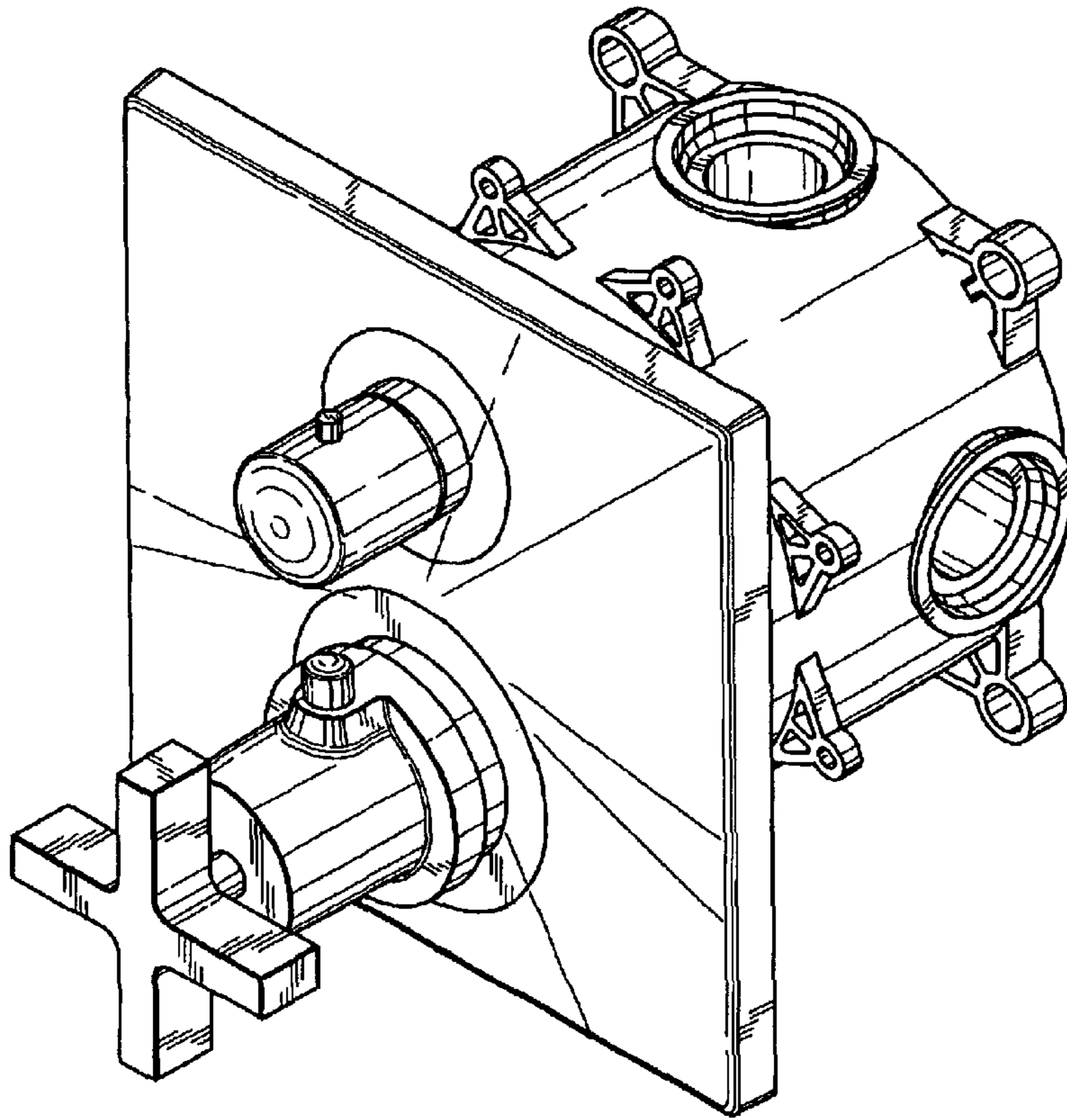


FIG. 1

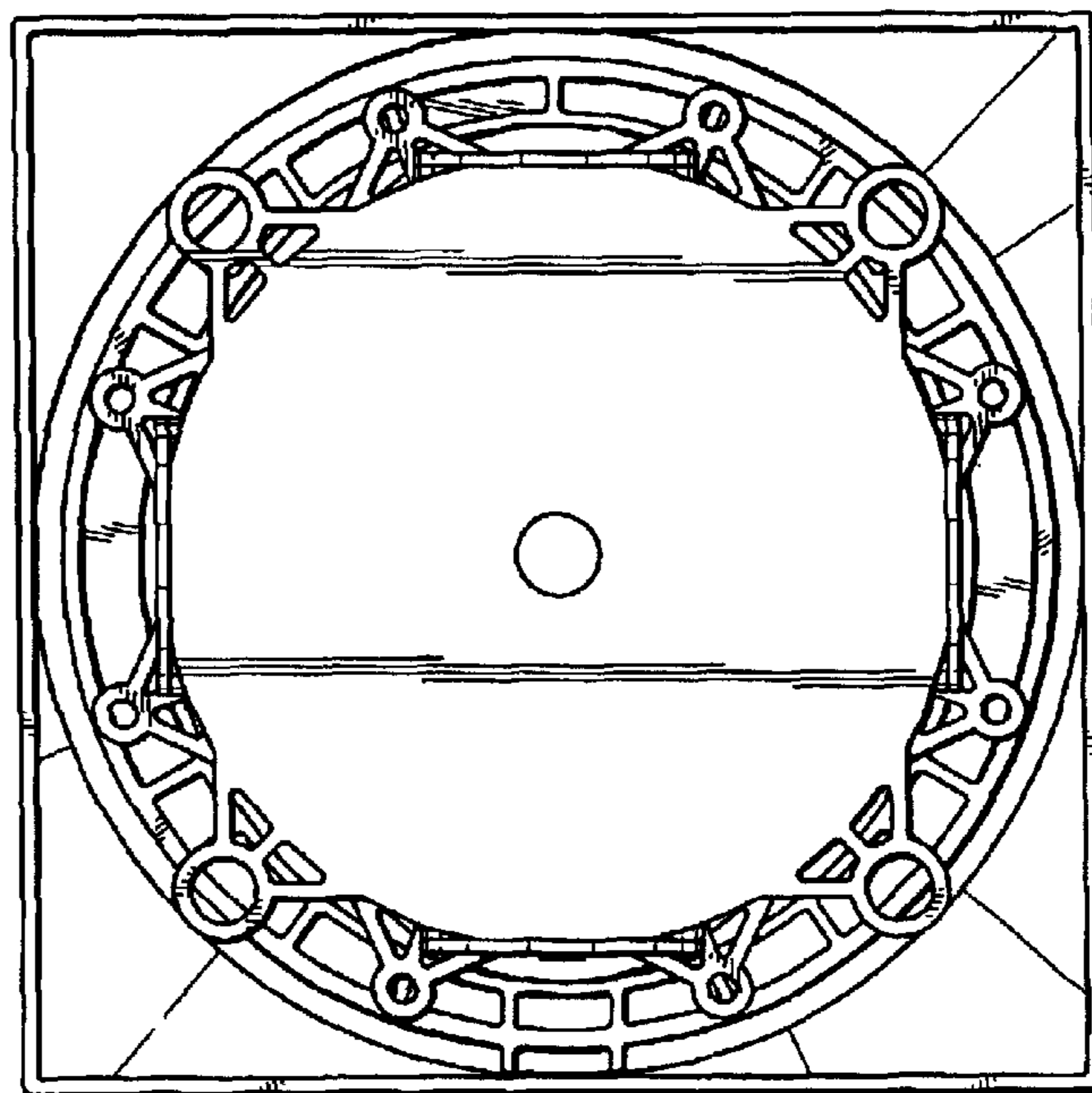


FIG. 2

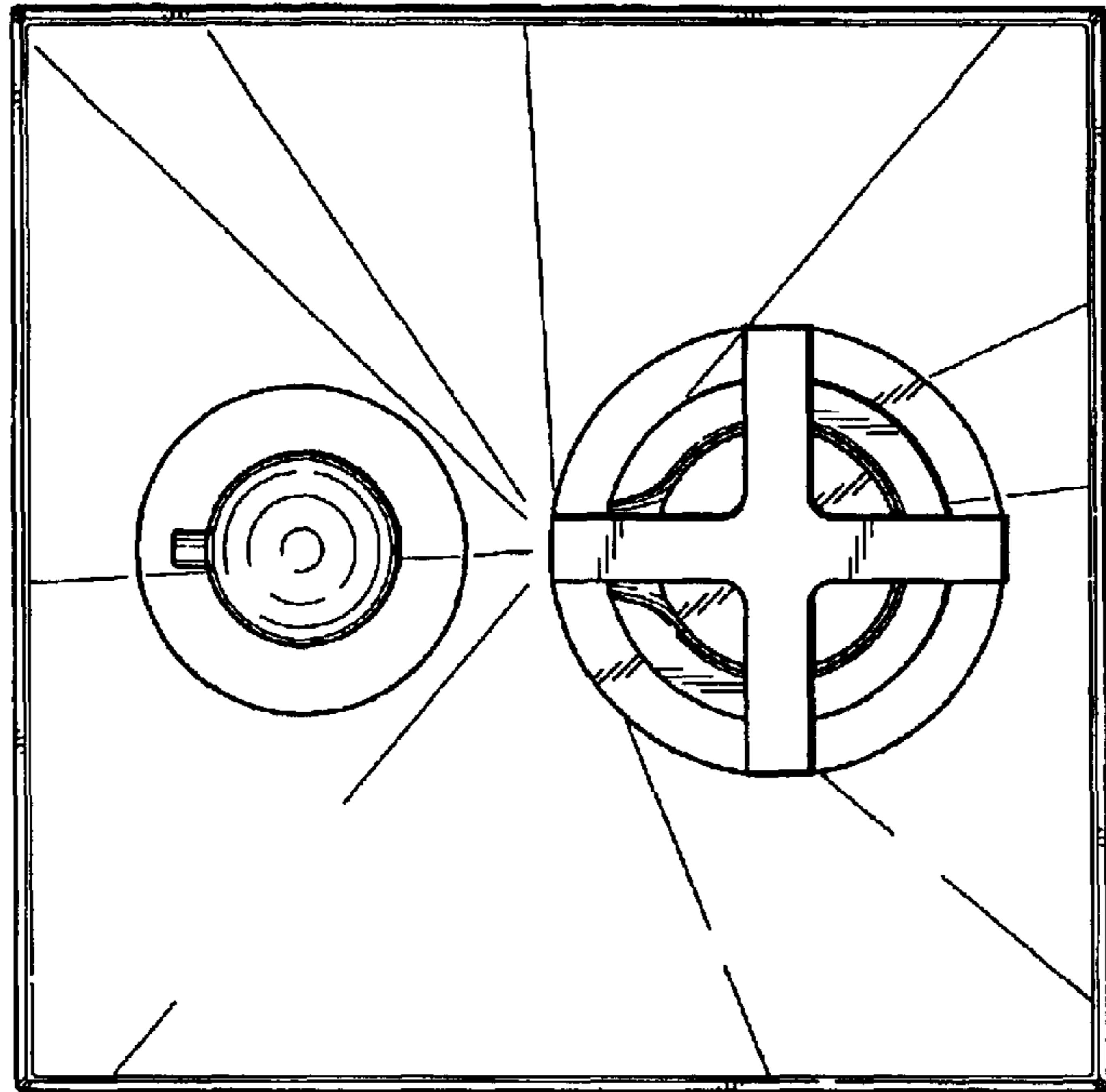


FIG. 4

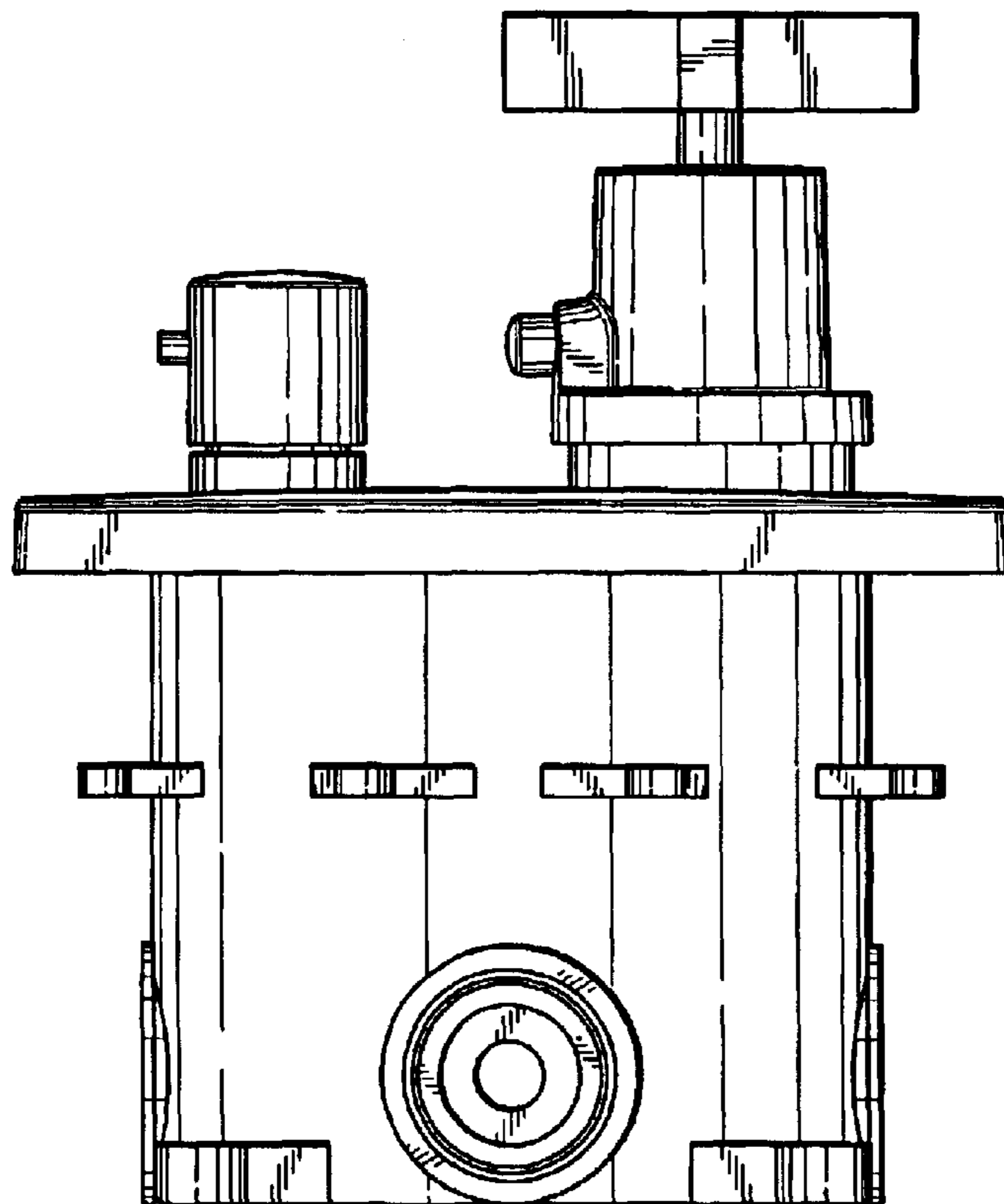


FIG. 3

