

US00D493868S1

(12) **United States Design Patent**
Haug et al.

(10) **Patent No.: US D493,868 S**

(45) **Date of Patent: ** Aug. 3, 2004**

(54) **SANITARY FITTING**

D461,537 S * 8/2002 Ouyoung D23/254
D469,164 S * 1/2003 Lim D23/254

(75) Inventors: **Andreas Haug**, Stuttgart (DE); **Tom Schönherr**, Stuttgart (DE); **Andreas Dimitriadis**, Lorch (DE)

OTHER PUBLICATIONS

Fantini Rubinetteria, catalog, 2 pages, Sep., 1999.
Framo-Rubinetteria, catalog, 1 page, Mar., 2002.
Newform-Rubinetteria, catalog, 2 pages, Mar., 2002.
Il tuo rubinetto by Fonte, 2 pages, Mar., 2002.
Dornbracht, catalog, one page, Mar., 2001.

(73) Assignee: **Hansgrohe AG**, Schiltach (DE)

(**) Term: **14 Years**

* cited by examiner

(21) Appl. No.: **29/177,536**

(22) Filed: **Mar. 11, 2003**

Primary Examiner—Nelson C. Holtje

(30) **Foreign Application Priority Data**

(74) *Attorney, Agent, or Firm*—Duane Morris LLP

Sep. 11, 2002 (DE) 4 02 07 567

(57) **CLAIM**

(51) **LOC (7) Cl.** **23-01**

The ornamental design for a sanitary fitting, as shown and described.

(52) **U.S. Cl.** **D23/245; D23/254**

DESCRIPTION

(58) **Field of Search** D23/233–254;
137/801, 359; 4/675–678; D8/353

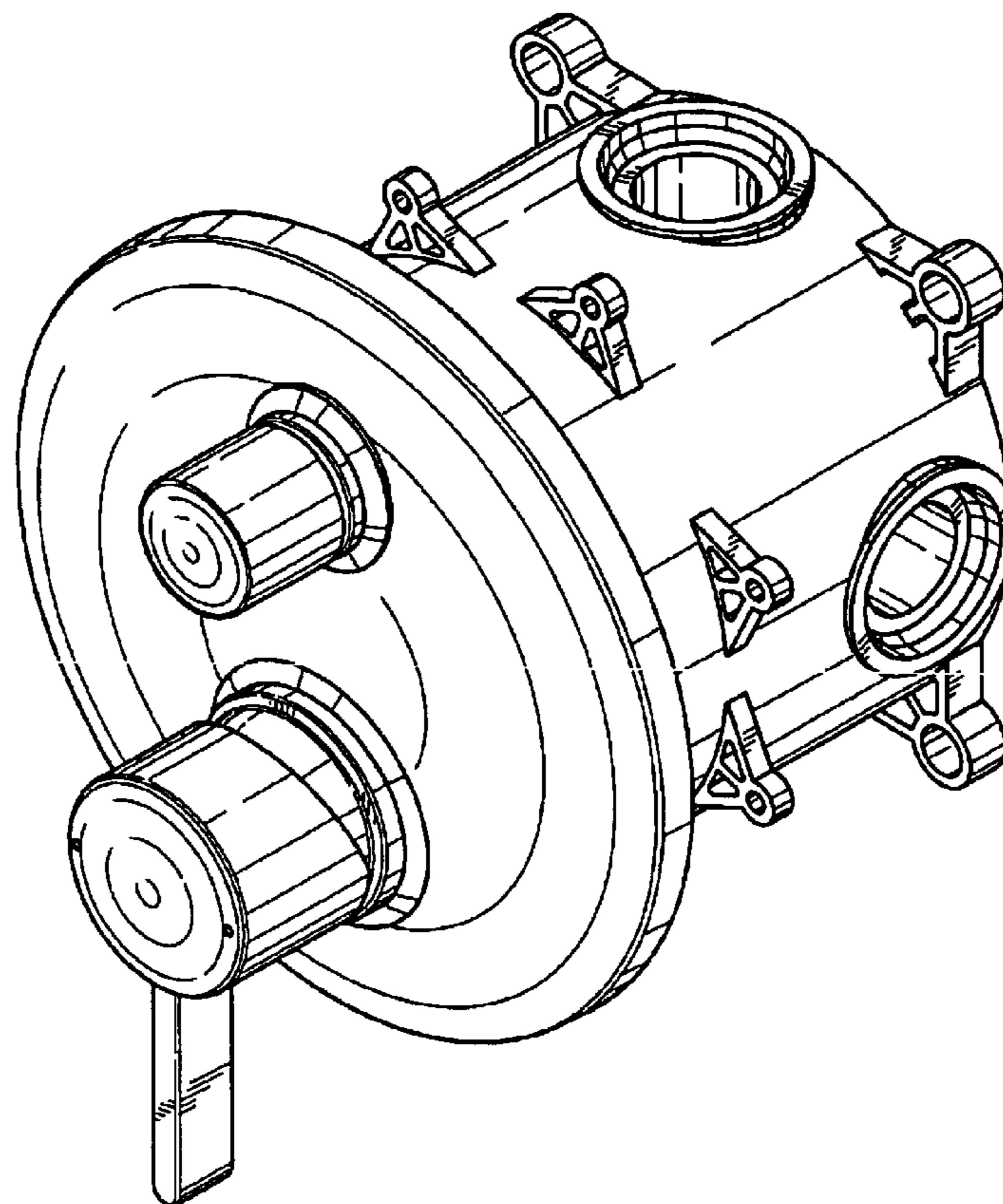
FIG. 1: is the side perspective view of the sanitary fitting showing our new design;
FIG. 2: is a rear elevation view thereof;
FIG. 3: is a side elevation view thereof (the opposite side being a mirror image);
FIG. 4: is a front elevation view thereof;
FIG. 5: is a top plan view thereof; and,
FIG. 6: is a bottom plan view thereof.

(56) **References Cited**

U.S. PATENT DOCUMENTS

D291,239 S * 8/1987 Haug et al. D23/252
5,161,567 A * 11/1992 Humpert 137/359
D363,765 S * 10/1995 Starck D23/254
D409,290 S * 5/1999 Gottwald D23/254
D441,845 S * 5/2001 Fleischmann D23/254
D441,846 S * 5/2001 Mullenmeister D23/254

1 Claim, 3 Drawing Sheets



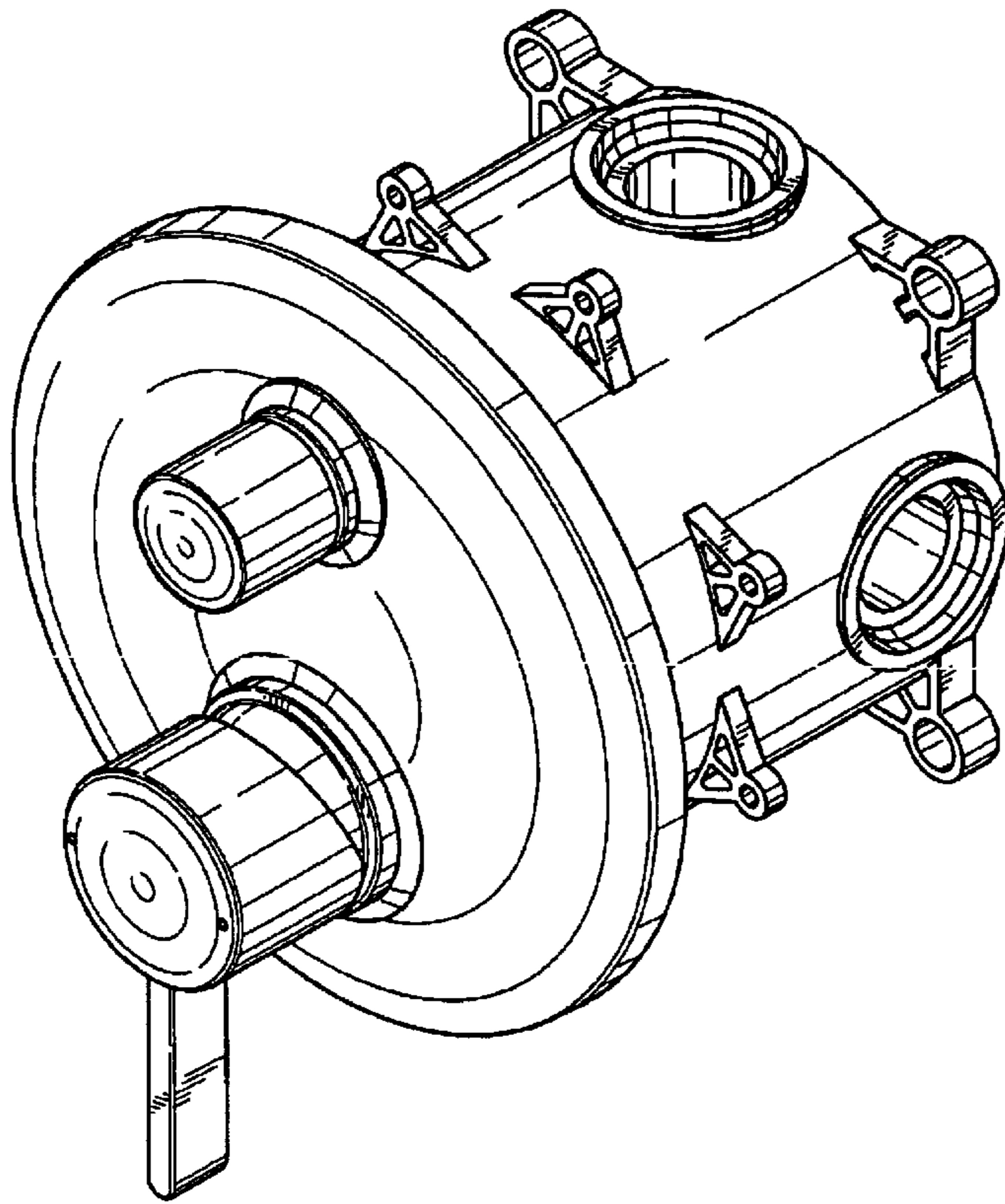
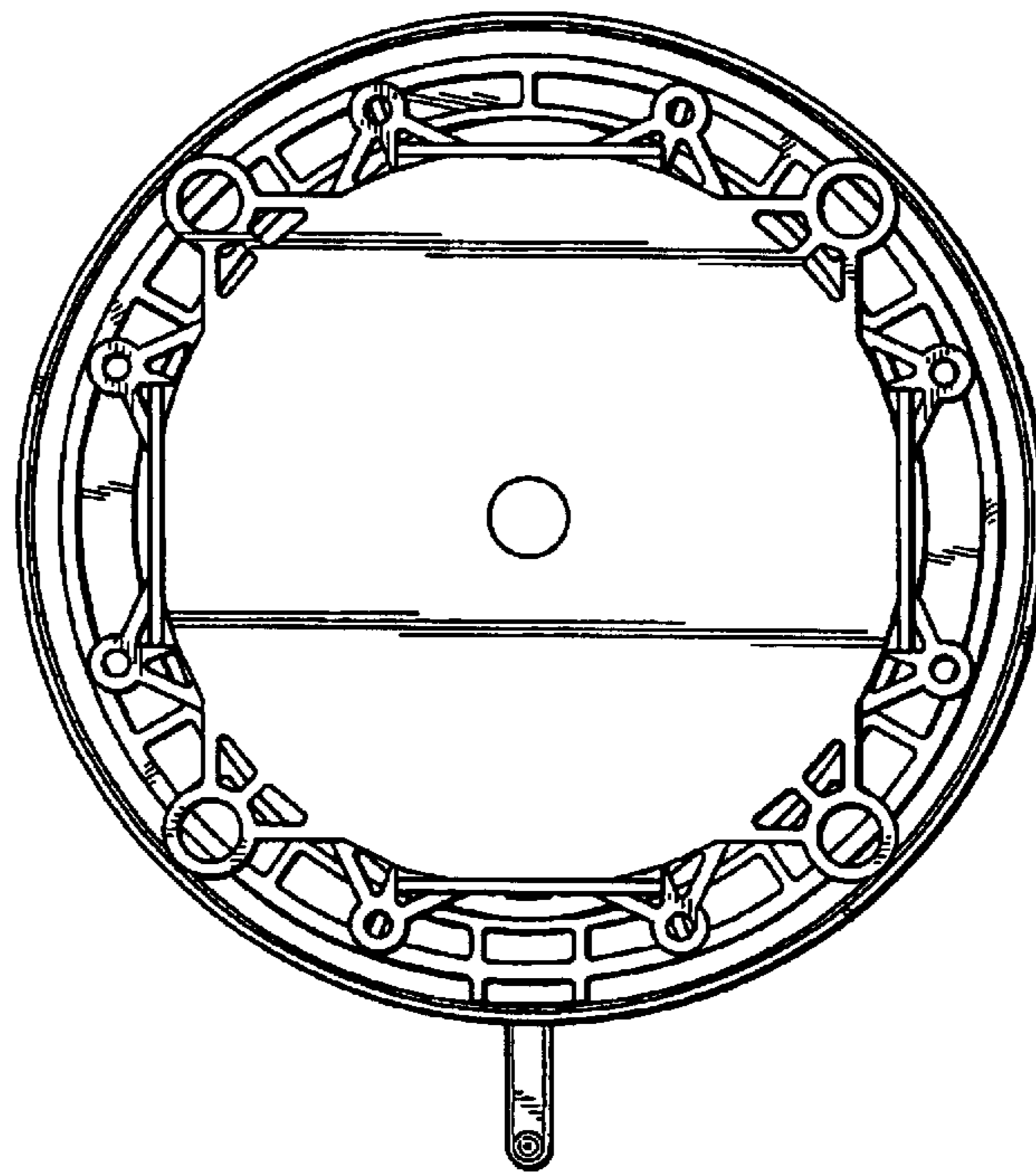


FIG. 1

FIG. 2



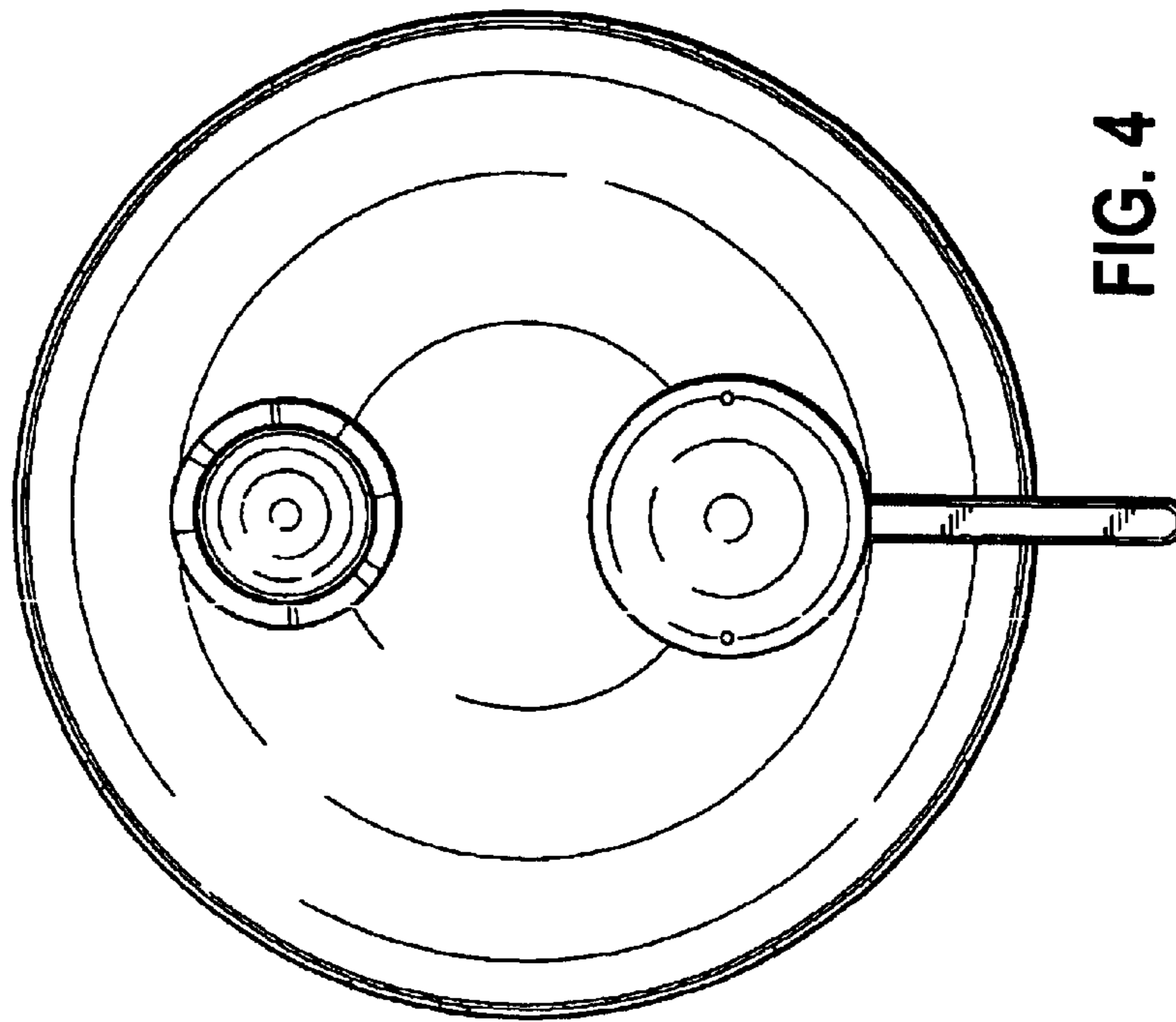


FIG. 4

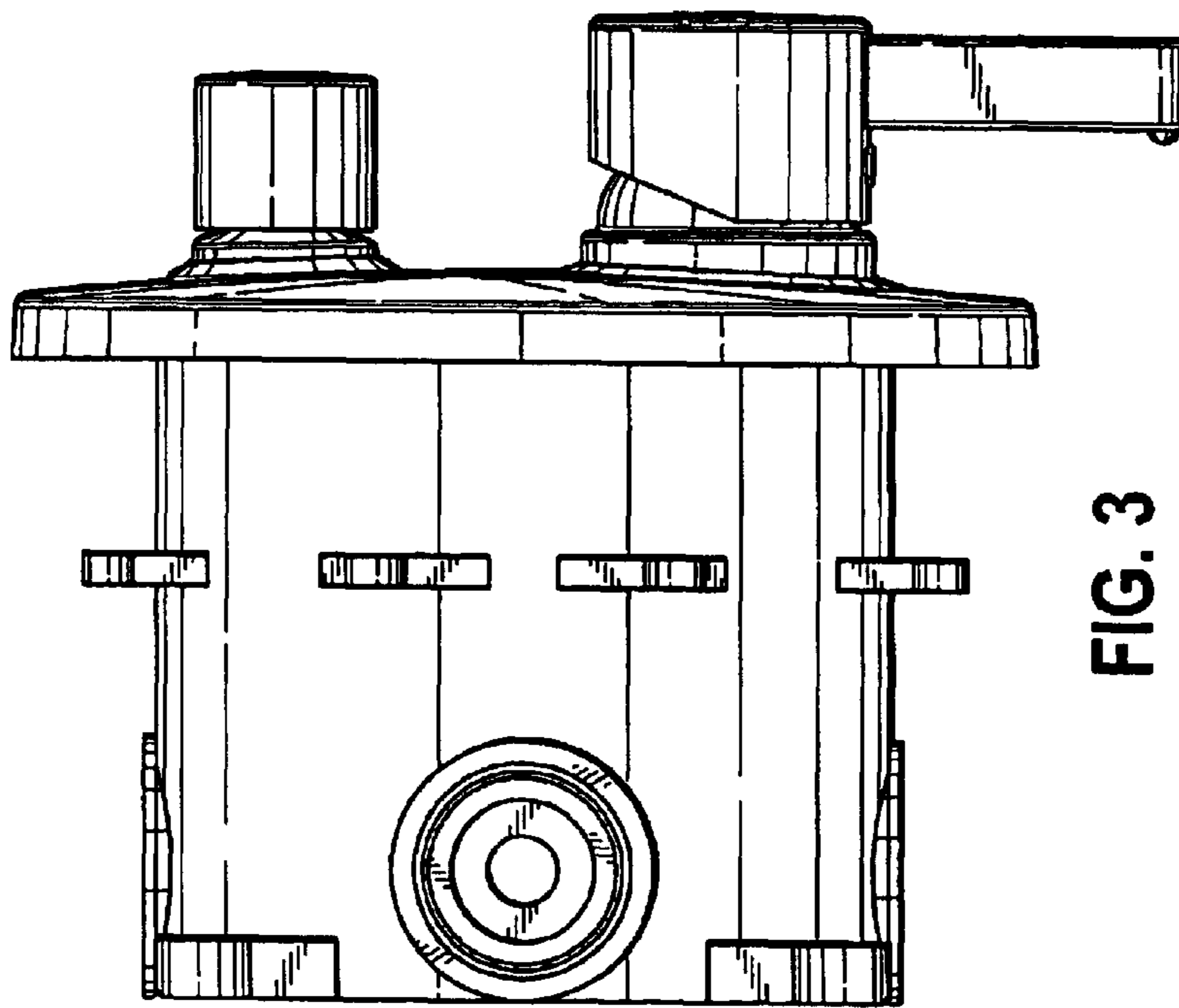


FIG. 3

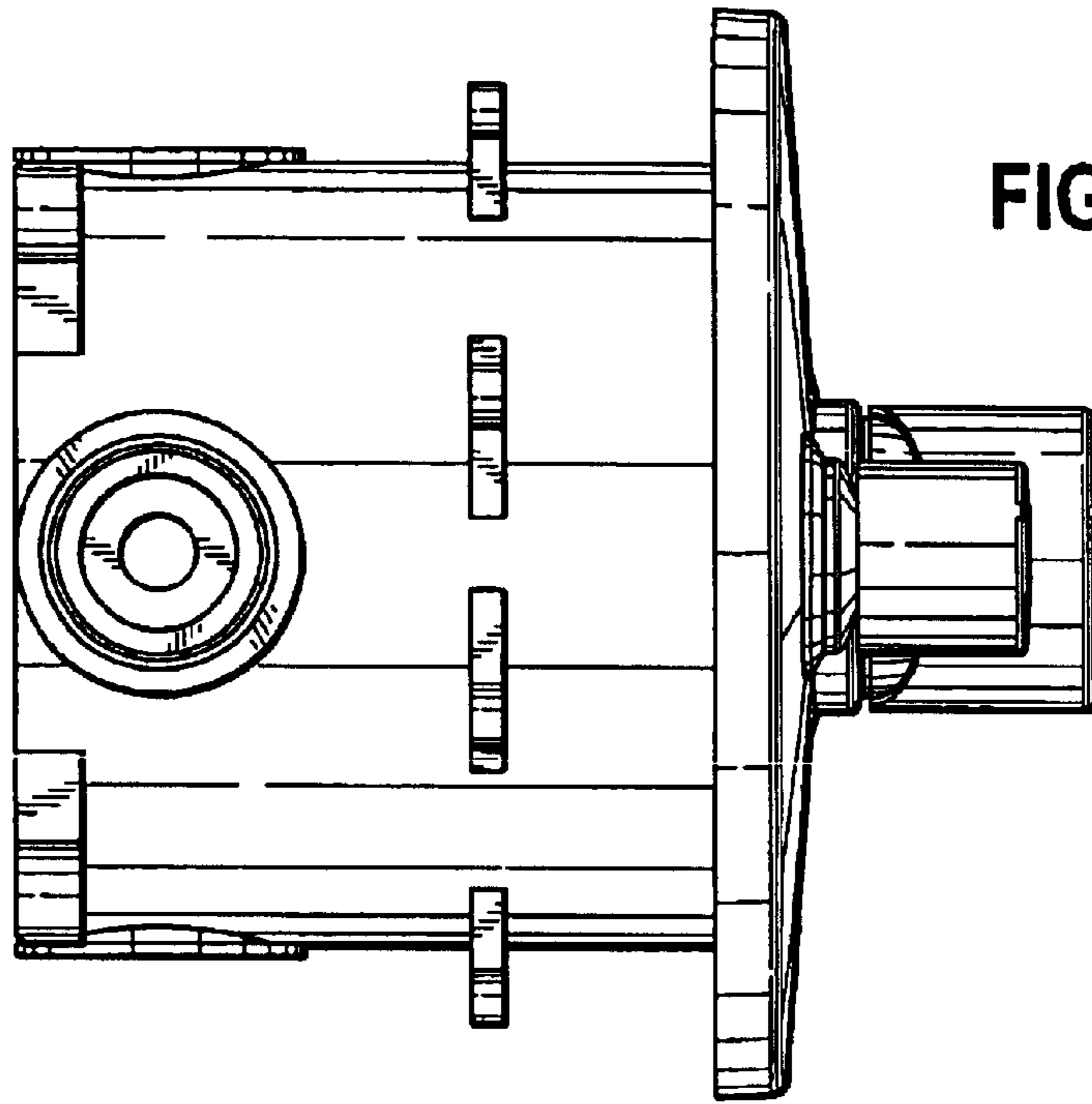


FIG. 5

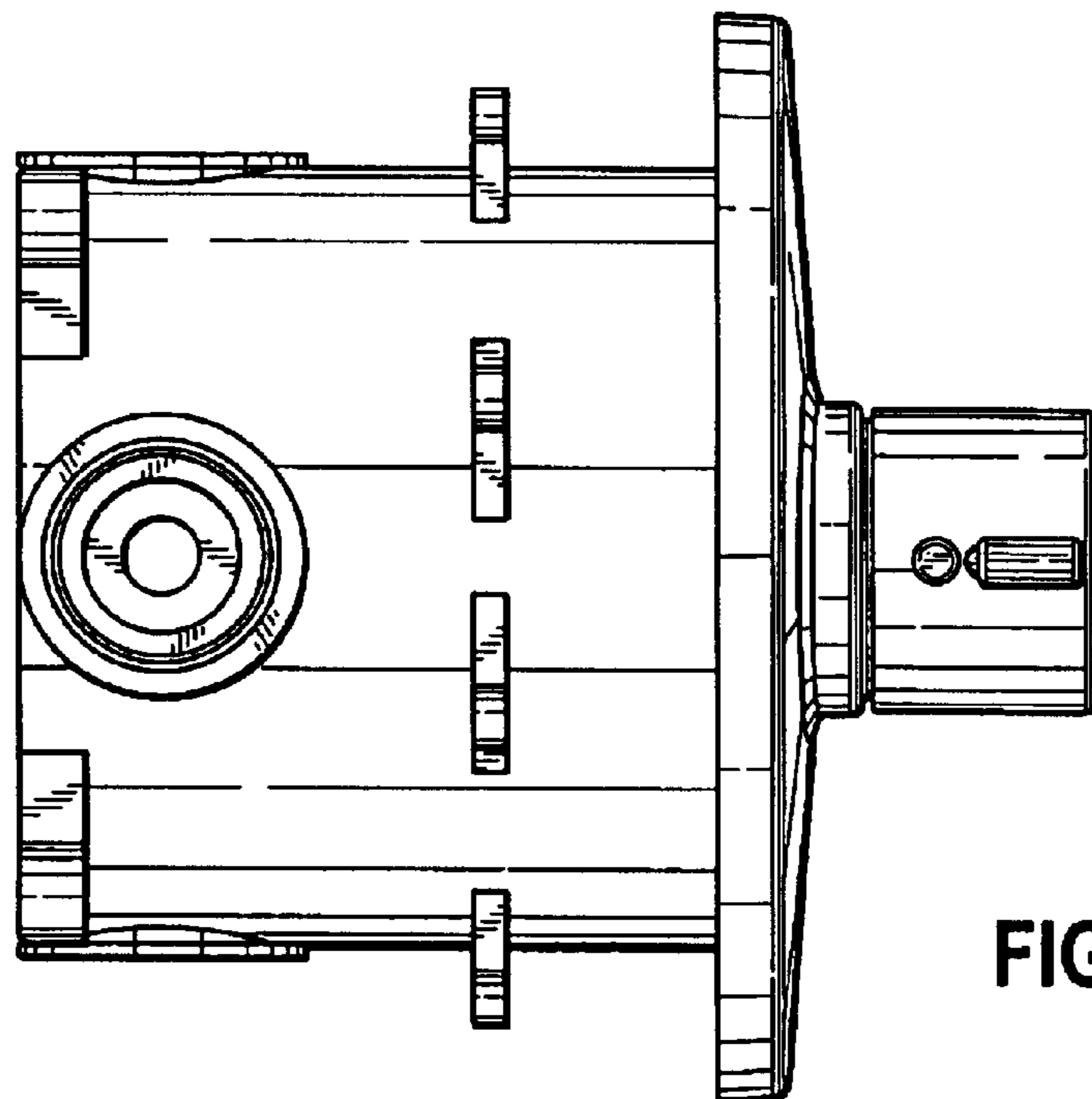


FIG. 6