

US00D493865S1

(12) **United States Design Patent**
Williams

(10) **Patent No.:** **US D493,865 S**

(45) **Date of Patent:** **** Aug. 3, 2004**

(54) **SPRAY HEAD FOR TWO CONTAINER
PROPELLANT-BASED LIQUID SPRAYER**

D307,313 S * 4/1990 Nugent D23/225
6,062,493 A * 5/2000 Abplanalp 239/318

(75) **Inventor:** **David A. Williams**, Gardnerville, NV
(US)

* cited by examiner

Primary Examiner—Robin V. Taylor

(73) **Assignee:** **Aerove Industries, Inc.**, Gardnerville,
NV (US)

(74) *Attorney, Agent, or Firm*—Mark C. Jacobs

(**) **Term:** **14 Years**

(57) **CLAIM**

The ornamental design for spray head for two container
propellant-based liquid sprayer, as shown and described.

(21) **Appl. No.:** **29/188,231**

DESCRIPTION

(22) **Filed:** **Aug. 15, 2003**

(51) **LOC (7) Cl.** **23-01**

FIG. 1 is a perspective view of this invention.

(52) **U.S. Cl.** **D23/213; D23/225**

FIG. 2 is a top elevational view of this invention.

(58) **Field of Search** D23/213, 225;
239/302, 303, 304, 339

FIG. 3 is a left side view of this invention, the right side is
mirror image thereof.

FIG. 4 is a rear view of this invention.

FIG. 5 is a front view thereof.

FIG. 6 is a bottom plan view of this invention; and,

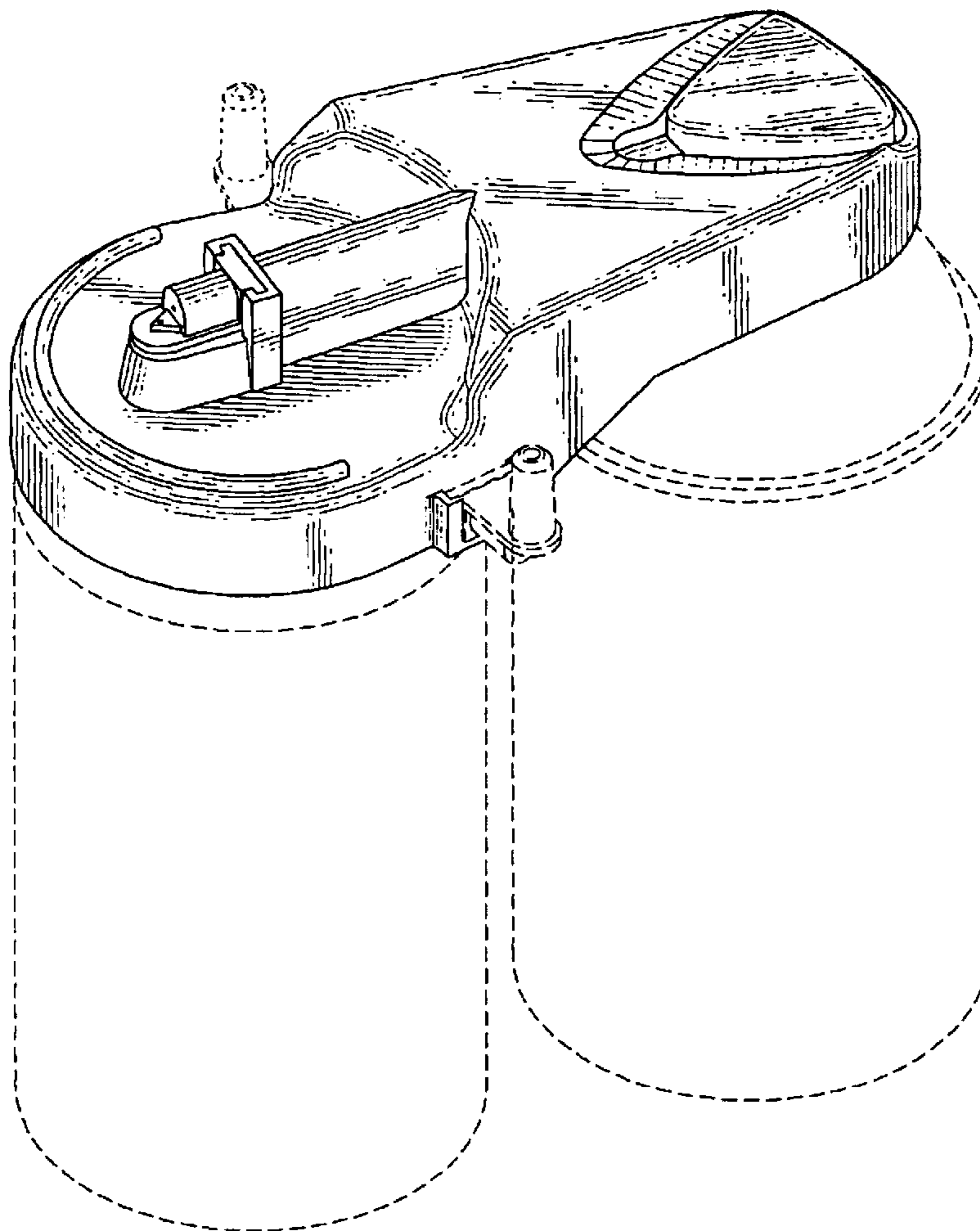
FIG. 7 is a perspective view of this invention in its envi-
ronment shown in dashed lines form no part of this design.

(56) **References Cited**

U.S. PATENT DOCUMENTS

D187,439 S * 3/1960 Ellis D23/225
3,044,713 A * 7/1962 Ellis 239/346

1 Claim, 2 Drawing Sheets



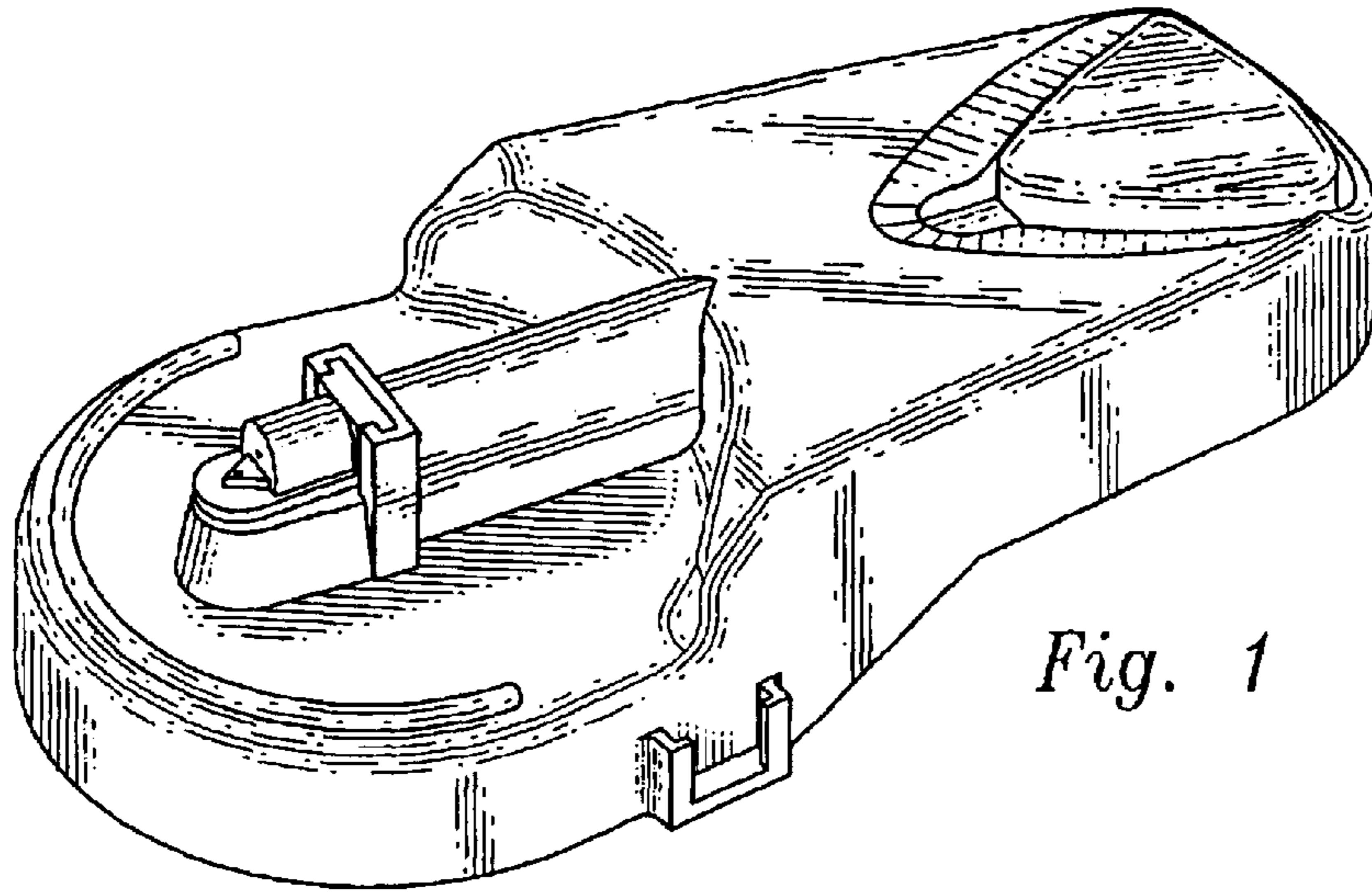


Fig. 1

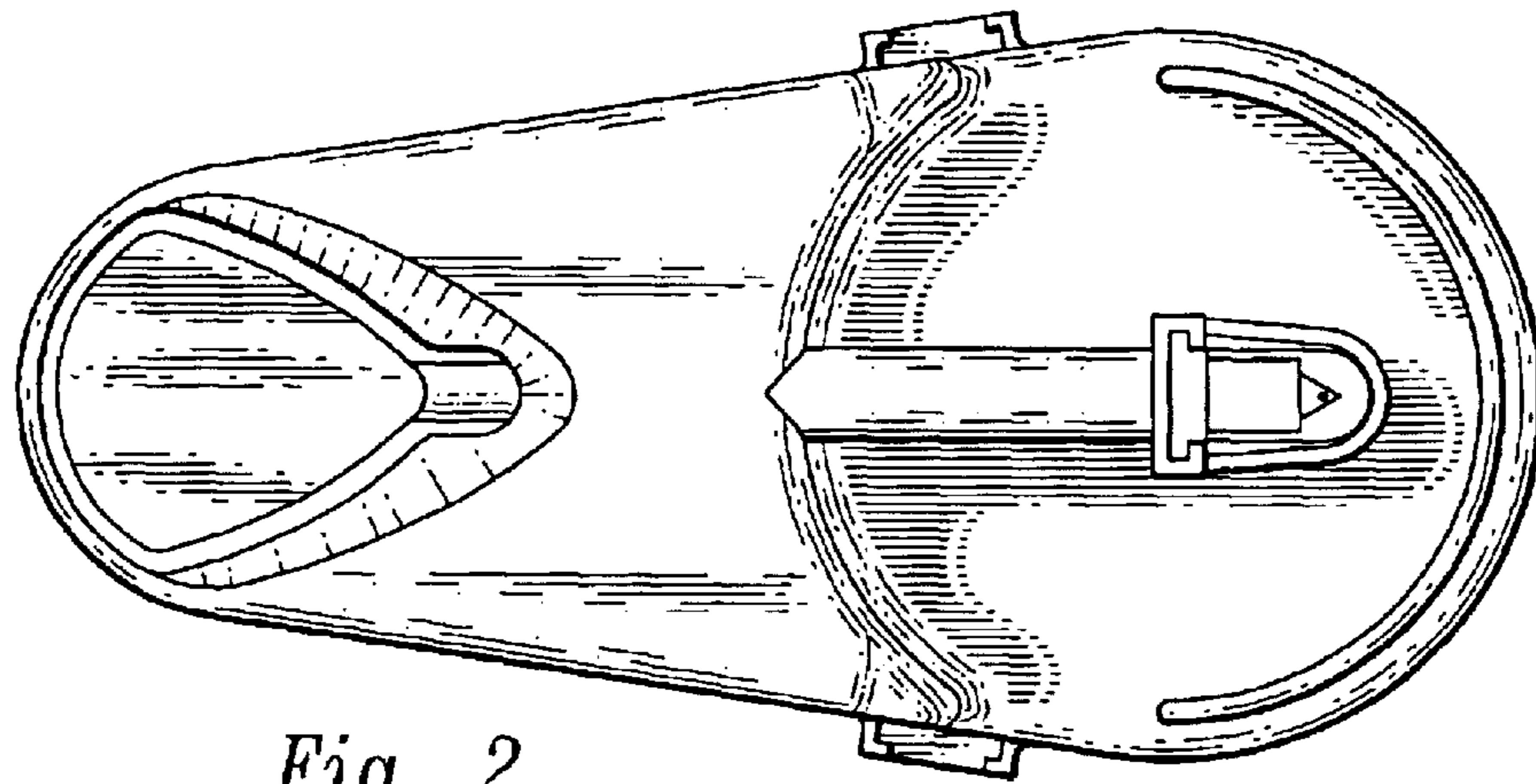


Fig. 2

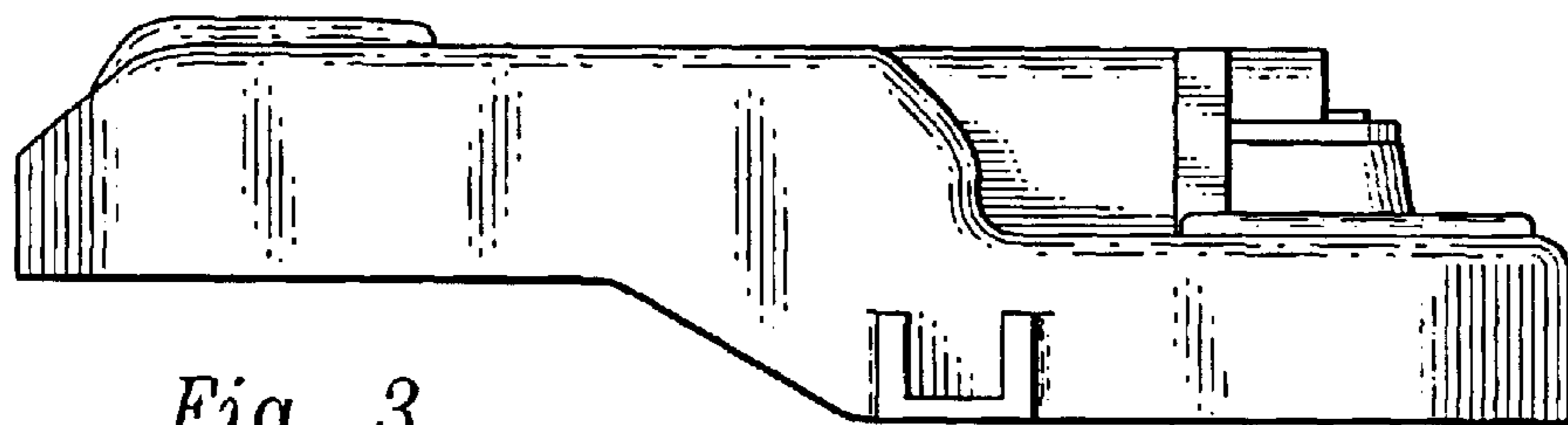


Fig. 3

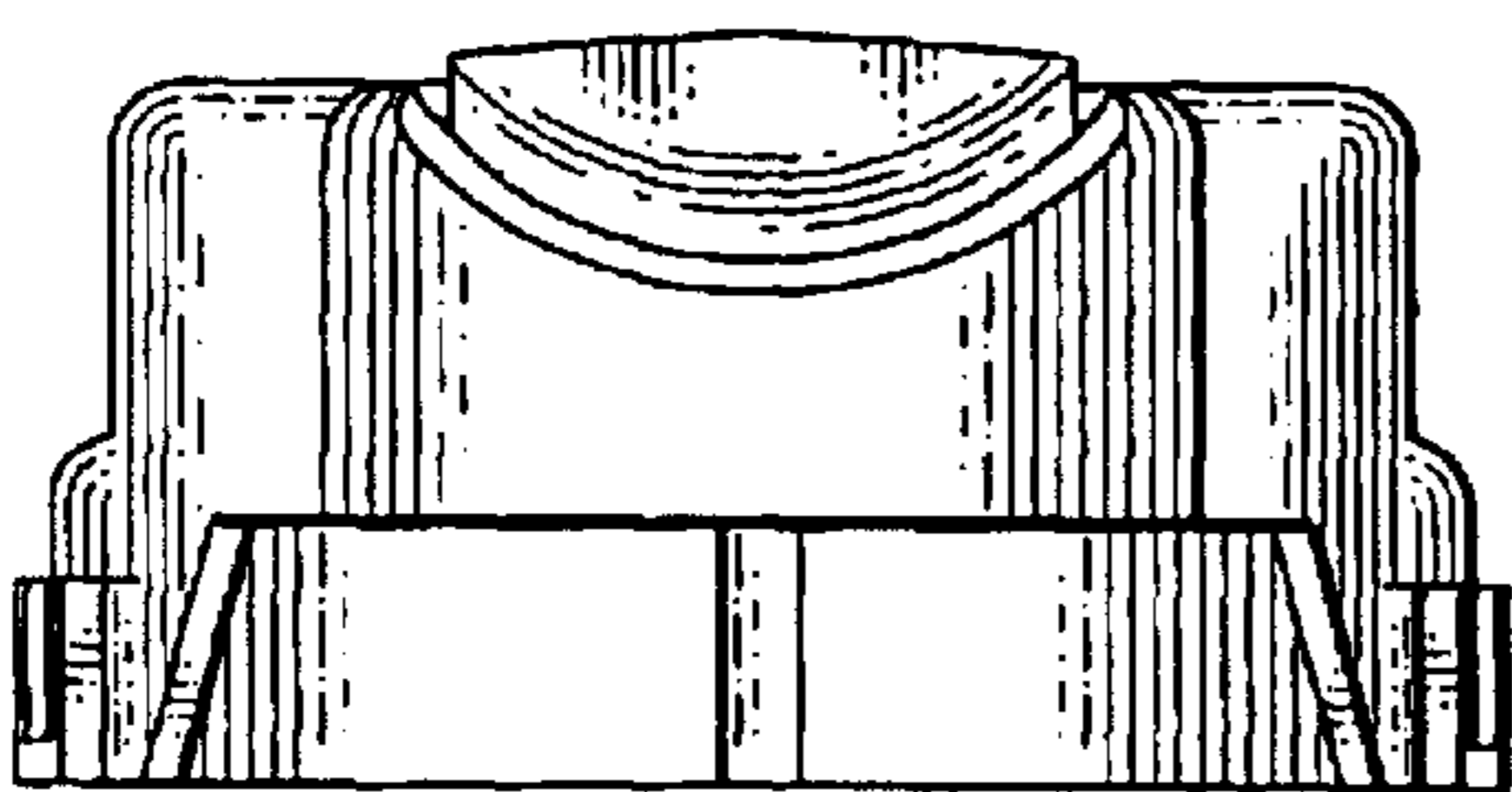


Fig. 4

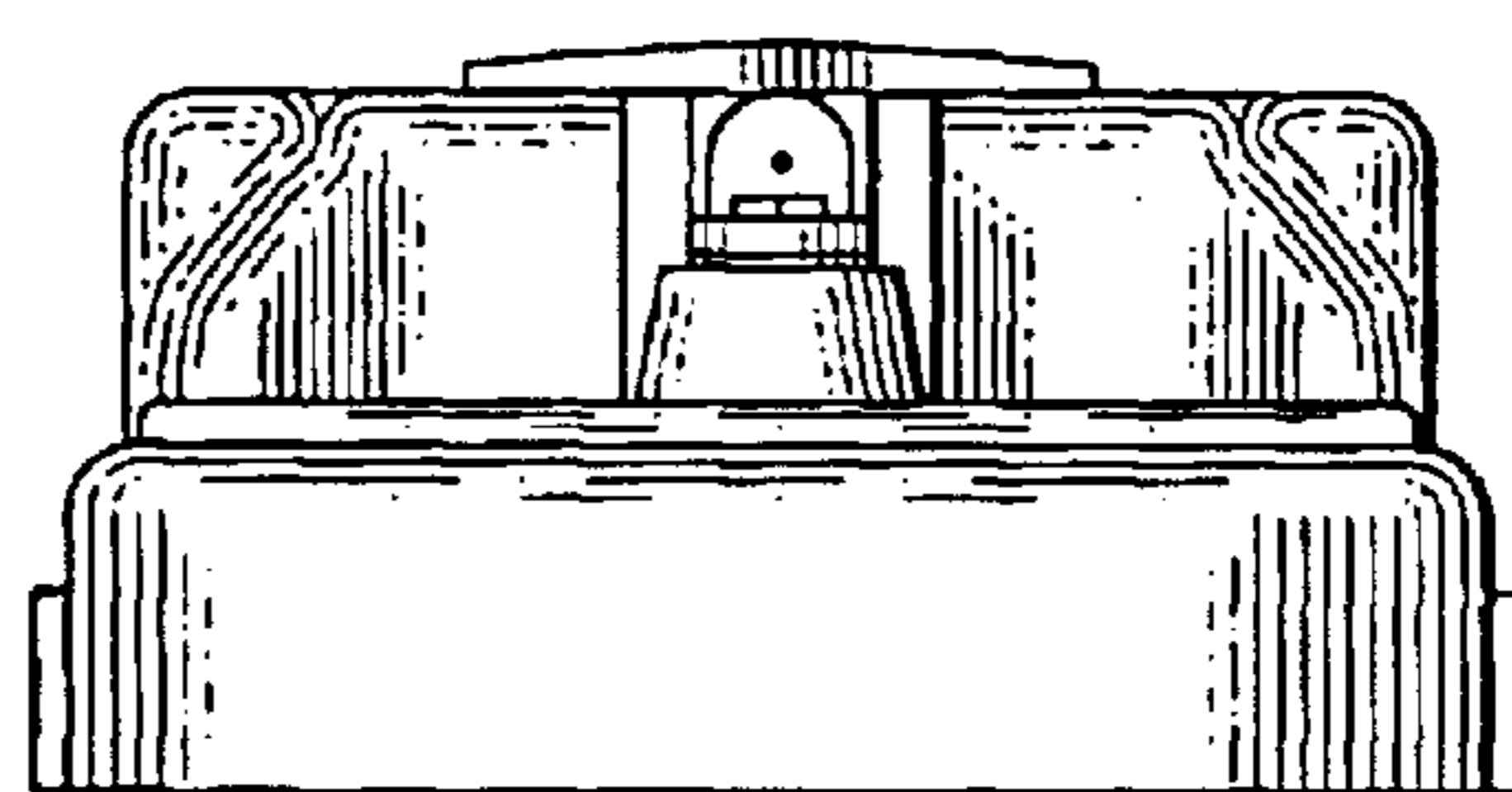


Fig. 5

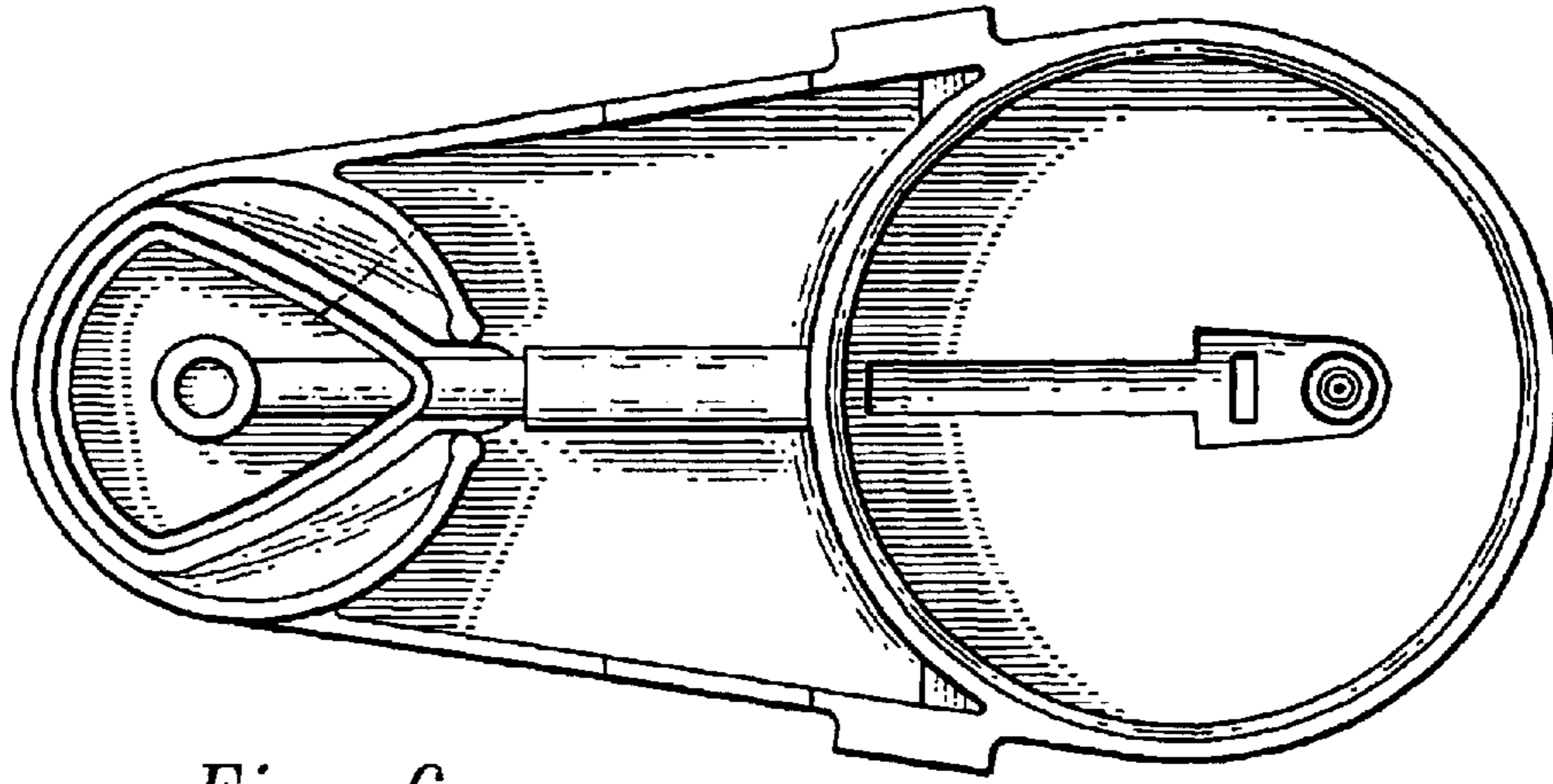


Fig. 6

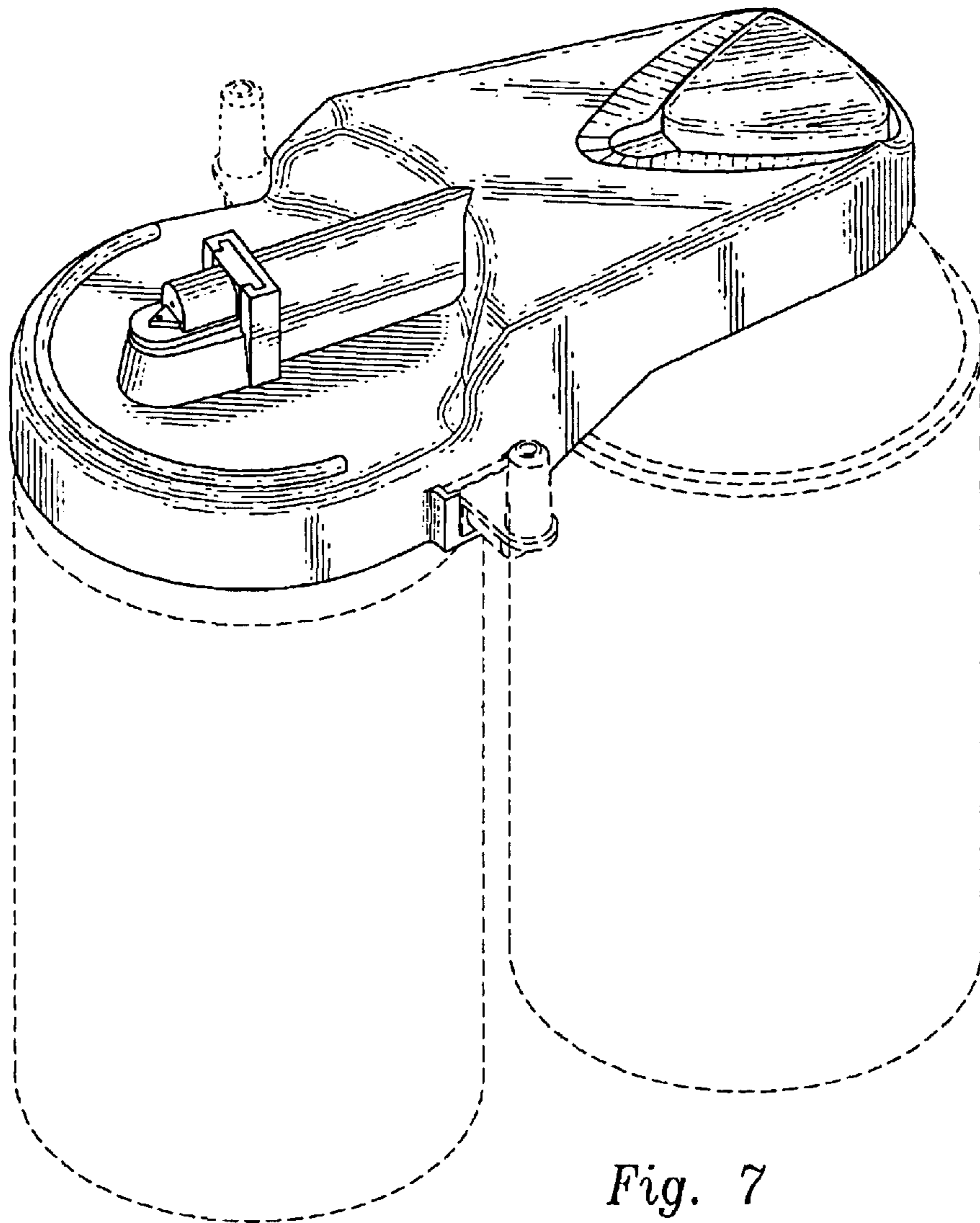


Fig. 7