

US00D493861S1

(12) **United States Design Patent**
Rauch et al.

(10) **Patent No.: US D493,861 S**
(45) **Date of Patent: ** Aug. 3, 2004**

(54) **FIREARM AMMUNITION MAGAZINE BASE
PAD**

5,526,600 A * 6/1996 Chesnut et al. 42/7 X
D401,992 S * 12/1998 Pearce D22/108
6,557,287 B2 * 5/2003 Wollmann 42/7 X

(76) Inventors: **R. Walter Rauch**, 2018 Spring Mill
Rd., Lafayette Hill, PA (US) 19444;
James Bruce Glendening, 830
Alexander Ave., Drexel Hill, PA (US)
19026

* cited by examiner

Primary Examiner—Louis S. Zarfes
Assistant Examiner—Monica A. Weingart

(**) Term: **14 Years**

(57) **CLAIM**

The ornamental design for a firearm ammunition magazine
base pad, as shown and described.

(21) Appl. No.: **29/174,059**

DESCRIPTION

(22) Filed: **Jan. 8, 2003**

(51) **LOC (7) Cl.** **22-01**

(52) **U.S. Cl.** **D22/108**

(58) **Field of Search** D3/100, 108, 116,
D3/199; 42/6, 7, 50, 18, 22, 49.01, 49.02

FIG. 1 is a right front perspective view of the invention;
FIG. 2 is a top right rear perspective view of the invention;
FIG. 3 is a bottom left front view of the invention;
FIG. 4 is a left side elevational view of the invention;
FIG. 5 is a front elevational view of the invention; and,
FIG. 6 is a rear elevational view of the invention.

The firearm ammunition magazine is shown in broken lines
for illustrative purposes only and forms no part of the
claimed design.

(56) **References Cited**

U.S. PATENT DOCUMENTS

D344,780 S * 3/1994 Jenkins D22/108
5,438,783 A * 8/1995 Sniezak et al. 42/50 X
D362,044 S * 9/1995 Sniezak D22/108

1 Claim, 3 Drawing Sheets

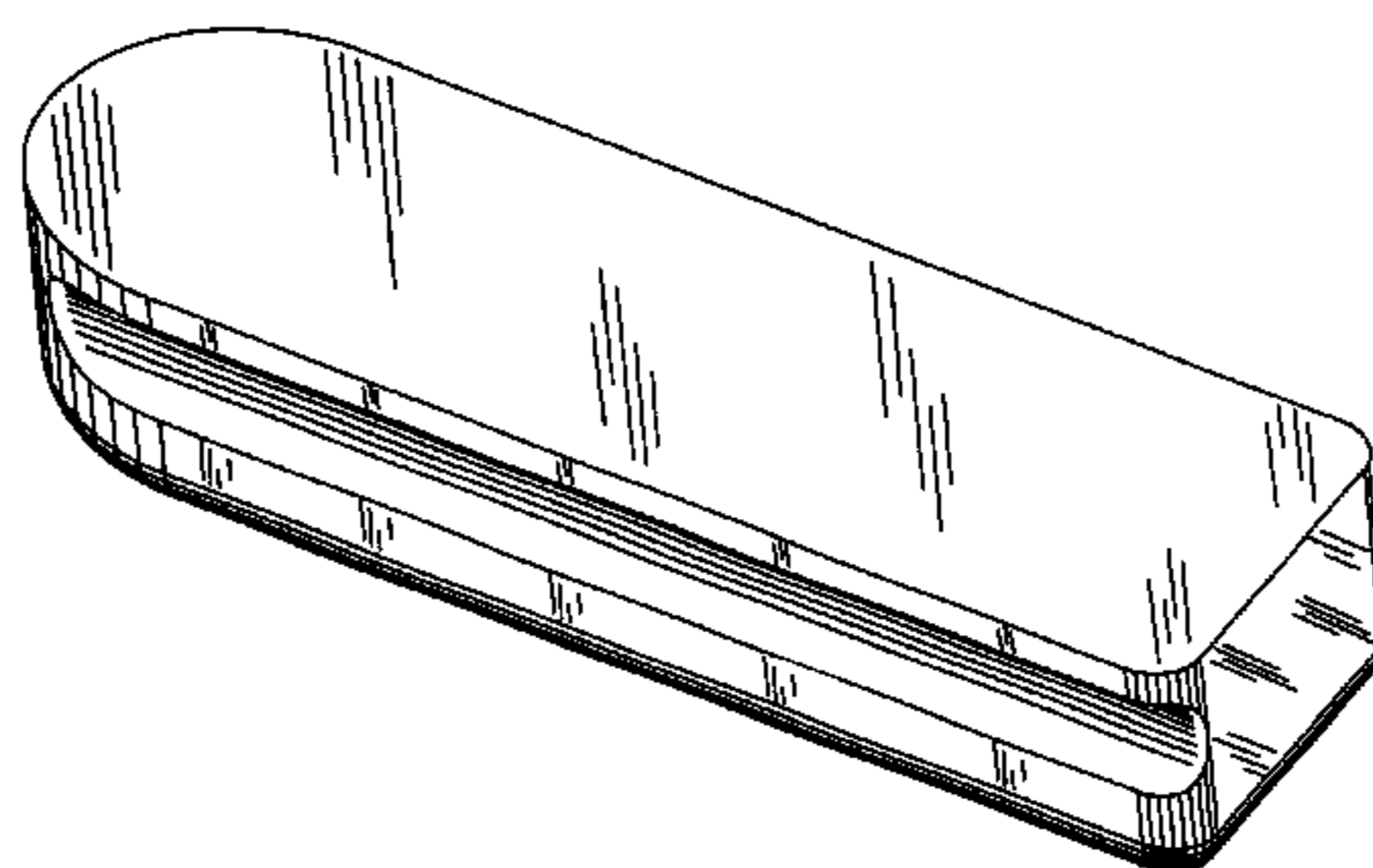
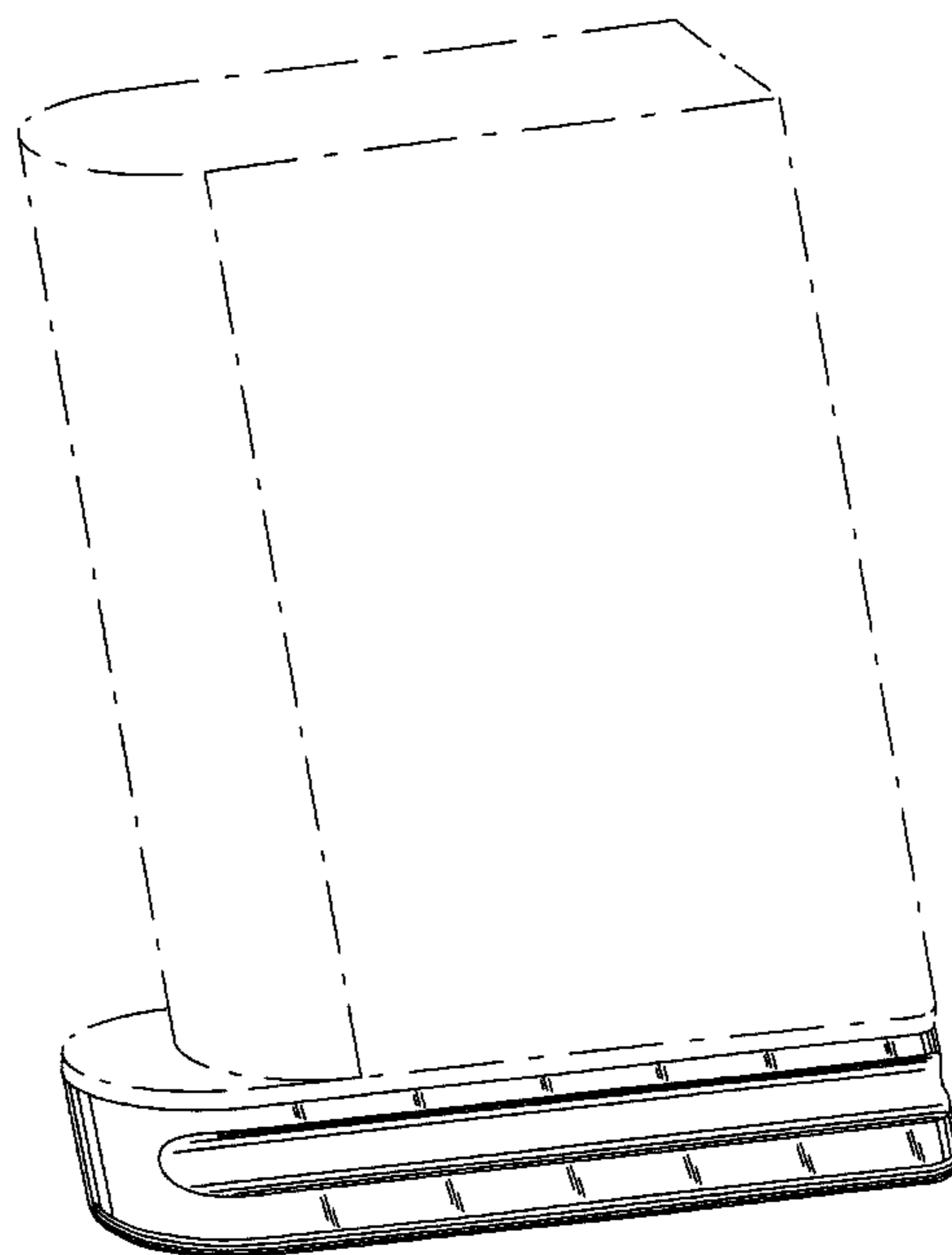


FIG. 1

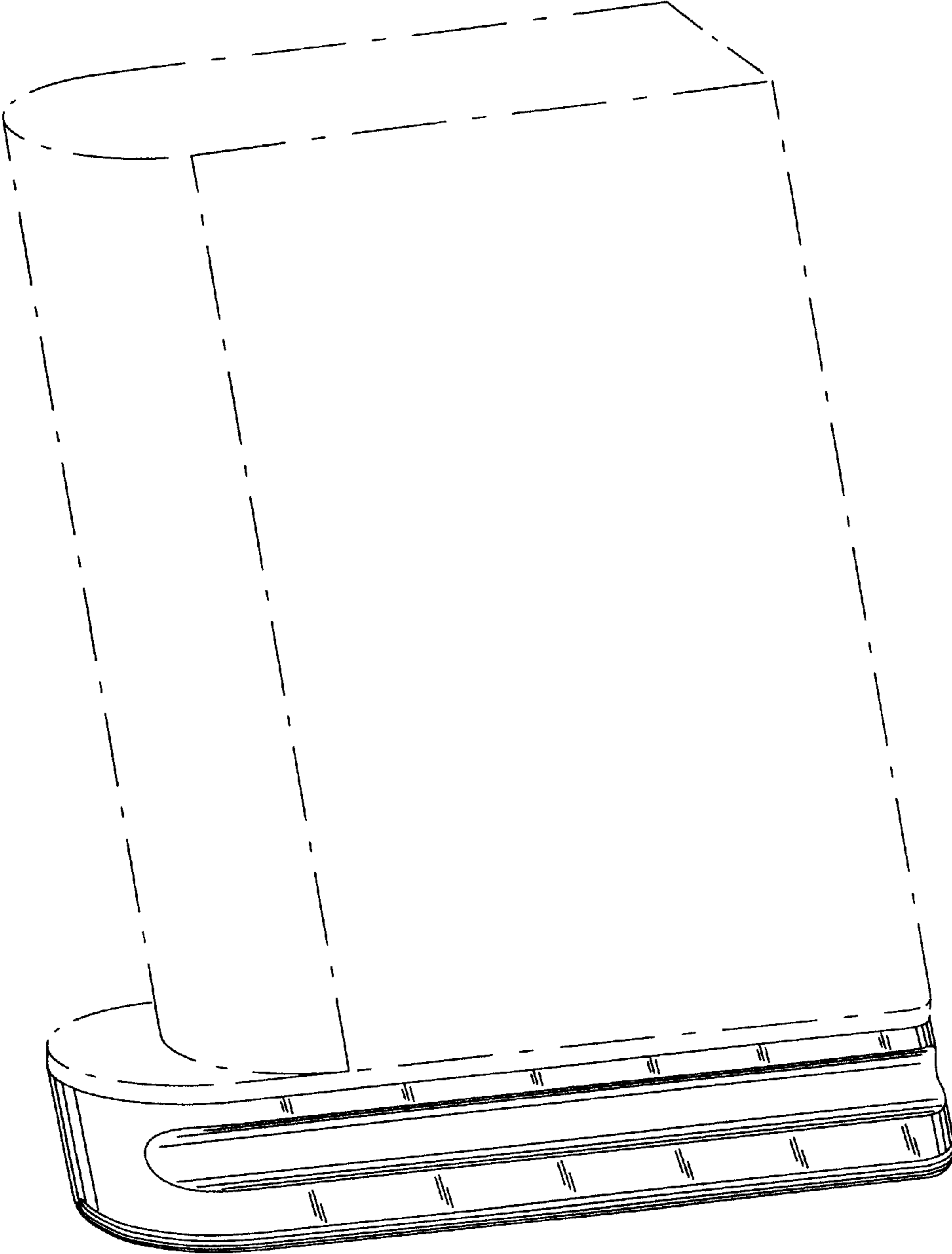


FIG. 2

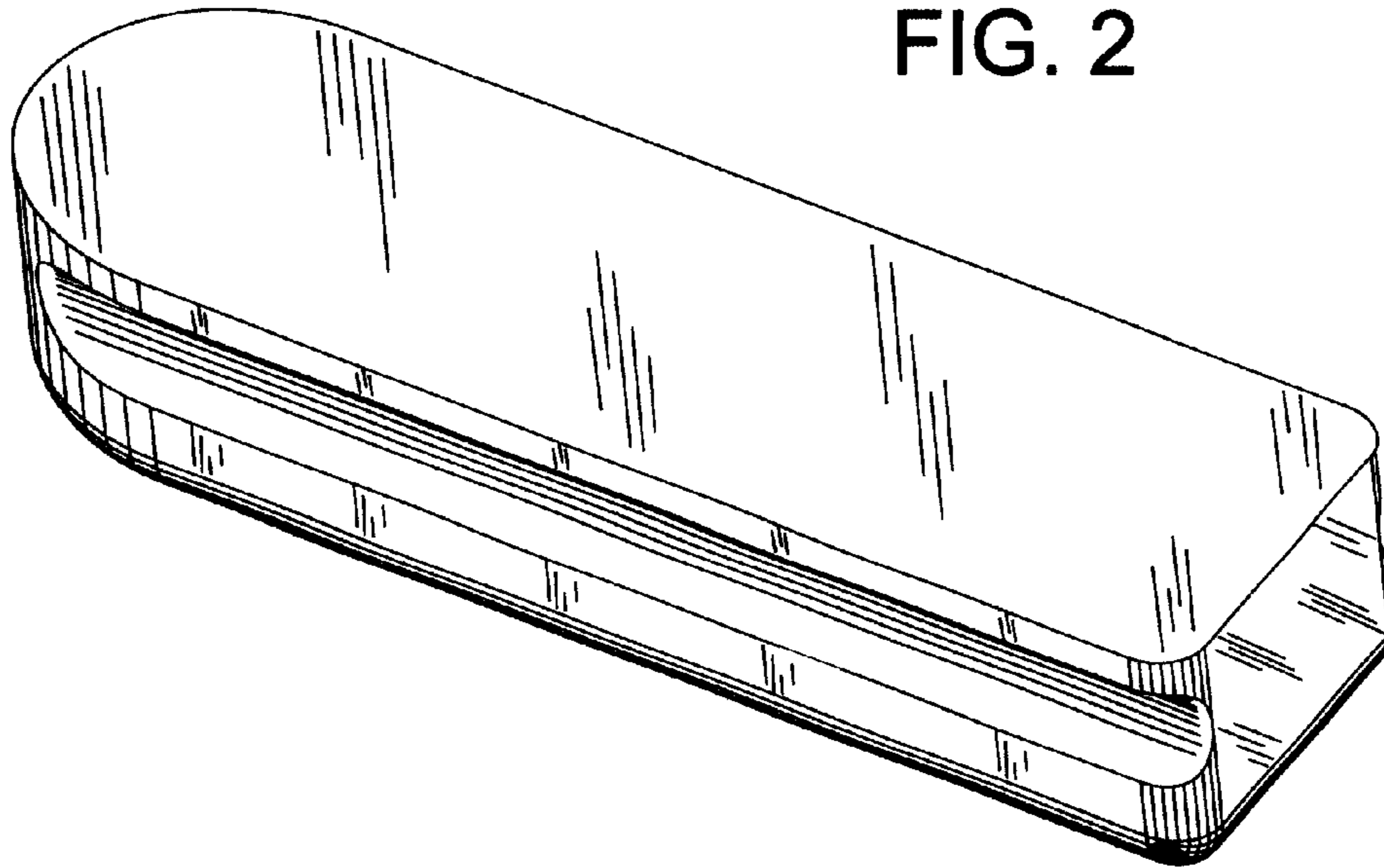


FIG. 3

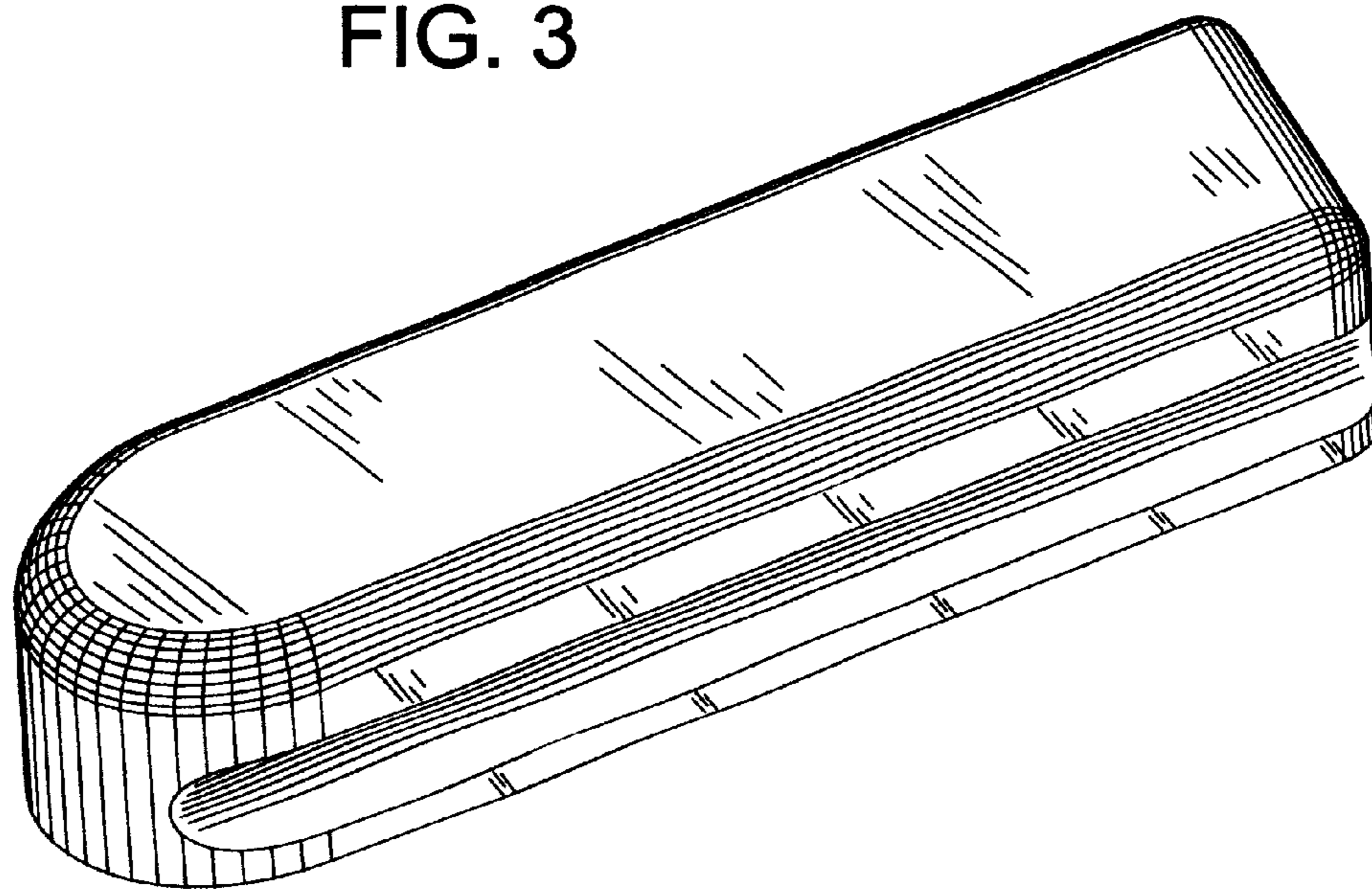


FIG. 4

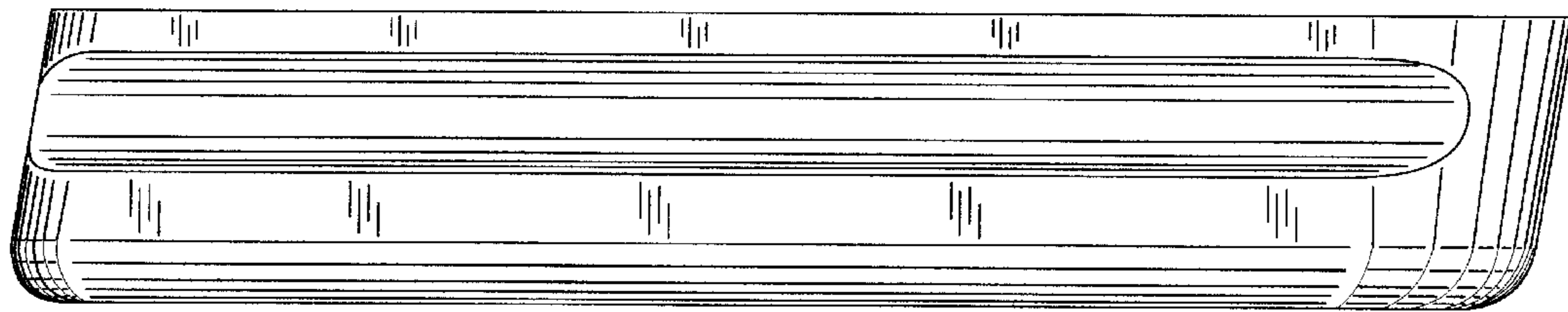


FIG. 5

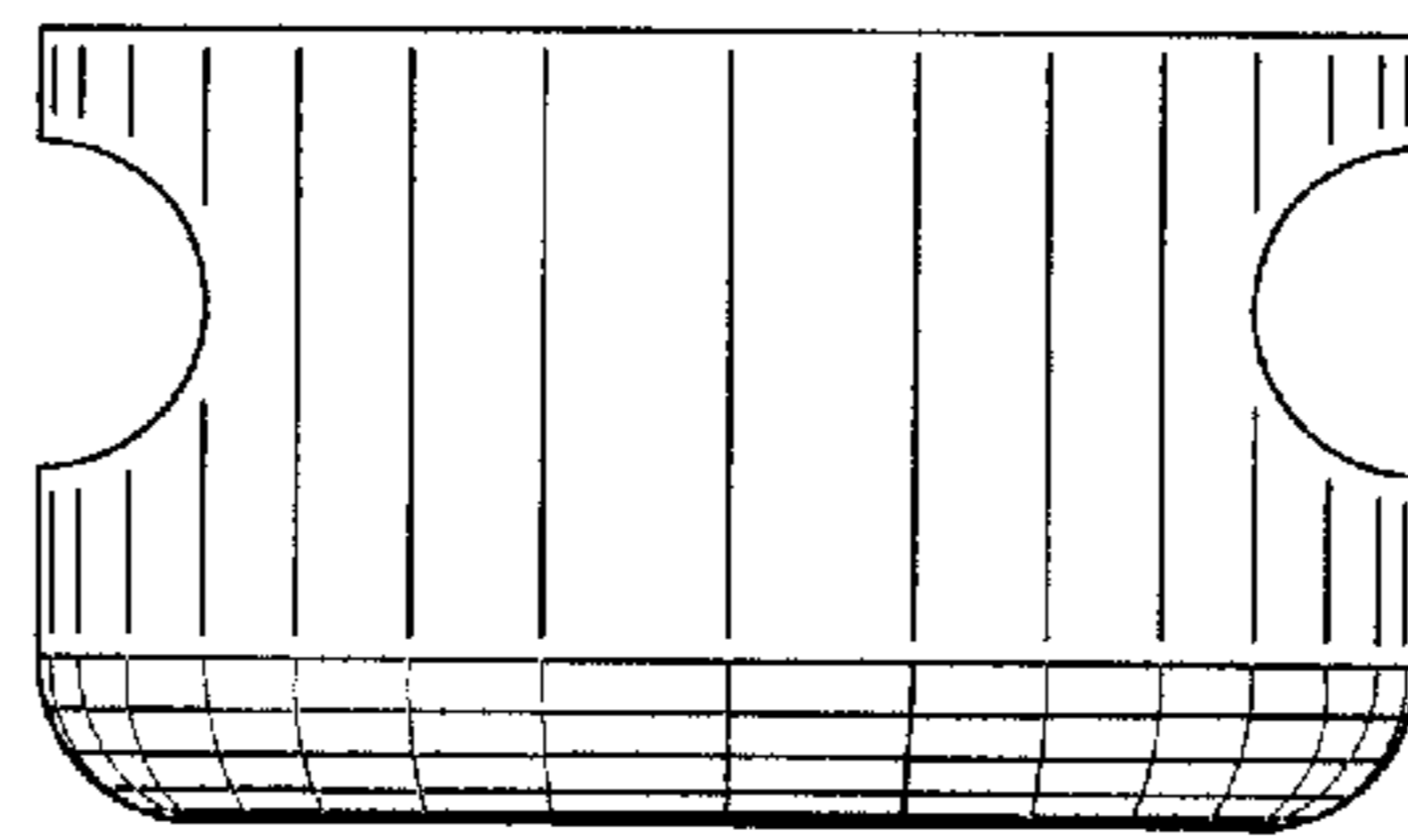


FIG. 6

