

US00D493859S1

(12) **United States Design Patent**
Lee

(10) **Patent No.: US D493,859 S**

(45) **Date of Patent: ** *Aug. 3, 2004**

(54) **DIVOT TOOL**

6,224,502 B1 * 5/2001 Warfield 473/408
6,234,916 B1 * 5/2001 Carusillo et al. 473/286

(76) **Inventor: Kevin K. Lee**, 1750 Stokes St., #34,
San Jose, CA (US) 95126

* cited by examiner

(*) **Notice:** This patent is subject to a terminal disclaimer.

Primary Examiner—Mitchell Siegel

(74) *Attorney, Agent, or Firm*—John J. Leavitt

(**) **Term: 14 Years**

(57) **CLAIM**

The ornamental design for a divot tool, as illustrated and described.

(21) **Appl. No.: 29/157,338**

(22) **Filed: Mar. 18, 2002**

DESCRIPTION

(51) **LOC (7) Cl.** **21-02**

FIG. 1 is a perspective view illustrating the divot tool of my invention;

(52) **U.S. Cl.** **D21/793**

FIG. 2 is a front elevational view thereof;

(58) **Field of Search** D21/789, 793;

FIG. 3 is a top plan view thereof;

473/156, 286, 408

FIG. 4 is a bottom plan view thereof;

FIG. 5 is a rear elevational view thereof;

FIG. 6 is a left end view thereof; and,

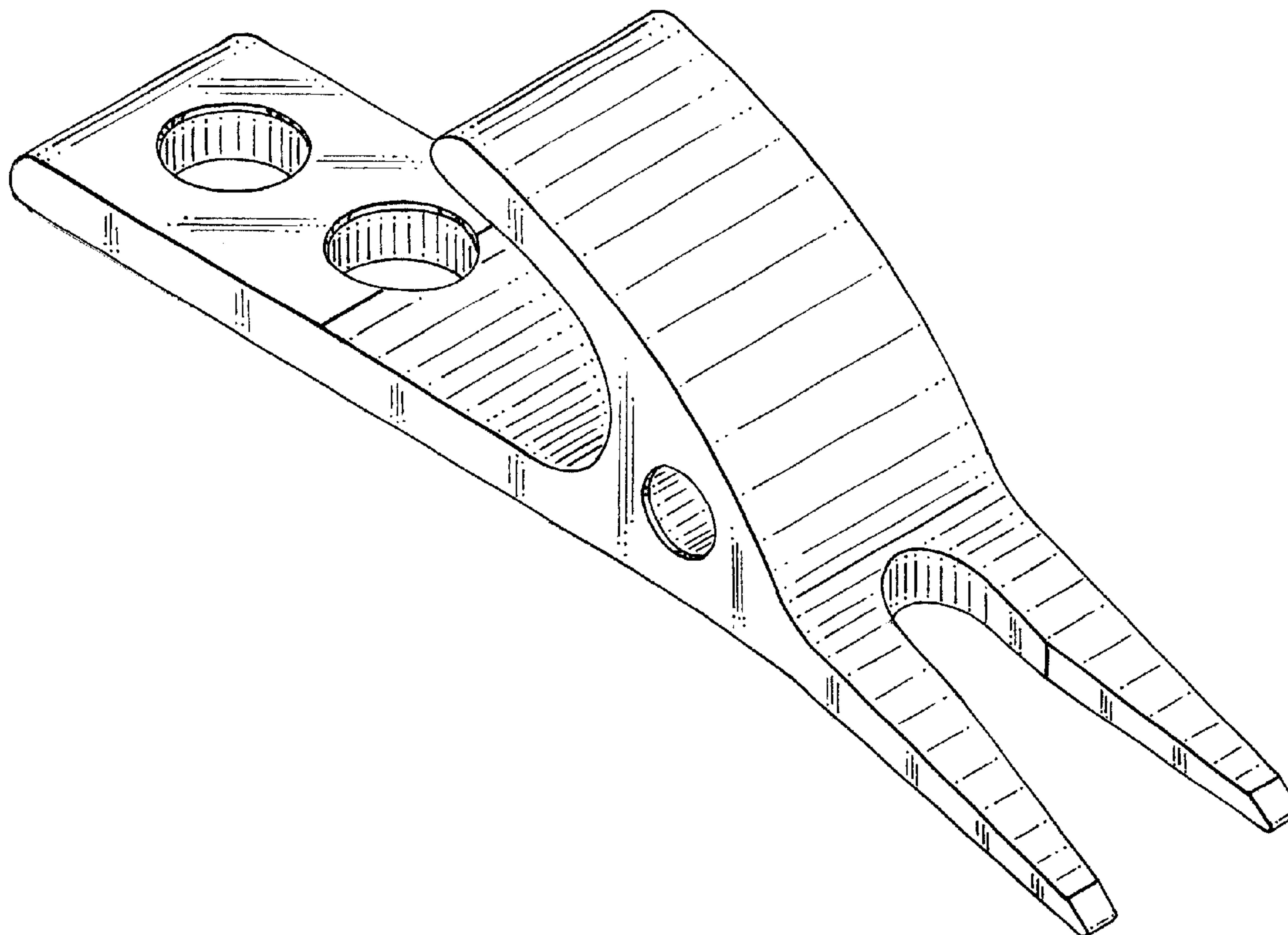
FIG. 7 is a right end view thereof.

(56) **References Cited**

U.S. PATENT DOCUMENTS

D373,401 S * 9/1996 Schempp D21/793
5,788,197 A * 8/1998 Tutela 248/156

1 Claim, 2 Drawing Sheets



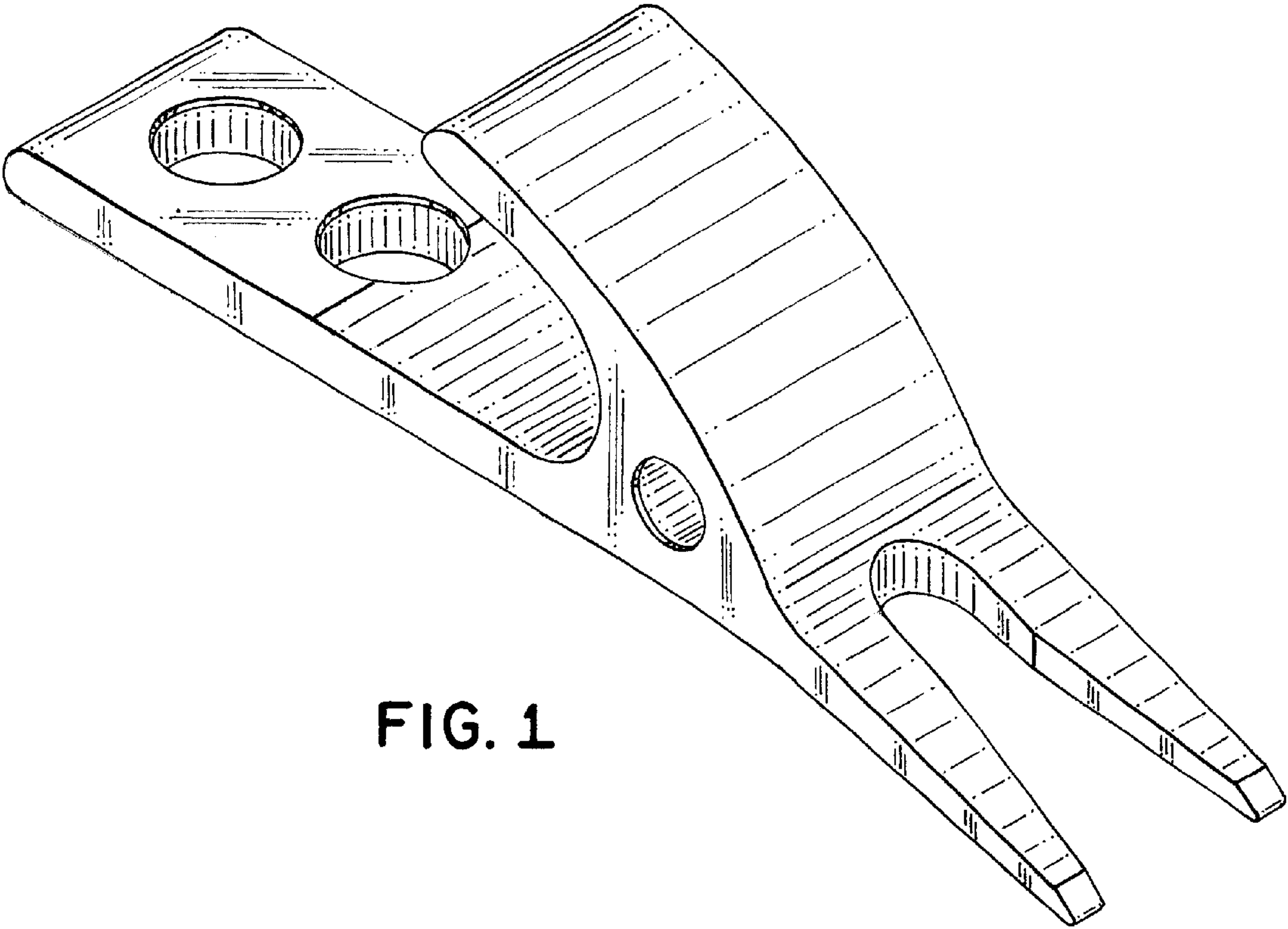


FIG. 1

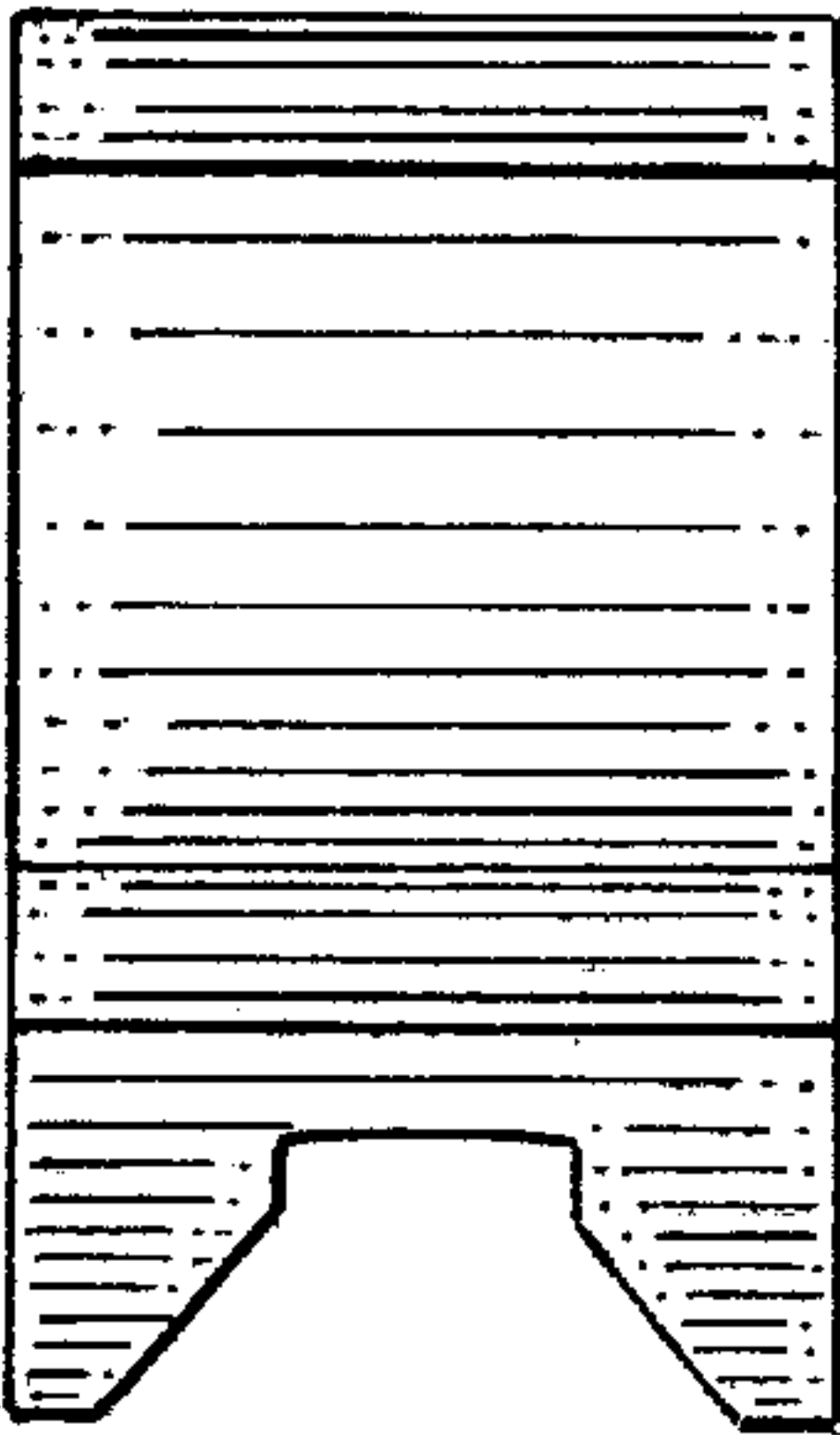


FIG. 6

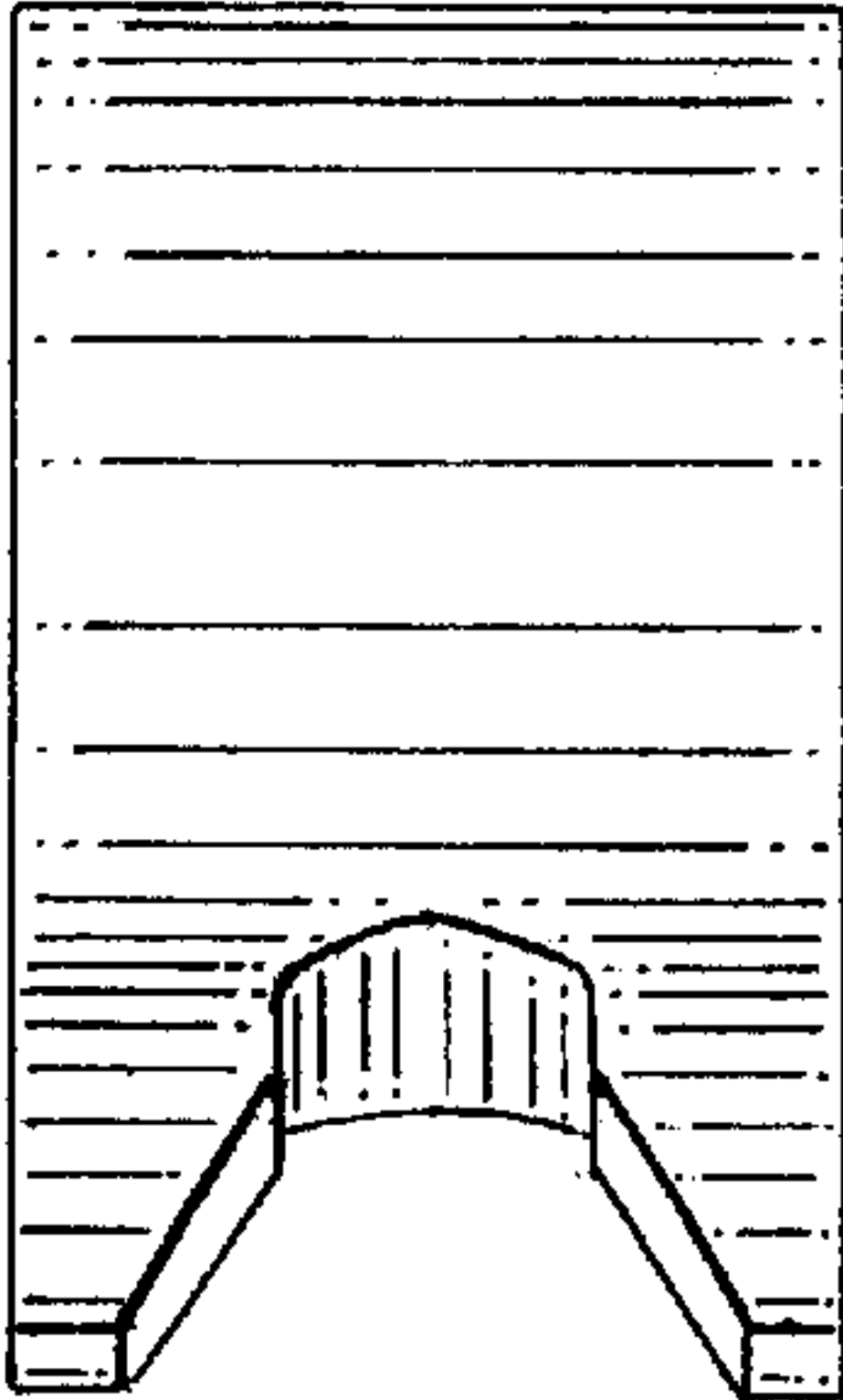


FIG. 7

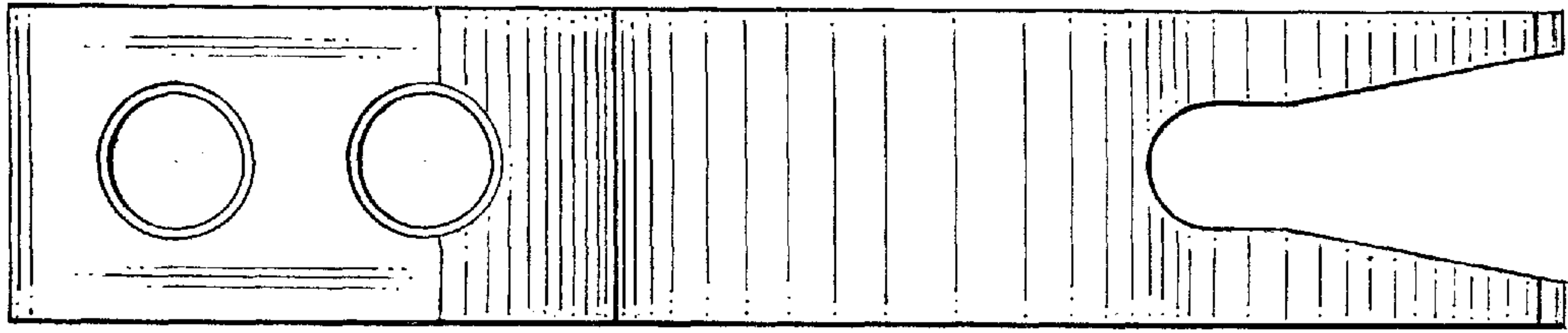


FIG. 3

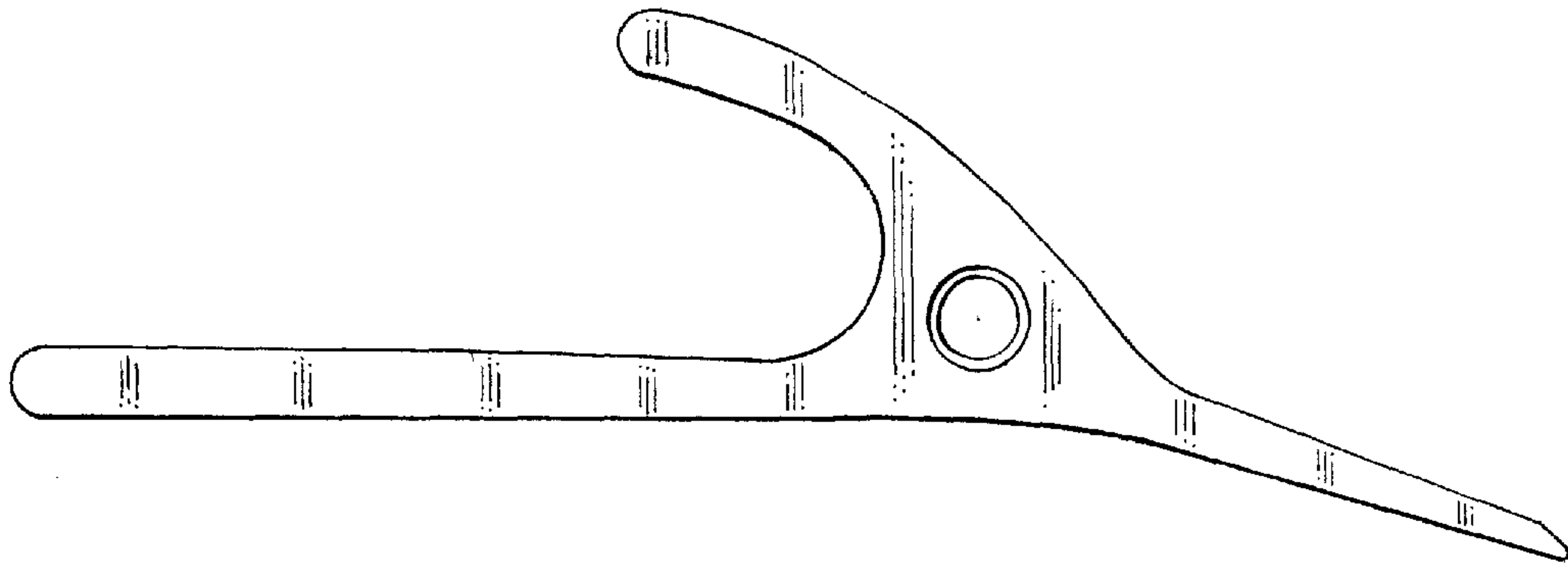


FIG. 2

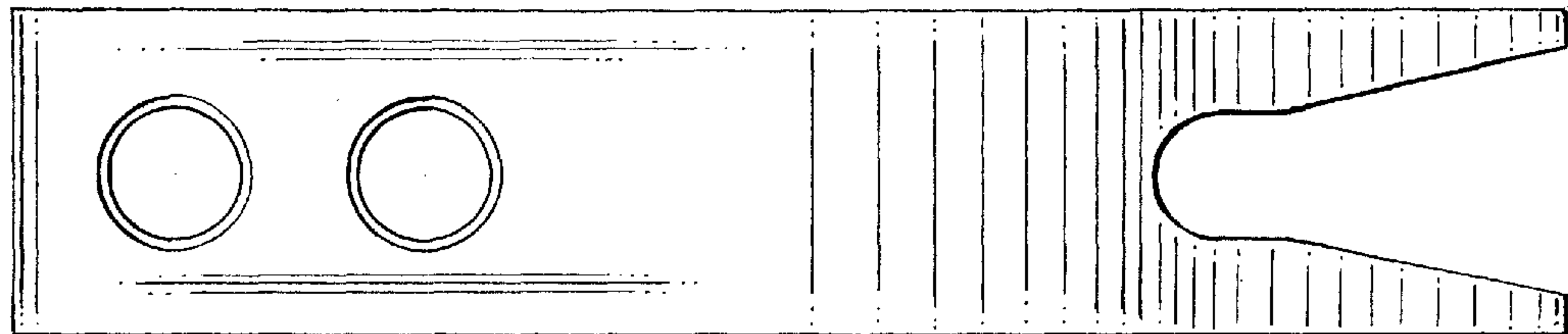


FIG. 4

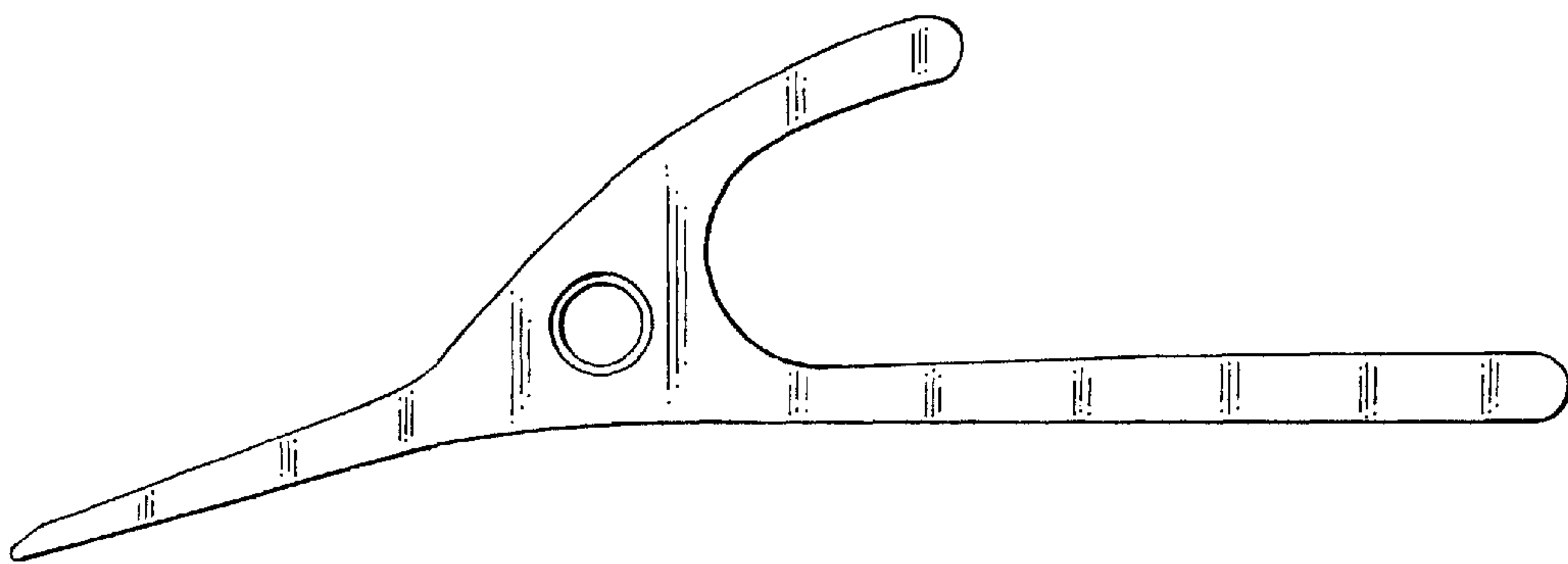


FIG. 5