

US00D493858S1

(12) **United States Design Patent**
Green et al.

(10) **Patent No.:** **US D493,858 S**

(45) **Date of Patent:** **** Aug. 3, 2004**

(54) **STRAP ON, SIZE ADJUSTABLE AND FULL SUSPENSION SKATE**

4,966,377 A * 10/1990 Yu 280/11.209
5,224,718 A * 7/1993 Gertler 280/11.19
D396,516 S * 7/1998 Fung D21/763

(75) Inventors: **Brian J. Green**, Denver, CO (US);
Stephen Ray Williams, Elizabeth, CO
(US); **Tony Chillemi**, Elizabeth, CO
(US)

* cited by examiner

Primary Examiner—Raphael Barkai
(74) *Attorney, Agent, or Firm*—Brian D. Smith, P.C.

(73) Assignee: **Strappers Skates, Inc.**, Denver, CO
(US)

(57) **CLAIM**

The ornamental design for our strap on, size adjustable and full suspension skate, as shown and described.

(**) Term: **14 Years**

DESCRIPTION

(21) Appl. No.: **29/188,920**

FIG. 1 is a perspective view of our design for a strap on, size adjustable and full suspension skate;
FIG. 2 is a front end elevation view of the strap on, size adjustable and full suspension skate of FIG. 1;
FIG. 3 is a rear end elevation view of the strap on, size adjustable and full suspension skate of FIG. 1;
FIG. 4 is a right side elevation view of the strap on, size adjustable and full suspension skate of FIG. 1.
FIG. 5 is a left side elevation view of the strap on, size adjustable and full suspension skate of FIG. 1;
FIG. 6 is a top plan view of the strap on, size adjustable and full suspension skate of FIG. 1; and,
FIG. 7 is a bottom plan view of the strap on, size adjustable and full suspension skate of FIG. 1.

(22) Filed: **Aug. 25, 2003**

(51) **LOC (7) Cl.** **21-02**

(52) **U.S. Cl.** **D21/763**

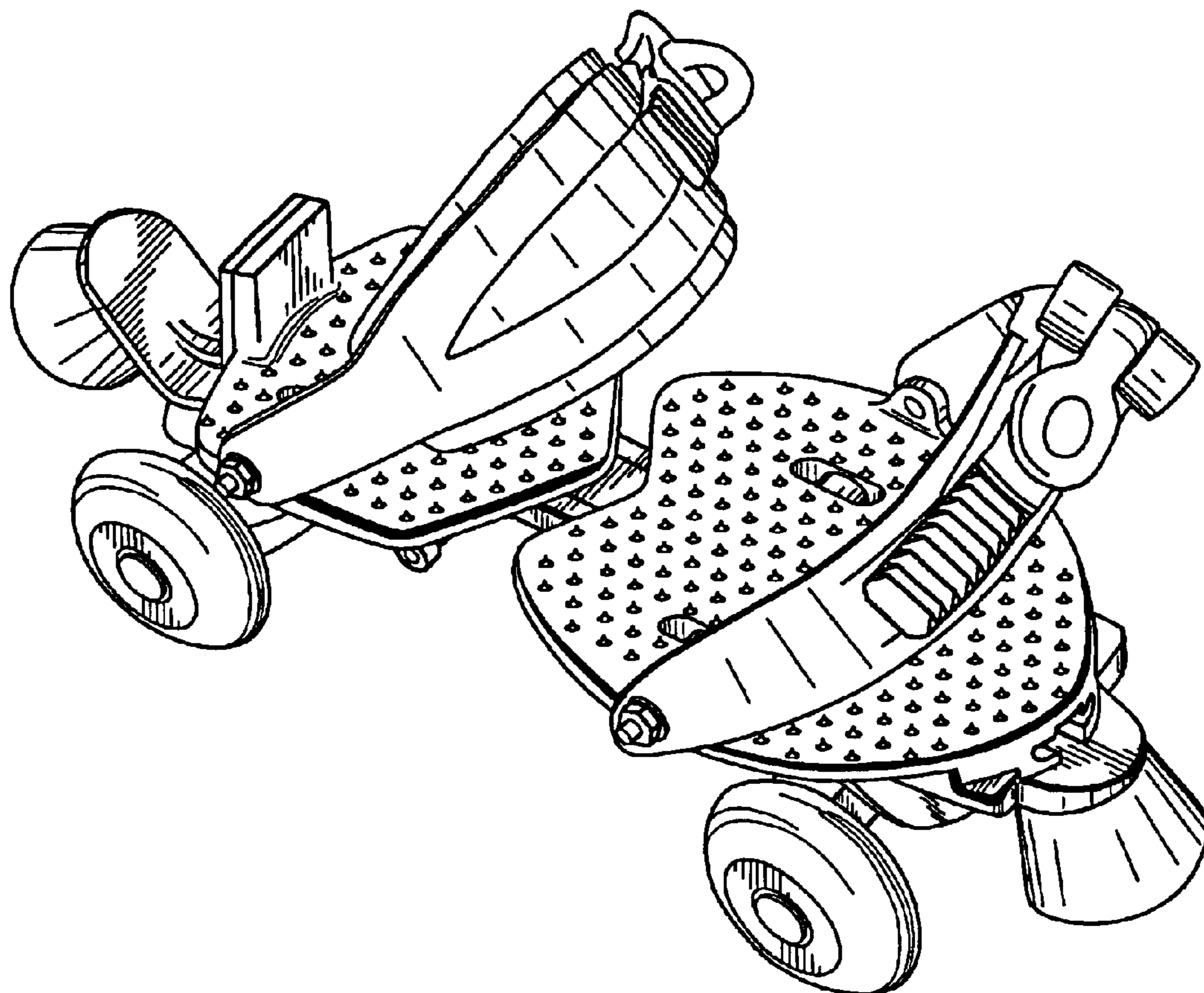
(58) **Field of Search** D21/760, 763-765,
D21/771; 280/11.19, 11.204-11.225, 11.26,
11.27, 11.28; 301/5.3, 5.7

(56) **References Cited**

U.S. PATENT DOCUMENTS

2,245,769 A * 6/1941 Flamm 280/11.26
3,693,988 A * 9/1972 Steinhiser 280/11.223
D240,952 S * 8/1976 Roche D21/763
4,767,127 A * 8/1988 Olivieri 280/11.33

1 Claim, 3 Drawing Sheets



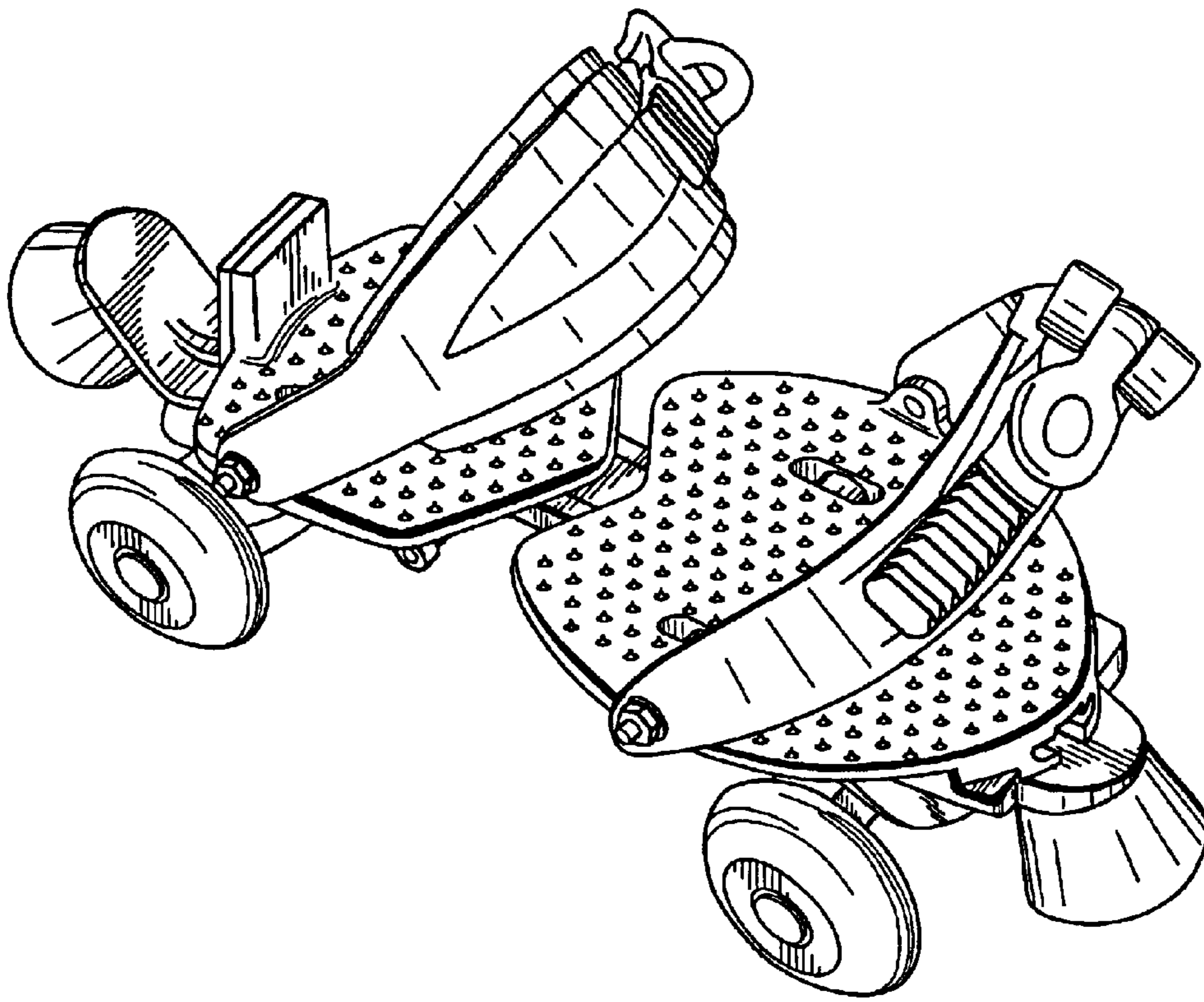


FIG. 1

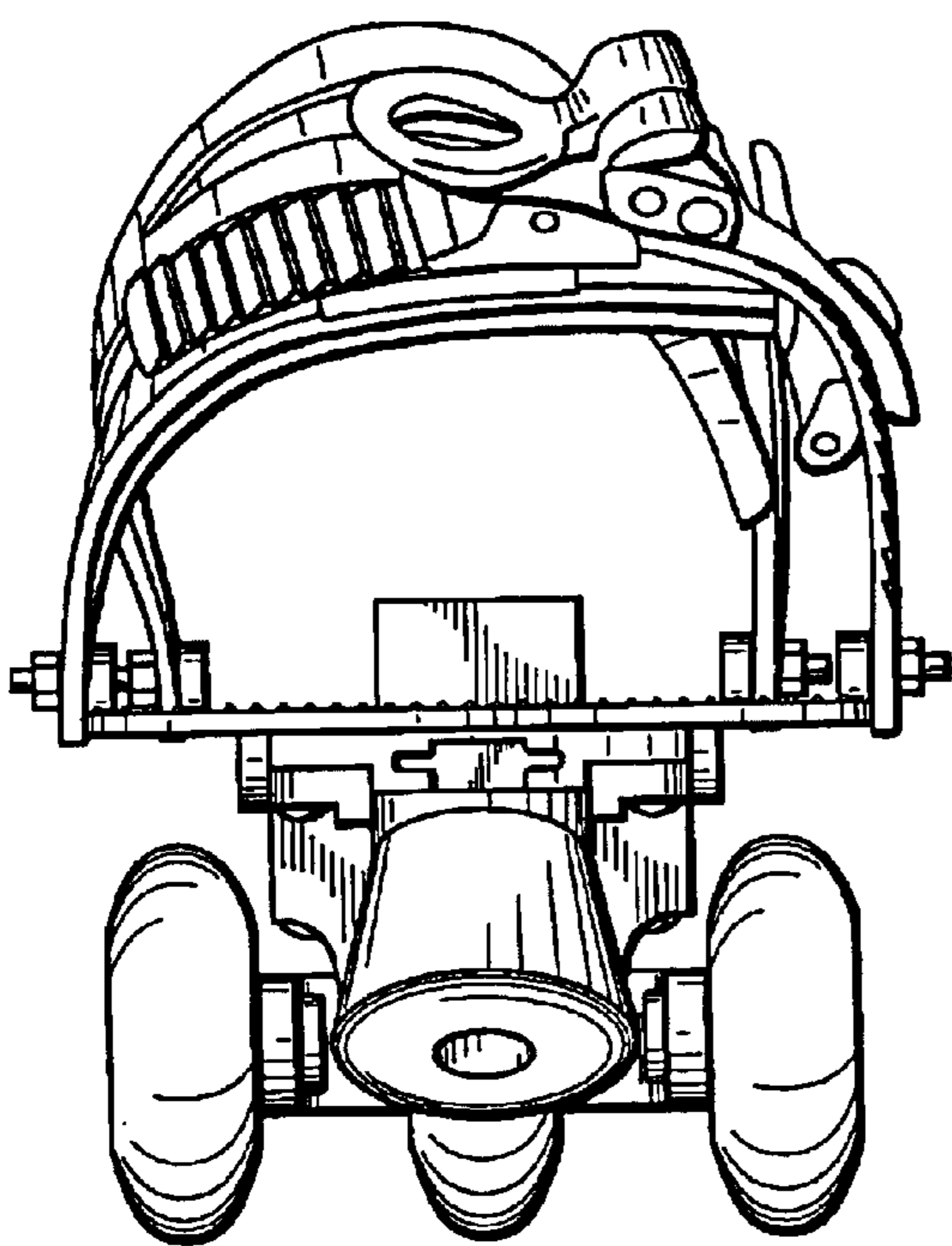


FIG. 2

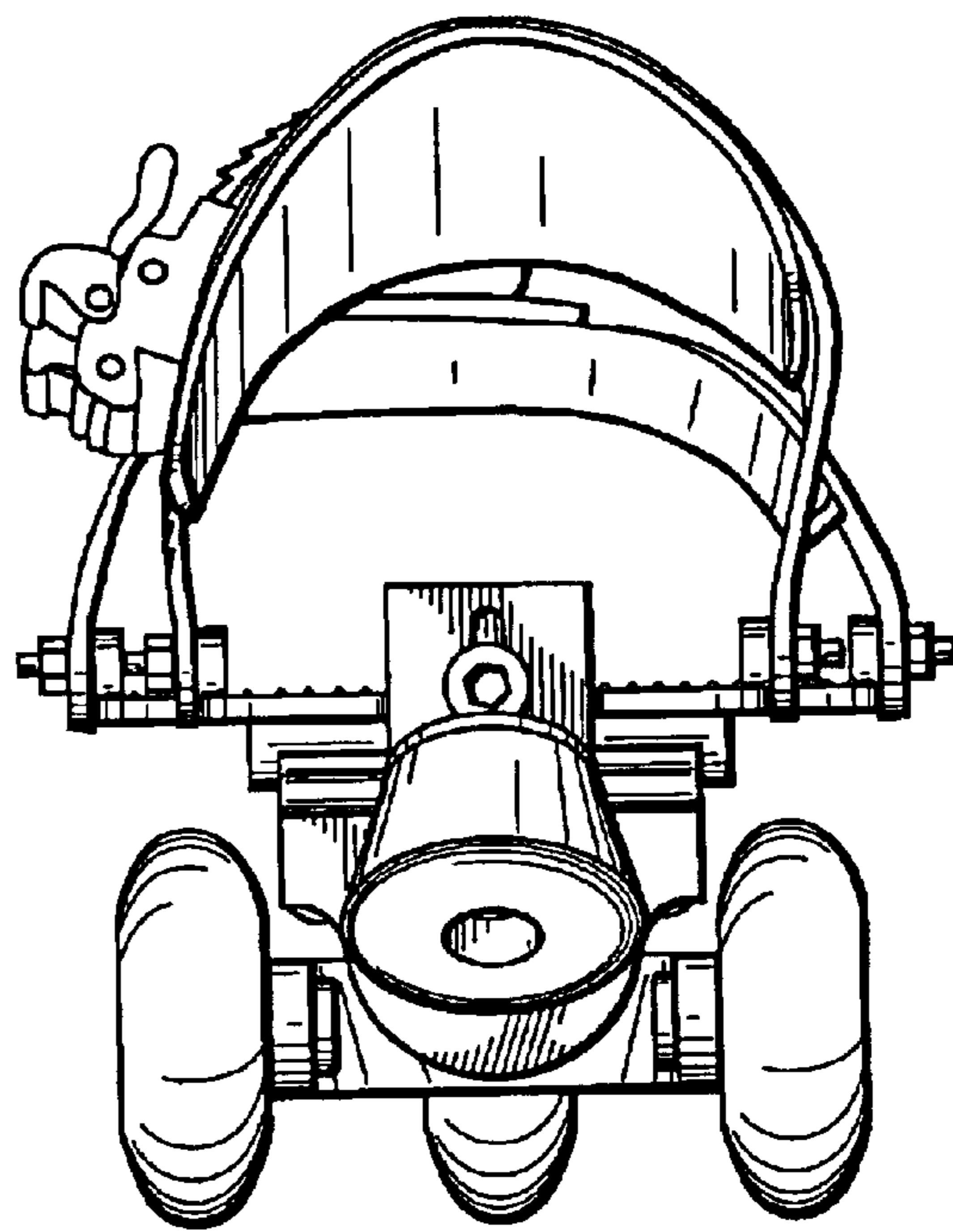


FIG. 3

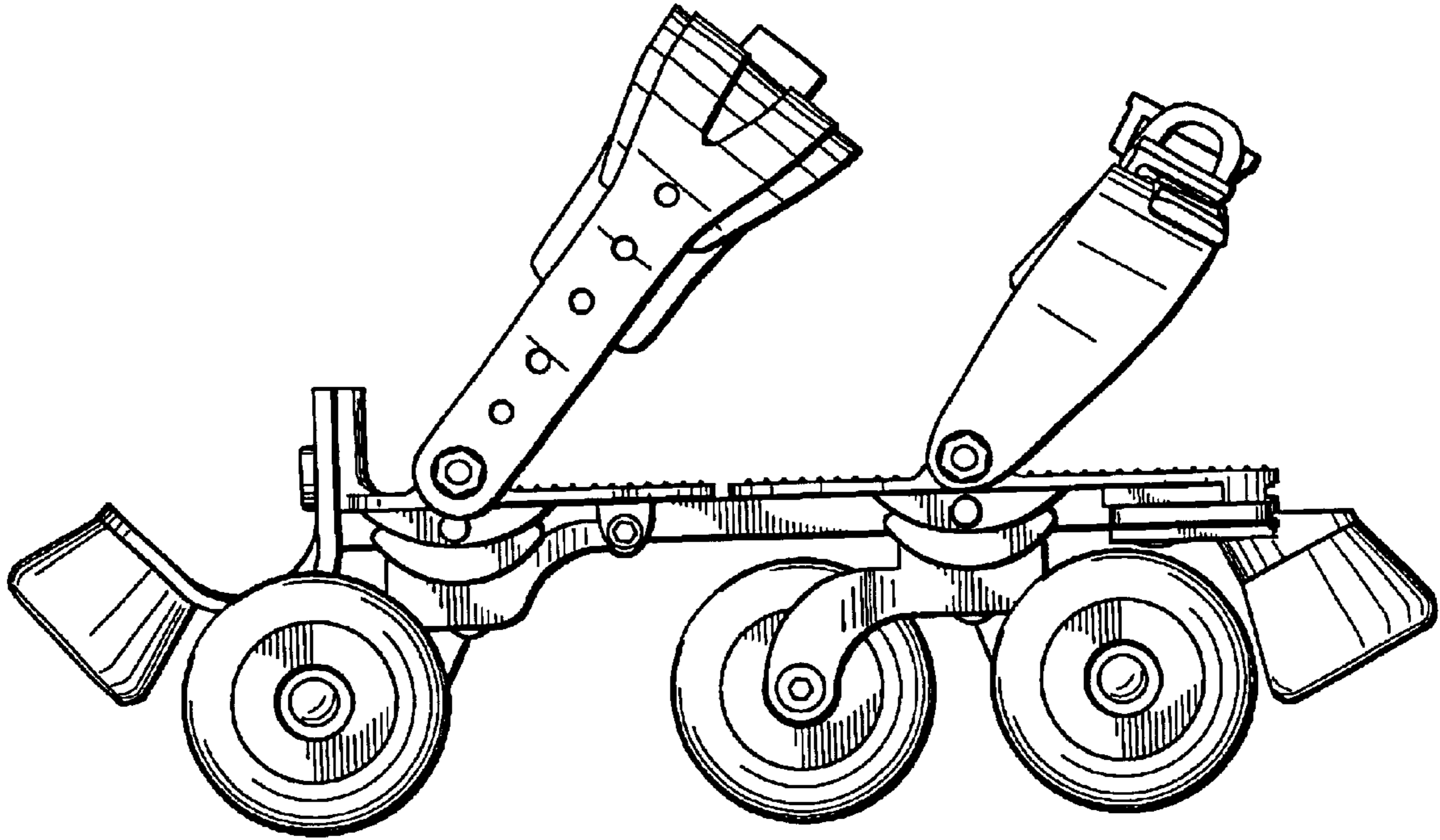


FIG. 4

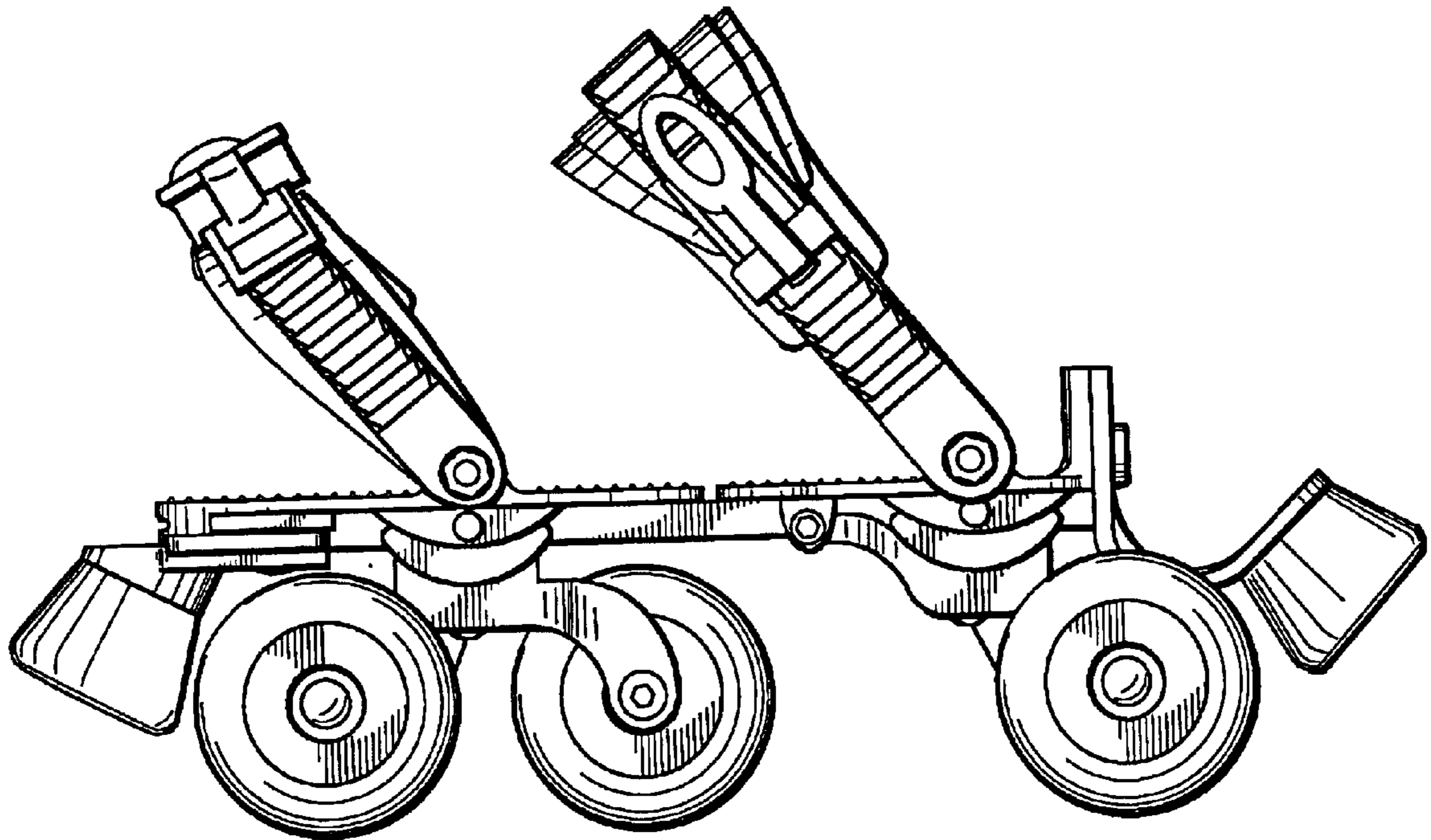


FIG. 5

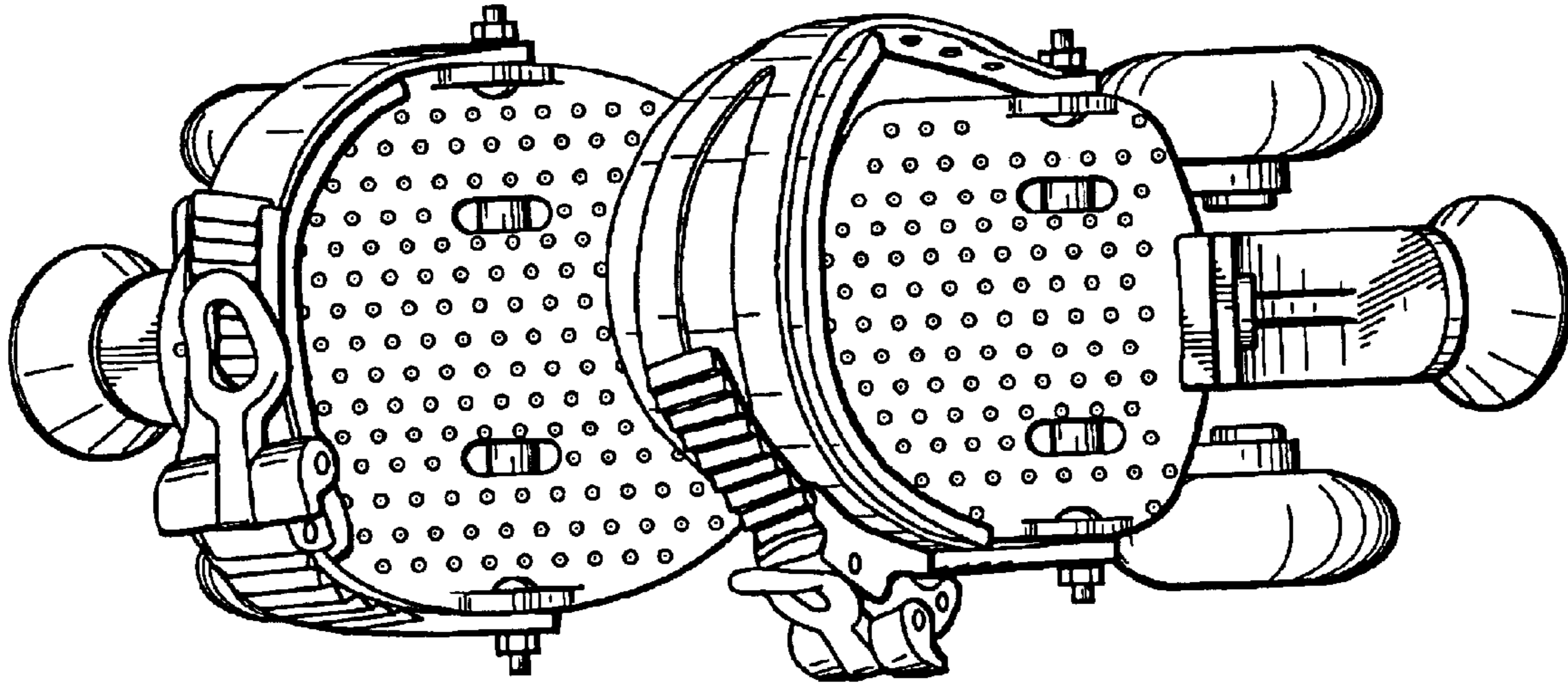


FIG. 6

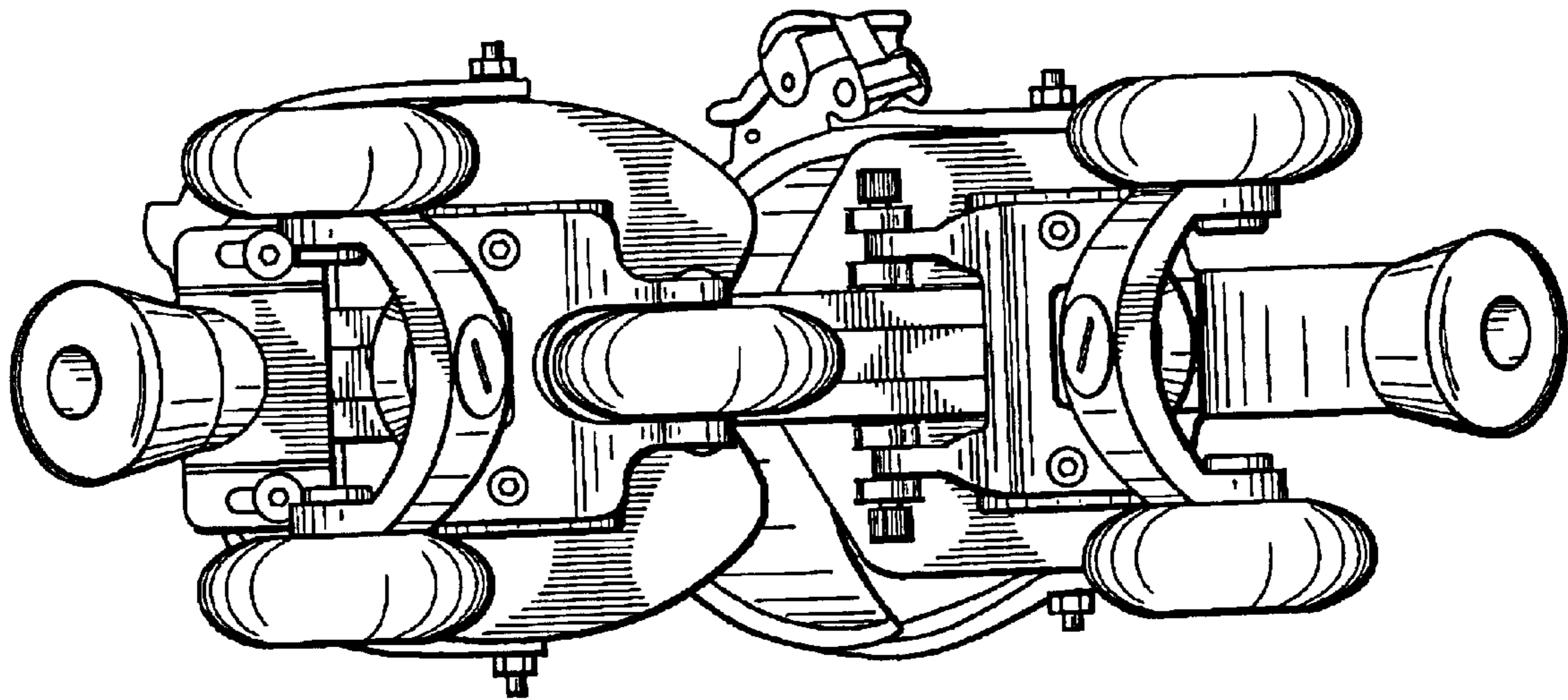


FIG. 7