



US00D493854S1

(12) **United States Design Patent** (10) **Patent No.:** **US D493,854 S**
Grider (45) **Date of Patent:** **** Aug. 3, 2004**

(54) **WEIGHT ENCLOSURE FOR AN EXERCISE MACHINE**

Primary Examiner—Philip S. Hyder
(74) *Attorney, Agent, or Firm*—Edward A. Sokolski

(76) **Inventor:** **Sherman Grider**, 1325 E. Franklin Ave., Pomona, CA (US) 91766

(57) **CLAIM**

The ornamental design for a weight enclosure for an exercise machine, as shown and described.

(**) **Term:** **14 Years**

DESCRIPTION

(21) **Appl. No.:** **29/183,164**

FIG. 1 is a perspective view of a weight enclosure for an exercise machine, showing my new design, wherein the broken line showing of the exerciser structure is for illustrative purposes only and forms no part of the claimed design;

(22) **Filed:** **Jun. 9, 2003**

(51) **LOC (7) Cl.** **21-02**

(52) **U.S. Cl.** **D21/694; D21/675**

(58) **Field of Search** D21/662, 674, D21/675, 676, 694; 482/93, 94, 98, 135, 138, 99, 133

FIG. 2 is a front elevational view of the weight enclosure for an exercise machine shown in FIG. 1;

FIG. 3 is a side elevational view of the weight enclosure for an exercise machine shown in FIG. 1.

(56) **References Cited**

U.S. PATENT DOCUMENTS

D320,248 S *	9/1991	Moore et al.	D21/675
D367,900 S *	3/1996	Hu	D21/676
D428,949 S *	8/2000	Simonson	D21/694
D440,611 S *	4/2001	Batca et al.	D21/676
D457,580 S *	5/2002	Webber	D21/675
6,579,212 B2 *	6/2003	Panatta	482/93

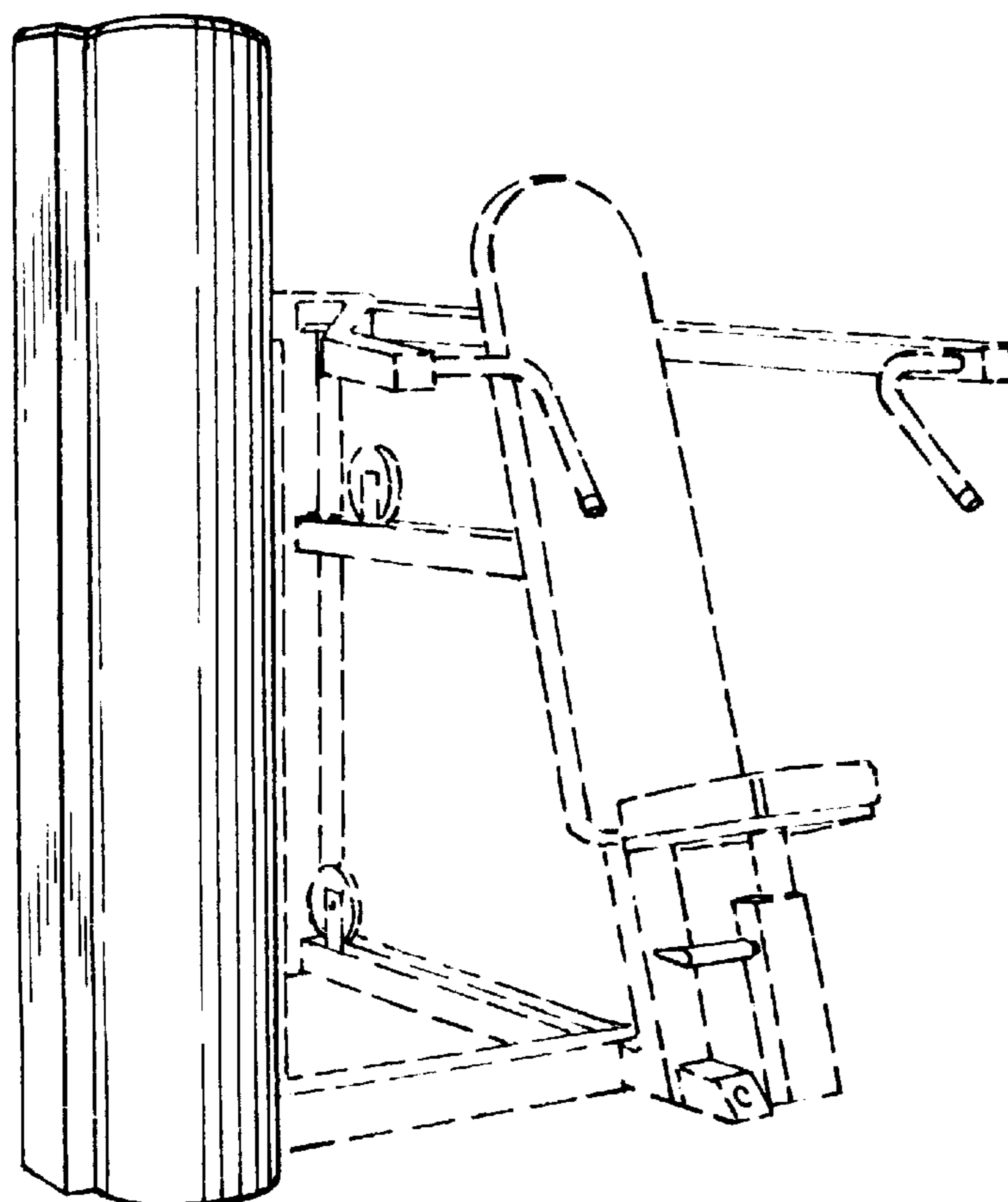
FIG. 4 is a rear elevational view of the weight enclosure for an exercise machine shown in FIG. 1;

FIG. 5 is a top plan view of the weight enclosure for an exercise machine shown in FIG. 1; and,

FIG. 6 is a bottom plan view of the weight enclosure for an exercise shown in FIG. 1.

* cited by examiner

1 Claim, 1 Drawing Sheet



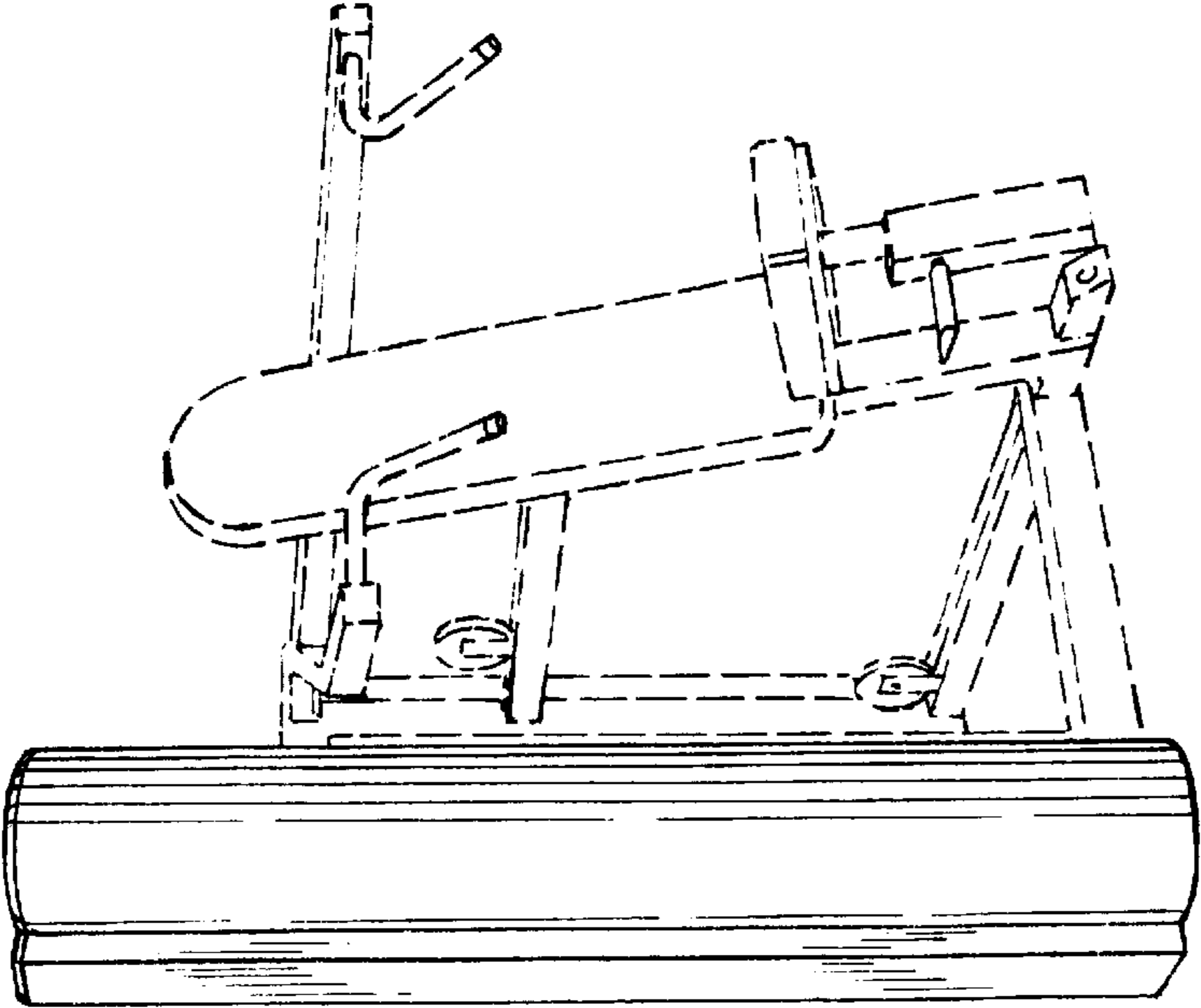


FIG. 1

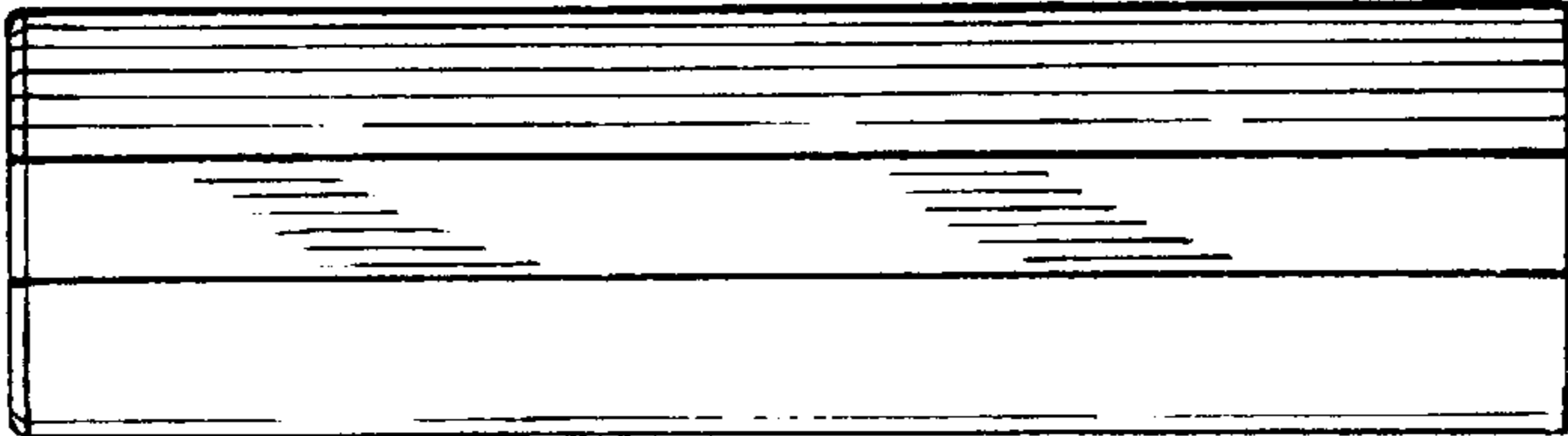


FIG. 2

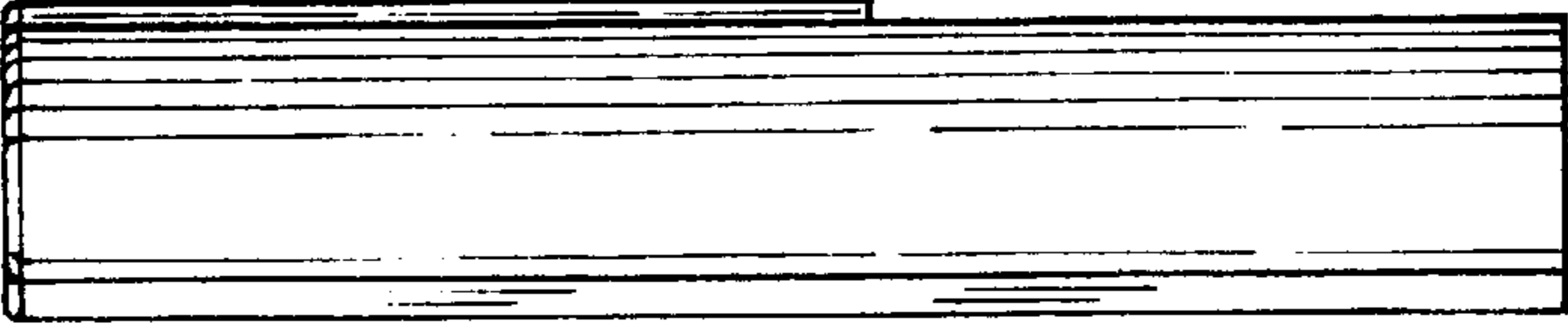


FIG. 3

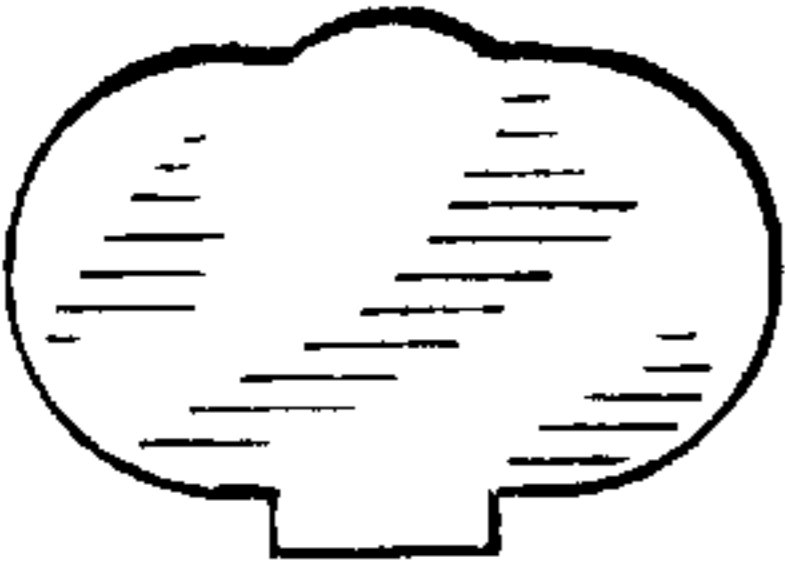


FIG. 5

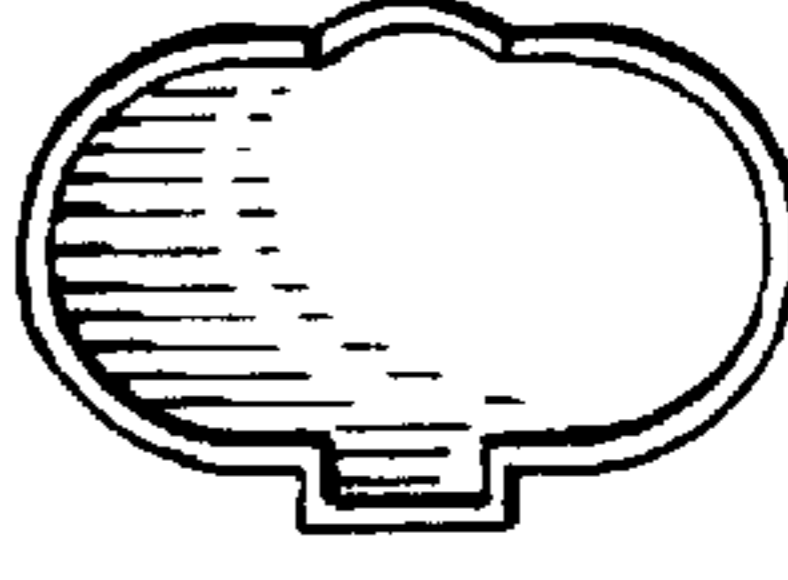


FIG. 6

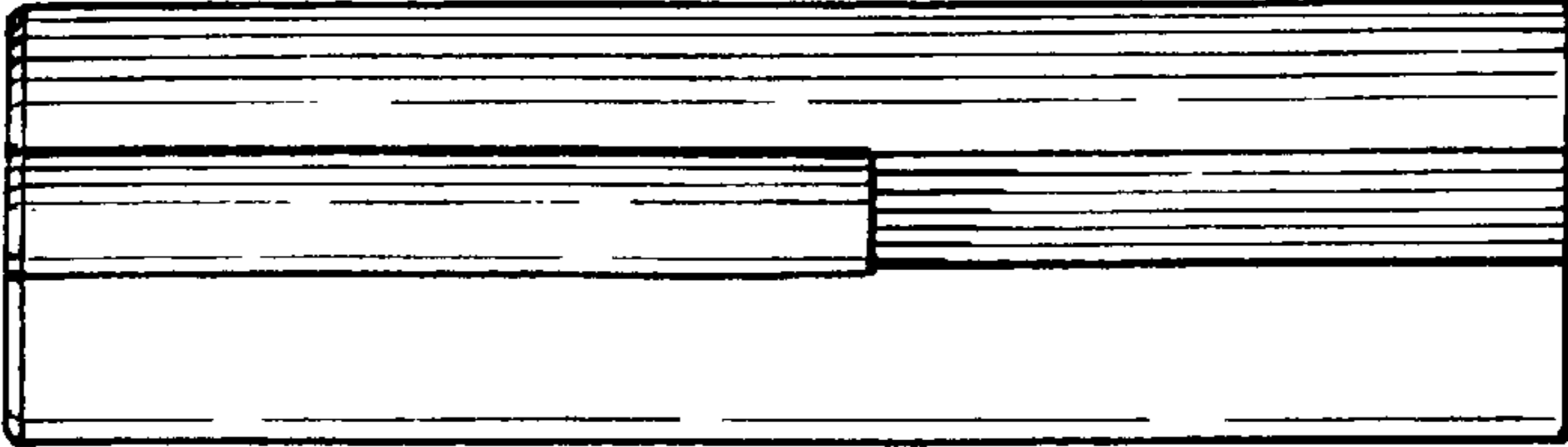


FIG. 4