

US00D493853S1

(12) **United States Design Patent**  
**Campanaro et al.**

(10) **Patent No.: US D493,853 S**

(45) **Date of Patent: \*\* Aug. 3, 2004**

(54) **EXERCISE APPARATUS**

5,938,571 A \* 8/1999 Stevens ..... 482/96  
5,967,955 A 10/1999 Westfall et al. .... 482/142

(75) Inventors: **Thomas J. Campanaro**, Rancho Santa Fe, CA (US); **Larry Westfall**, San Diego, CA (US); **Dale D. McMurray**, San Diego, CA (US)

\* cited by examiner

*Primary Examiner*—Philip S. Hyder  
(74) *Attorney, Agent, or Firm*—Procopio Cory Hargreaves & Savitch; Stephen C. Beuerle

(73) Assignee: **Engineering Fitness International Corp.**, San Diego, CA (US)

(57) **CLAIM**

(\*\*) Term: **14 Years**

The ornamental design for an exercise apparatus, as shown and described.

(21) Appl. No.: **29/176,859**

**DESCRIPTION**

(22) Filed: **Feb. 26, 2003**

(51) **LOC (7) Cl.** ..... **21-02**

(52) **U.S. Cl.** ..... **D21/676**

(58) **Field of Search** ..... D21/673, 674,  
D21/675, 676, 690, 662; 482/95, 96, 97,  
98, 132, 133, 130, 142

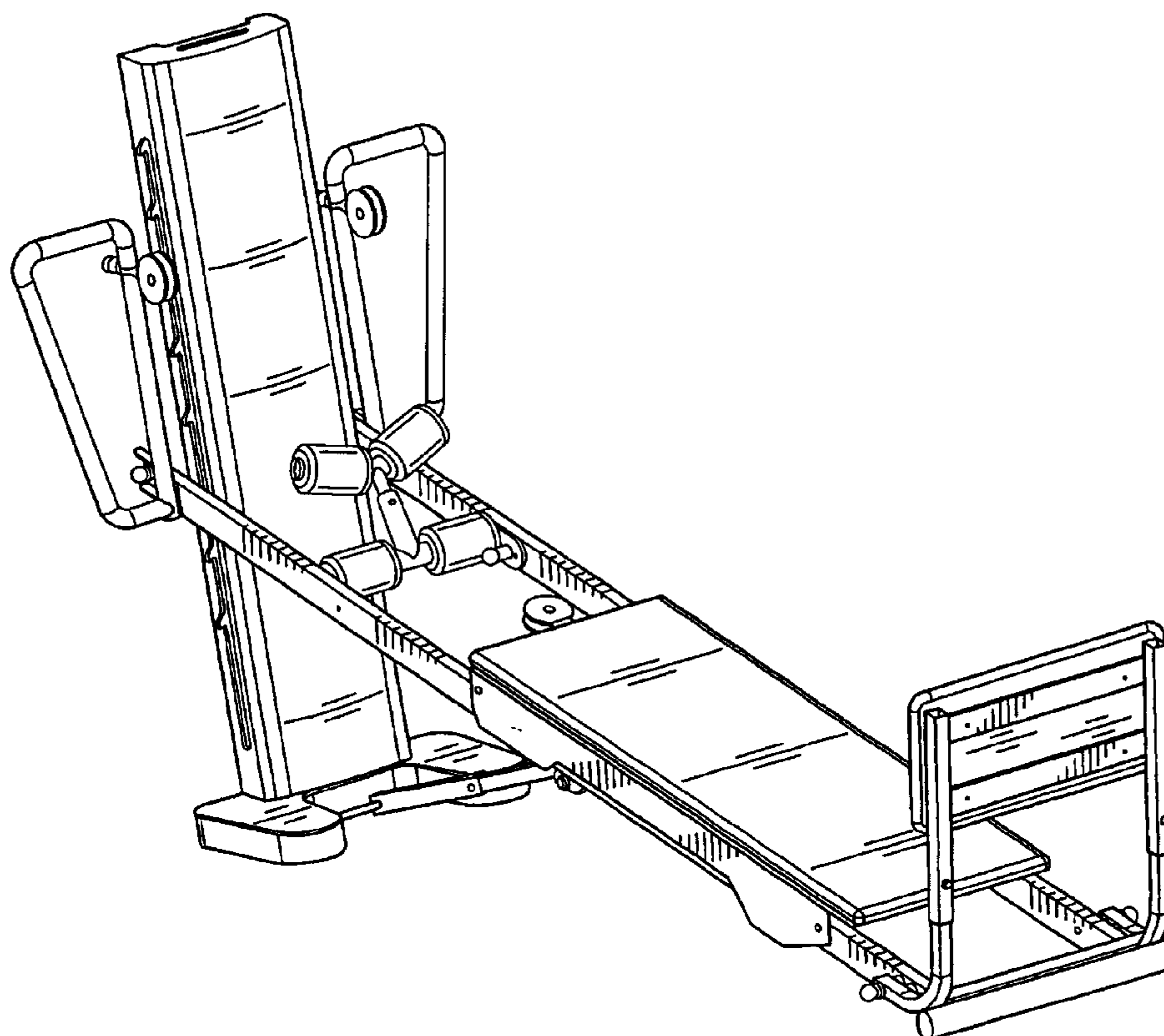
FIG. 1 is a perspective view of the exercise apparatus, in an open position;  
FIG. 2 is a left side elevational view thereof with the right side elevational view being a mirror image thereof;  
FIG. 3 is a top plan view thereof;  
FIG. 4 is a bottom plan view thereof;  
FIG. 5 is a rear elevational view thereof;  
FIG. 6 is a front elevational view thereof;  
FIG. 7 is a right side elevational view thereof, in a partially closed position;  
FIG. 8 is a rear perspective view thereof, in a fully closed position; and,  
FIG. 9 is a perspective view of the exercise apparatus, in an open position, with a pair of combination pulley-support and pull-up bars shown in a horizontal orientation.

(56) **References Cited**

**U.S. PATENT DOCUMENTS**

3,658,327 A	*	4/1972	Thiede	.....	482/96
4,004,801 A		1/1977	Campanaro et al.	.....	272/120
4,101,124 A	*	7/1978	Mahnke	.....	482/96
4,383,684 A	*	5/1983	Schliep	.....	482/96
4,706,953 A	*	11/1987	Graham	.....	482/96
4,911,438 A	*	3/1990	Van Straaten	.....	482/96
5,169,363 A		12/1992	Campanaro et al.	.....	482/96
D405,132 S		2/1999	Westfall et al.	.....	D21/676

**1 Claim, 6 Drawing Sheets**



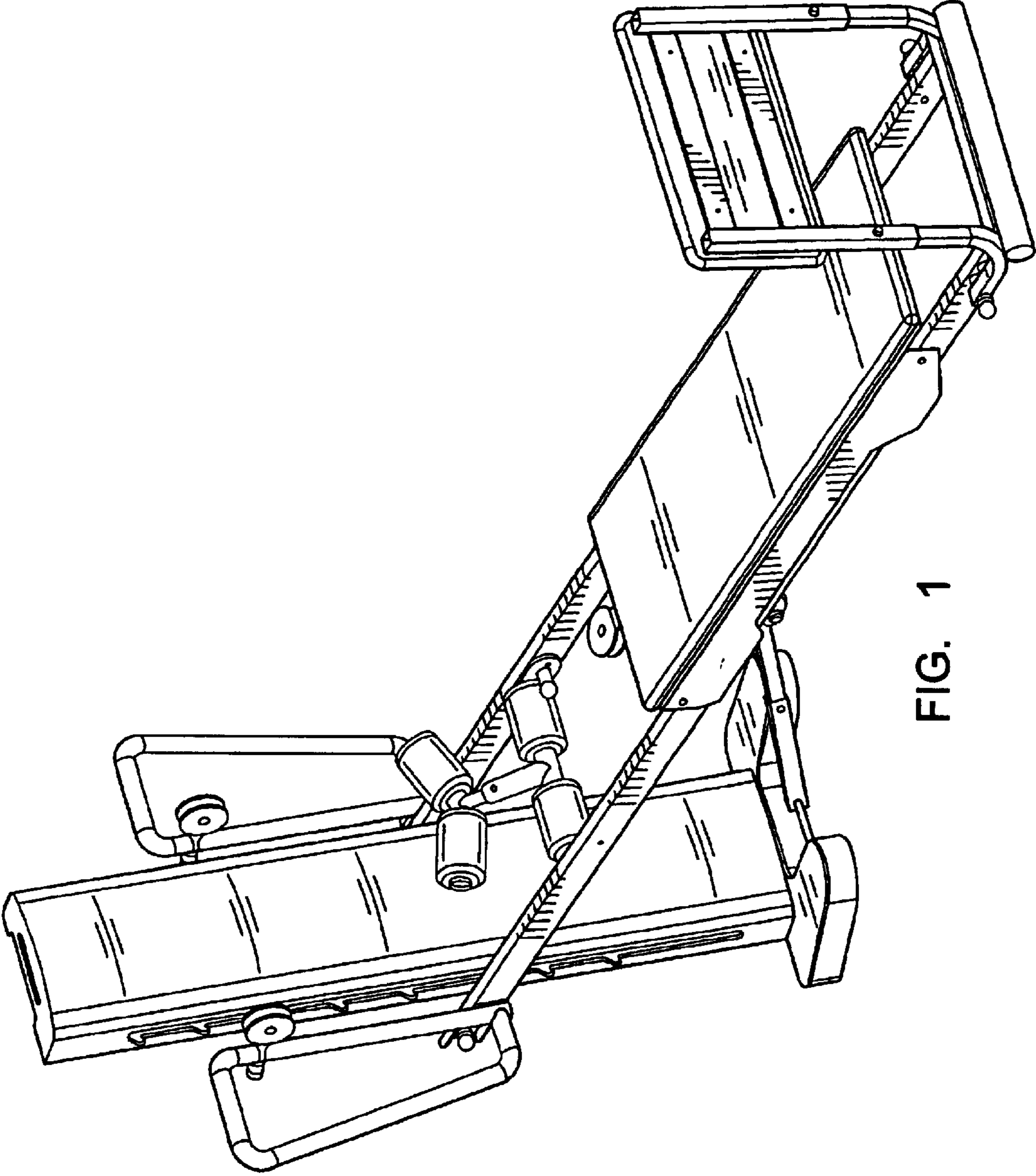


FIG. 1

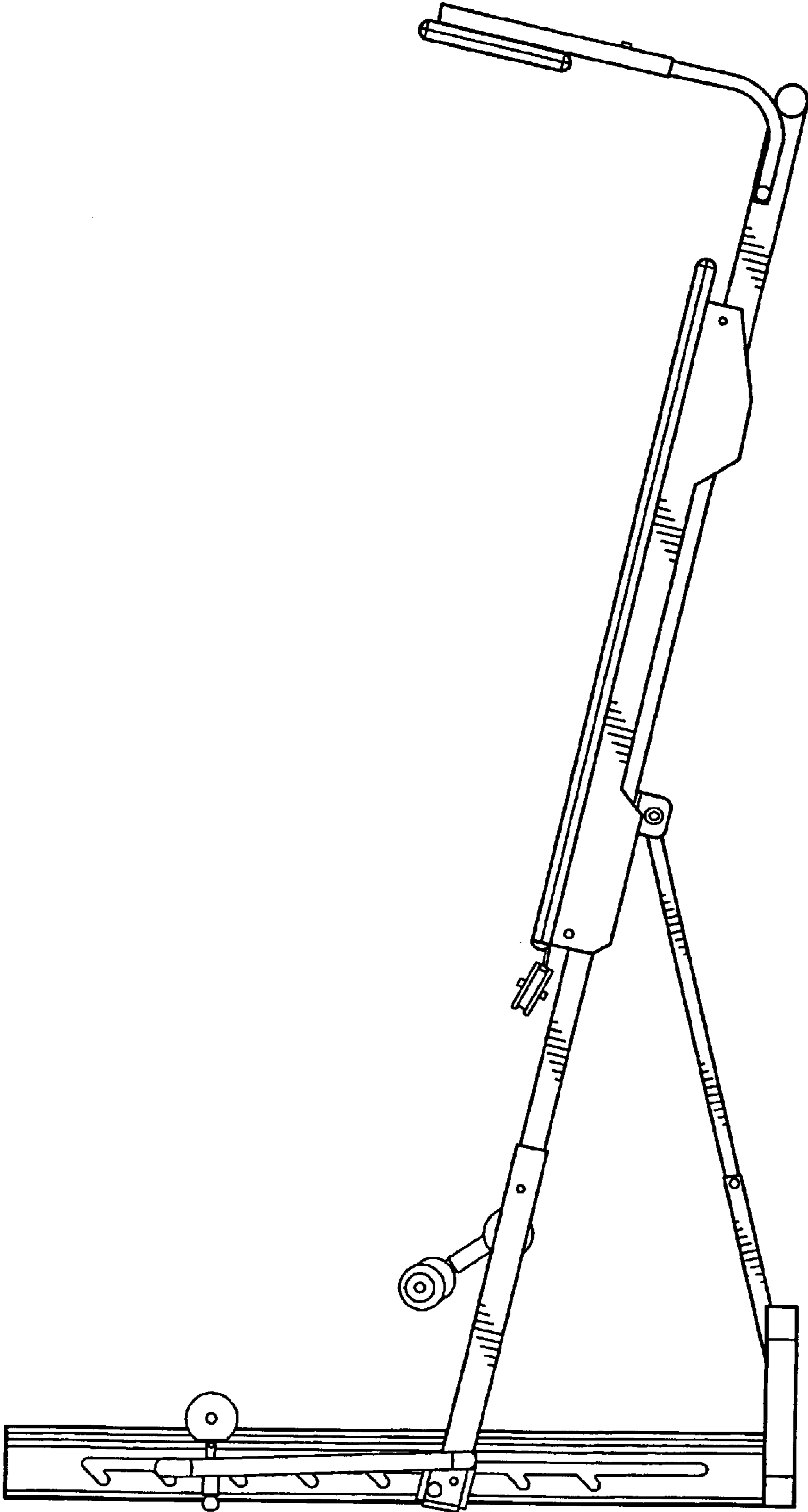


FIG. 2

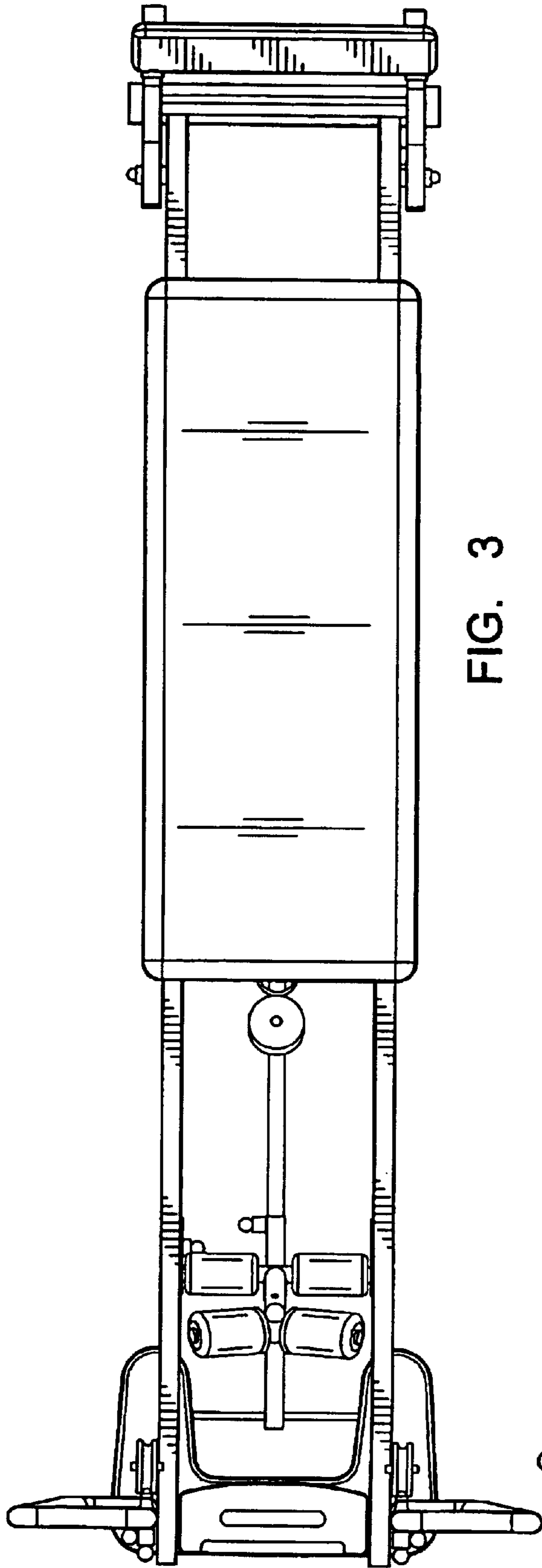


FIG. 3

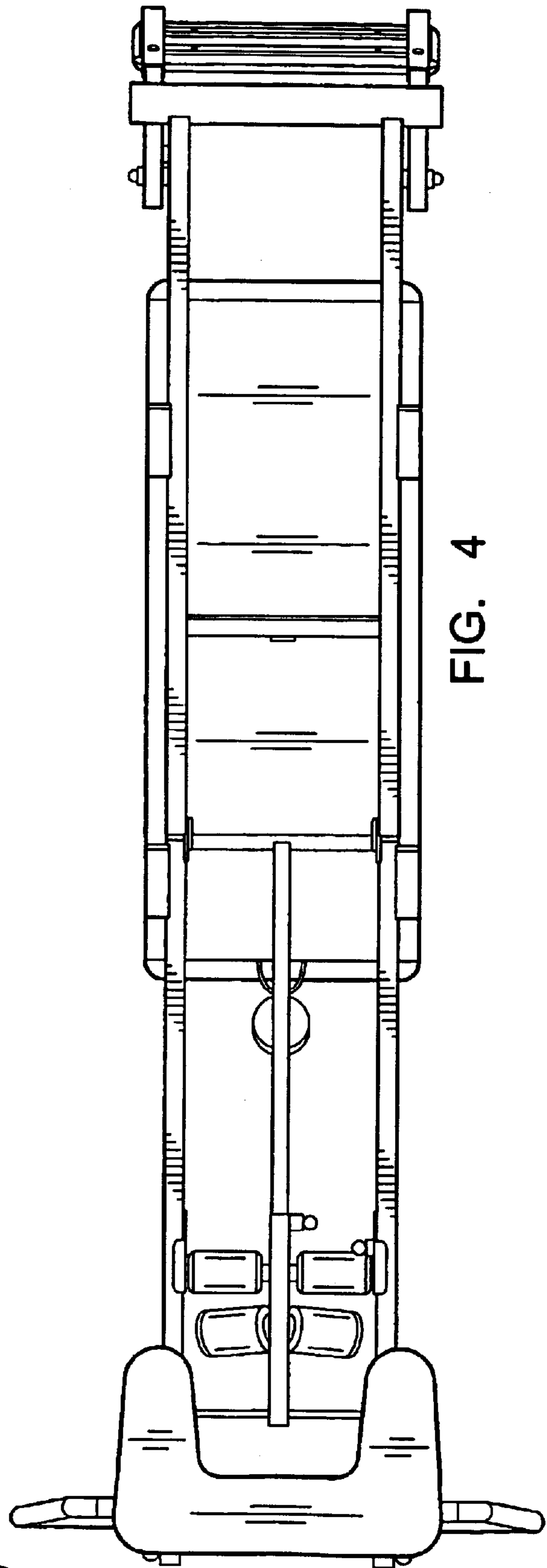


FIG. 4

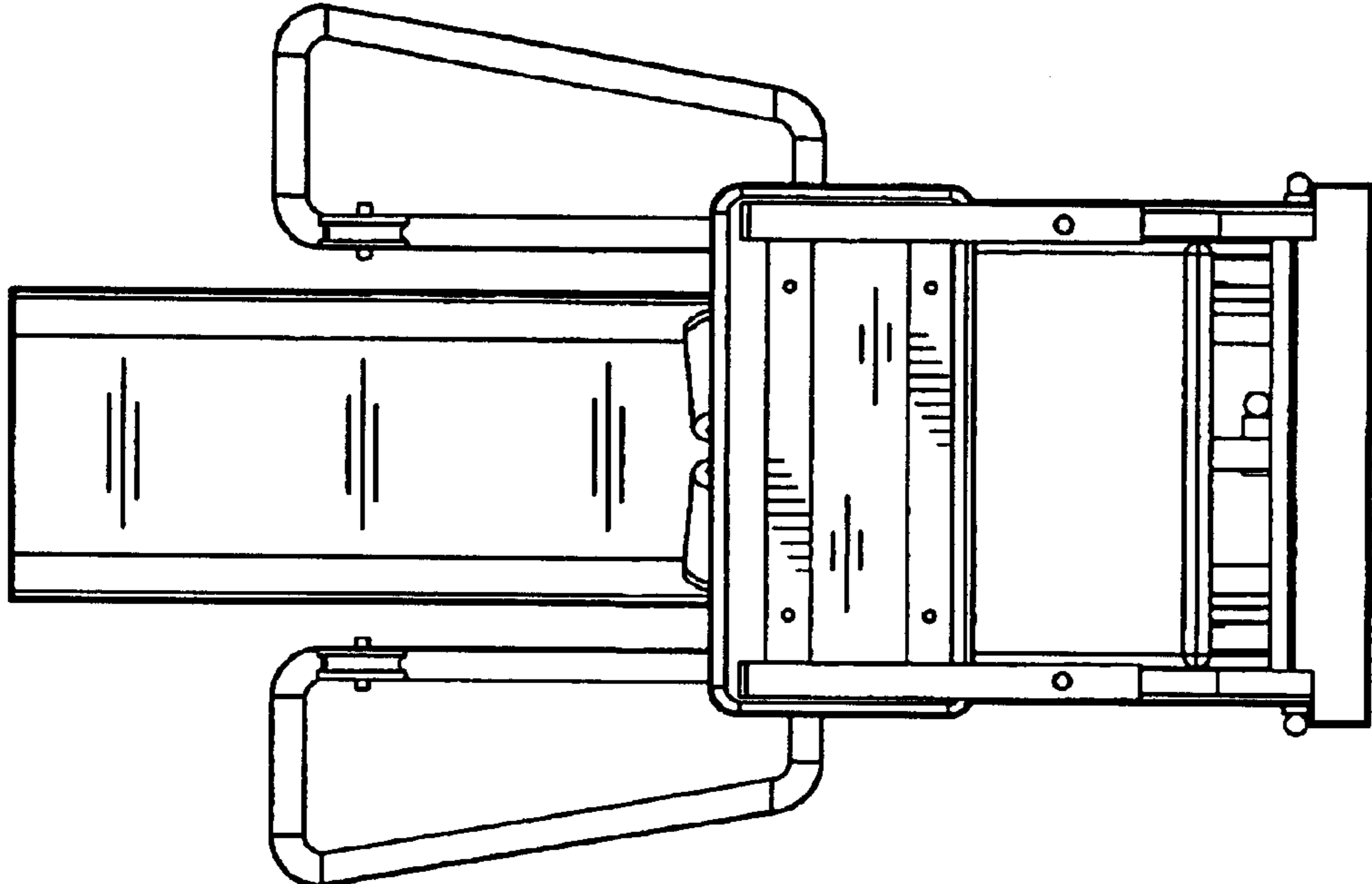


FIG. 6

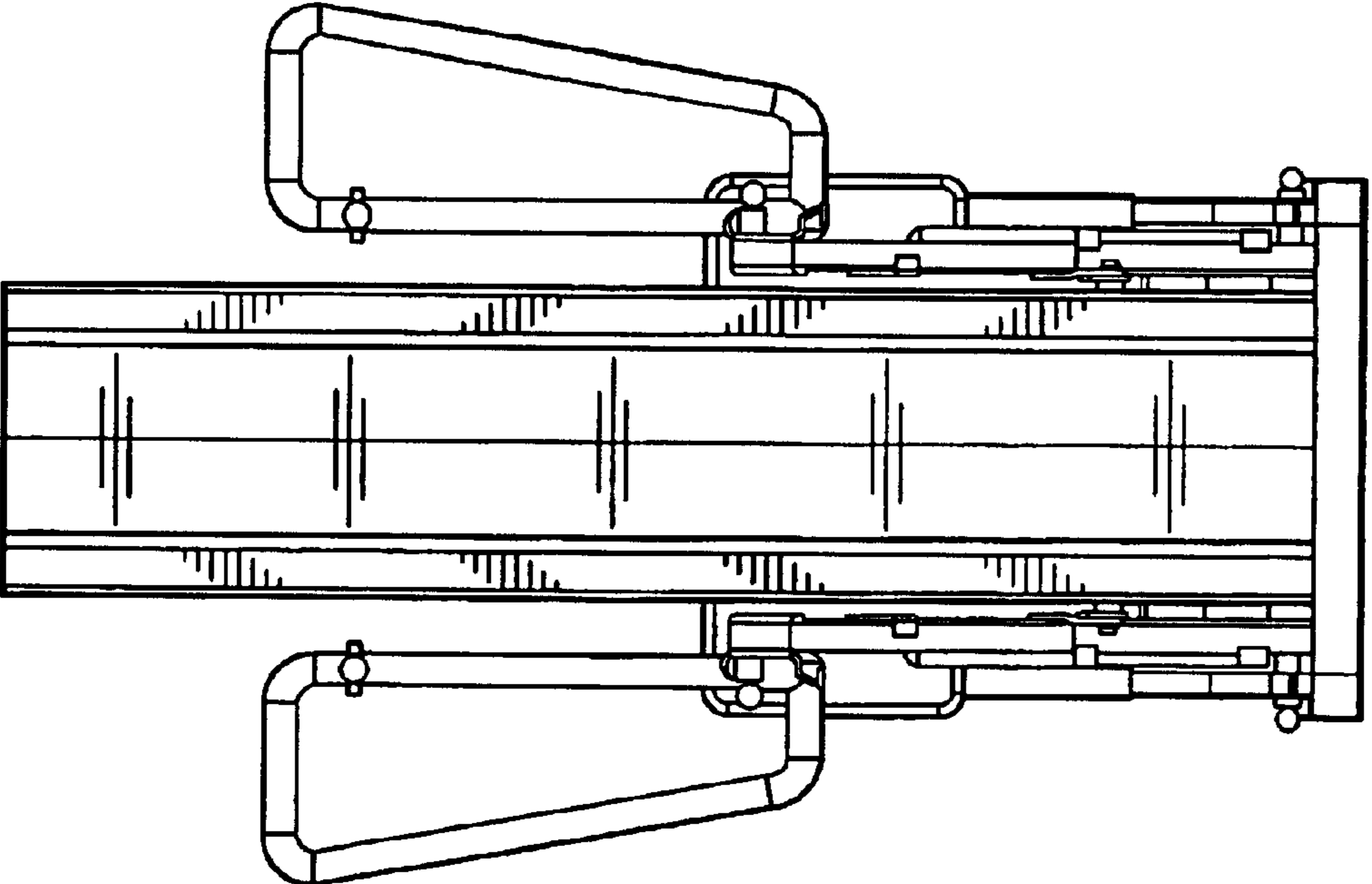


FIG. 5

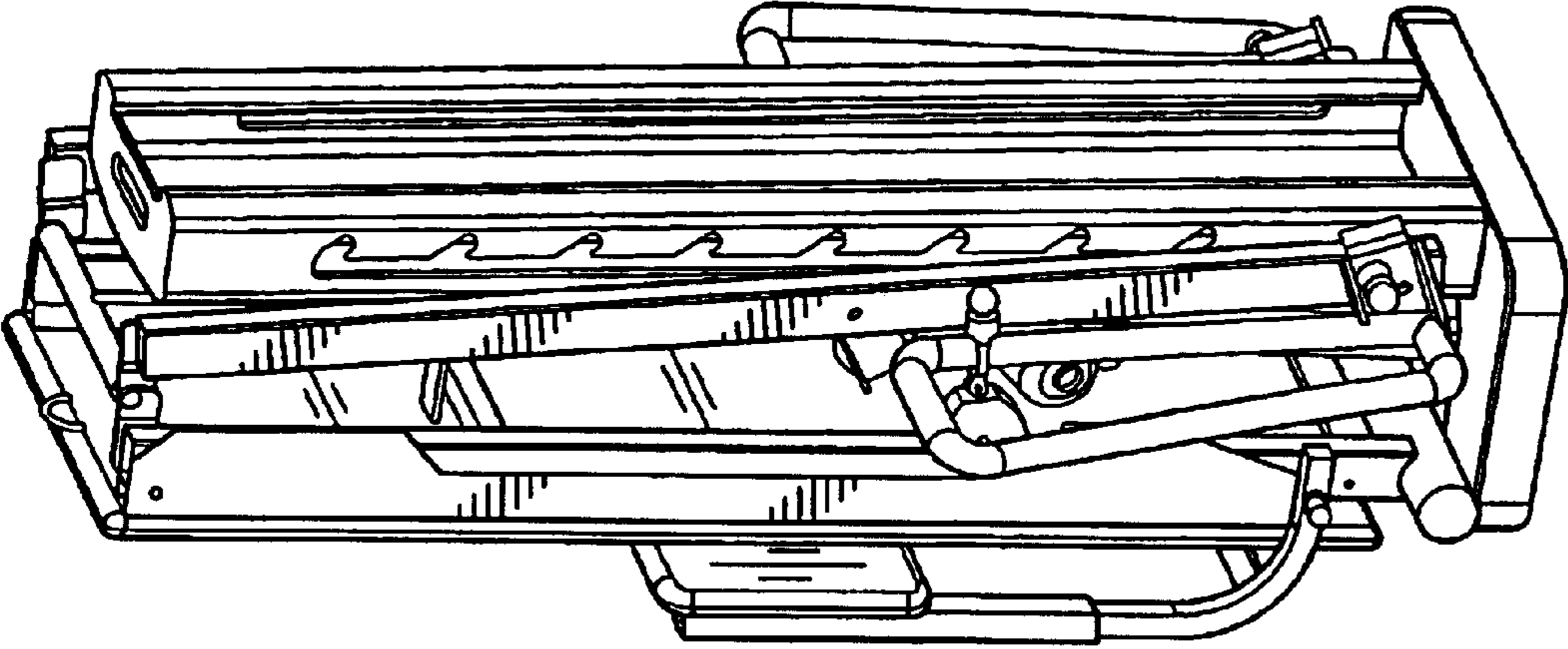


FIG. 8

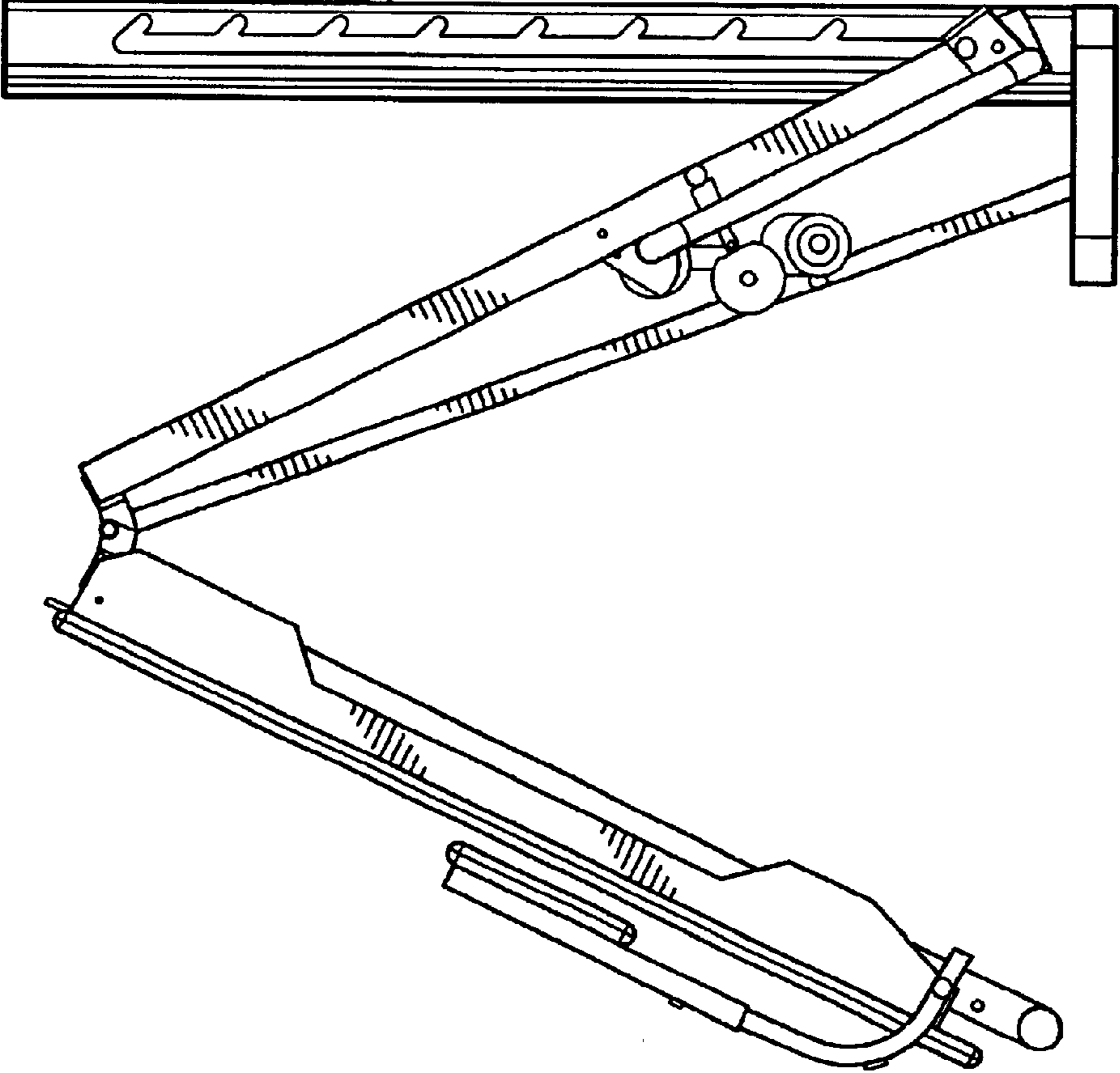


FIG. 7

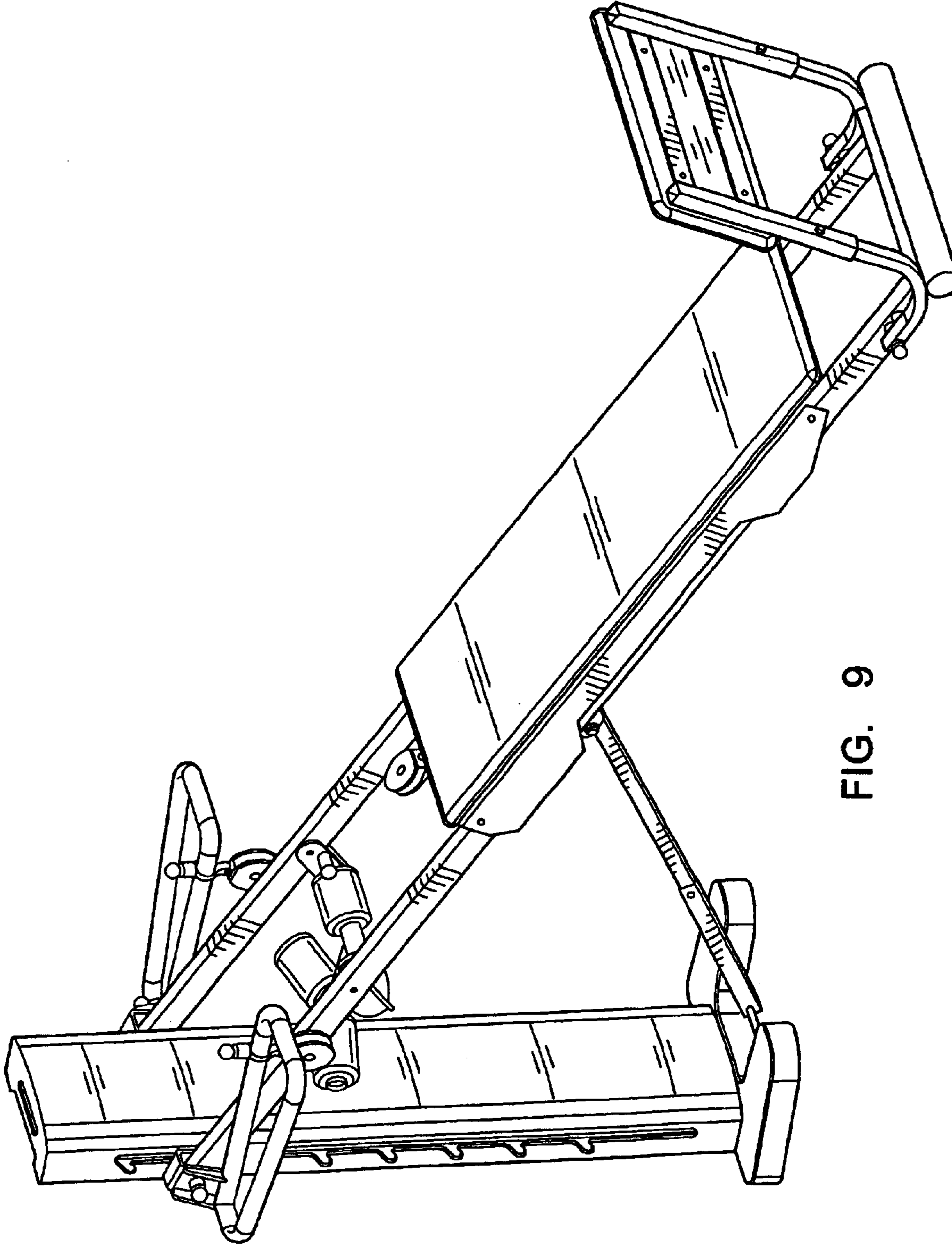


FIG. 9