

US00D493848S1

(12) **United States Design Patent**
Dunst

(10) **Patent No.:** **US D493,848 S**

(45) **Date of Patent:** **** Aug. 3, 2004**

(54) **ROLL BAR FRAME**

(76) **Inventor:** **Daniel Dunst**, Vinyl Grafix, 9903 Santa Monica Blvd., Suite 318, Beverly Hills, CA (US) 90212

(**) **Term:** **14 Years**

(21) **Appl. No.:** **29/189,899**

(22) **Filed:** **Sep. 12, 2003**

(51) **LOC (7) Cl.** **21-01**

(52) **U.S. Cl.** **D21/562**

(58) **Field of Search** D21/419-435,
D21/533-539, 548-562; D12/1, 16, 86-88,
112-114, 117; 446/85, 88, 93-96, 454-465,
470-471, 198, 437, 469; 180/291; 280/87.01,
87.021

(56) **References Cited**

U.S. PATENT DOCUMENTS

3,653,149 A *	4/1972	Prodger et al.	446/471
3,829,117 A *	8/1974	Park	180/291
4,521,204 A *	6/1985	Wiggs et al.	446/198
4,591,346 A *	5/1986	Ikeda	446/437
4,799,915 A *	1/1989	Lehmann et al.	446/456

5,667,421 A *	9/1997	Uetake	446/470
5,947,795 A *	9/1999	Cohen	446/469
5,951,363 A *	9/1999	Uetake	446/470

* cited by examiner

Primary Examiner—Raphael Barkai

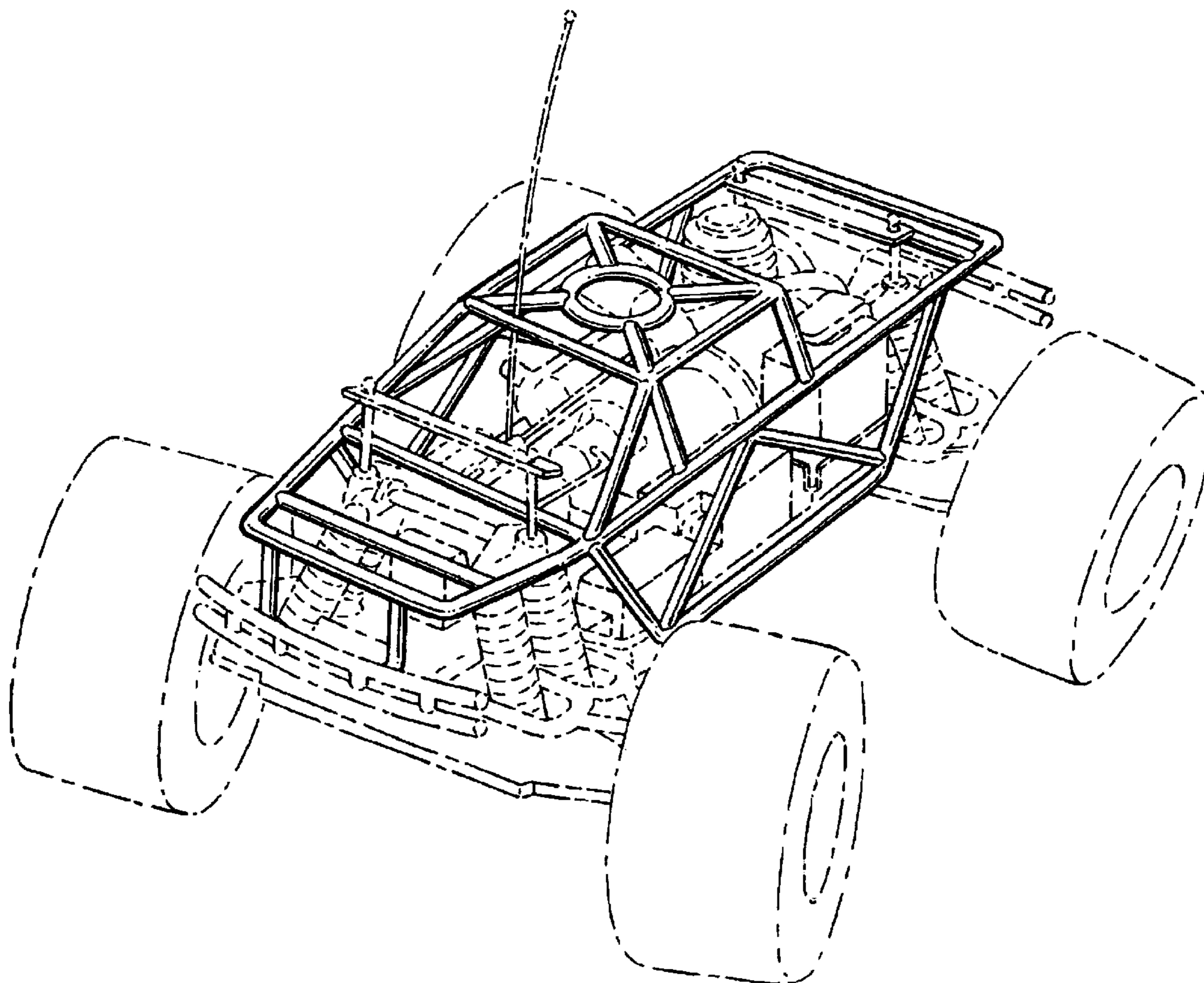
(57) **CLAIM**

The ornamental design for the roll bar frame, as shown and described.

DESCRIPTION

FIG. 1 is a front right side prospective view of the roll bar frame of the present invention on a radio control vehicle; FIG. 2 is a front left side prospective view of the roll bar frame; FIG. 3 is a right side view of the roll bar frame; FIG. 4 is a left side view of the roll bar frame; FIG. 5 is a top plan view of the roll bar frame; FIG. 6 is a bottom plan view of the roll bar frame; FIG. 7 is a front view of the roll bar frame; and, FIG. 8 is a rear view of the roll bar frame. The broken lines shown in FIG. 1 are for illustrative purposes only and form no part of the claimed design.

1 Claim, 8 Drawing Sheets



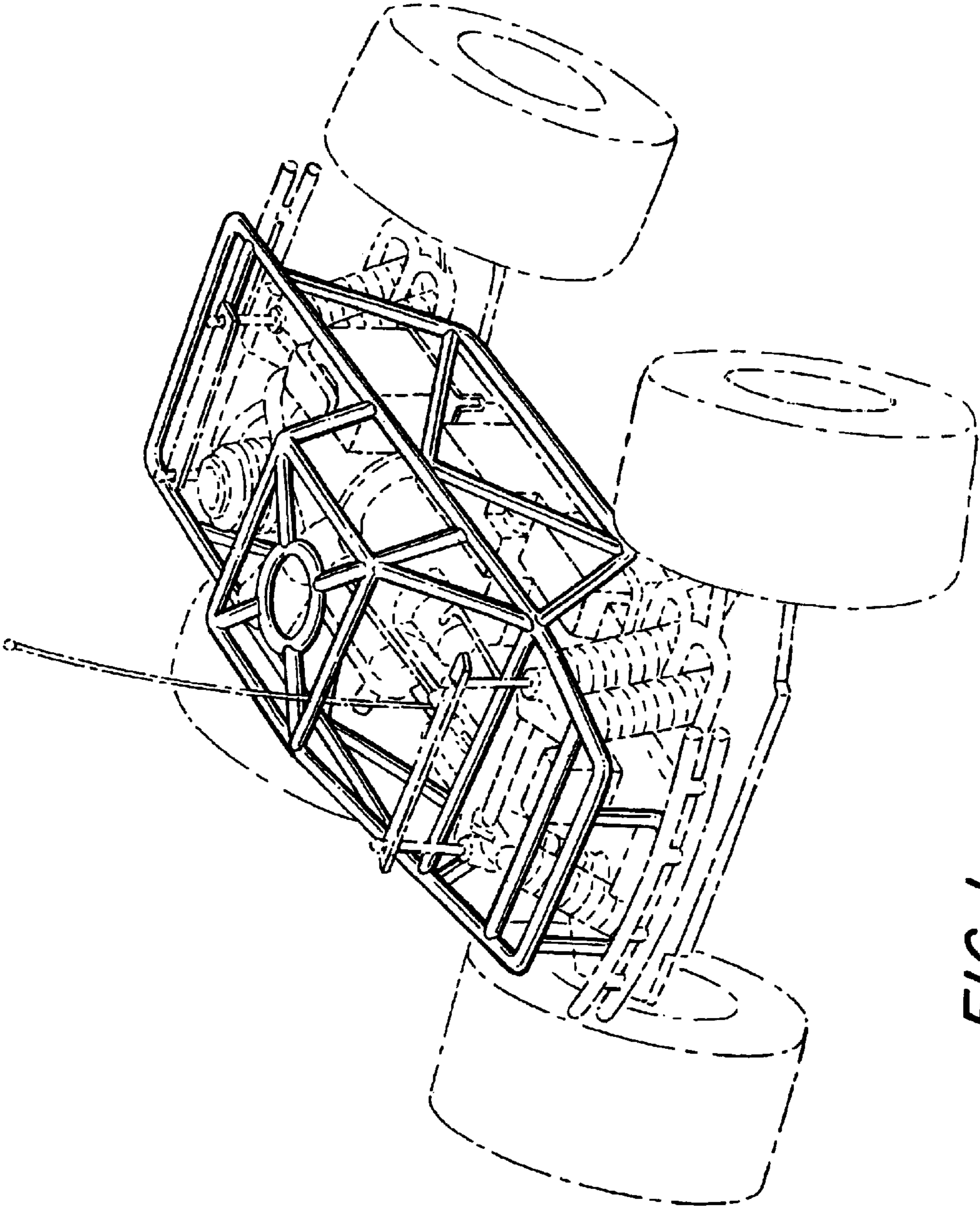


FIG. 1

FIG. 2

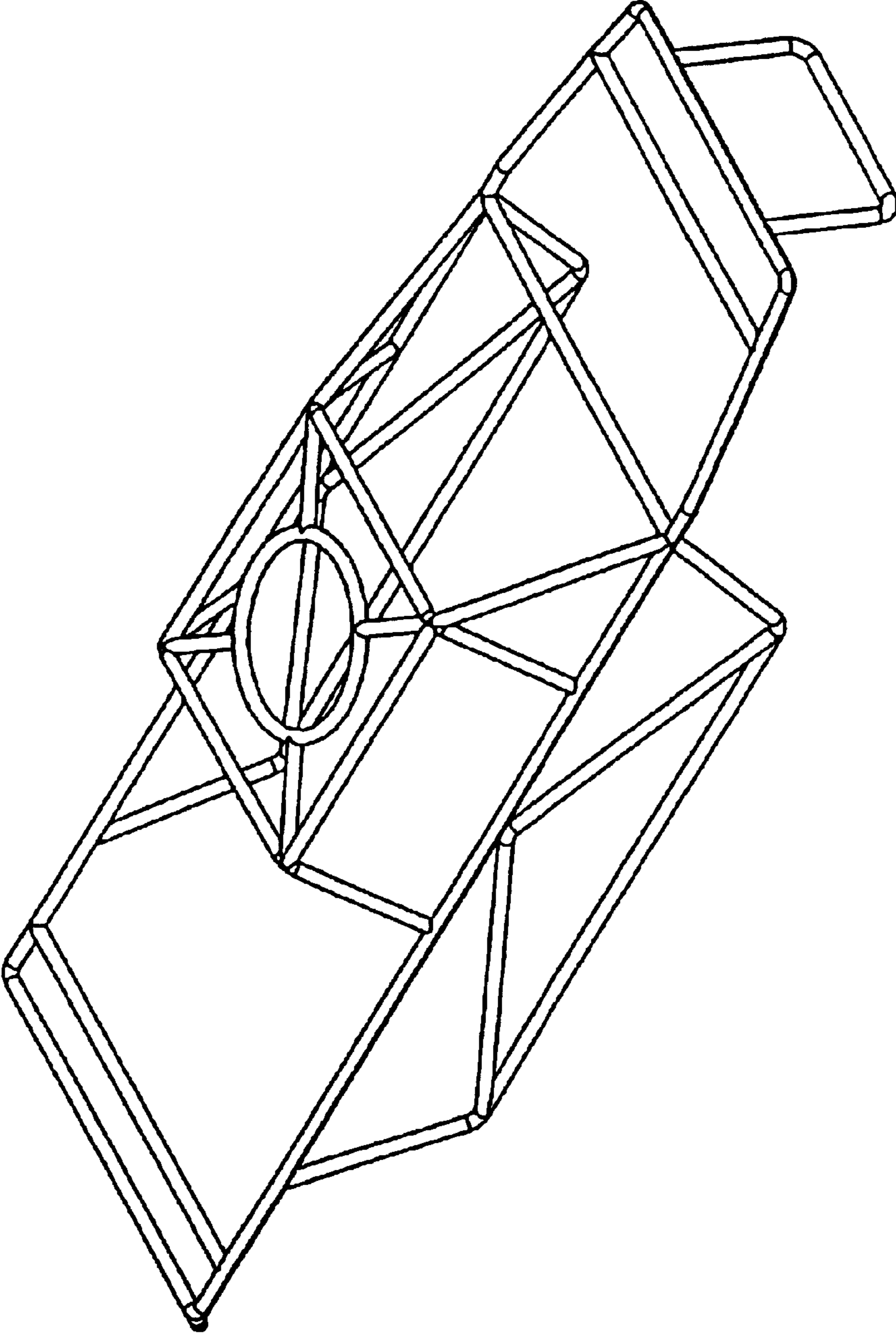


FIG. 3

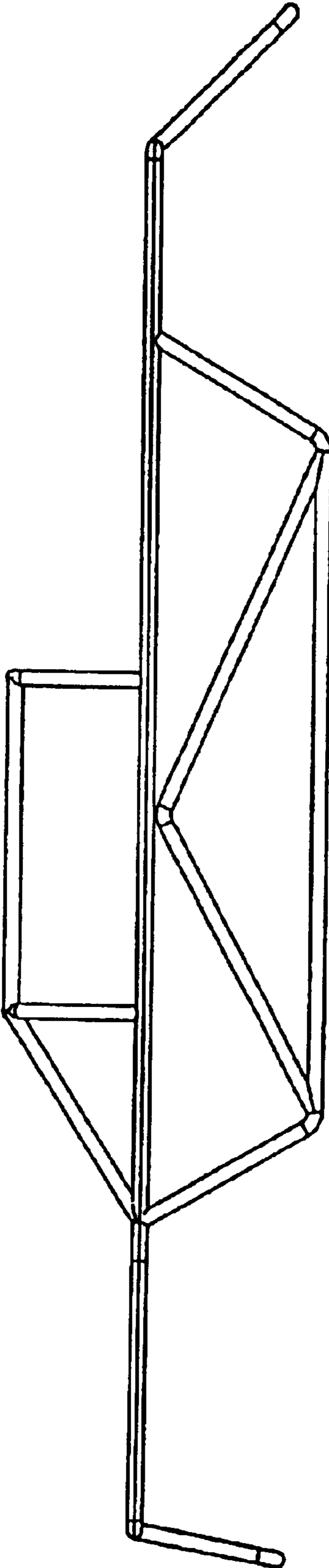


FIG. 4

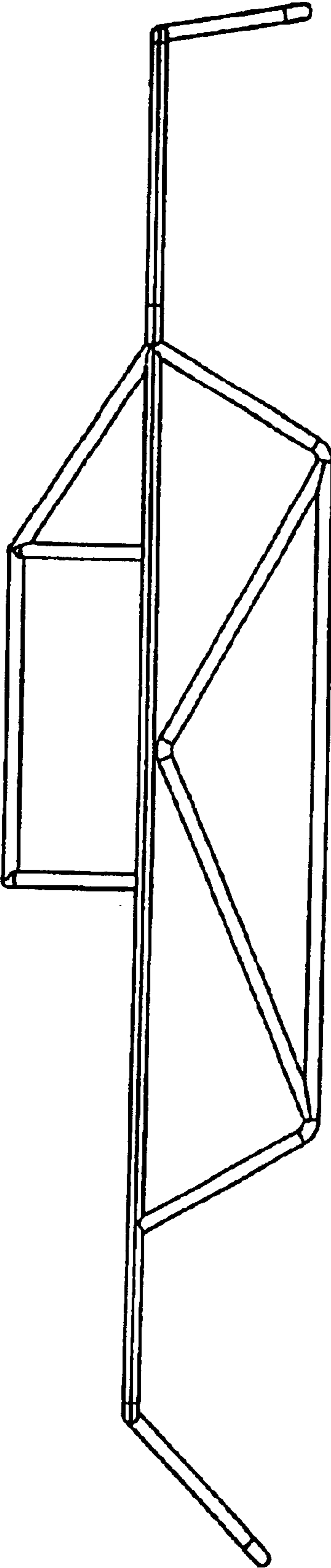


FIG. 5

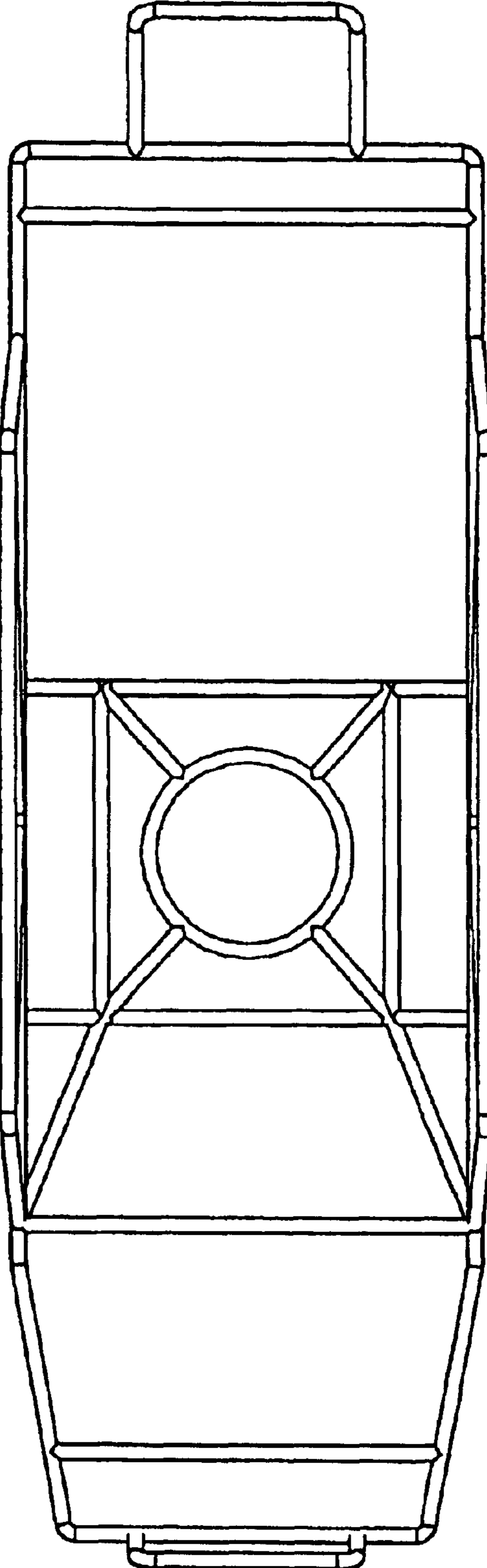


FIG. 6

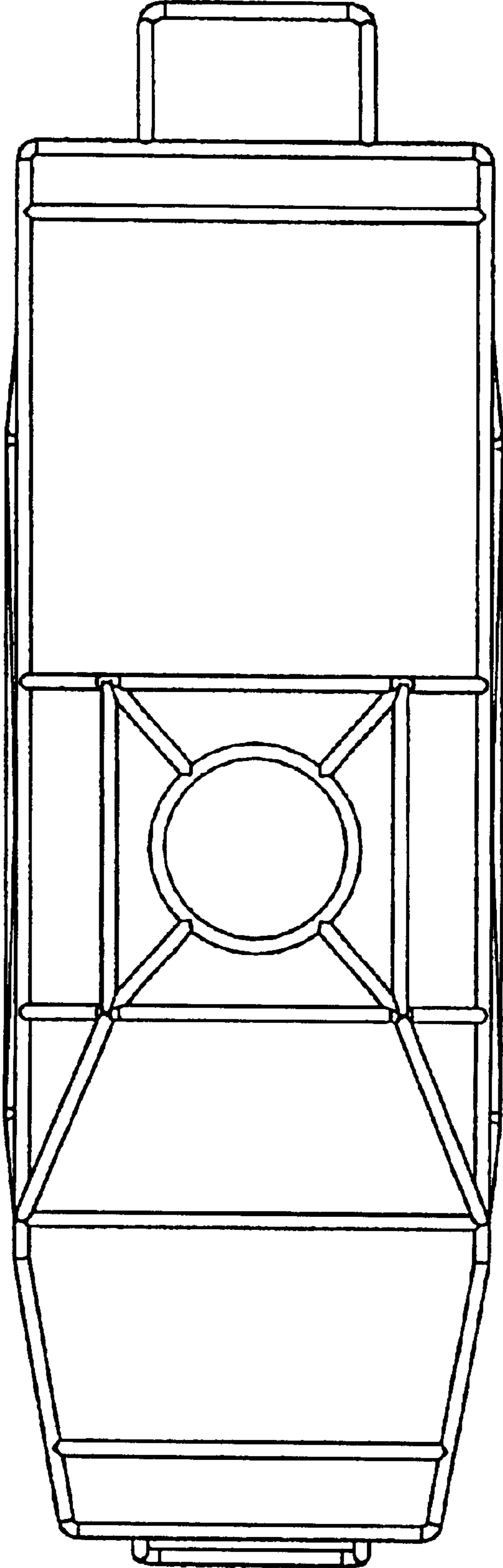


FIG. 7

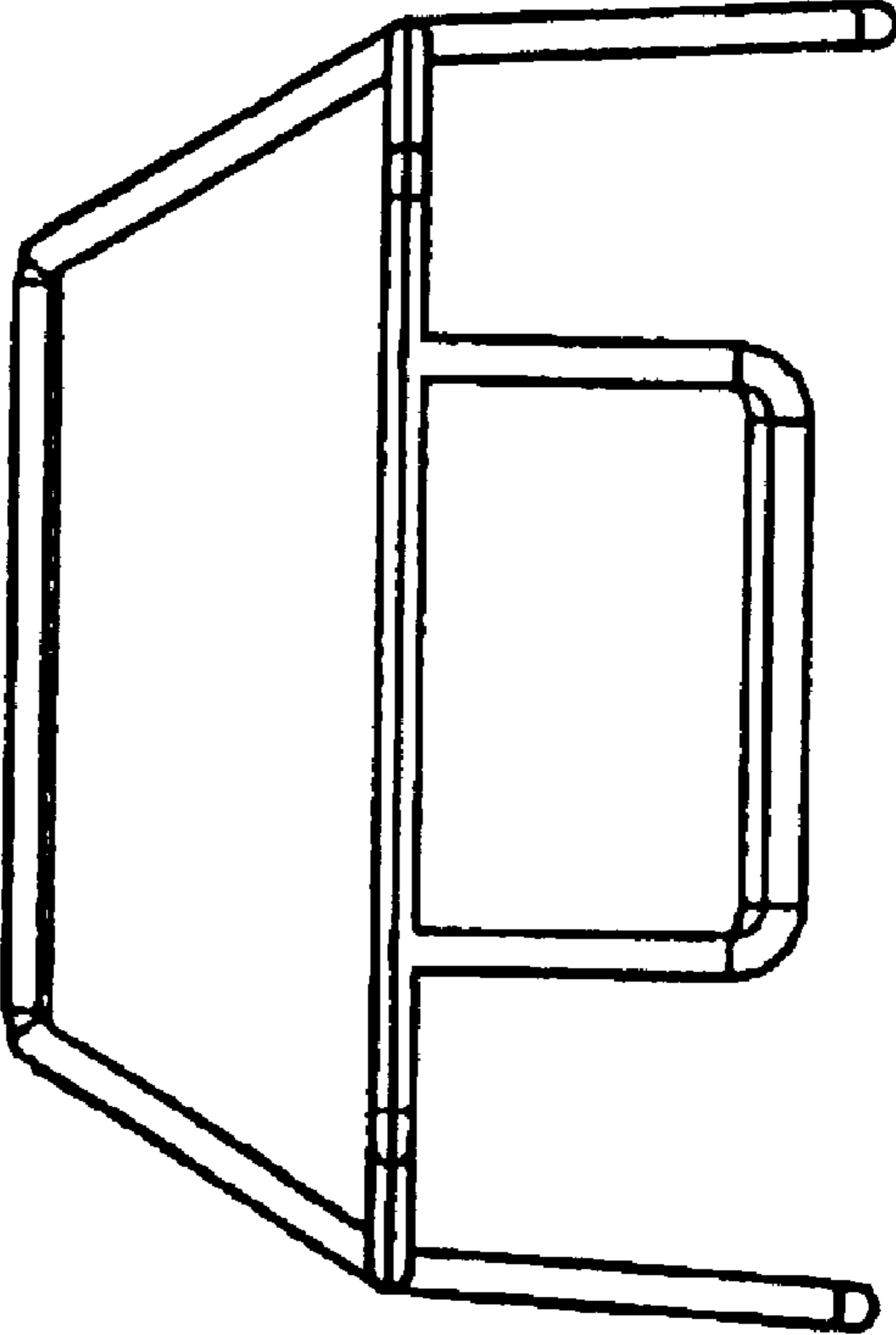


FIG. 8

