

US00D493847S1

(12) **United States Design Patent**
Wang

(10) **Patent No.:** **US D493,847 S**

(45) **Date of Patent:** **** Aug. 3, 2004**

(54) **MOBILE RIDING TOY-JEEP**

(75) **Inventor:** **Chia-Hui Wang, Chia-I (TW)**

(73) **Assignee:** **Link Treasure Limited, Chia-I-Hsien (TW)**

(**) **Term:** **14 Years**

(21) **Appl. No.:** **29/193,762**

(22) **Filed:** **Nov. 14, 2003**

(30) **Foreign Application Priority Data**

May 16, 2003 (TW) 92303090

(51) **LOC (7) Cl.** **21-02**

(52) **U.S. Cl.** **D21/433; D21/551**

(58) **Field of Search** D21/424-435,
D21/533, 548-562; D12/16, 163, 169, 170,
87; 446/424-425, 427, 433, 454, 456-457,
462, 465, 470-471; 280/87.01, 87.021,
828; 293/13, 15, 17, 20; 296/185-186,
190

(56) **References Cited**

U.S. PATENT DOCUMENTS

D299,666 S * 1/1989 Harrod D21/551
D328,317 S * 7/1992 Harrod D21/433

D345,394 S * 3/1994 Chen D21/433
D395,023 S * 6/1998 Hikida D12/16
D410,502 S * 6/1999 Harrod D21/433
D417,244 S * 11/1999 Yeh et al. D21/433
D460,130 S * 7/2002 Cheng D21/551
D461,510 S * 8/2002 Wu D21/433
D464,086 S * 10/2002 Wu D21/433

* cited by examiner

Primary Examiner—Raphael Barkai

(74) *Attorney, Agent, or Firm*—Birch, Stewart, Kolasch & Birch, LLP

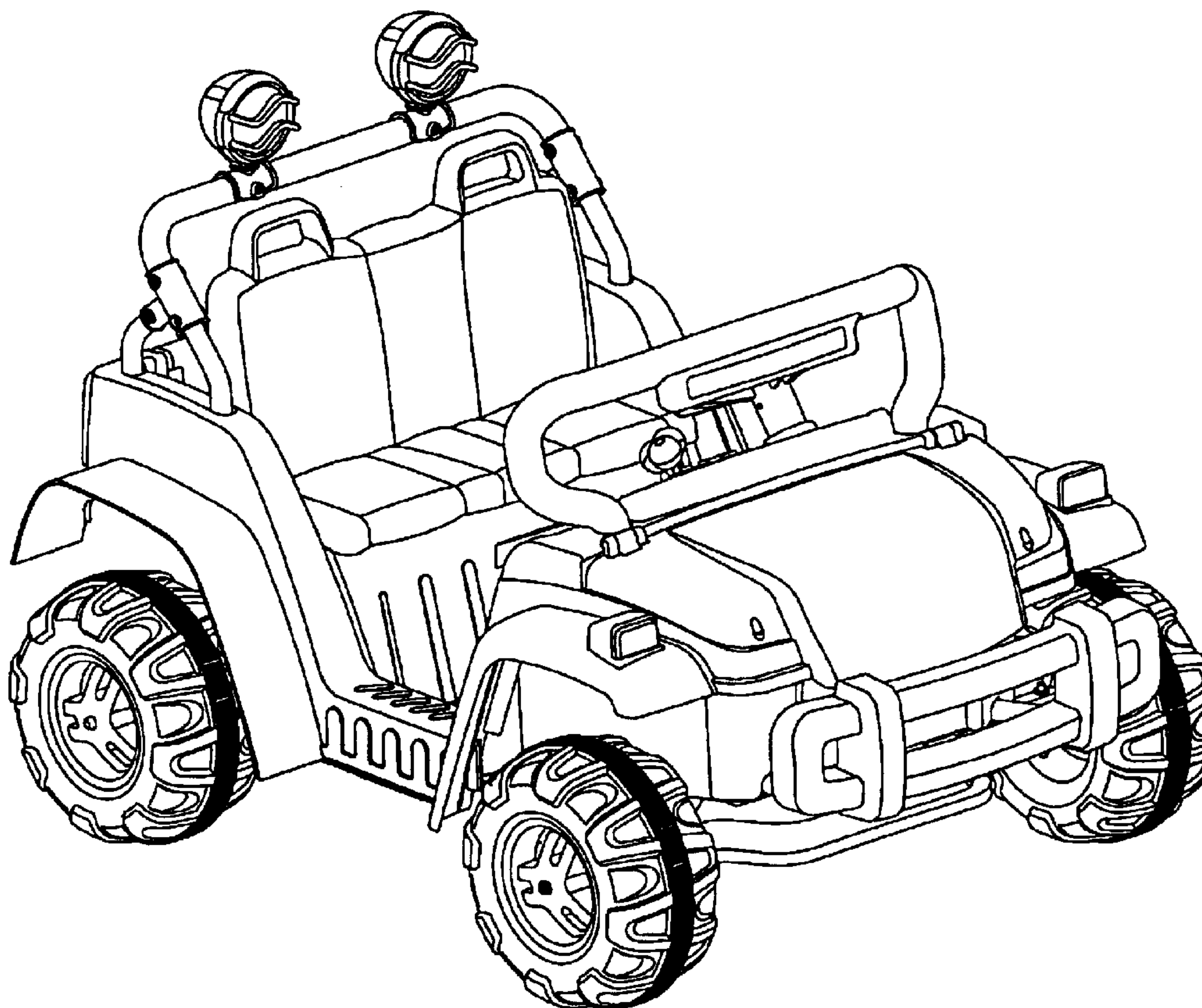
(57) **CLAIM**

The ornamental design for a mobile riding toy-jeep, as shown and described.

DESCRIPTION

FIG. 1 is a perspective view of a mobile riding toy-jeep showing our new design;
FIG. 2 is a right side elevational view thereof;
FIG. 3 is a left side elevational view thereof;
FIG. 4 is a front view thereof;
FIG. 5 is a rear view thereof;
FIG. 6 is a top view thereof; and,
FIG. 7 is a bottom view thereof.

1 Claim, 4 Drawing Sheets



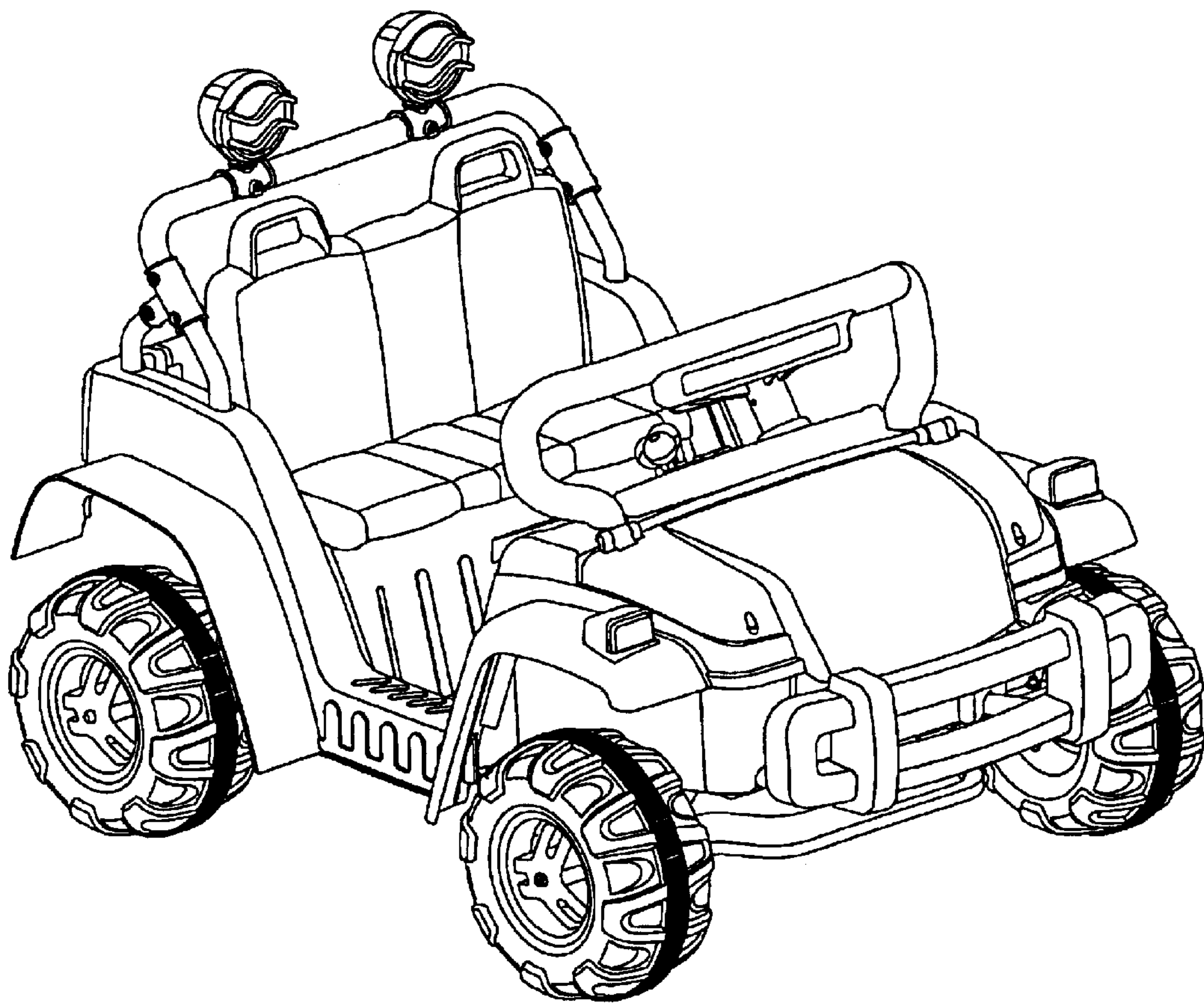


FIG.1

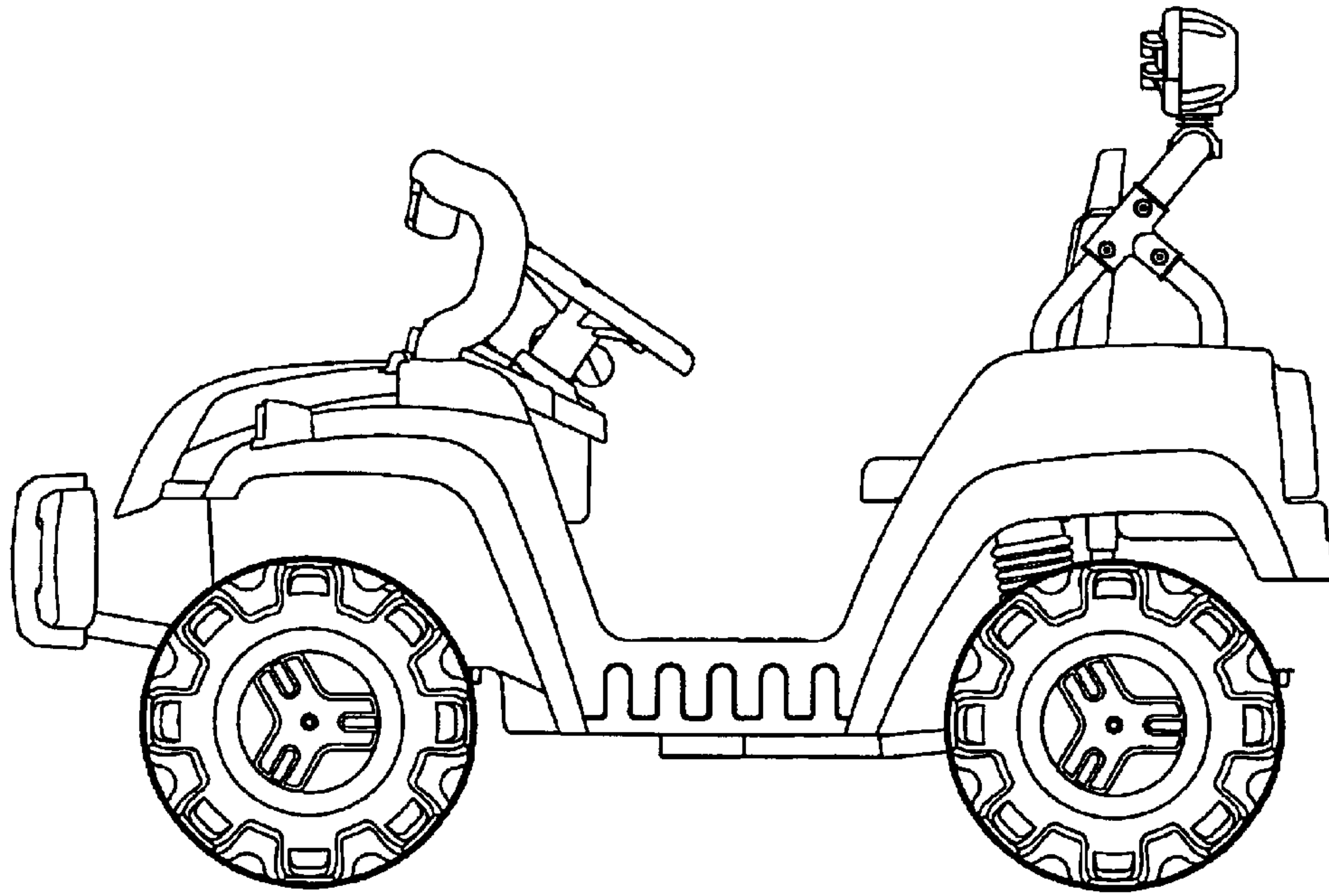


FIG.2

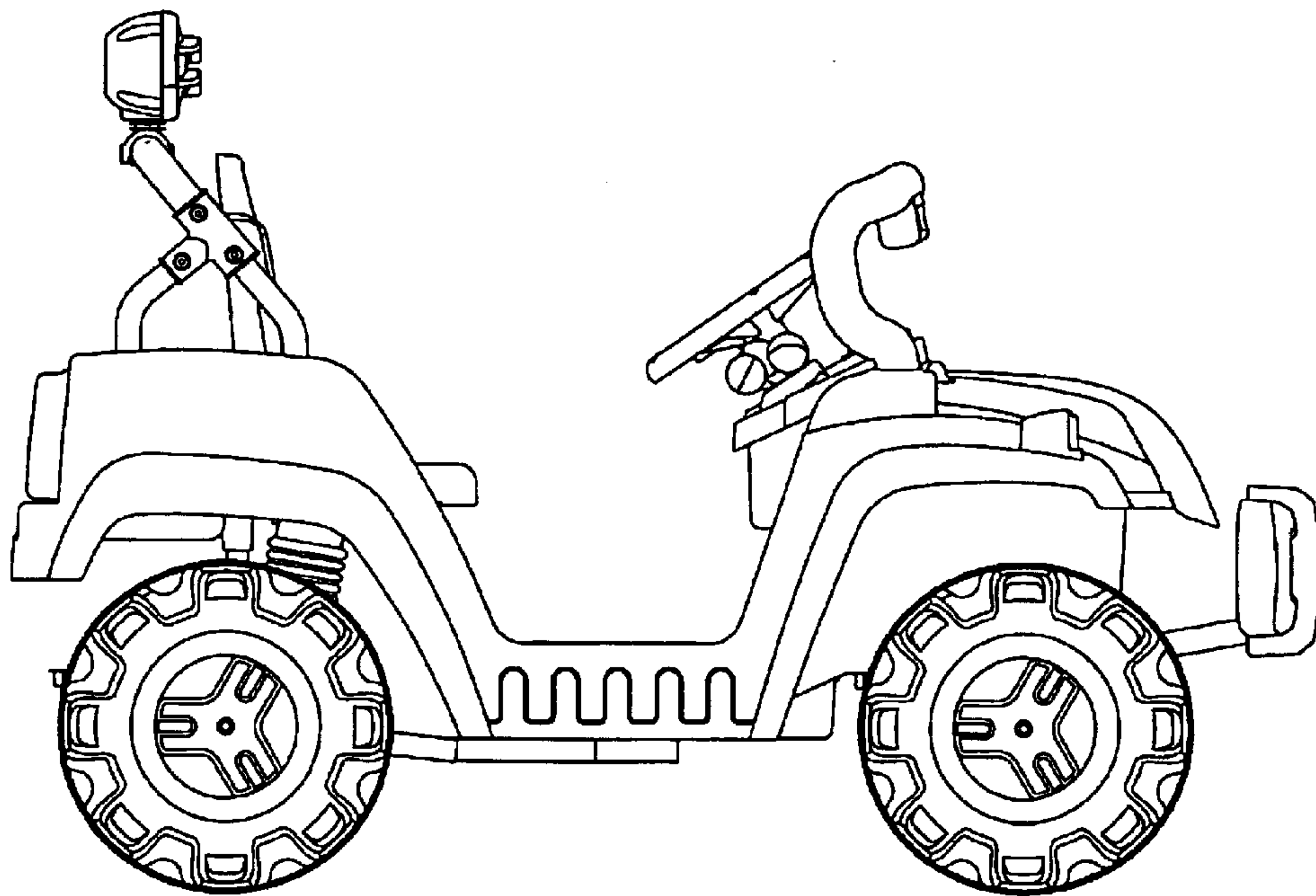


FIG.3

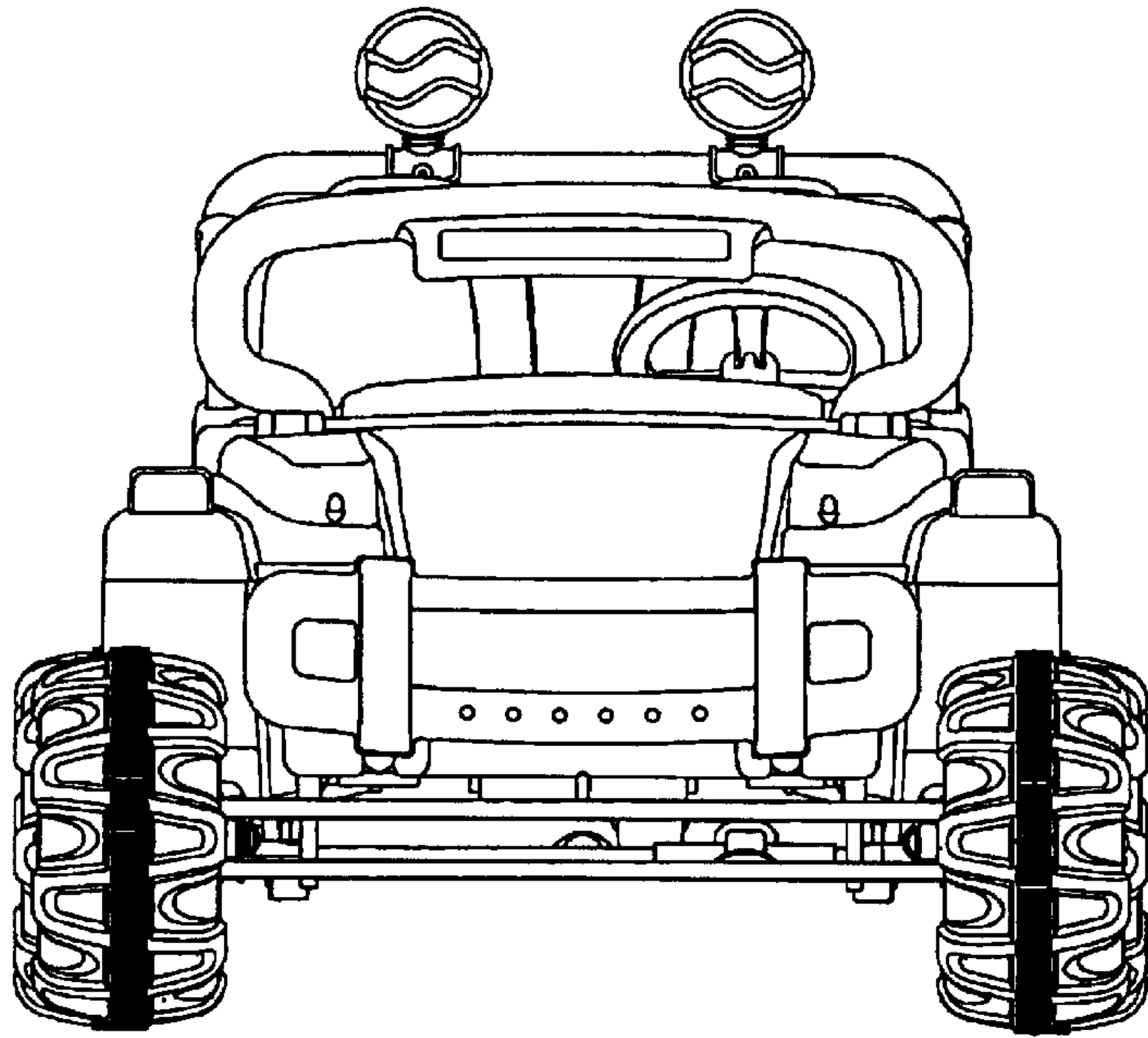


FIG. 4

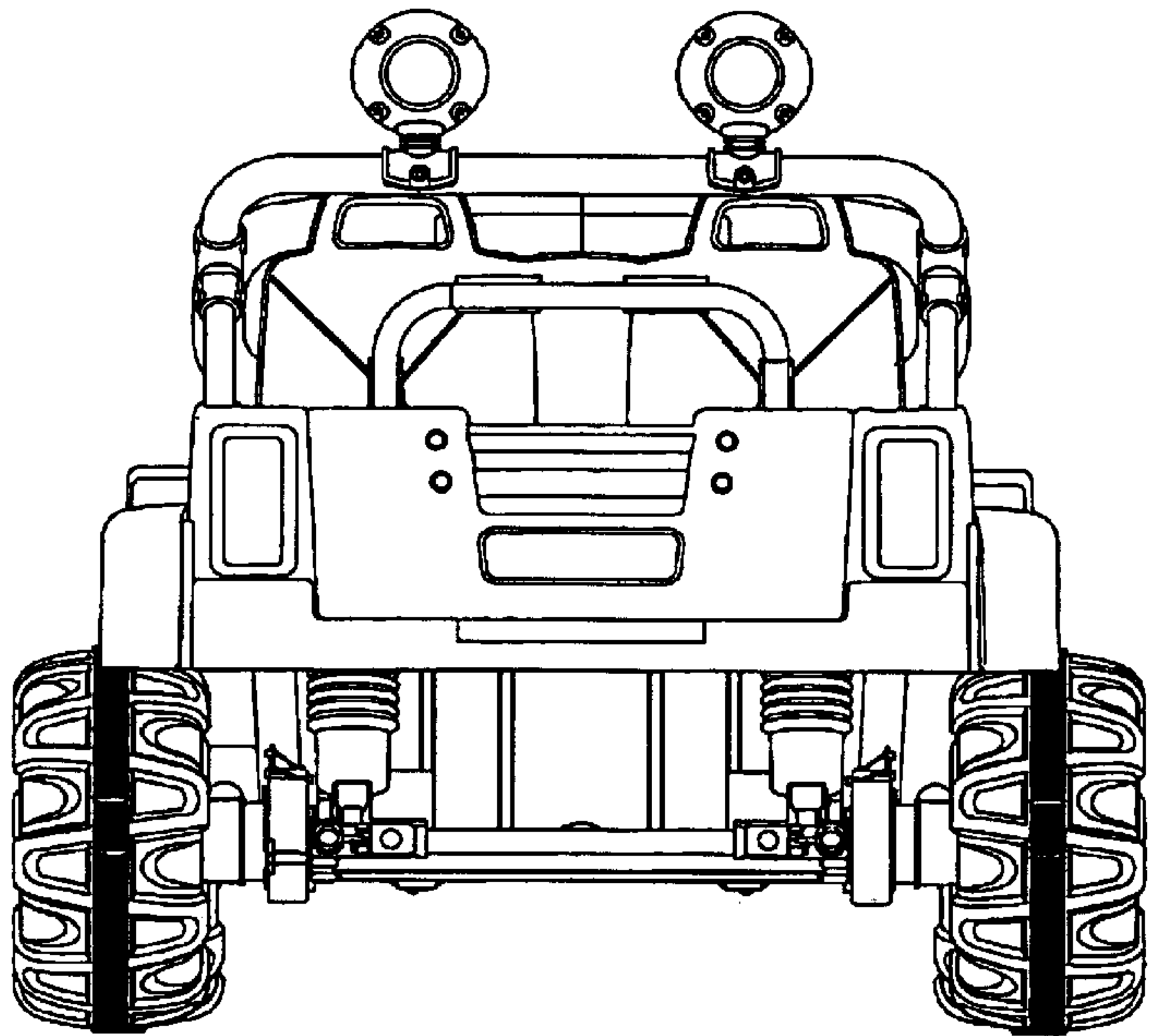


FIG. 5

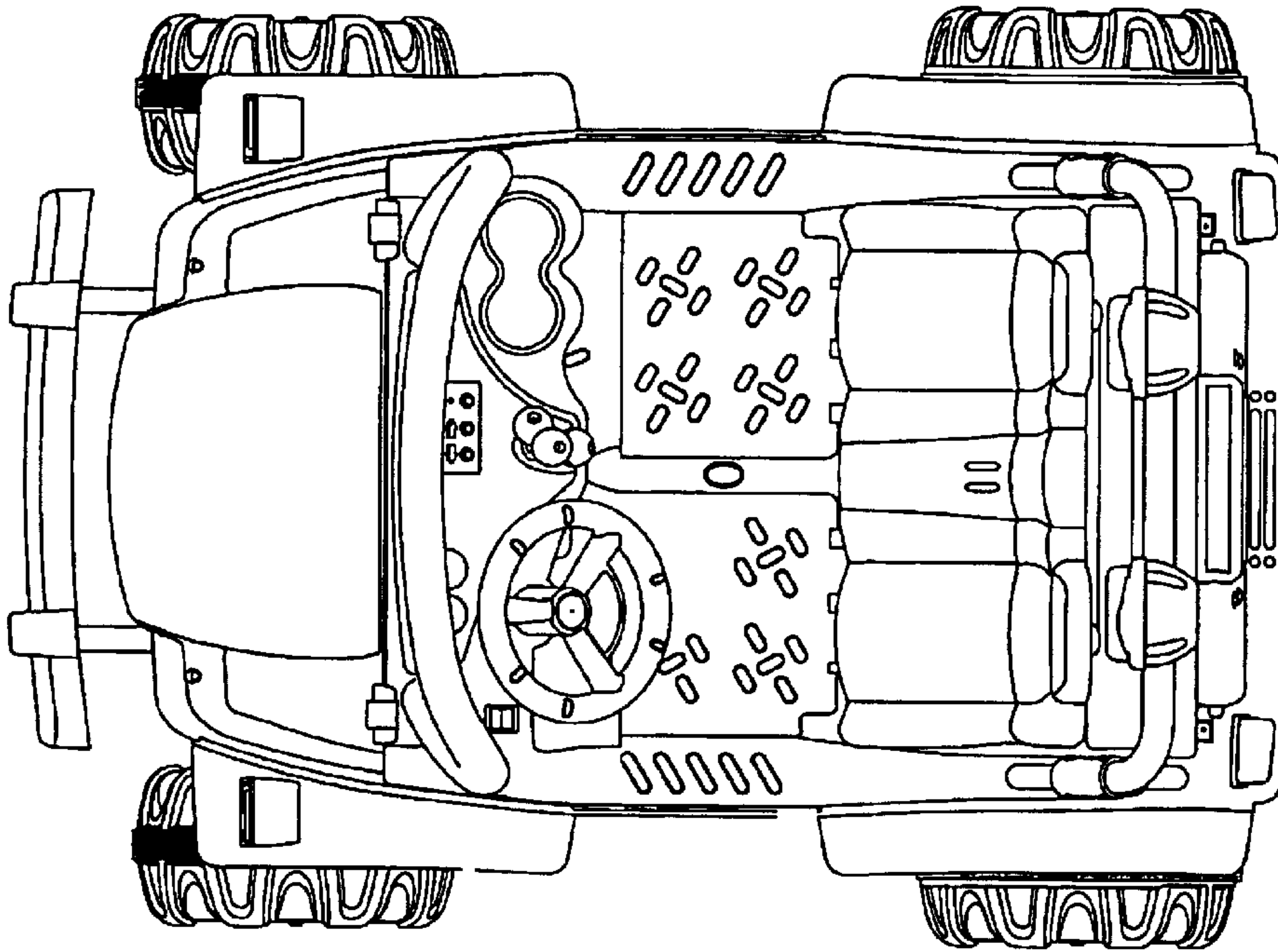


FIG. 6

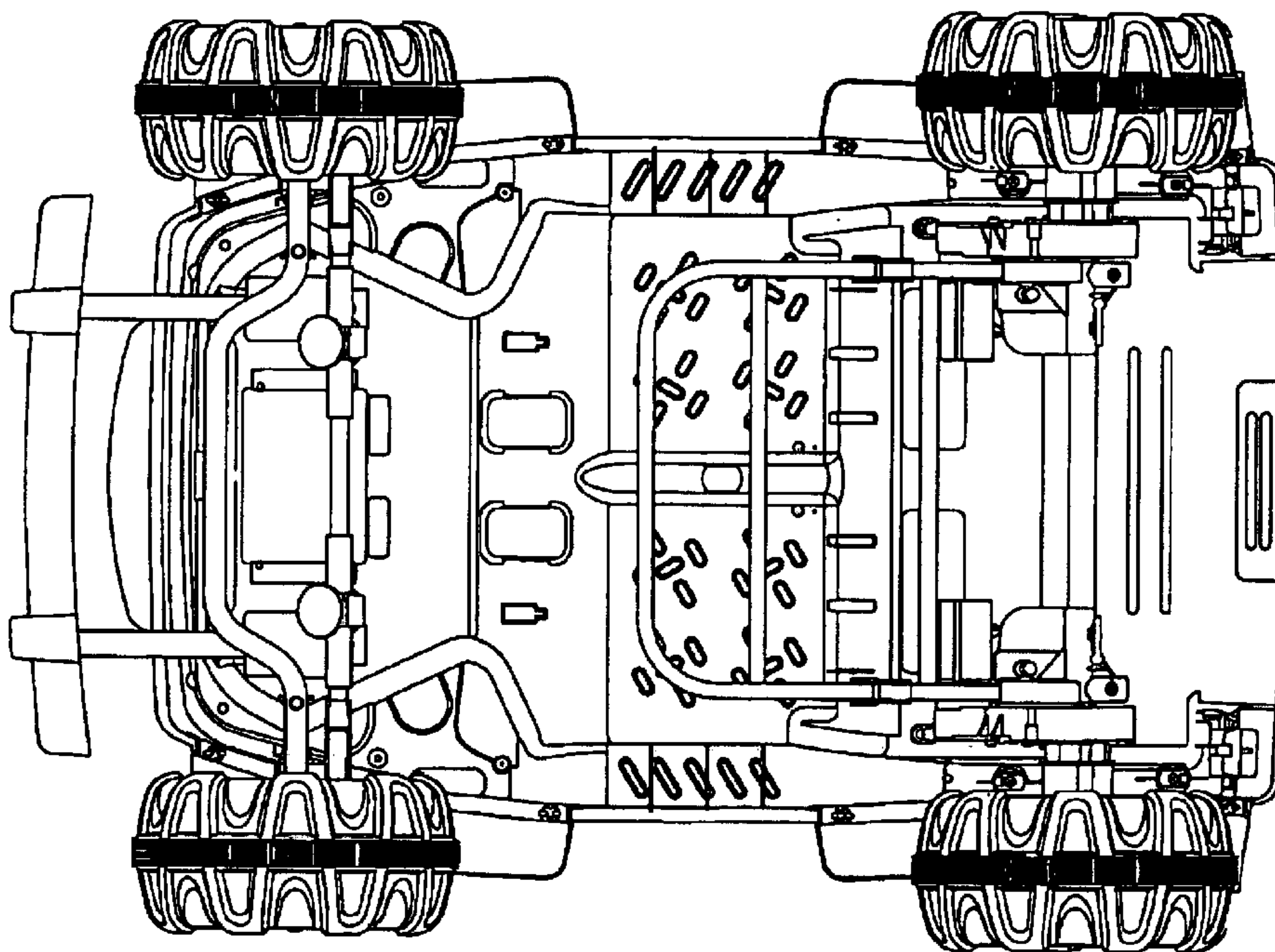


FIG. 7