



US00D493845S1

(12) **United States Design Patent**  
**Morrison**

(10) **Patent No.: US D493,845 S**

(45) **Date of Patent: \*\* Aug. 3, 2004**

(54) **CABINET FOR A GAMING MACHINE**

D439,931 S	*	4/2001	Yamaguchi	.....	D21/369
D451,150 S	*	11/2001	Hedrick et al.	.....	D21/370
D451,151 S	*	11/2001	Hedrick et al.	.....	D21/370
D459,402 S	*	6/2002	Wurz et al.	.....	D21/325

(75) Inventor: **Robert S. Morrison**, Hoschton, GA (US)

(73) Assignee: **Vision Gaming & Technology, Inc.**, Norcross, GA (US)

(\*\*) Term: **14 Years**

\* cited by examiner

*Primary Examiner*—Sandra L. Morris

(74) *Attorney, Agent, or Firm*—Sand & Sebolt

(21) Appl. No.: **29/196,026**

(57) **CLAIM**

(22) Filed: **Dec. 19, 2003**

The ornamental design for the cabinet for a gaming machine, as shown and described.

**Related U.S. Application Data**

**DESCRIPTION**

(62) Division of application No. 29/175,799, filed on Feb. 10, 2003, now Pat. No. Des. 486,530.

(51) **LOC (7) Cl.** ..... **21-03**

(52) **U.S. Cl.** ..... **D21/369**

(58) **Field of Search** ..... D21/325, 329, D21/369–371, 374; 273/138.1; 463/16–17, 20, 46–47

FIG. 1 is a perspective view of the gaming machine of the present invention;

FIG. 2 is a front elevational view of the gaming machine of the present invention;

FIG. 3 is a right side elevational view of the gaming machine of the present invention; and,

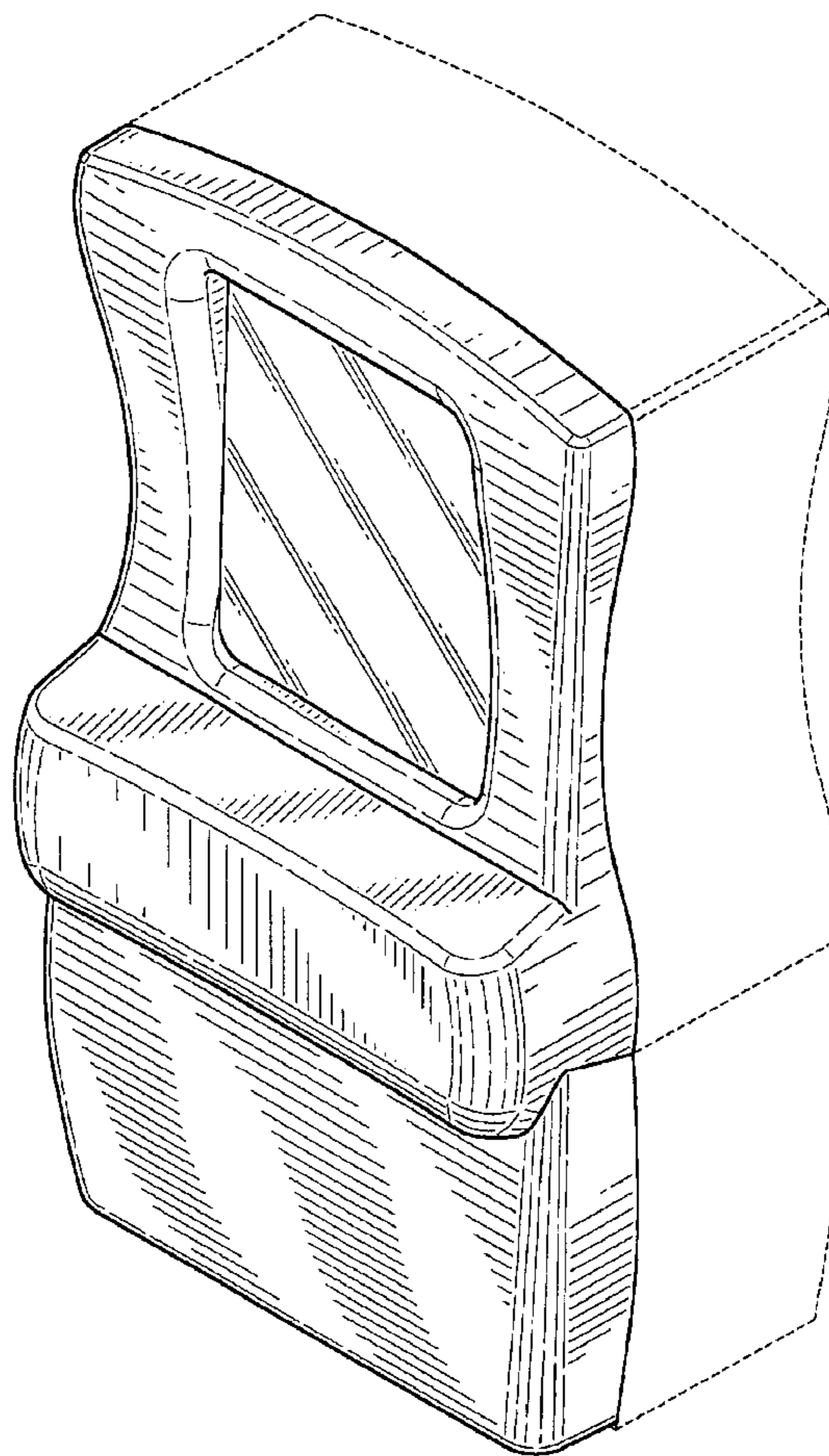
FIG. 4 is a left elevational view of the gaming machine of the present invention.

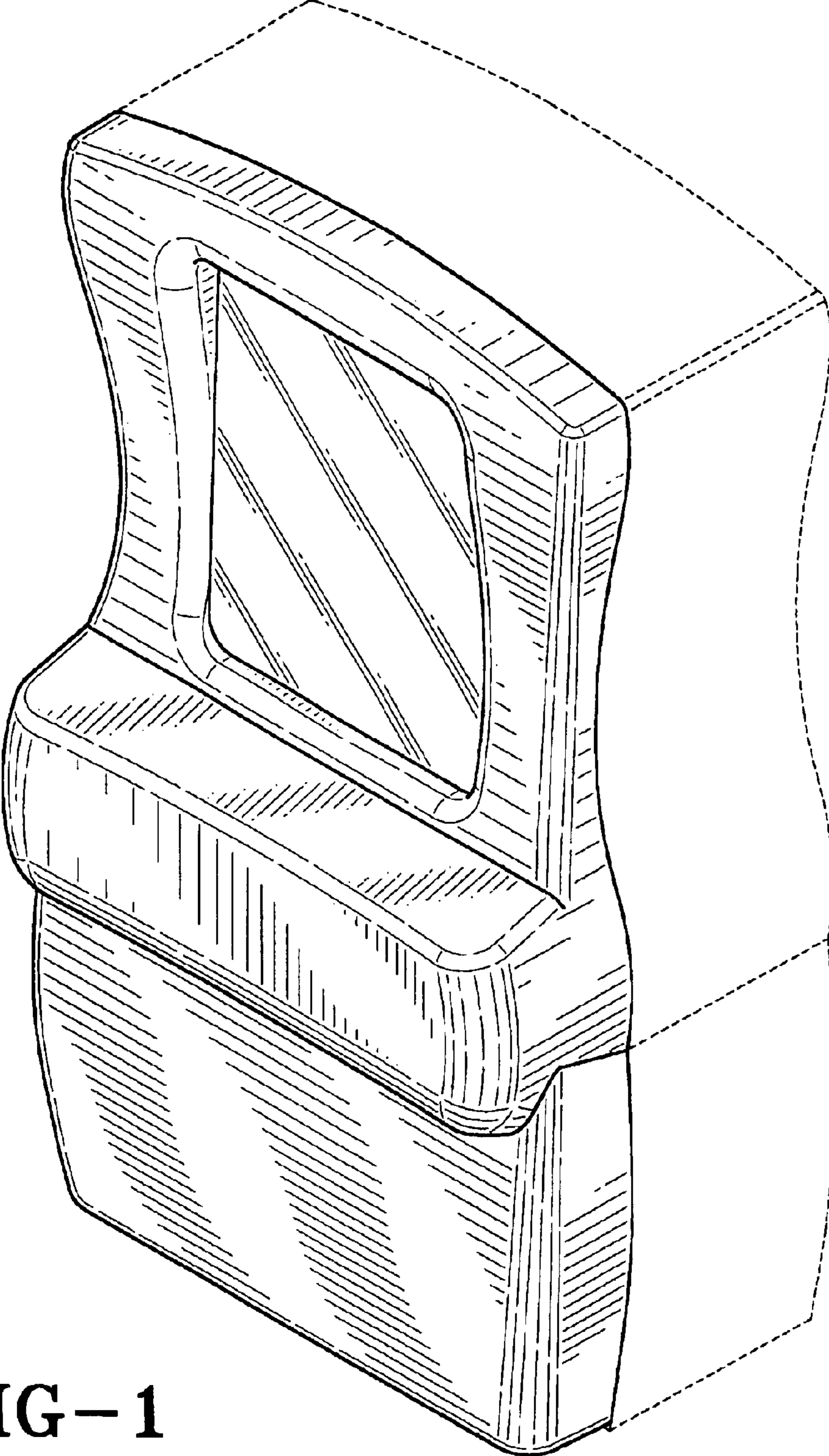
(56) **References Cited**

**U.S. PATENT DOCUMENTS**

6,117,010 A \* 9/2000 Canterbury et al. .... 463/20

**1 Claim, 3 Drawing Sheets**





**FIG-1**

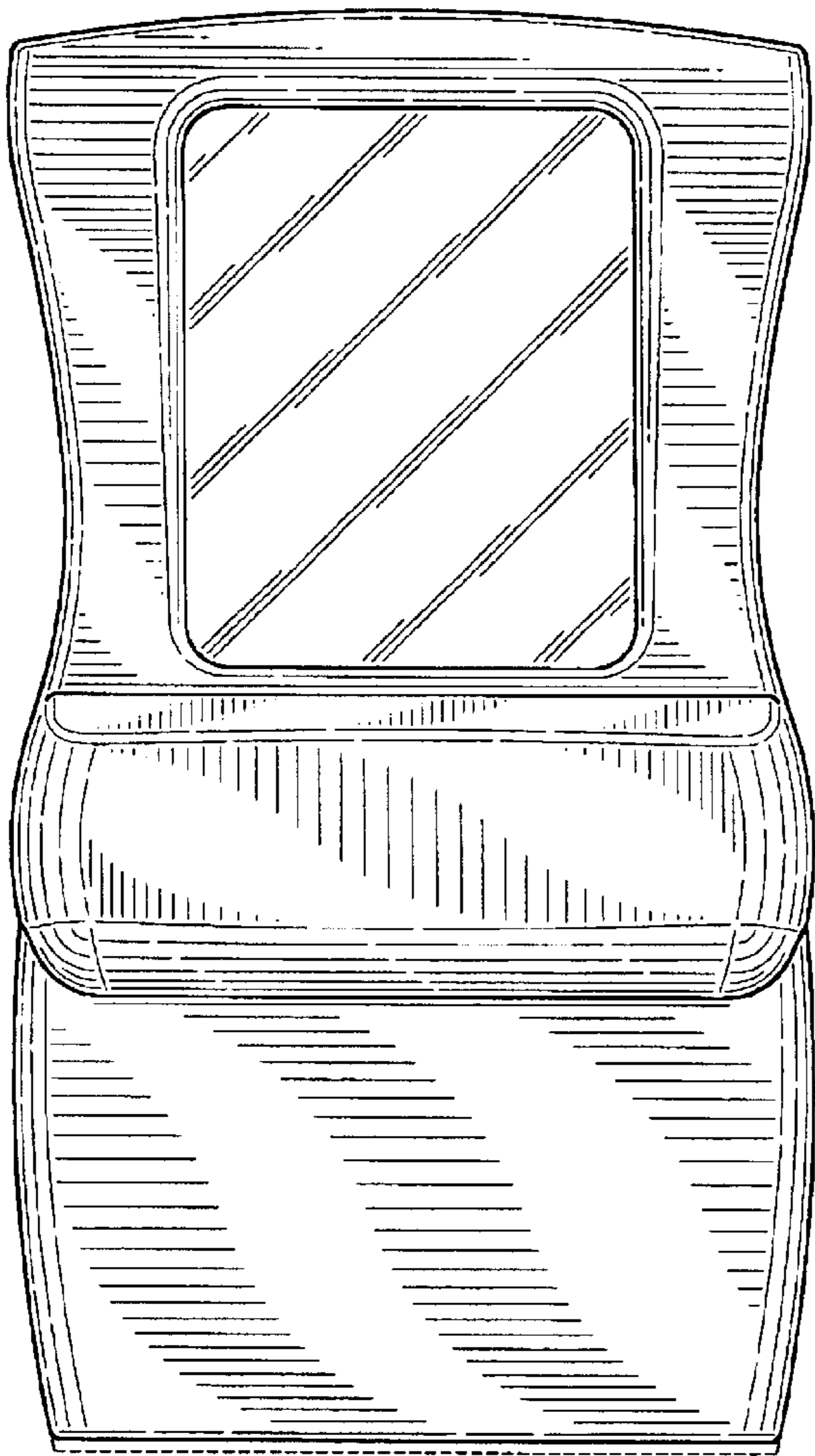


FIG-2

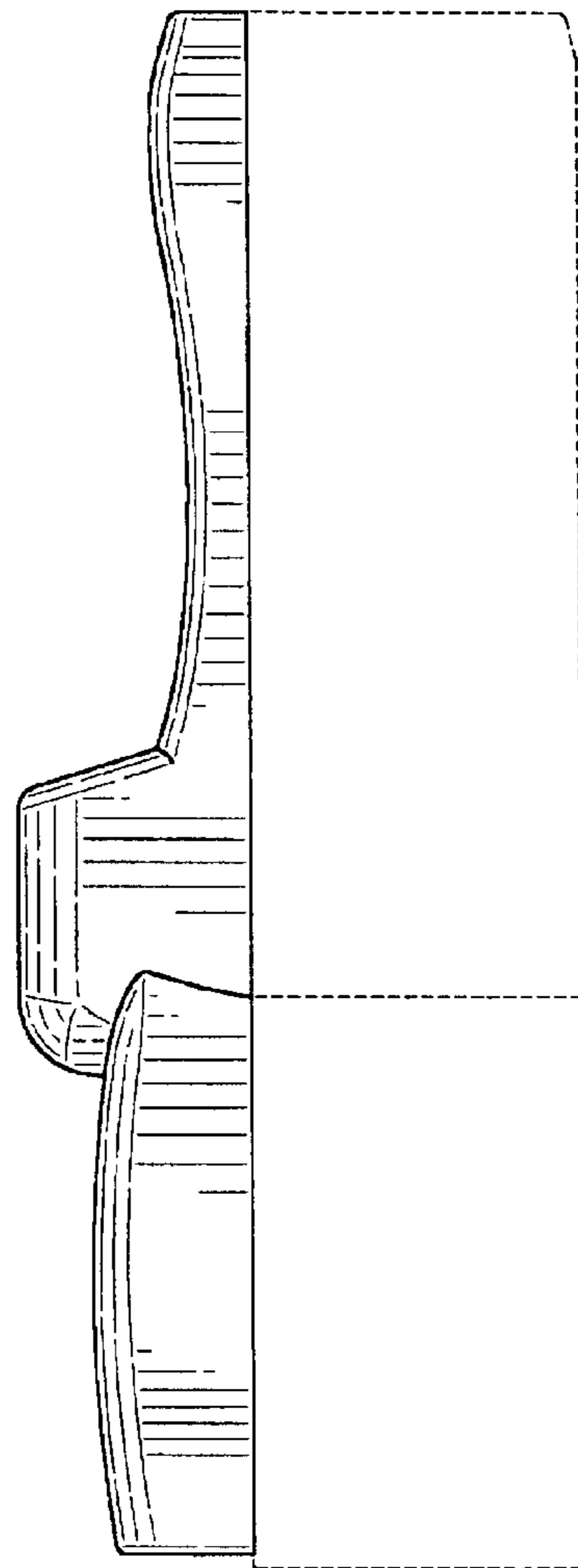


FIG-3

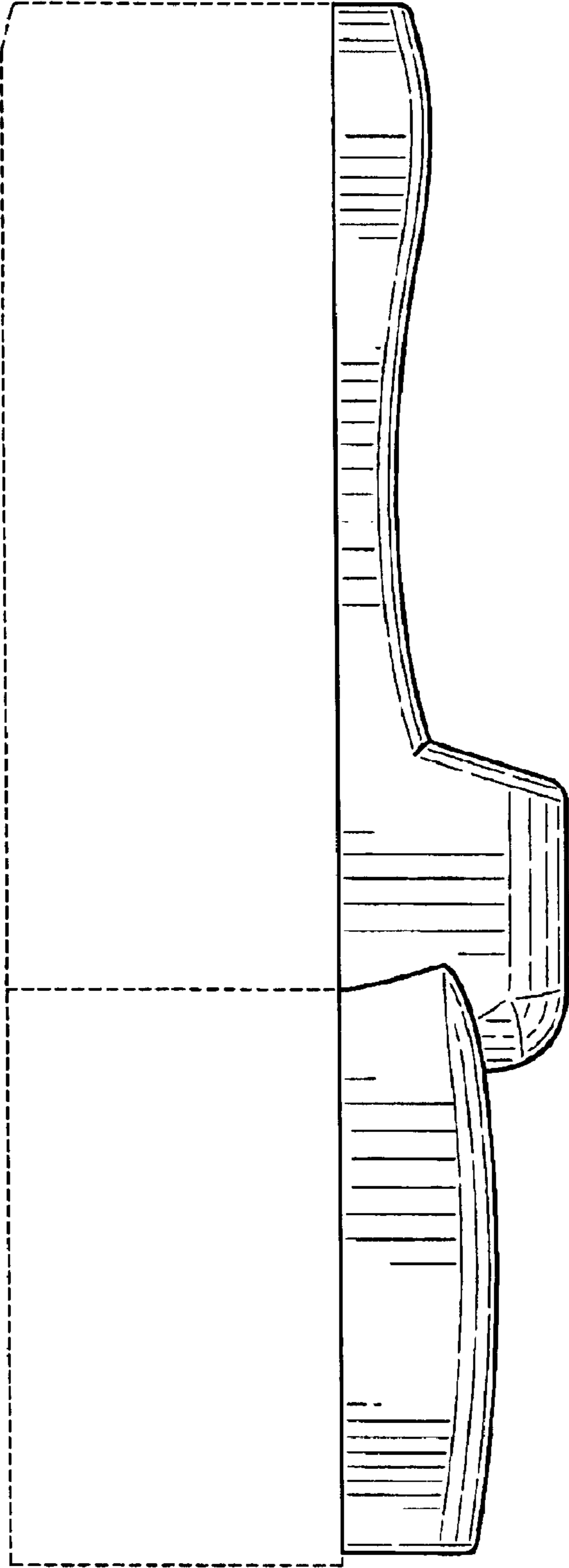


FIG-4