

US00D493843S1

(12) **United States Design Patent**  
**Jackson, Sr. et al.**

(10) **Patent No.: US D493,843 S**

(45) **Date of Patent: \*\* Aug. 3, 2004**

(54) **GAME STATION**

(76) Inventors: **Jeremiah Jackson, Sr.**, 2448 Summit Dr., Janesville, WI (US) 53545;  
**Jeremiah Jackson, Jr.**, 2448 Summit Dr., Janesville, WI (US) 53545

(\*\*) Term: **14 Years**

(21) Appl. No.: **29/196,122**

(22) Filed: **Dec. 22, 2003**

**Related U.S. Application Data**

(62) Division of application No. 29/183,410, filed on Jun. 12, 2003.

(51) **LOC (7) Cl.** ..... **21-01**

(52) **U.S. Cl.** ..... **D21/327; D21/326**

(58) **Field of Search** ..... D21/324-328,  
D21/333, 811; 273/148 B, 440, 442, 444,  
461; 463/1, 46-51

(56) **References Cited**

**U.S. PATENT DOCUMENTS**

- 4,418,911 A \* 12/1983 Bowers et al. .... 463/47
- 4,960,117 A \* 10/1990 Moncrief et al. .... 463/46
- 4,995,603 A \* 2/1991 Reed ..... 472/60

- 5,299,810 A \* 4/1994 Pierce et al. .... 463/2
- D360,901 S \* 8/1995 Slater ..... D21/326
- D380,779 S \* 7/1997 Shinzato ..... D21/326
- D384,982 S \* 10/1997 Moriyama ..... D21/327
- 5,713,794 A \* 2/1998 Shimojima et al. .... 463/36
- D392,688 S \* 3/1998 Isetani et al. .... D21/326
- D396,898 S \* 8/1998 Tsuda ..... D21/326
- D431,266 S \* 9/2000 Tomita et al. .... D21/327

\* cited by examiner

*Primary Examiner*—Prabhakar Deshmukh

(74) *Attorney, Agent, or Firm*—Keith Frantz

(57) **CLAIM**

The ornamental design for a game station, as shown and described.

**DESCRIPTION**

FIG. 1 is a front perspective view showing my new game station.

FIG. 2 is a rear perspective view thereof.

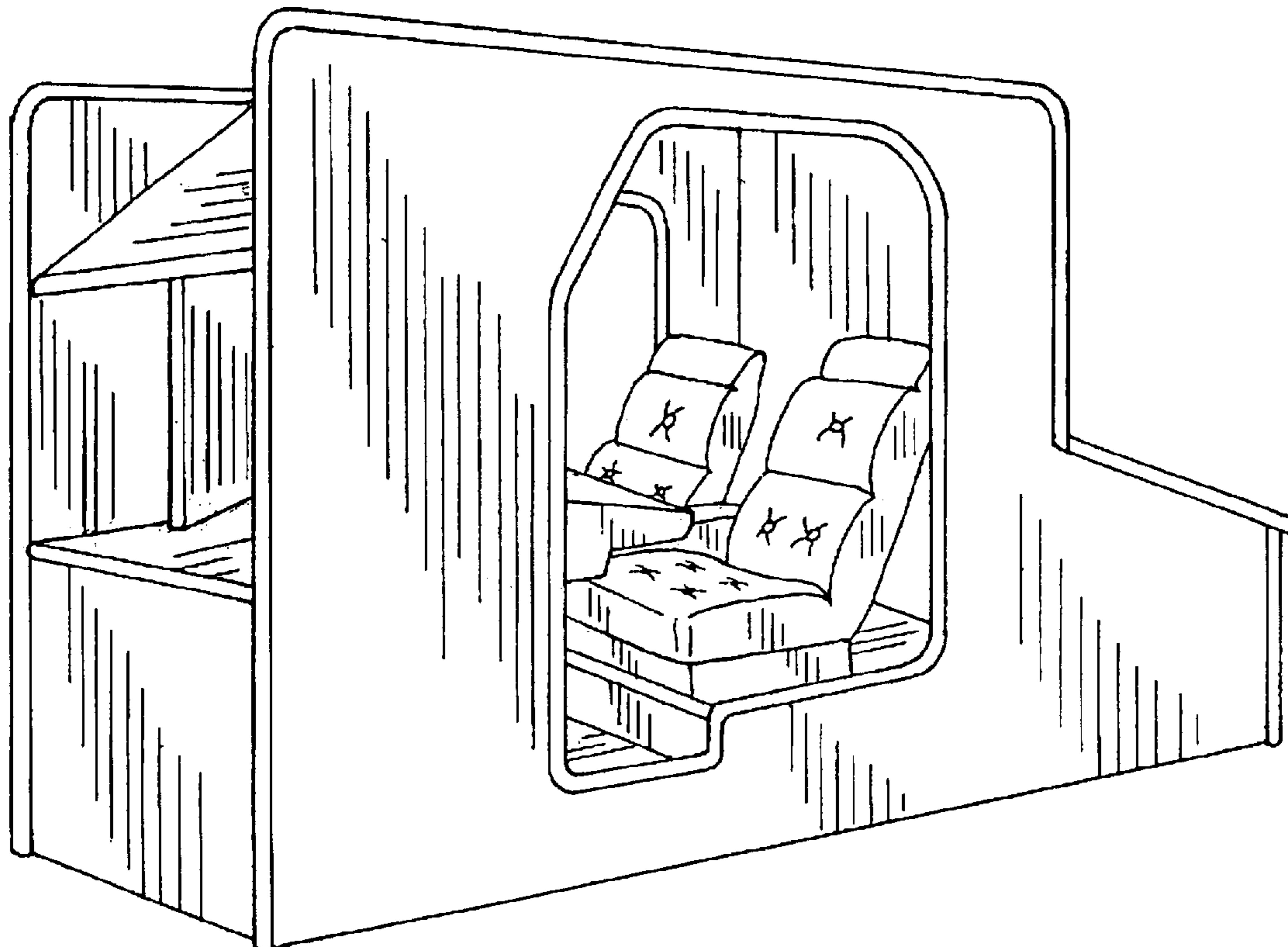
FIG. 3 is right side elevation view thereof, the left side elevation view being a mirror image thereof.

FIG. 4 is a top plan view thereof.

FIG. 5 is a top plan view similar to FIG. 4 but with the top cover removed to expose certain components thereof; and,

FIG. 6 is a front elevation view thereof.

**1 Claim, 3 Drawing Sheets**



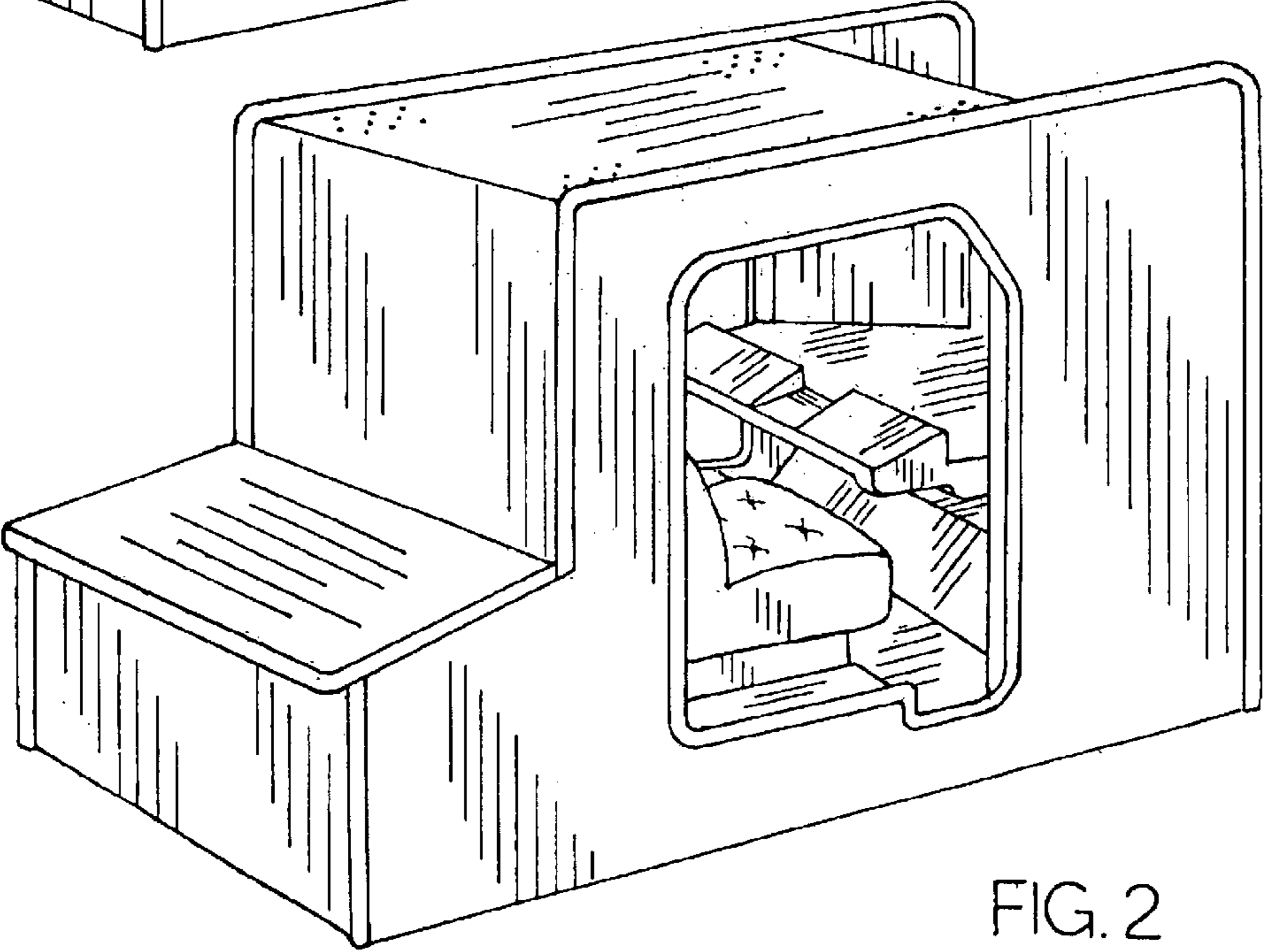
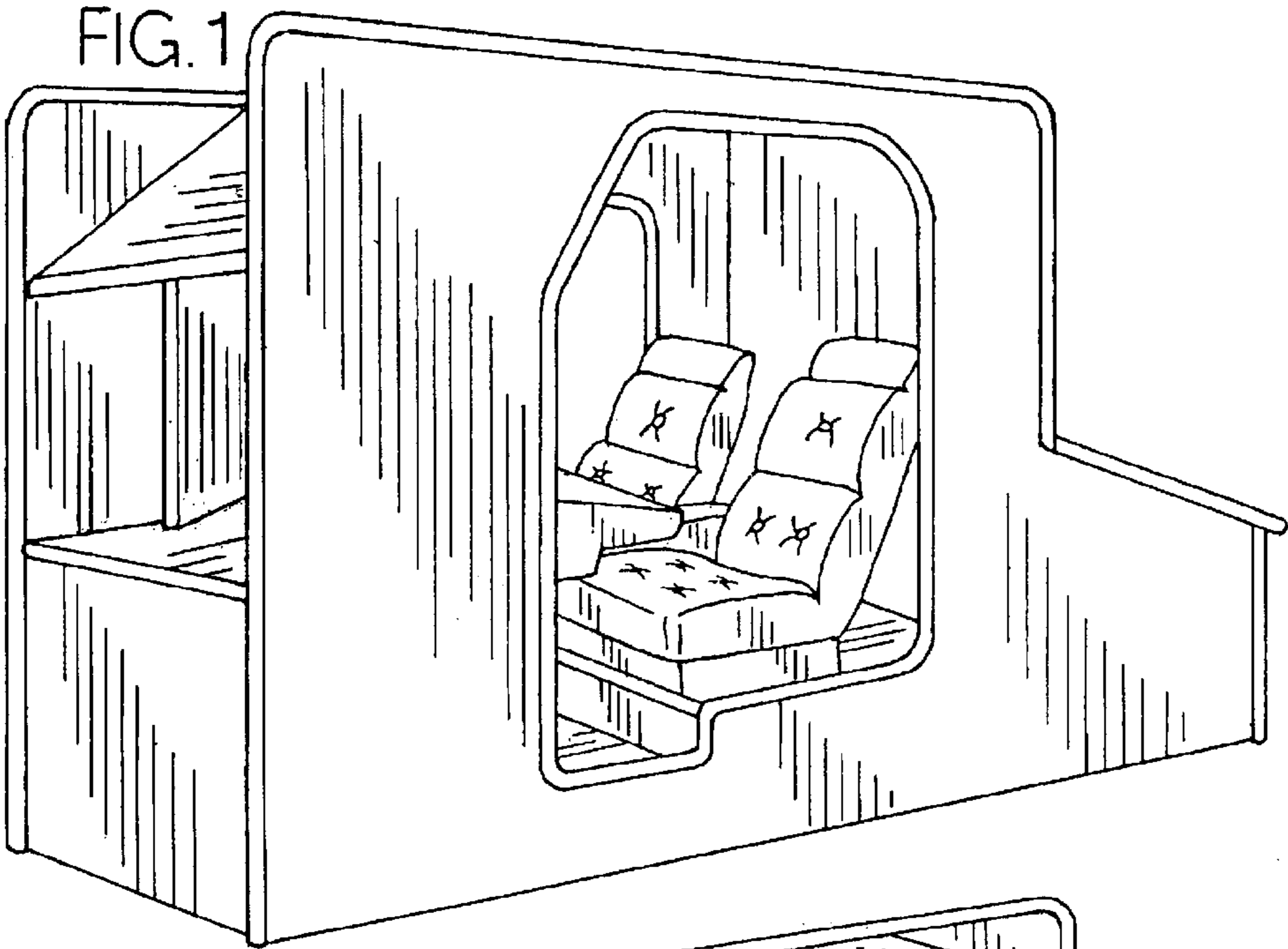


FIG. 2

FIG. 3

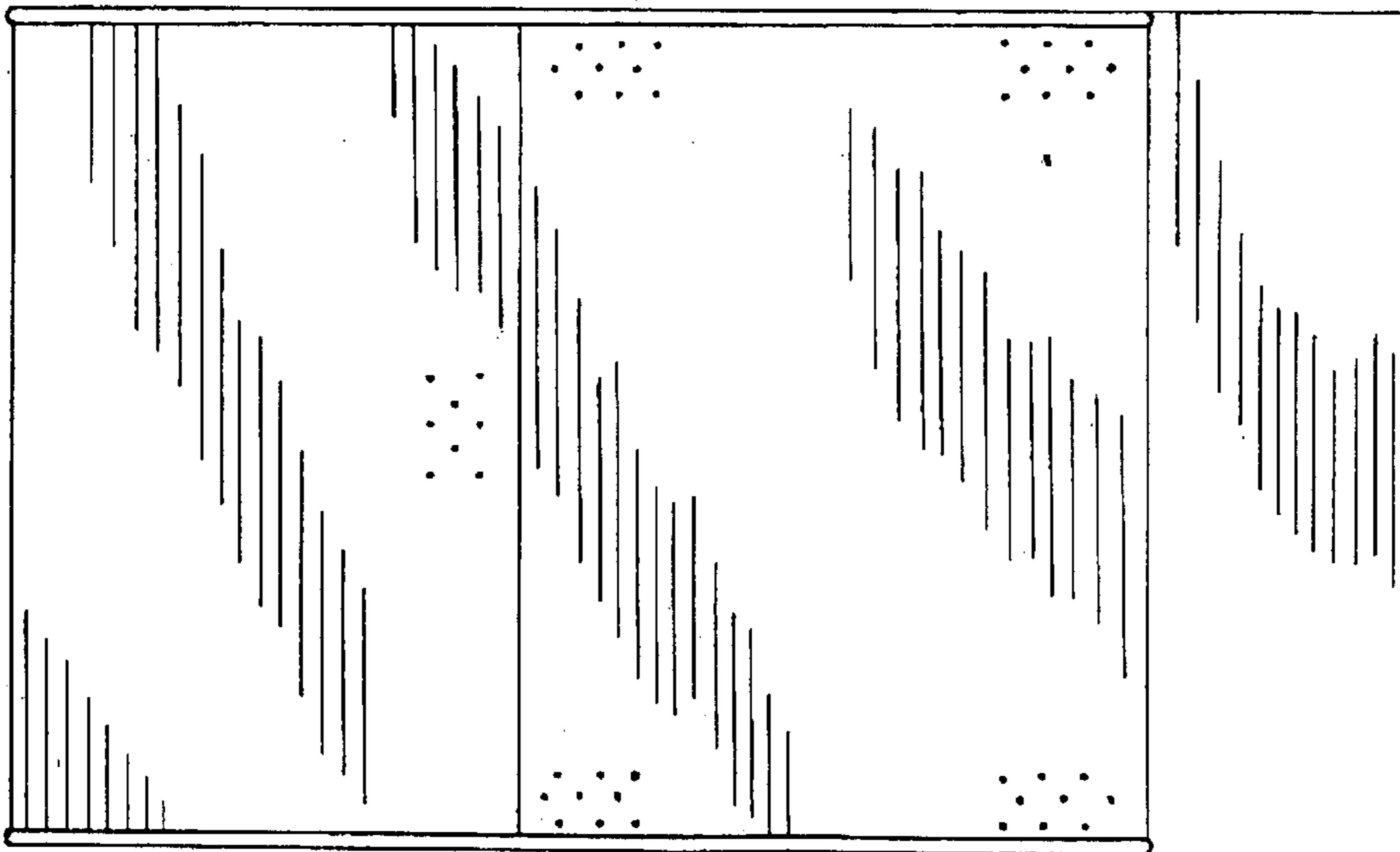
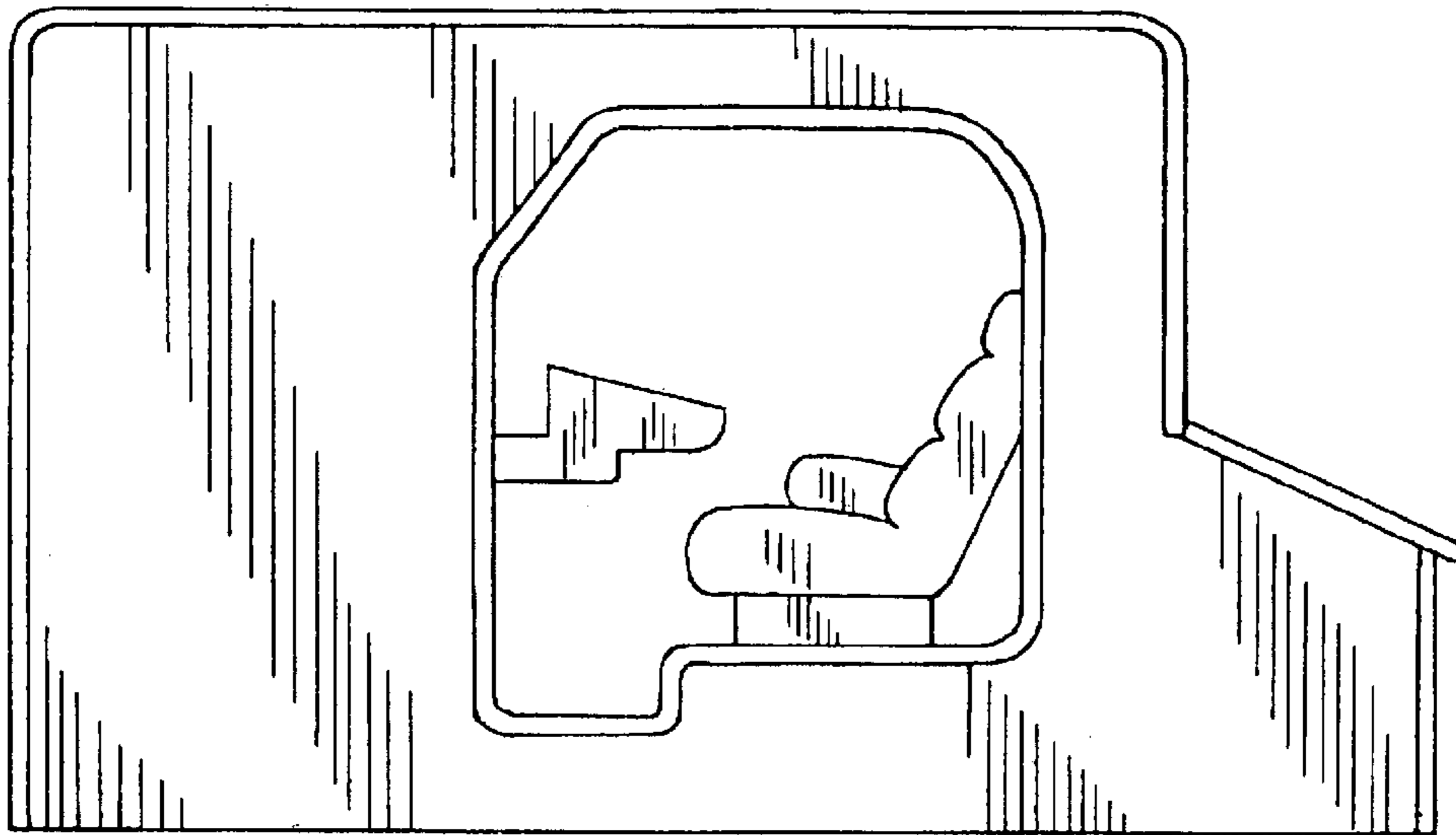


FIG. 4

FIG. 5

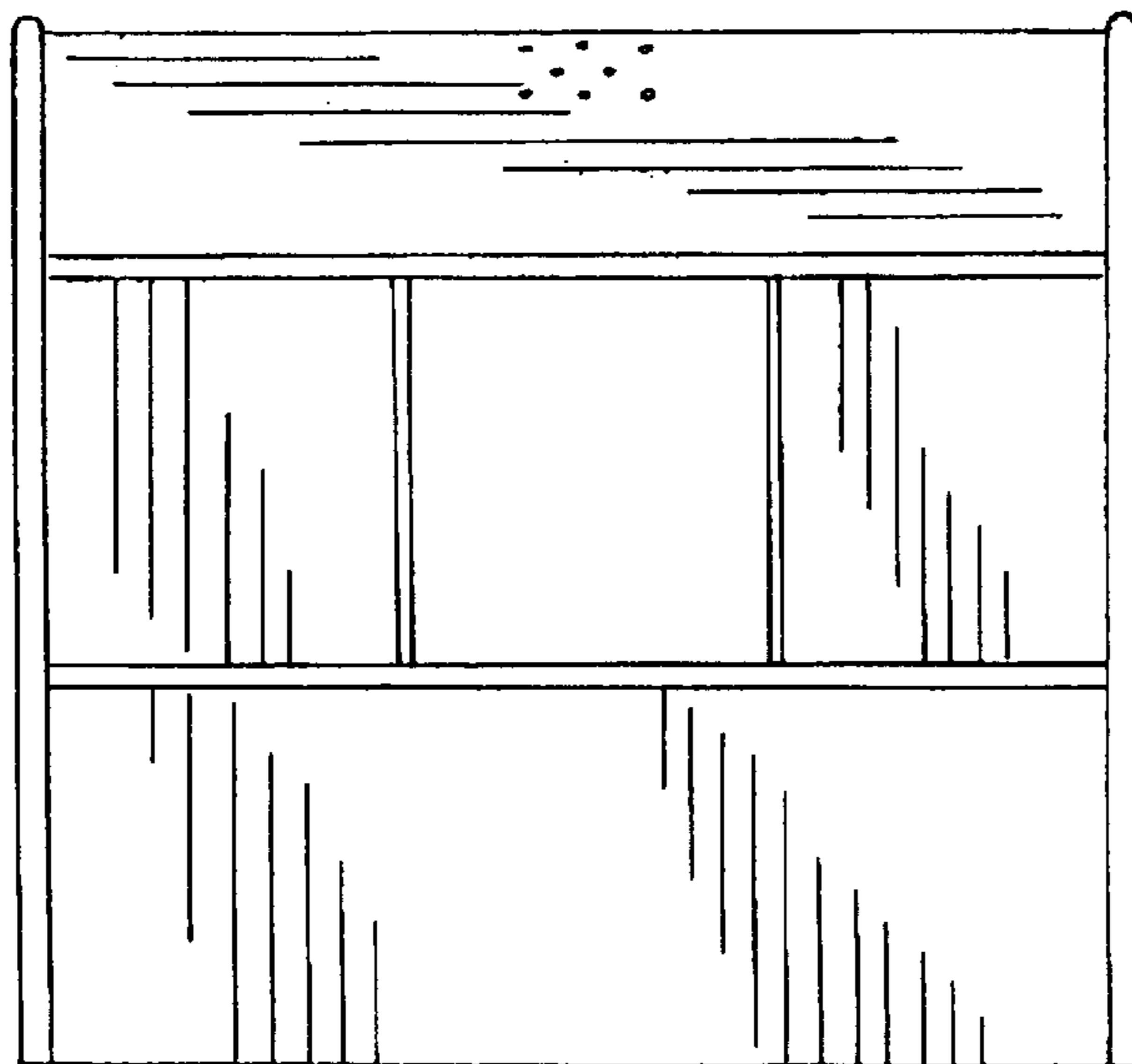
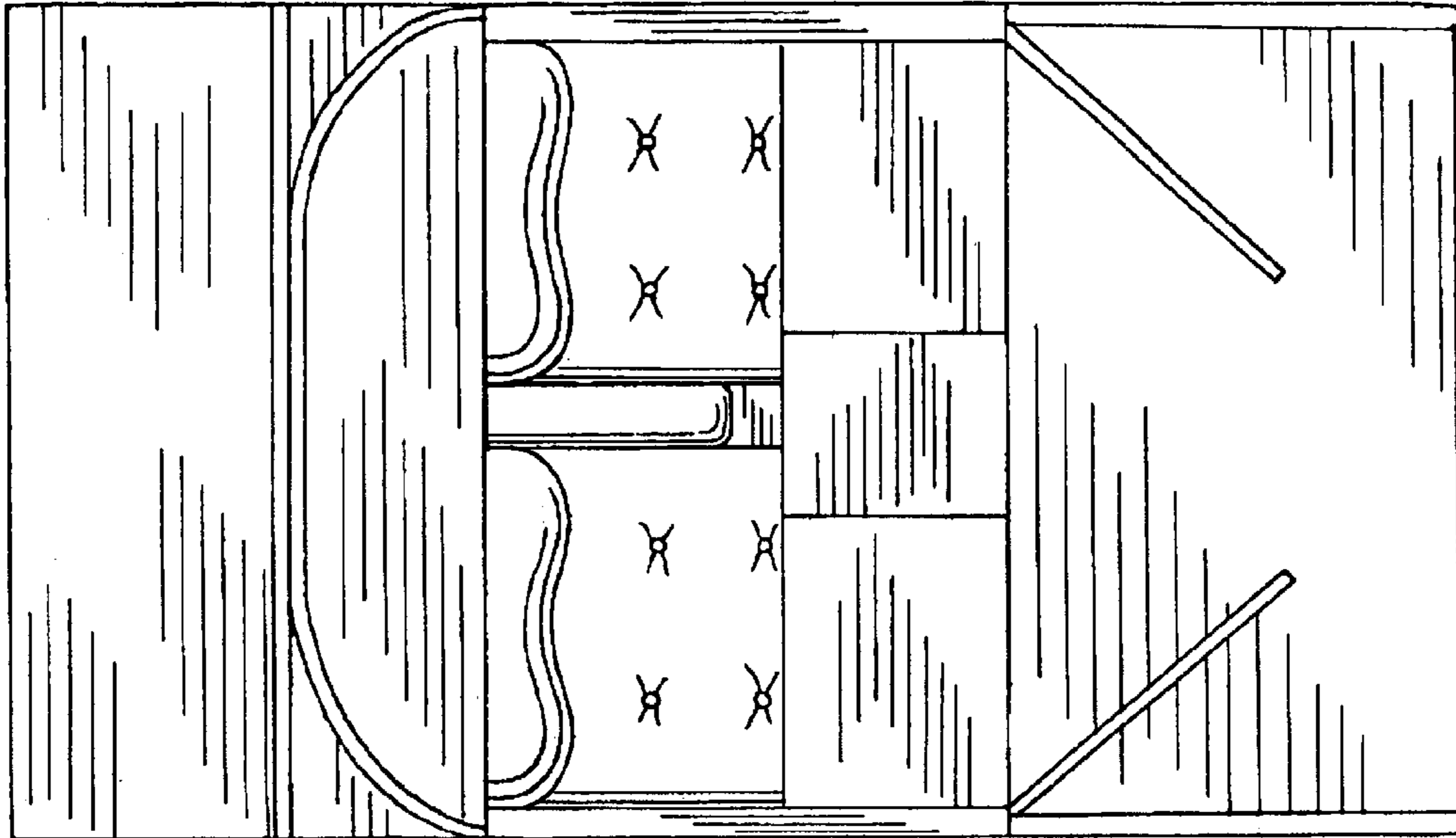


FIG. 6