

US00D493842S1

(12) **United States Design Patent** (10) **Patent No.:** **US D493,842 S**
Norcross et al. (45) **Date of Patent:** **** Aug. 3, 2004**

(54) **HOUSING FOR A PHOTOVOLTAICALLY ILLUMINATED ADVERTISING DISPLAY**

(75) Inventors: **Steven Linn Norcross**, Homer, IL (US); **Myles Francis Anderberg**, Palm City, FL (US)

(73) Assignee: **Solar Outdoor Lighting, Inc.**, Palm City, FL (US)

(**) Term: **14 Years**

(21) Appl. No.: **29/194,821**

(22) Filed: **Dec. 2, 2003**

Related U.S. Application Data

(62) Division of application No. 29/177,137, filed on Mar. 4, 2003, now Pat. No. Des. 486,188.

(51) **LOC (7) Cl.** **20-03**

(52) **U.S. Cl.** **D20/43**

(58) **Field of Search** D20/39, 41, 99; D26/51, 56, 67; 40/442, 541-2, 546, 559; 136/291; 362/376, 183

(56) **References Cited**

U.S. PATENT DOCUMENTS

4,009,051 A * 2/1977 Kazis et al. 320/102
 4,144,664 A * 3/1979 De Korte 40/609

4,484,104 A * 11/1984 O'Brien 315/86
 4,718,185 A * 1/1988 Conlin et al. 40/442
 5,615,503 A * 4/1997 Current 40/601
 D410,036 S * 5/1999 Washington D20/41
 D413,934 S * 9/1999 Kleihues D20/41
 D466,942 S * 12/2002 Geyer D20/10

* cited by examiner

Primary Examiner—Robert M. Spear

(74) *Attorney, Agent, or Firm*—Gifford, Krass, Groh, Sprinkle, Anderson & Citowski, P.C.

(57) **CLAIM**

We claim the ornamental design for a housing for a photovoltaically illuminated advertising display, as shown.

DESCRIPTION

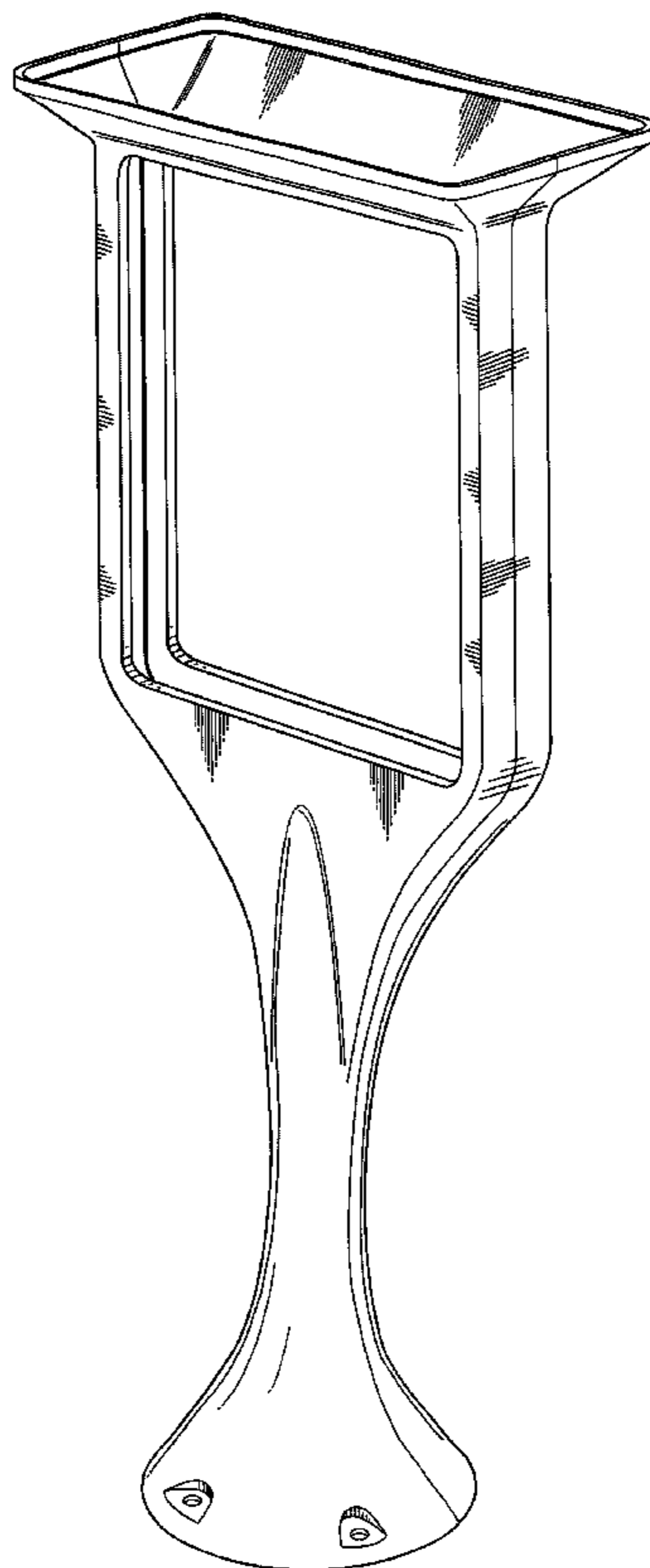
FIG. 1 is a perspective view of a housing for a photovoltaically illuminated advertising display showing the ornamental features thereof;

FIG. 2 is a front elevational view of the housing of FIG. 1, it being understood that the rear elevational view is identical;

FIG. 3 is a left side elevational view of the housing of FIG. 1, it being understood that the right side elevational view is identical;

FIG. 4 is a top plan view of the housing of FIG. 1; and, FIG. 5 is a bottom plan view of the housing of FIG. 1.

1 Claim, 3 Drawing Sheets



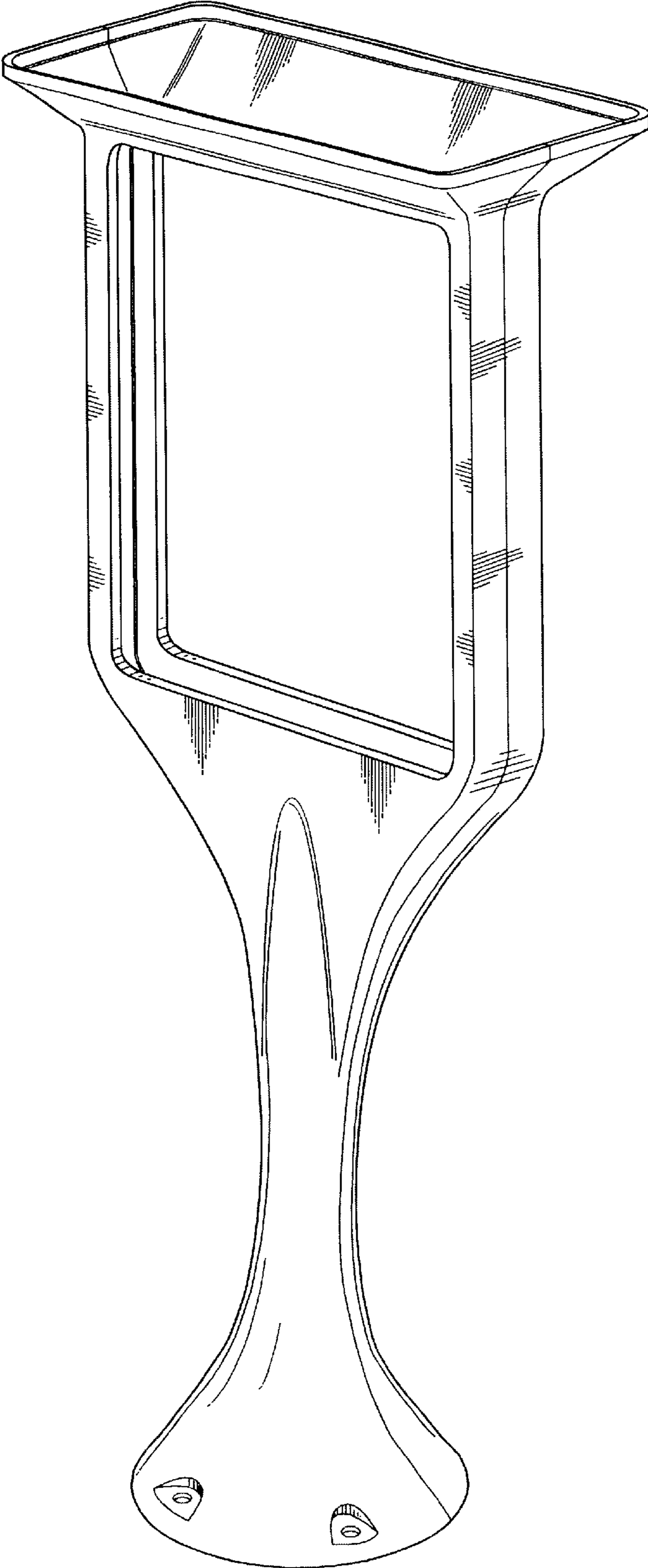


FIG - 1

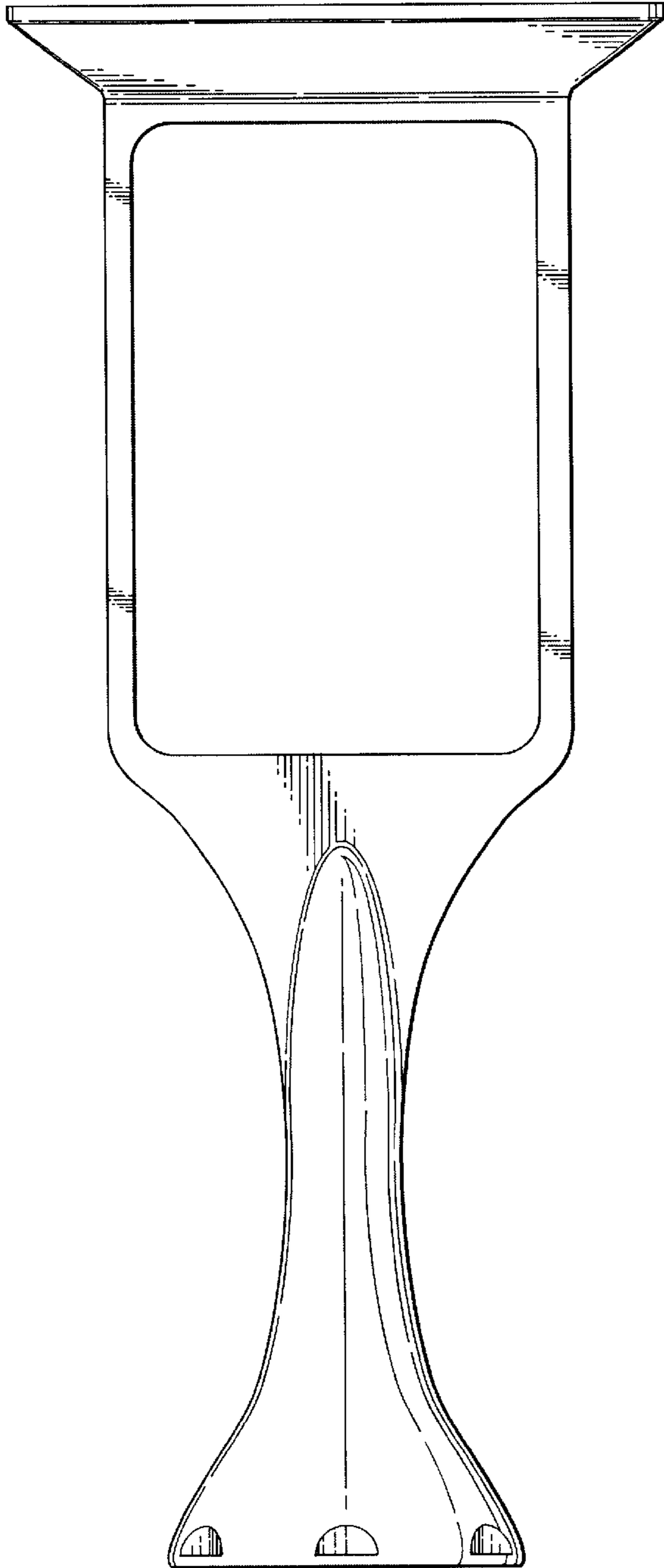


FIG - 2

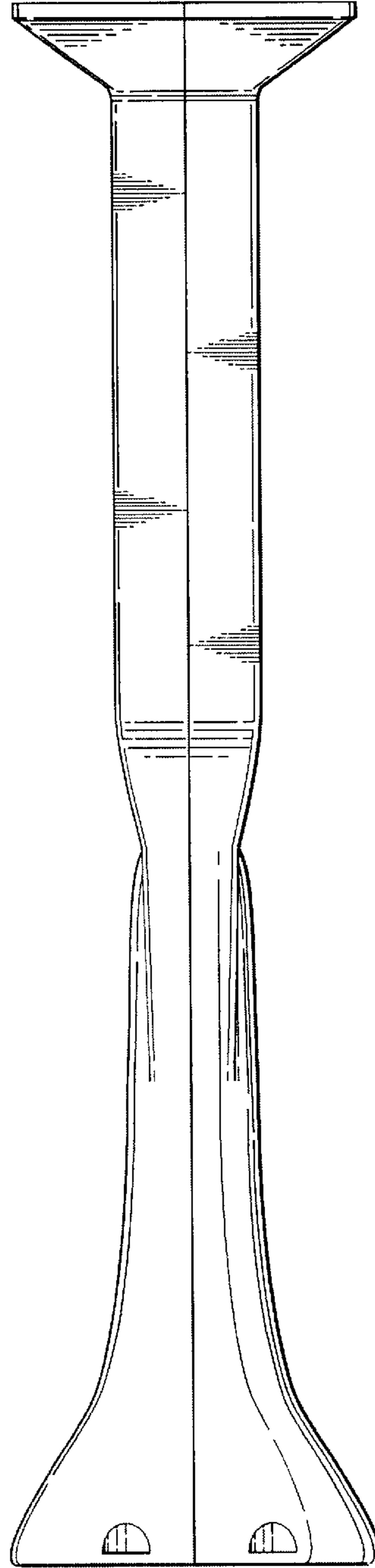


FIG - 3

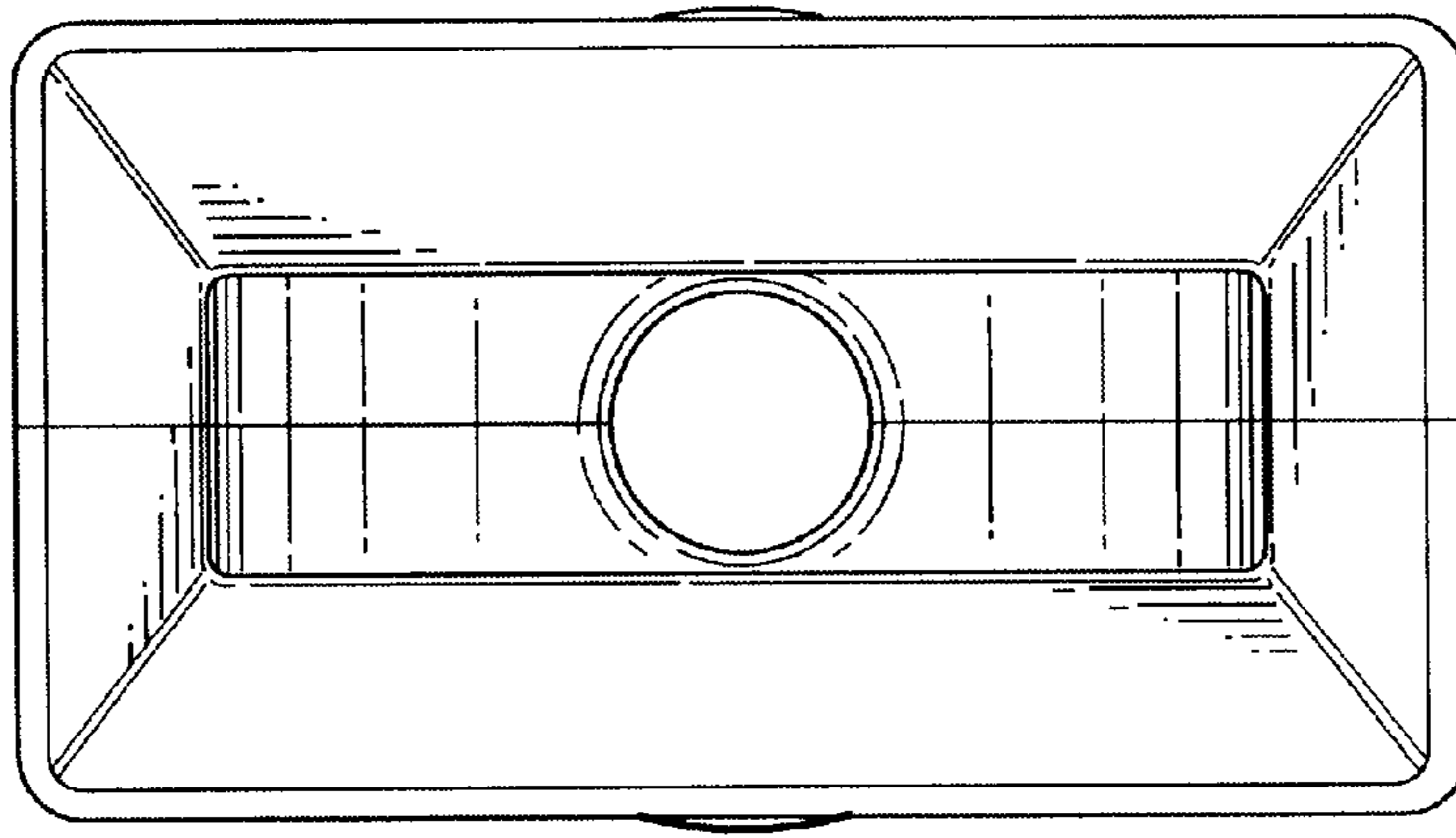


FIG - 4

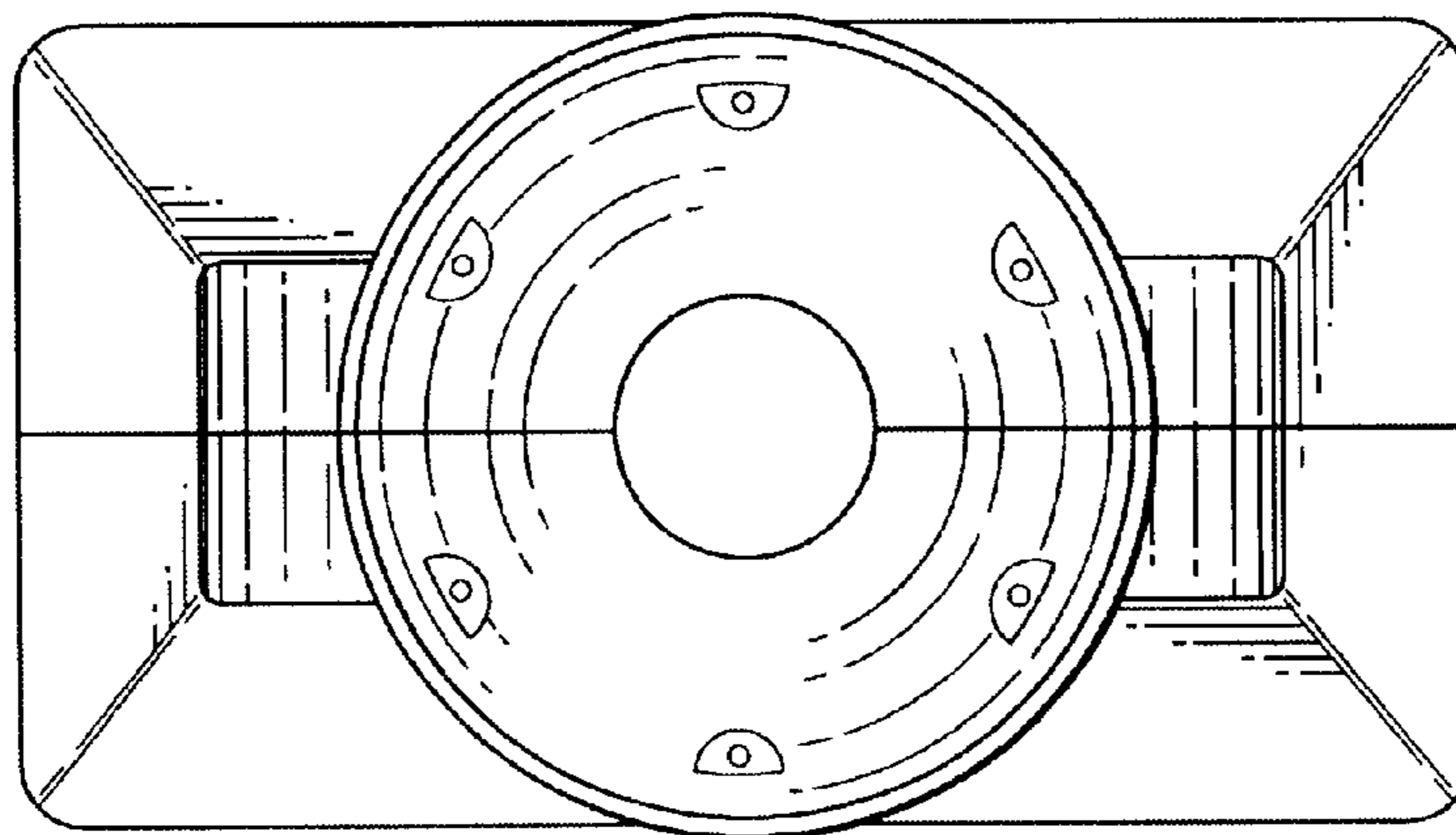


FIG - 5