

US00D493837S1

(12) **United States Design Patent** (10) **Patent No.:** **US D493,837 S**
Leins (45) **Date of Patent:** **** Aug. 3, 2004**

(54) **MULTI PURPOSE HAND OPERATED OFFICE UTENSIL**

- (75) Inventor: **Hanspeter Leins**, Nagold (DE)
- (73) Assignee: **Ctech AG**, Landquart (CH)
- (**) Term: **14 Years**
- (21) Appl. No.: **29/159,624**
- (22) Filed: **Apr. 23, 2002**

Related U.S. Application Data

- (62) Division of application No. 29/129,536, filed on Aug. 29, 2000, now Pat. No. Des. 464,679, which is a continuation of application No. 29/099,577, filed on Jan. 22, 1999, now Pat. No. Des. 448,410.

(30) **Foreign Application Priority Data**

Jul. 23, 1998 (WO) DM/044 810

- (51) **LOC (7) Cl.** **19-02**
- (52) **U.S. Cl.** **D19/65; D8/105**
- (58) **Field of Search** **D8/98, 104, 105; D19/65, 75, 77, 81-85, 99, 100; 7/118, 119, 160, 163, 164, 167, 170; 30/152**

(56) **References Cited**

U.S. PATENT DOCUMENTS

662,005 A 11/1900 Lewis

(List continued on next page.)

FOREIGN PATENT DOCUMENTS

DE P.A. 1980350-3458 6/1958

(List continued on next page.)

OTHER PUBLICATIONS

Brochure, "Wenger, The Genuine Swiss Army Knife", 27 pages.

(List continued on next page.)

Primary Examiner—Martie K. Holtje

(74) *Attorney, Agent, or Firm*—Brinks Hofer Gilson & Lione

(57) **CLAIM**

The ornamental design for a multi purpose hand operated office utensil, as shown and described.

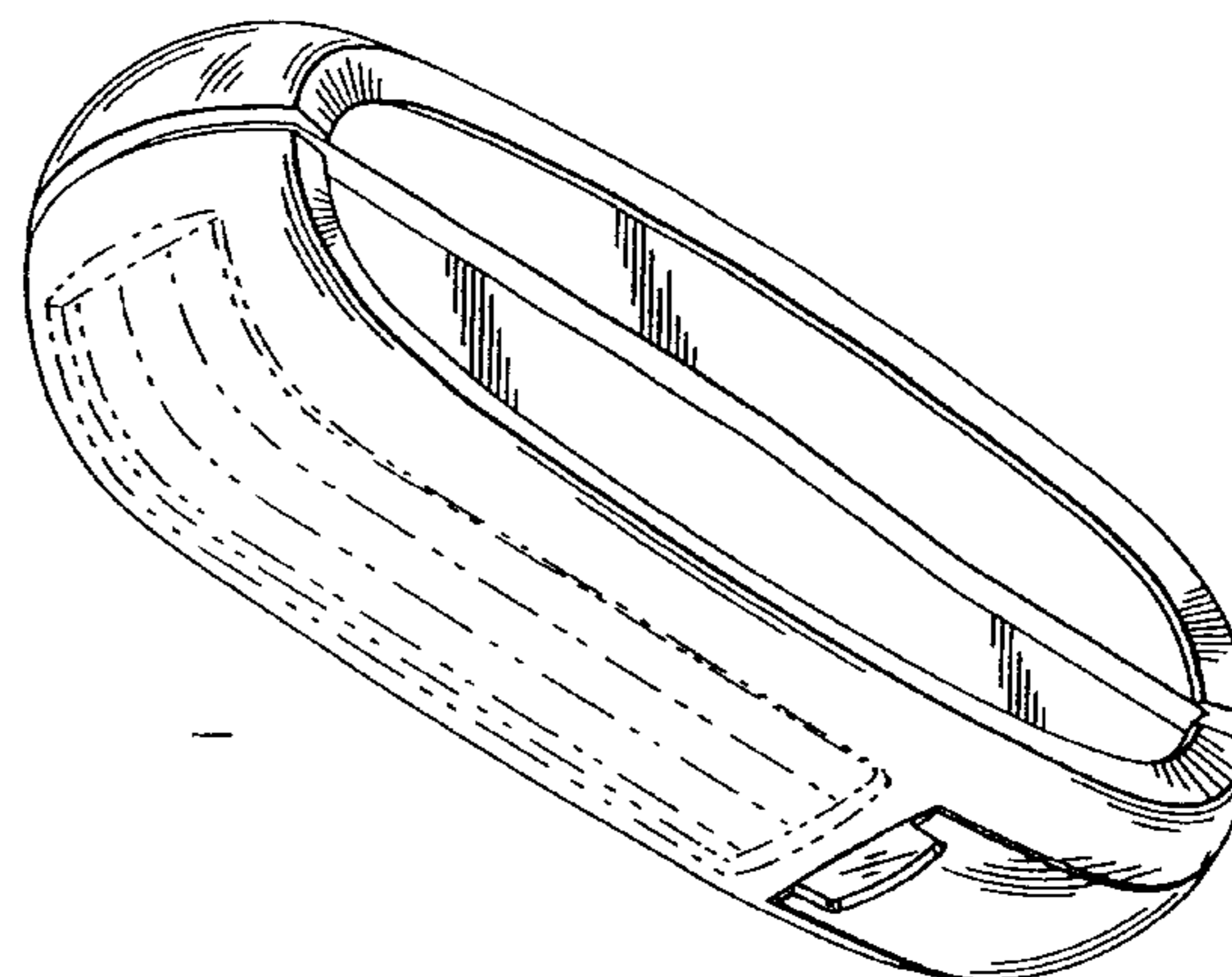
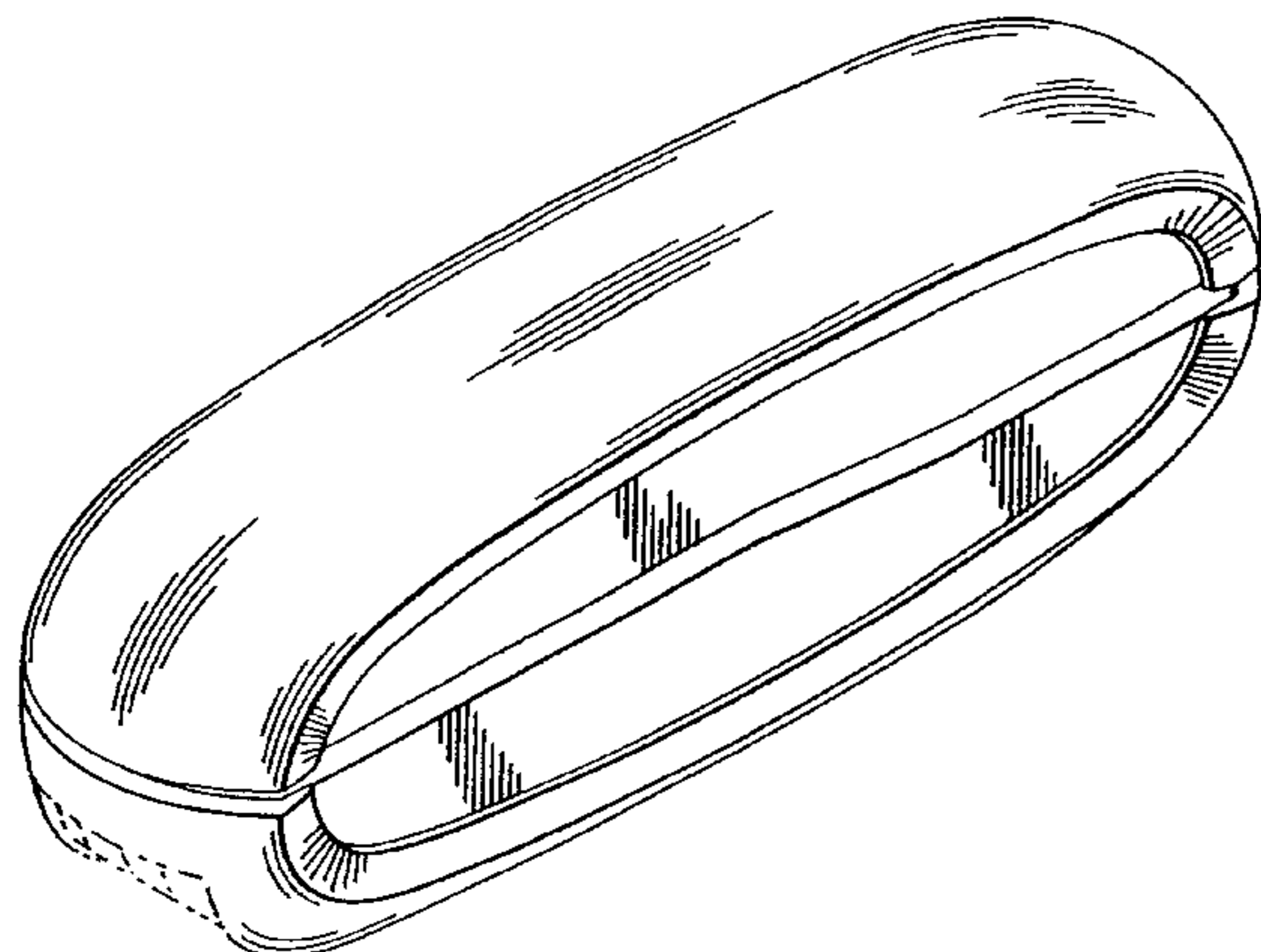
DESCRIPTION

FIG. 1 is a first perspective view of a multi purpose hand operated office utensil showing my new design; FIG. 2 is a second perspective view of FIG. 1; FIG. 3 is a third perspective view of FIG. 1; FIG. 4 is a fourth perspective view of FIG. 1; FIG. 5 is a front elevational view of FIG. 1; FIG. 6 is a rear elevational view of FIG. 1; FIG. 7 is a rightside elevational view of FIG. 1; FIG. 8 is a leftside elevational view of FIG. 1; FIG. 9 is a top plan view of FIG. 1; FIG. 10 is a bottom plan view of FIG. 1; FIG. 11 is another perspective view of my new design of FIG. 1; FIG. 12 is a second perspective view of FIG. 11; FIG. 13 is a third perspective view of FIG. 11; FIG. 14 is a fourth perspective view of FIG. 11; FIG. 15 is a front elevational view of FIG. 11; FIG. 16 is a rear elevational view of FIG. 11; FIG. 17 is a rightside elevational view of FIG. 11; FIG. 18 is a leftside elevational view of FIG. 11; FIG. 19 is a top plan view of FIG. 11; FIG. 20 is a bottom plan view of FIG. 11; FIG. 21 is another perspective view of my new design of FIG. 1; FIG. 22 is a second perspective view of FIG. 21; FIG. 23 is a third perspective view of FIG. 21; FIG. 24 is a fourth perspective view of FIG. 21; FIG. 25 is a front elevational view of FIG. 21; FIG. 26 is a rear elevational view of FIG. 21; FIG. 27 is a rightside elevational view of FIG. 21; FIG. 28 is a leftside elevational view of FIG. 21; FIG. 29 is a top plan view of FIG. 21; and, FIG. 30 is a bottom plan view of FIG. 21.

The features shown in dotted lines form no part of the claimed design.

In all embodiments the top and bottom shells may have the same or a different color as the side walls.

1 Claim, 15 Drawing Sheets



U.S. PATENT DOCUMENTS

790,432 A 5/1905 Heilrath
 857,459 A 6/1907 Hendrickson
 2,264,322 A 12/1941 Maynard 1/3
 2,486,500 A 11/1949 Shocket 1/49
 2,726,393 A 12/1955 Vogel 1/3.05
 3,315,295 A 4/1967 Jeter, Jr., et al.
 3,640,443 A 2/1972 Itagaki 227/120
 3,907,190 A 9/1975 Mitsuhashi 227/127
 3,951,325 A 4/1976 Mitsuhashi 227/76
 4,002,281 A 1/1977 Hsu 227/63
 4,114,793 A 9/1978 Hsu 227/63
 4,240,572 A 12/1980 Mitsuhashi 227/76
 4,288,018 A 9/1981 Taniguchi 227/76
 4,491,261 A 1/1985 Mitsuhashi 227/76
 4,640,451 A 2/1987 Steiner et al. 227/76
 4,727,610 A 3/1988 Lin 7/160
 4,729,170 A 3/1988 Hartmeister 30/363
 4,779,785 A 10/1988 Amagaya 227/76
 4,783,867 A 11/1988 Tsao
 4,794,692 A 1/1989 Wang
 D302,102 S 7/1989 Amagaya
 D318,070 S 7/1991 Amagaya
 5,114,257 A 5/1992 Hsu 401/195
 5,184,765 A 2/1993 Orozco 227/27
 5,584,124 A 12/1996 Marthaler et al. 30/363
 5,655,697 A 8/1997 Yeh 227/27
 D402,313 S 12/1998 Tzeng
 D415,201 S 10/1999 Leins
 D425,125 S 5/2000 Leins

D434,073 S 11/2000 Leins
 D436,130 S 1/2001 Leins
 D437,615 S 2/2001 Leins
 D441,020 S 4/2001 Leins
 D448,410 S 9/2001 Leins
 D460,339 S * 7/2002 Lin D8/105
 D463,494 S * 9/2002 Mori D19/65
 D464,679 S 10/2002 Leins
 D472,931 S * 4/2003 Leins D19/65

FOREIGN PATENT DOCUMENTS

DE 26 25 749 A1 12/1977
 DE 4021645 A1 2/1991
 DE 41 10 688 A1 9/1991
 EP 0 306 678 A2 3/1989
 GB 2 186 227 A 8/1987
 GB 2196896 A 4/1988
 JP 08112781 A 5/1996
 WO WO 84/01739 5/1984

OTHER PUBLICATIONS

Brochure, "Wenger, The Genuine Swiss Army Knife™", 8 pages.
 Six photographs showing top, bottom, left-side, right-side, front, and rear views of "MoMA PLUS" device.
 WIPO International Designs Bulletin Issue No. 01/1997 (DM/038962), published Mar. 27, 1997.

* cited by examiner

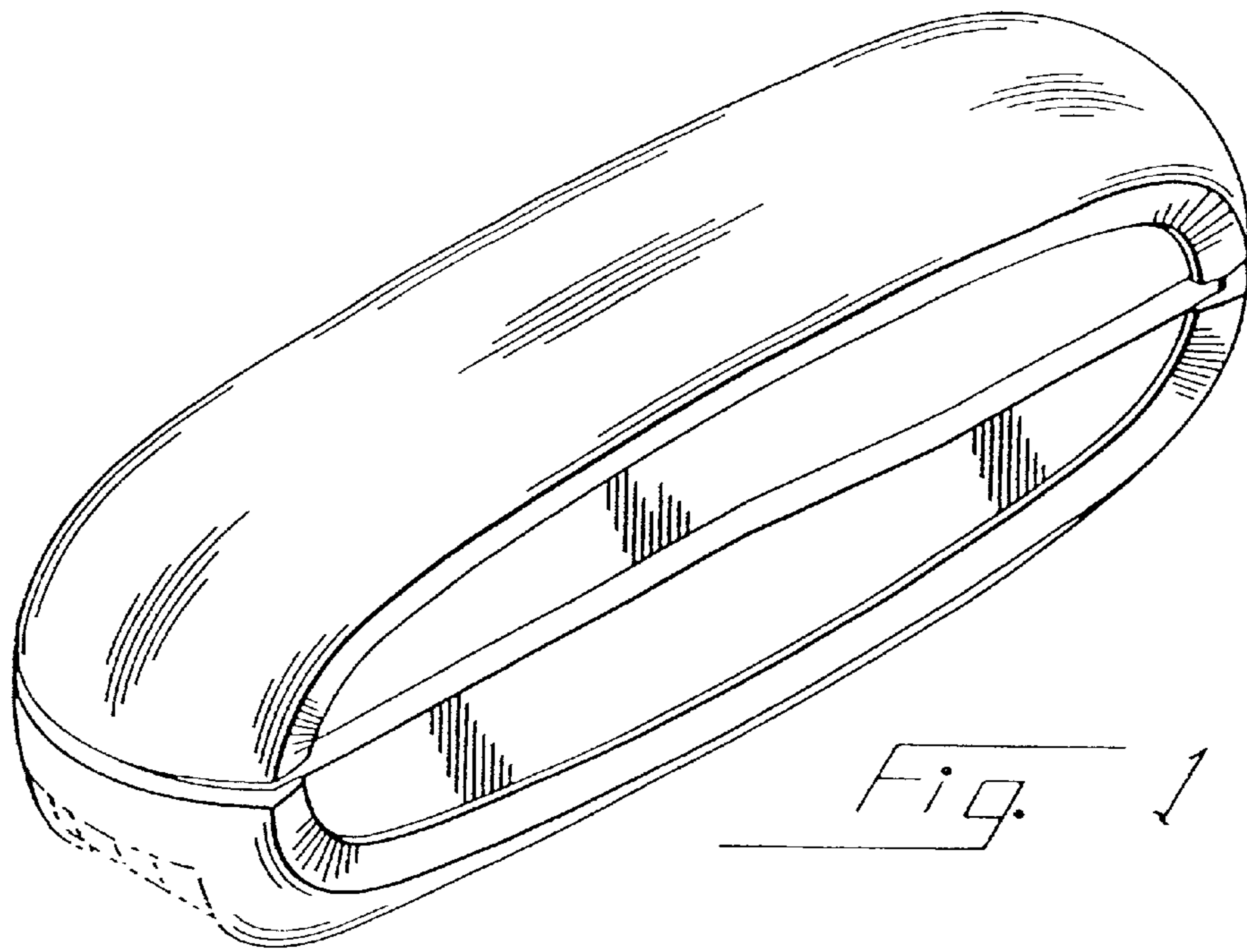


Fig. 1

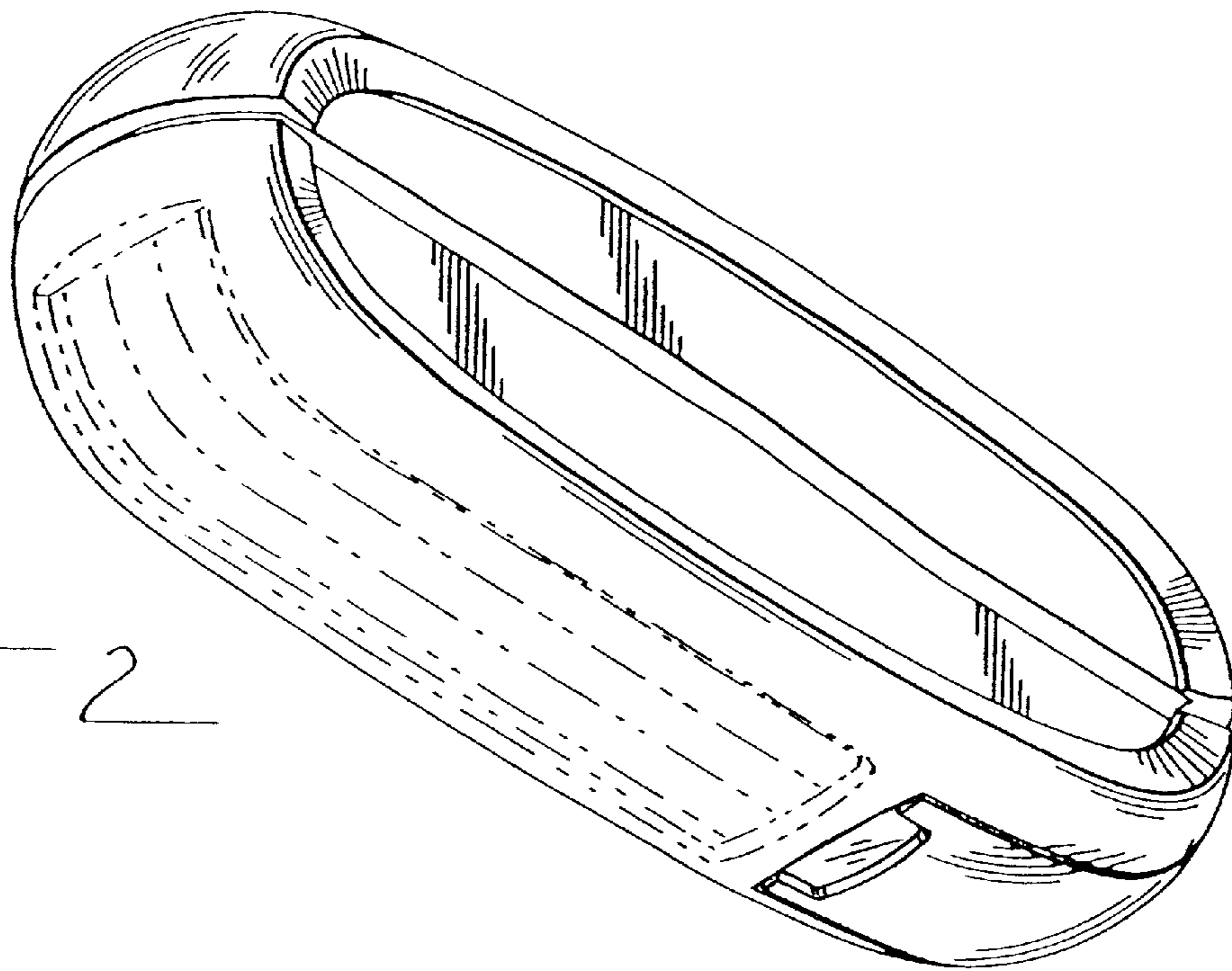


Fig. 2

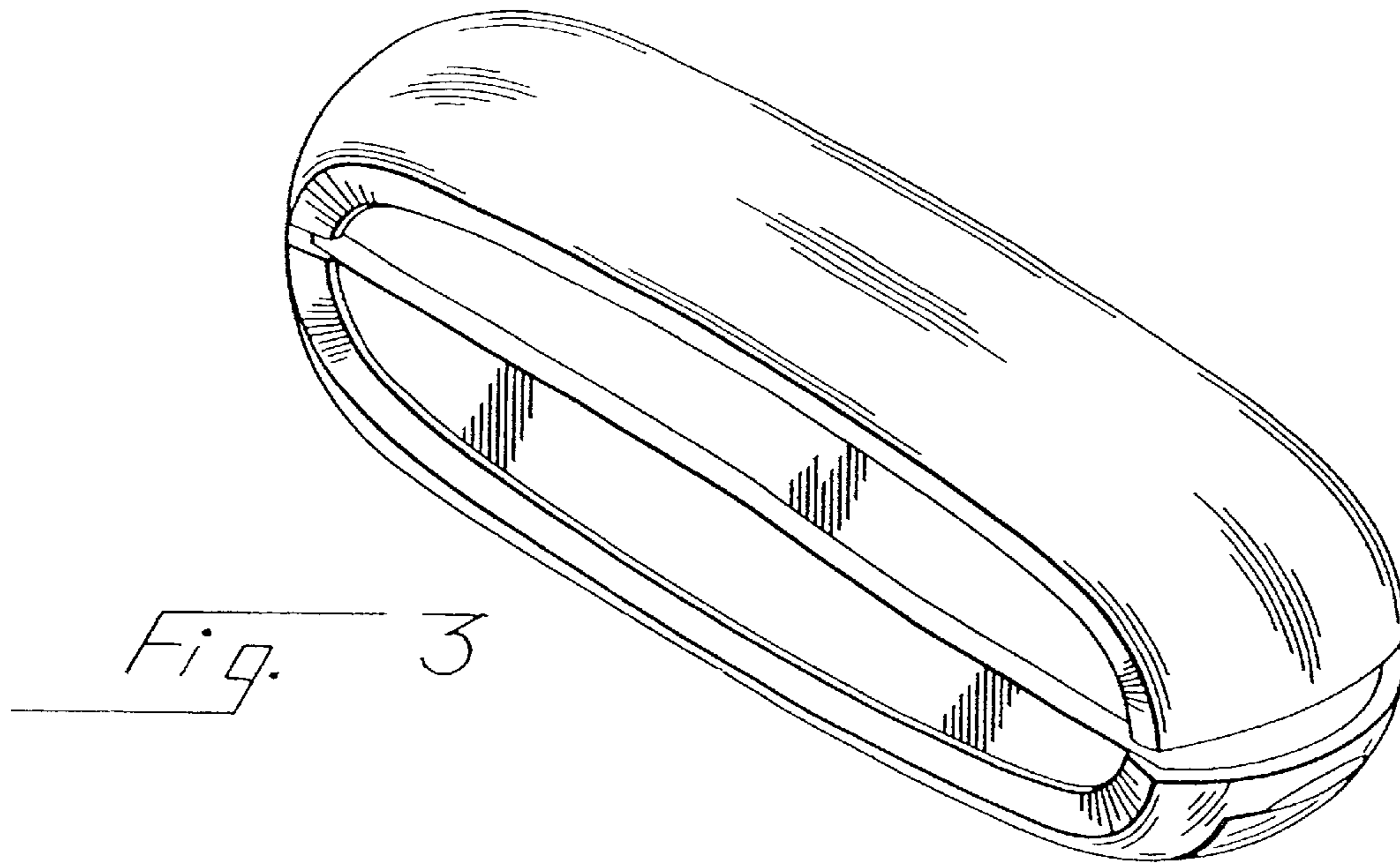


Fig. 3

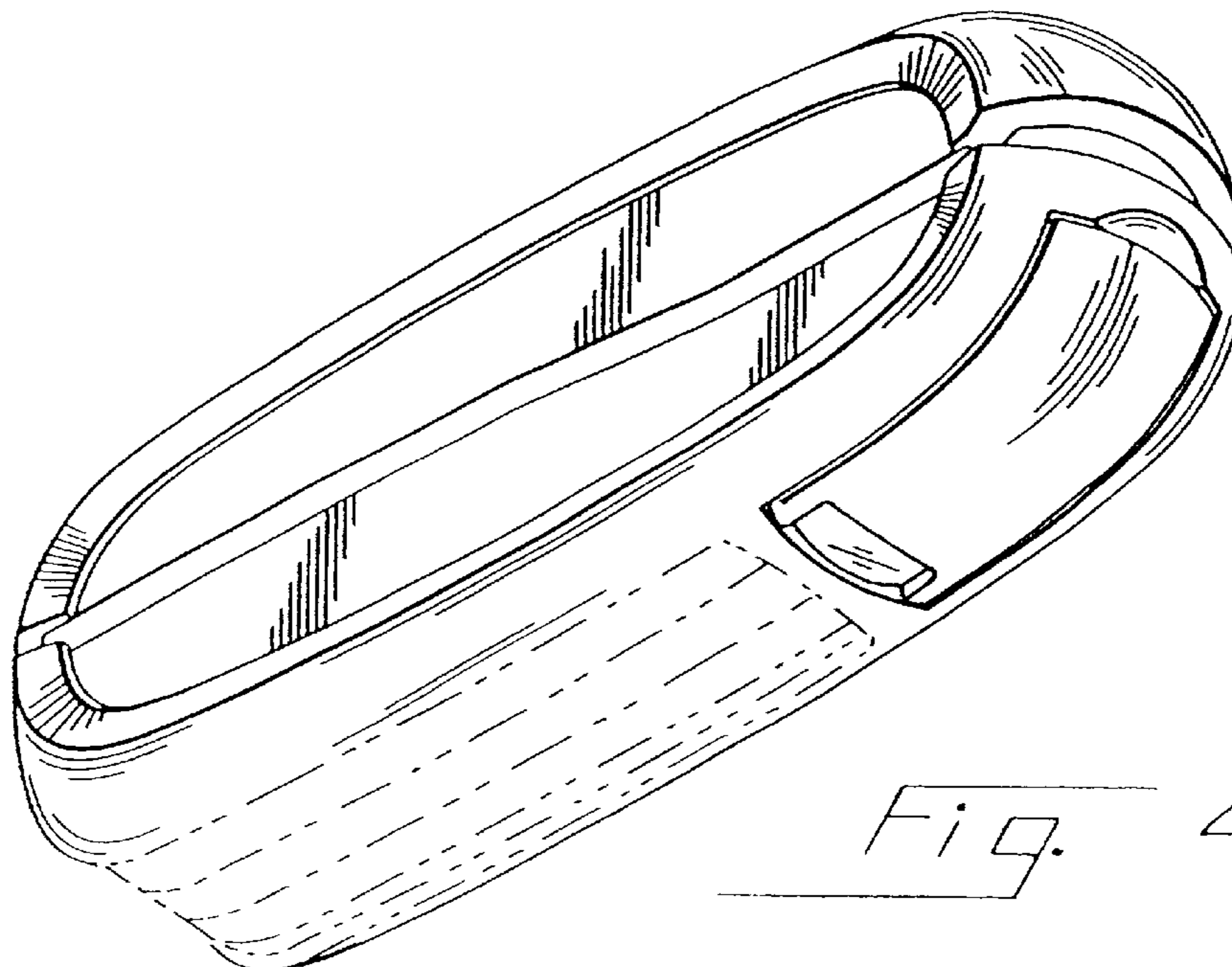


Fig. 4

Fig. 5

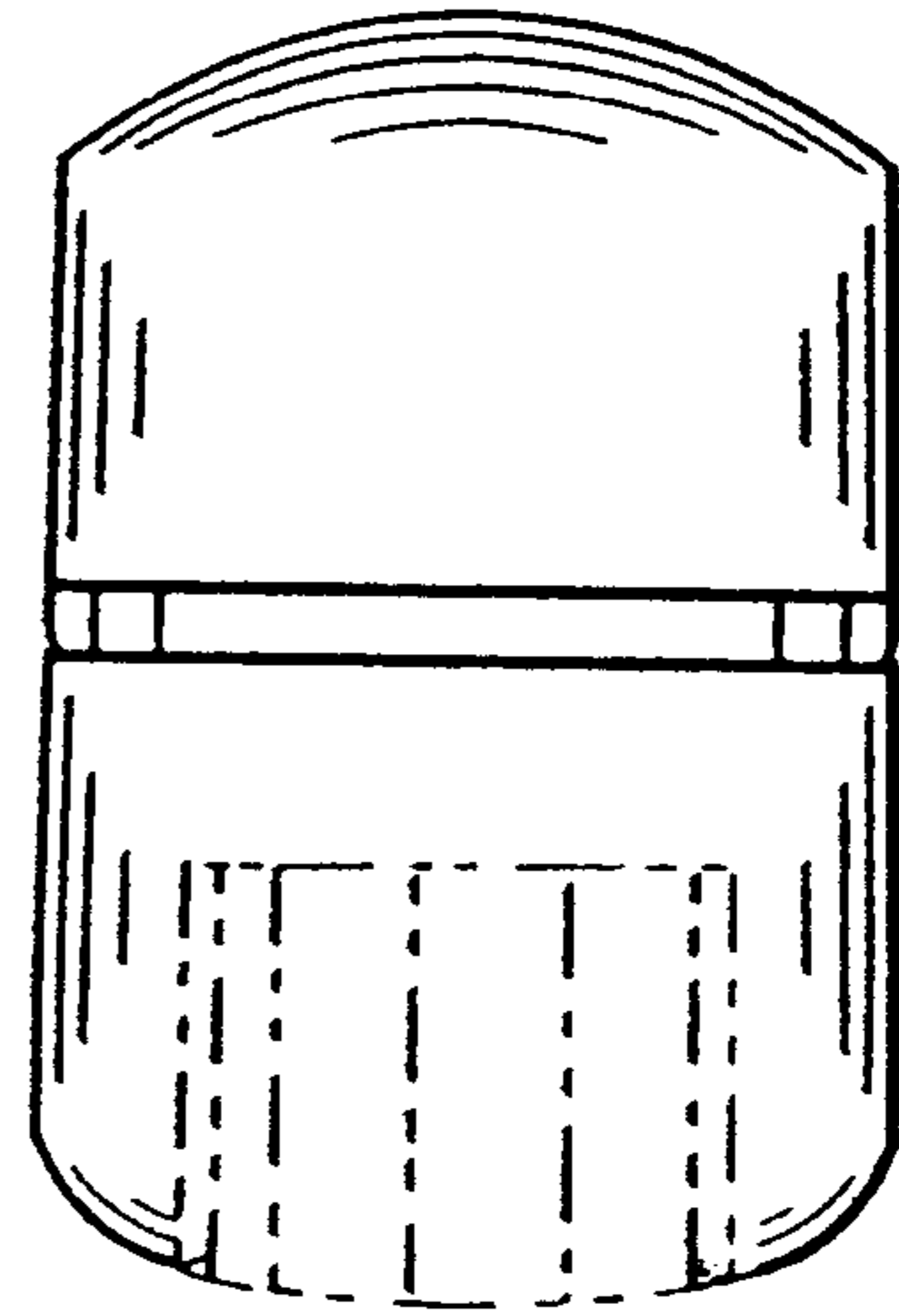
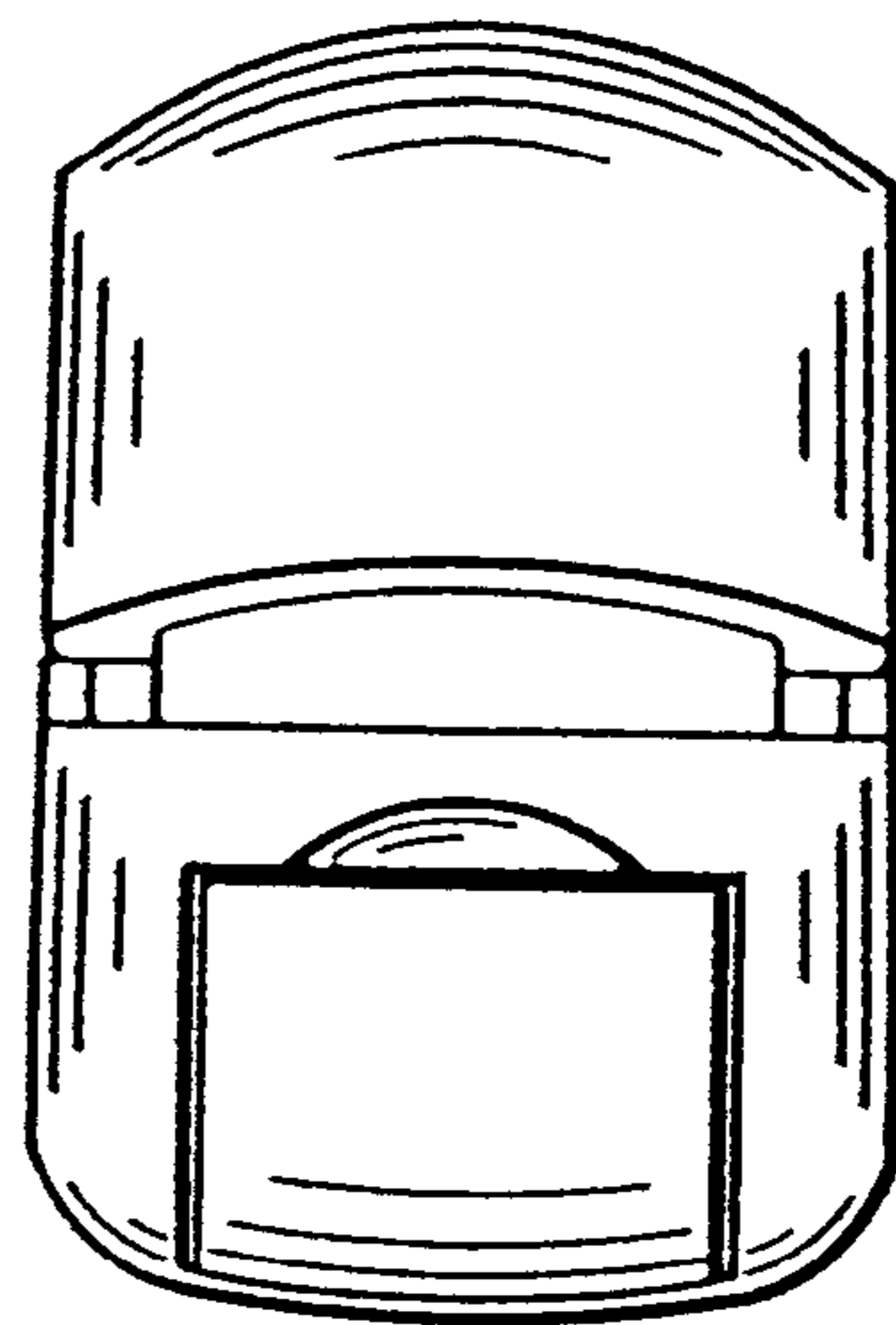


Fig. 6



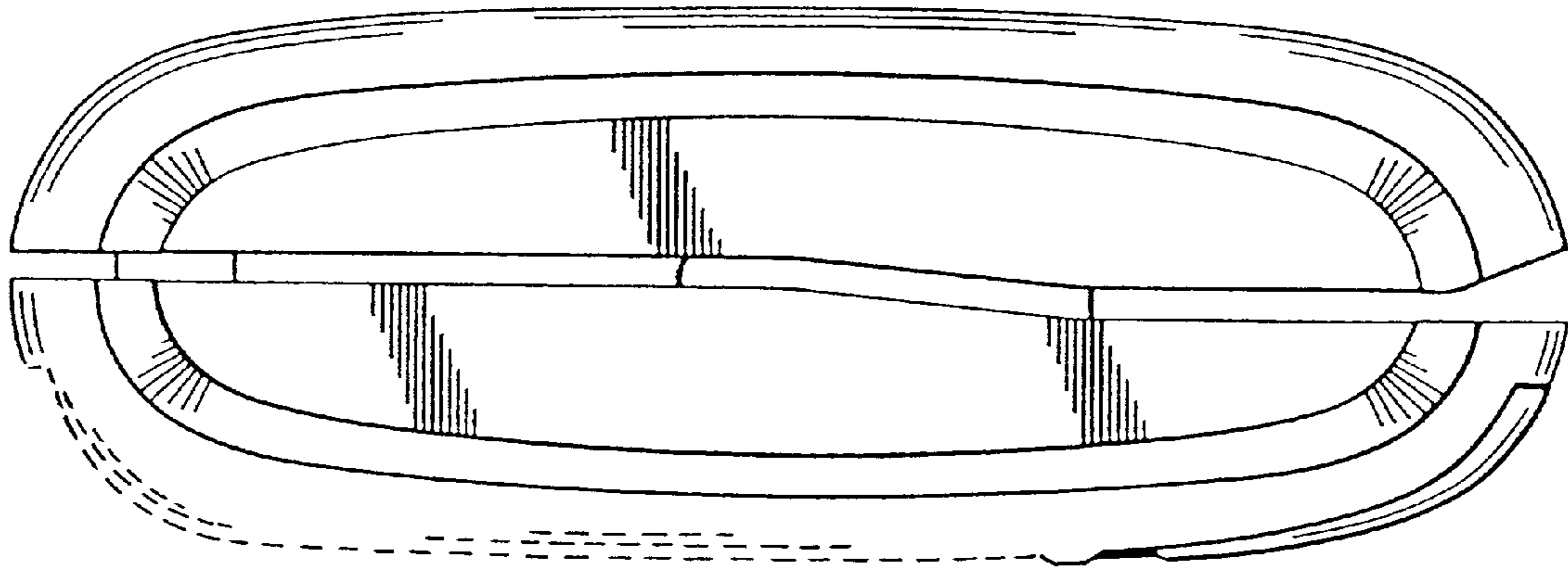


Fig. 7

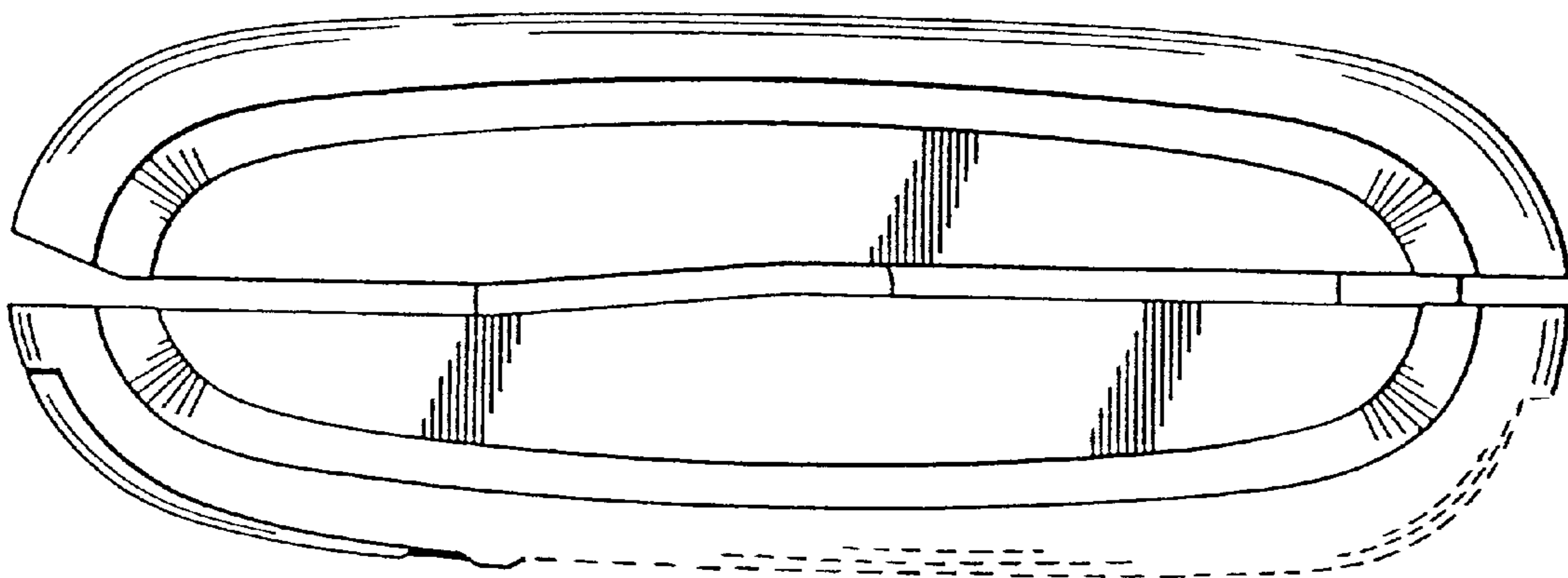


Fig. 8

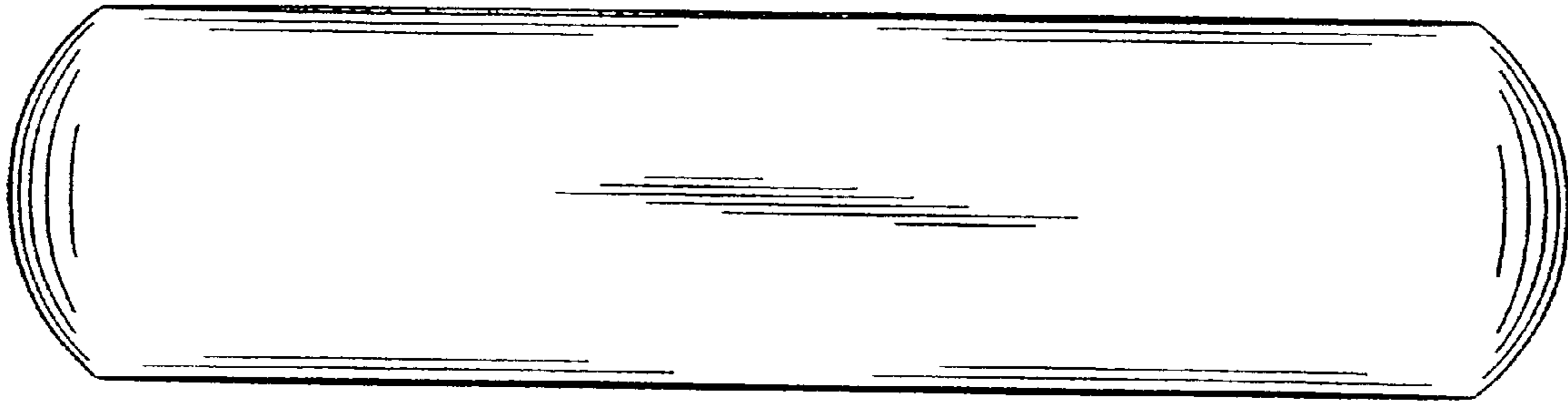


Fig. 9

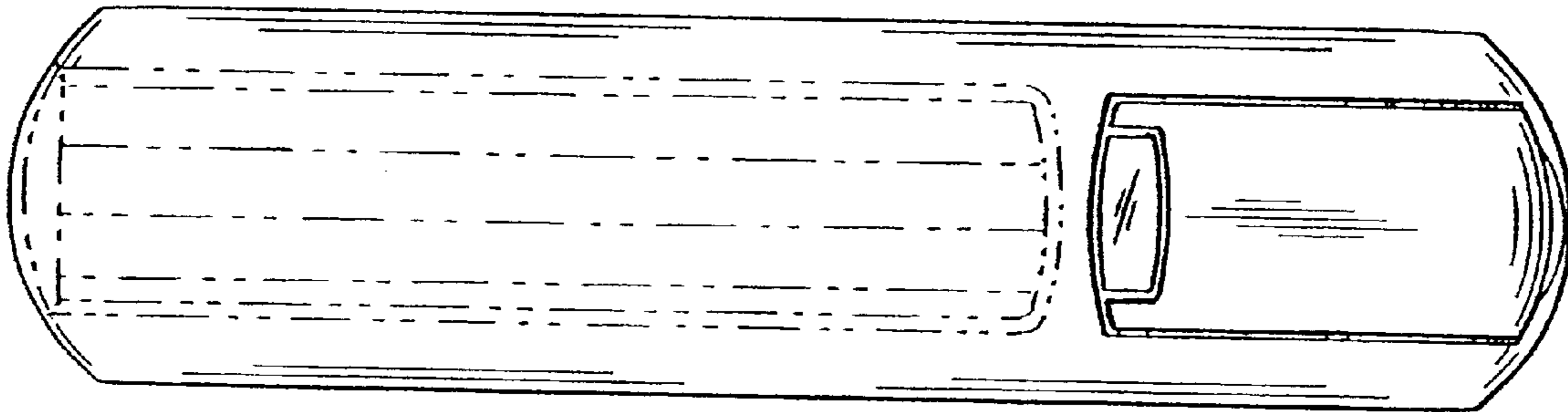
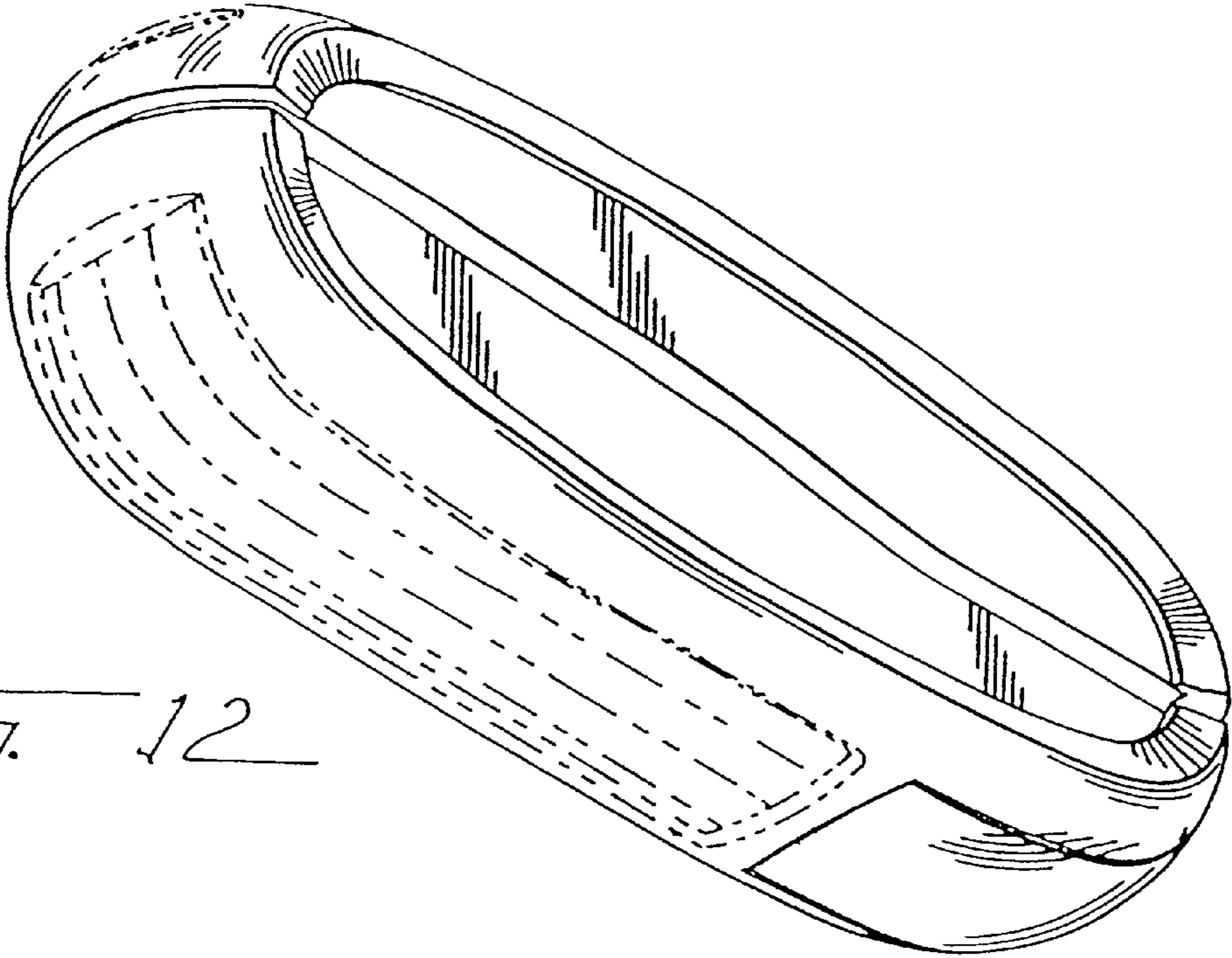
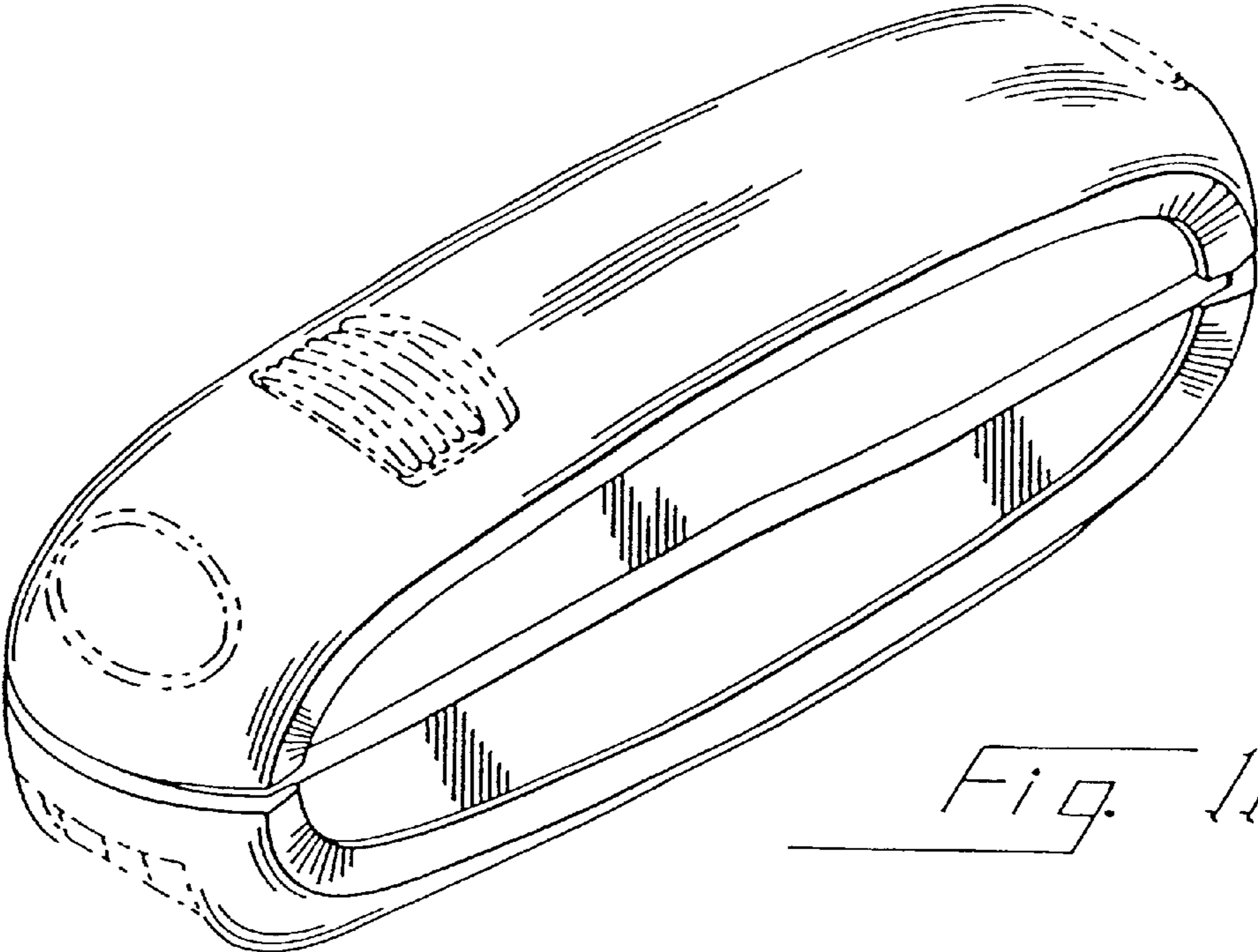


Fig. 10



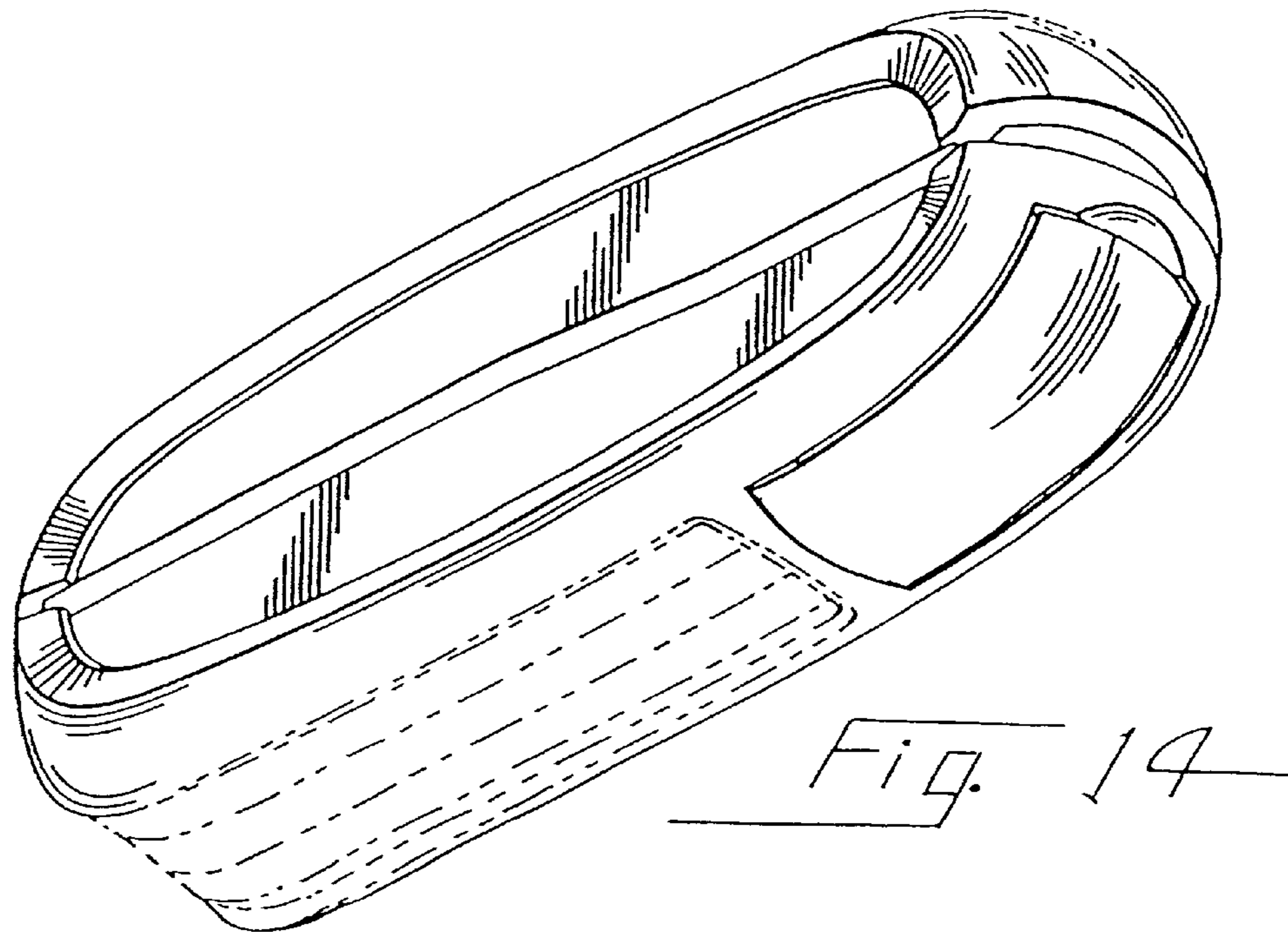
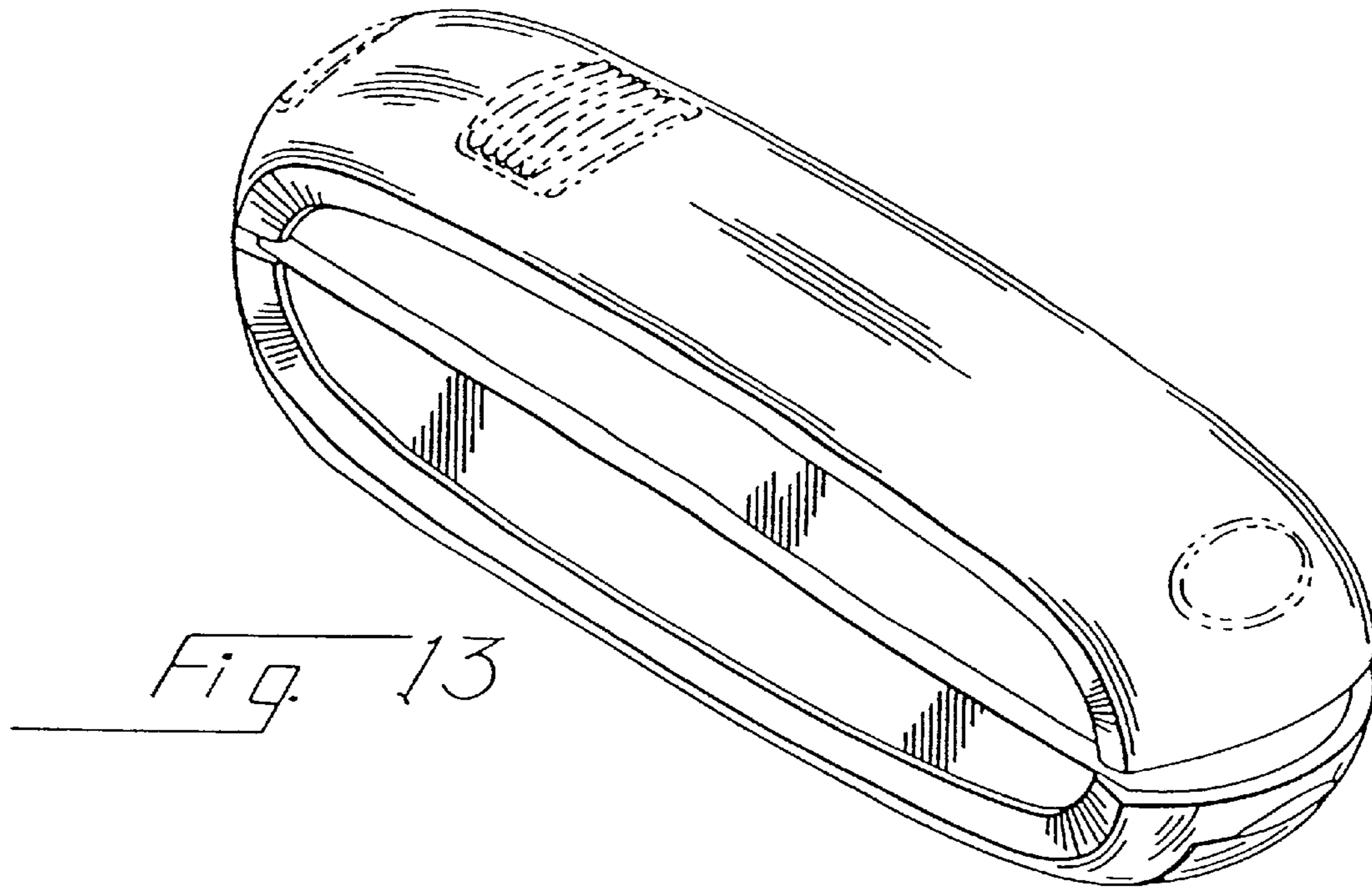


Fig. 15

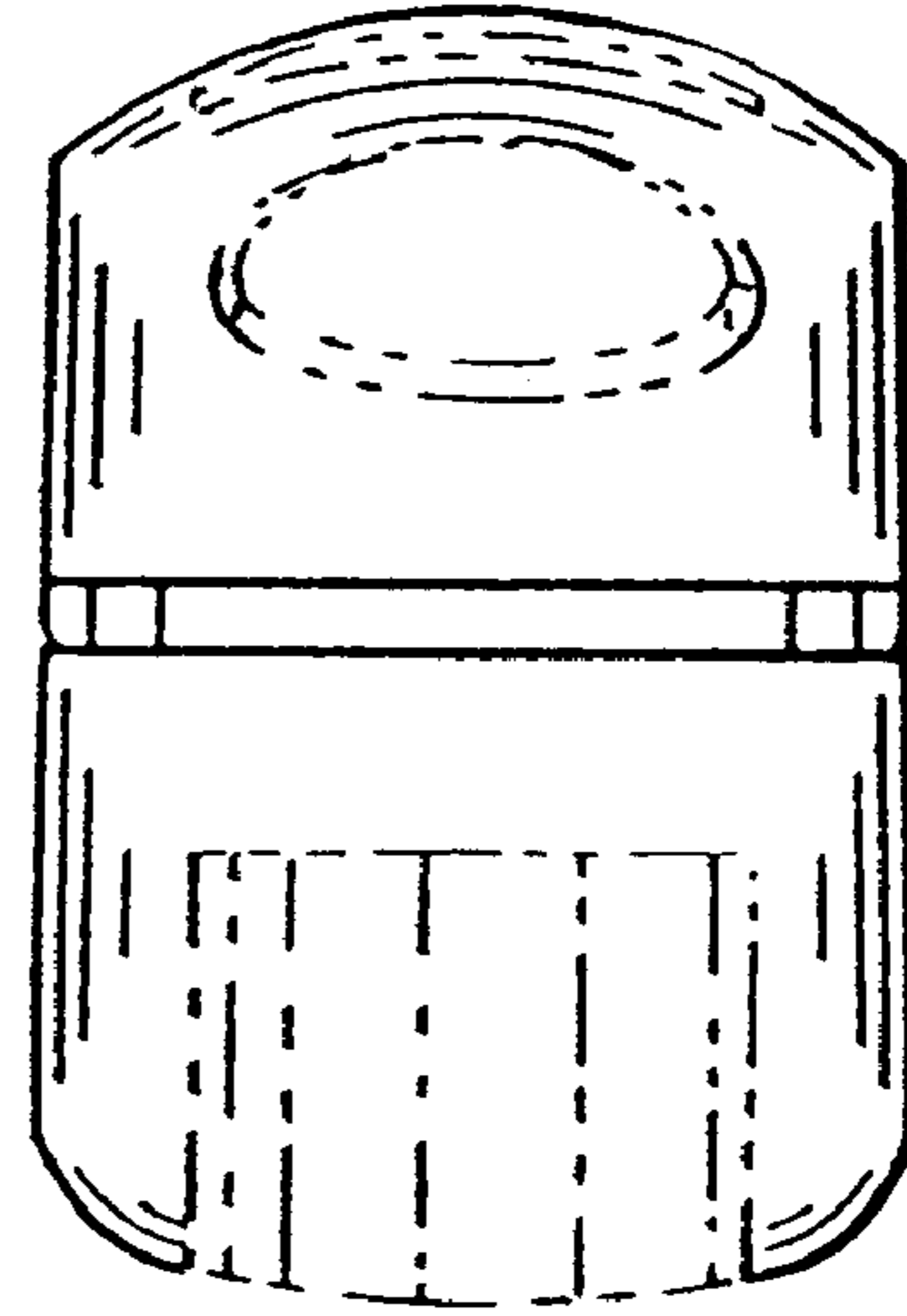
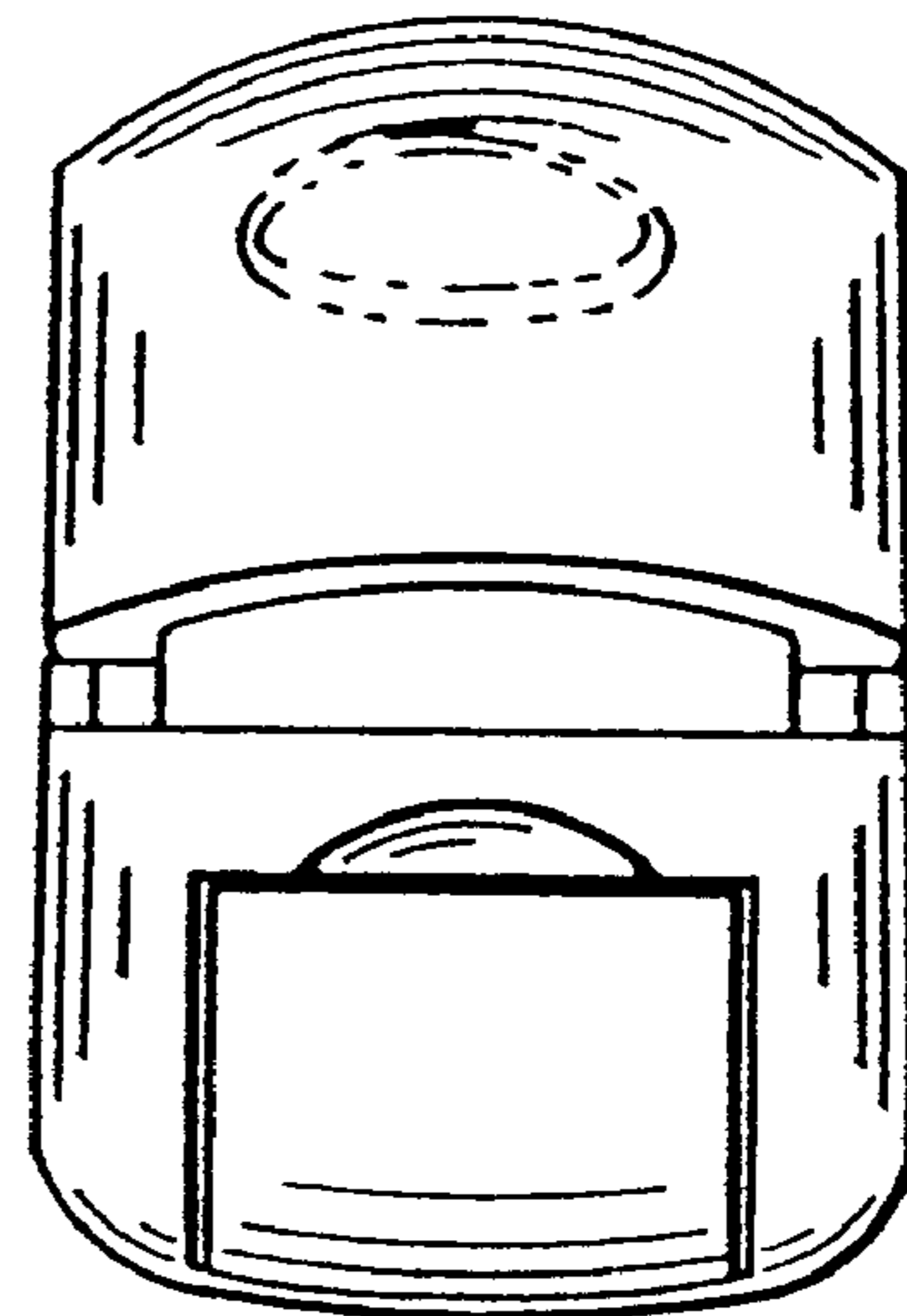


Fig. 16



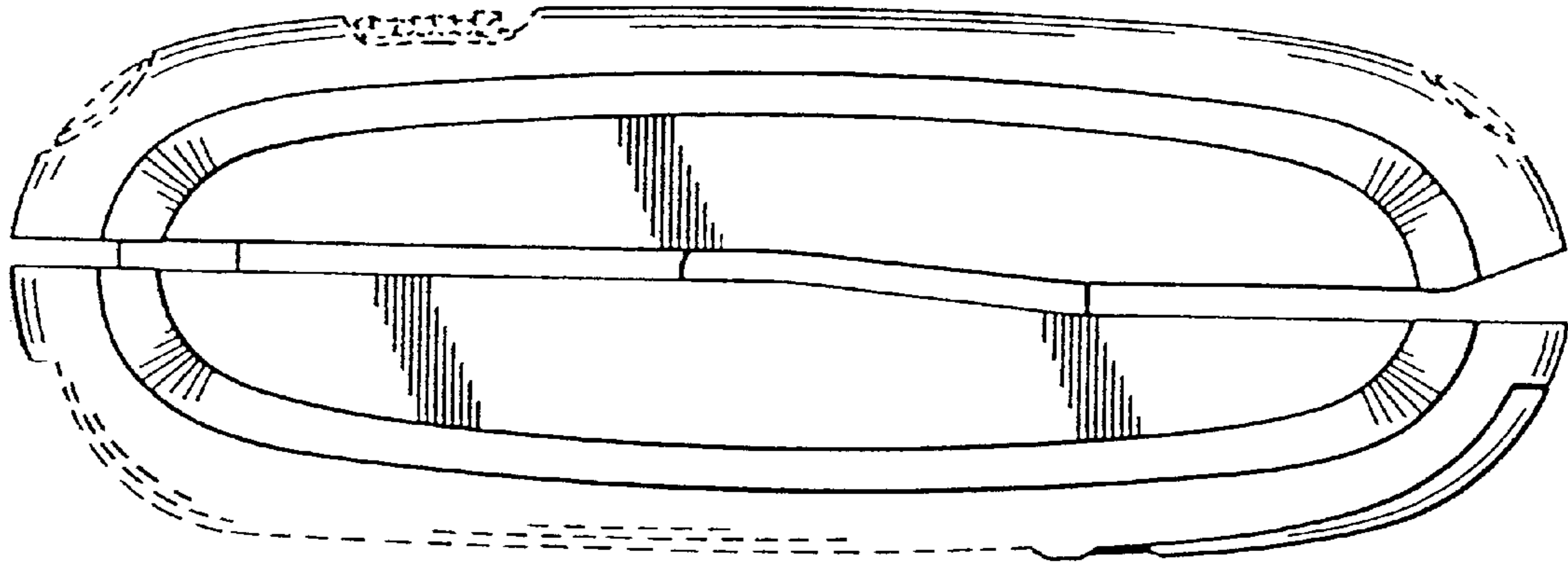


Fig. 17

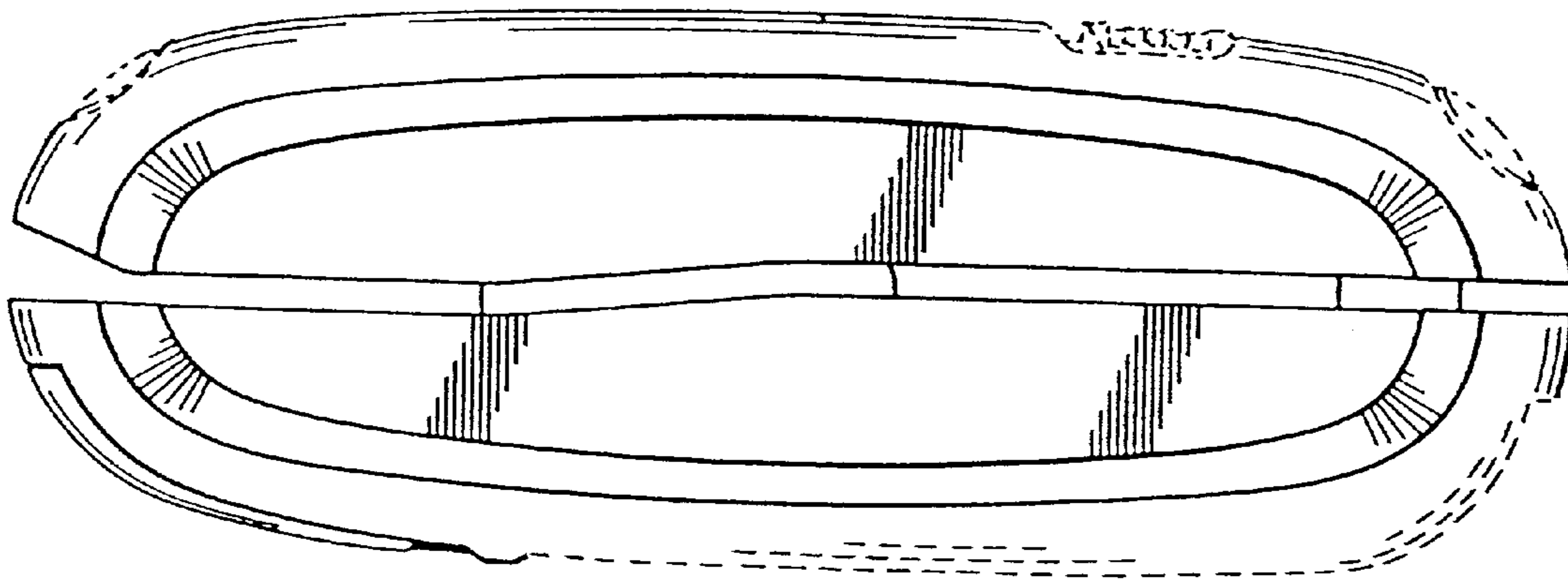


Fig. 18

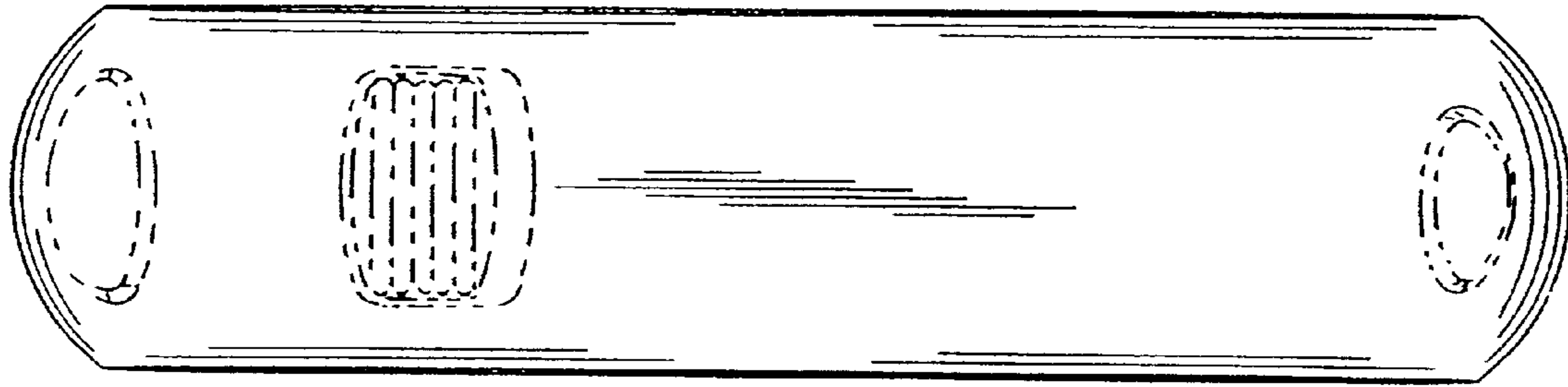


Fig. 19

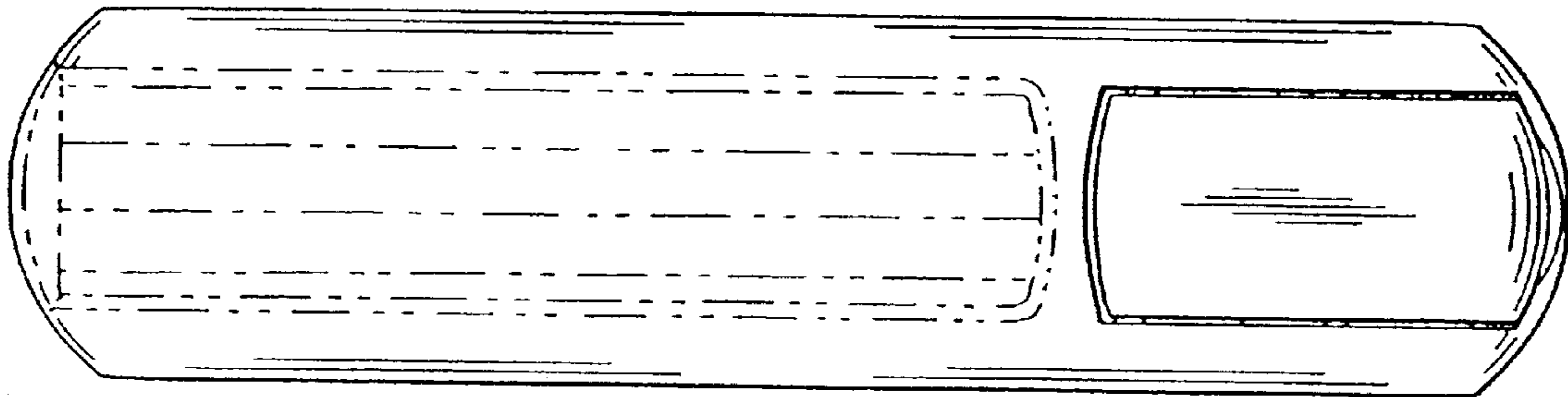


Fig. 20

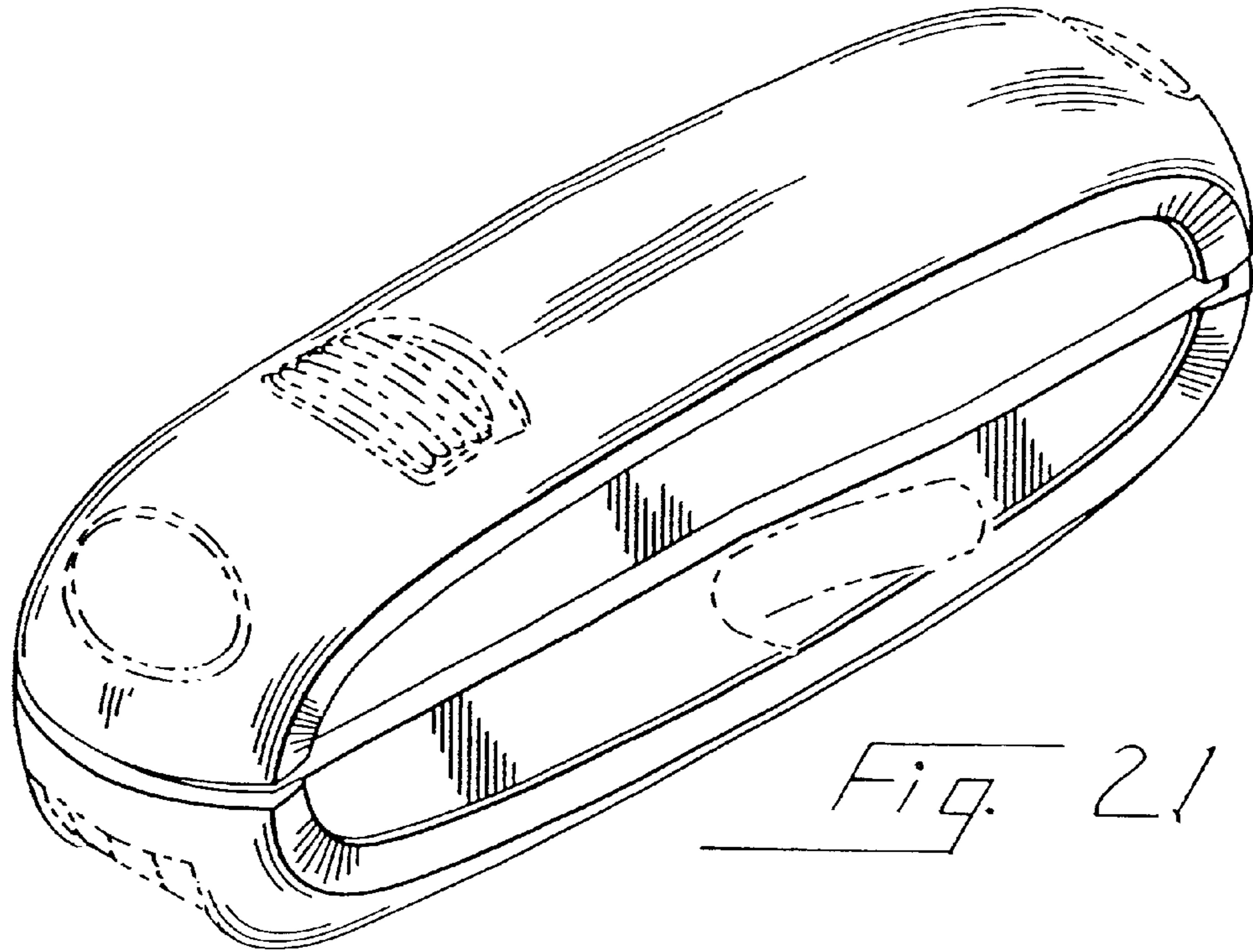


Fig. 21

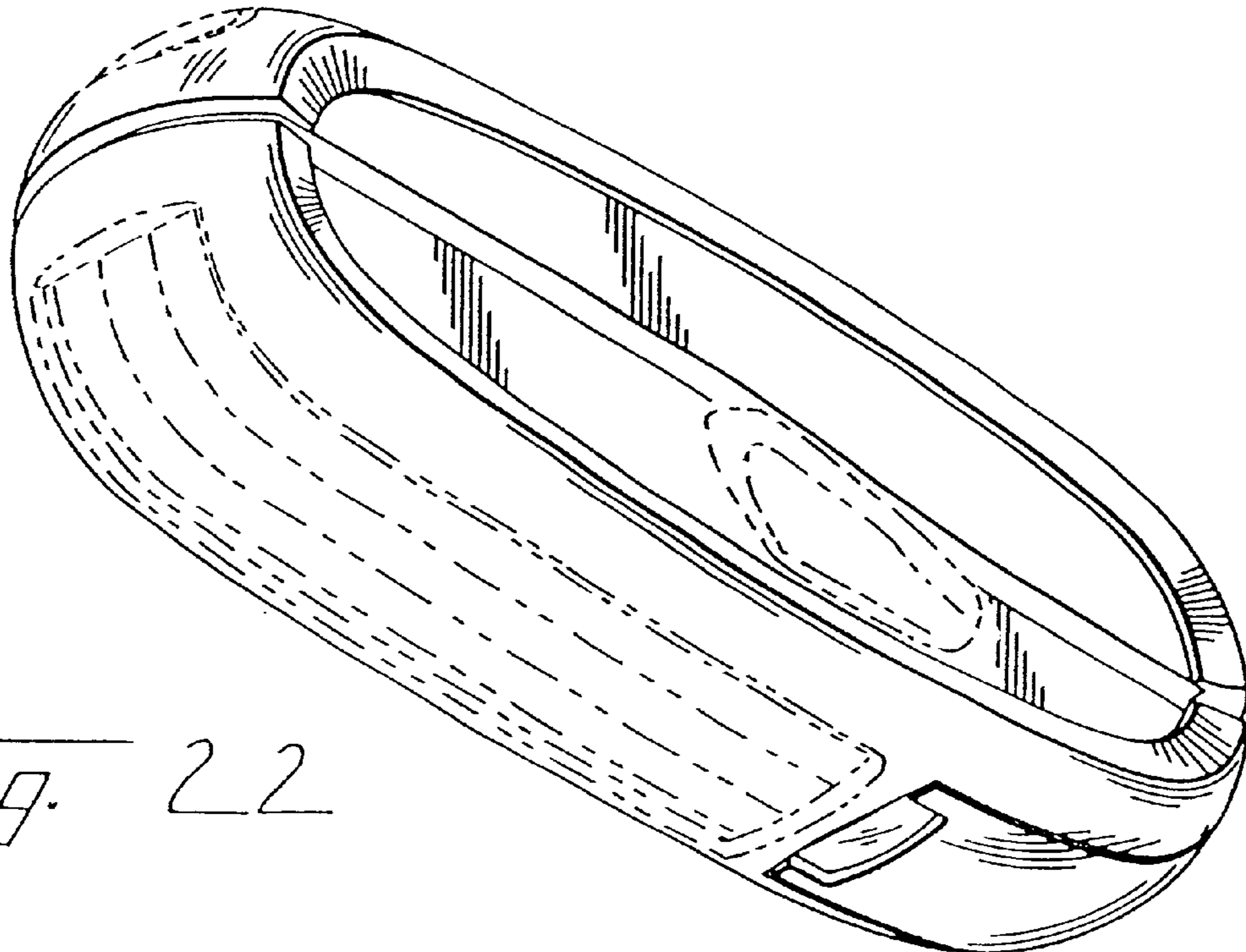


Fig. 22

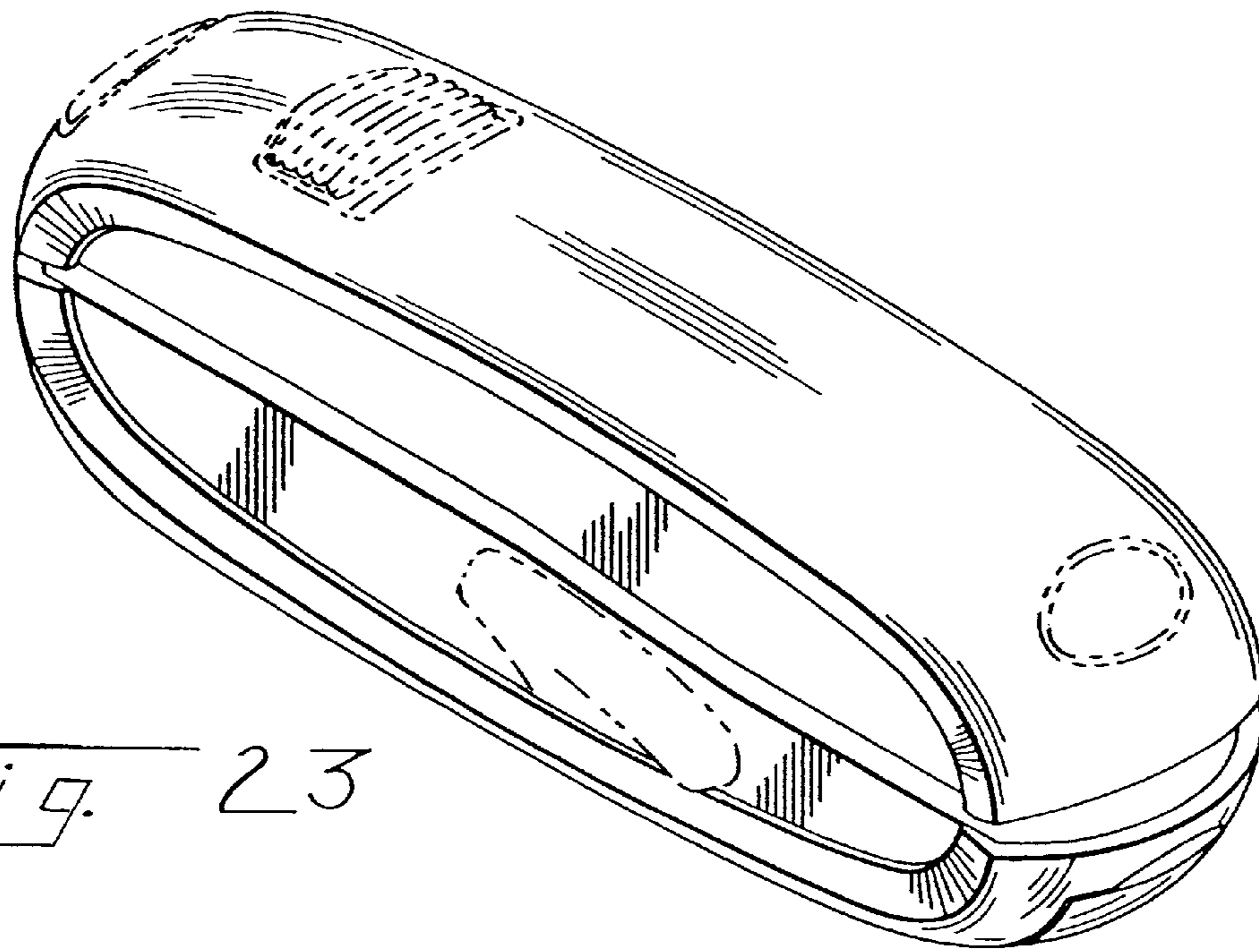


Fig. 23

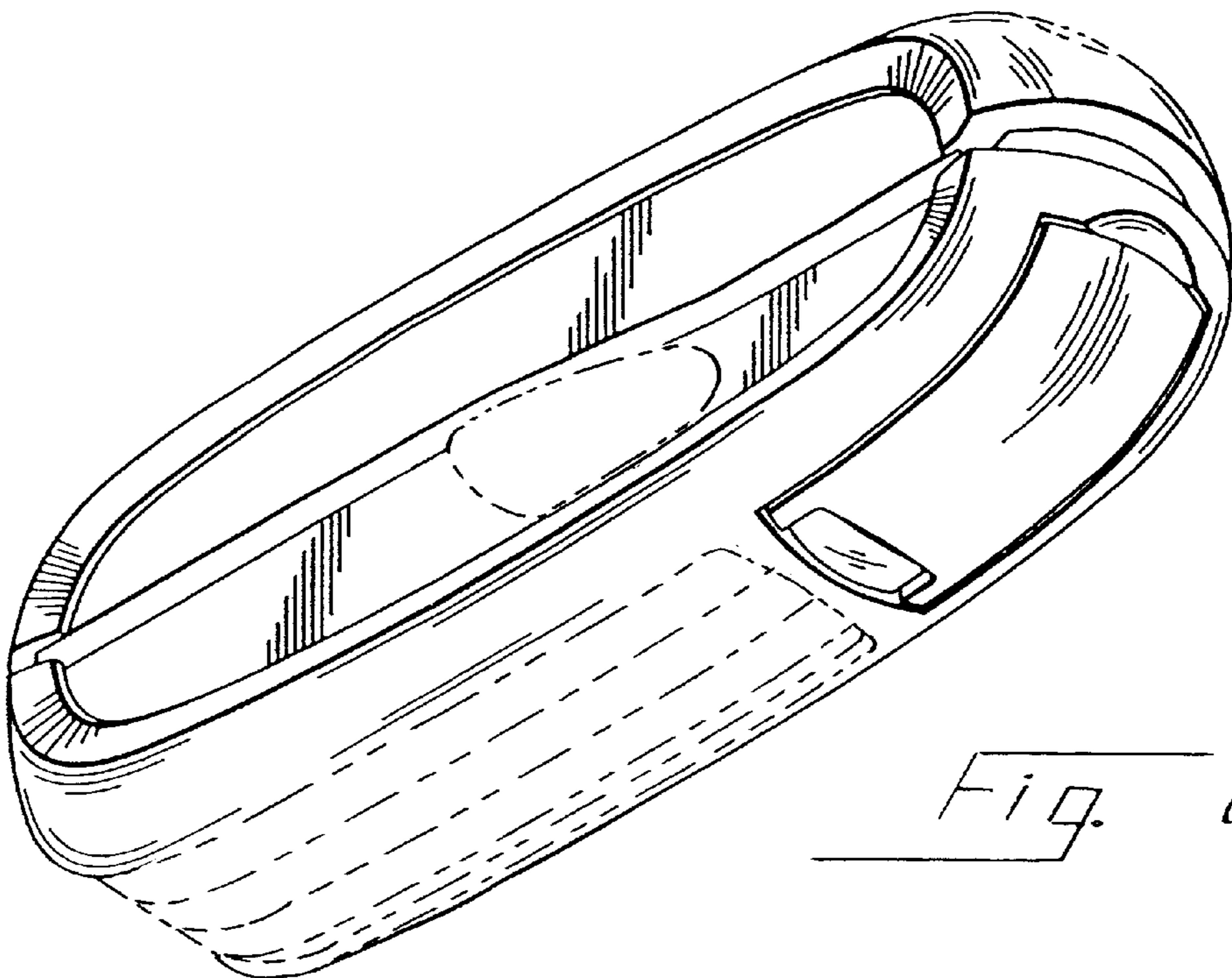


Fig. 24

Fig. 25

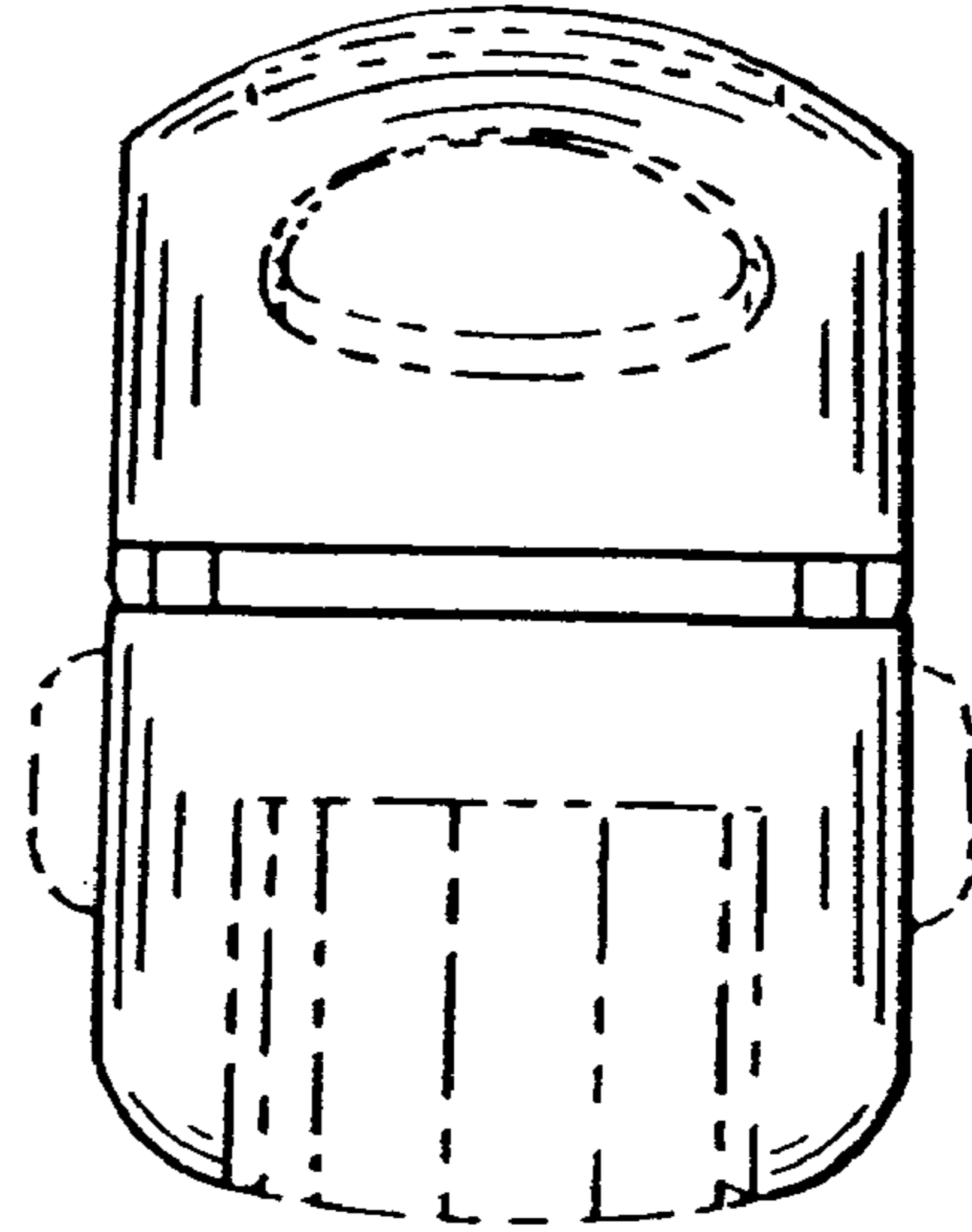
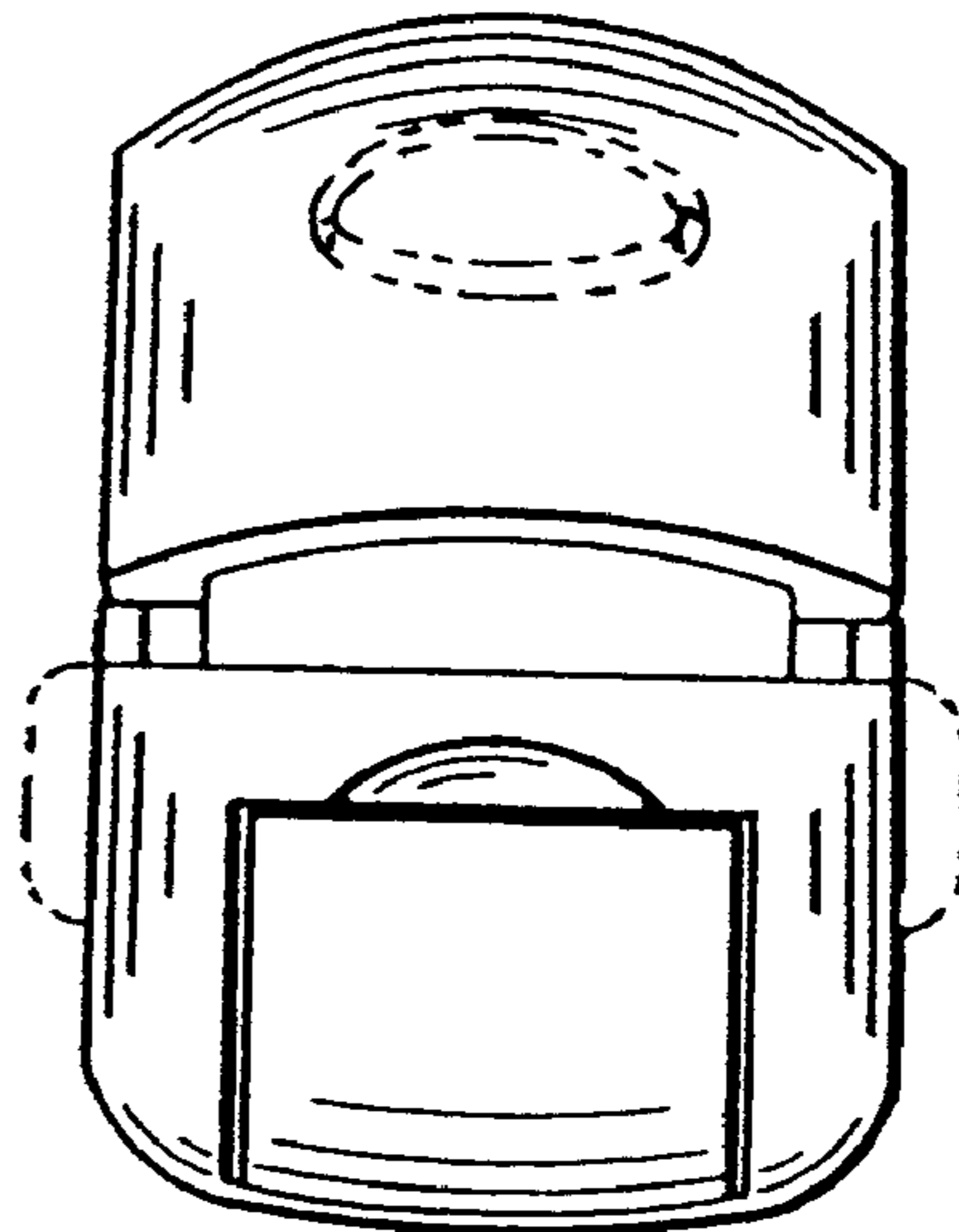


Fig. 26



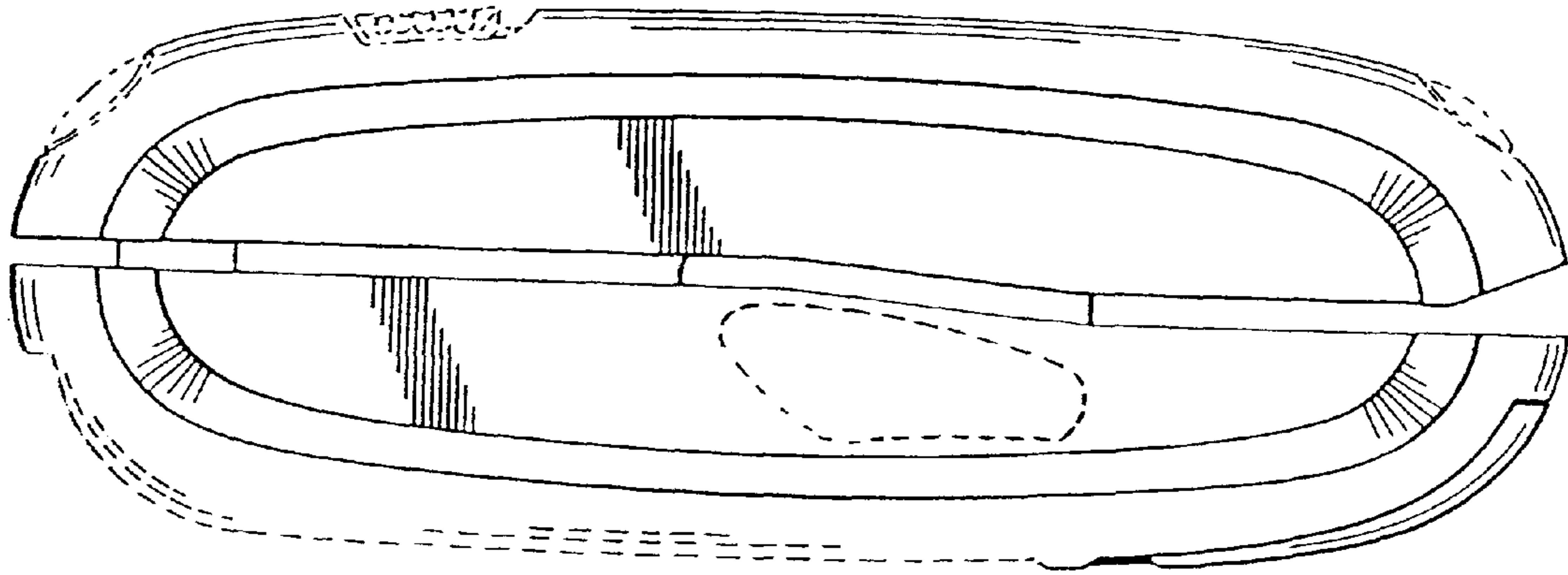


Fig. 27

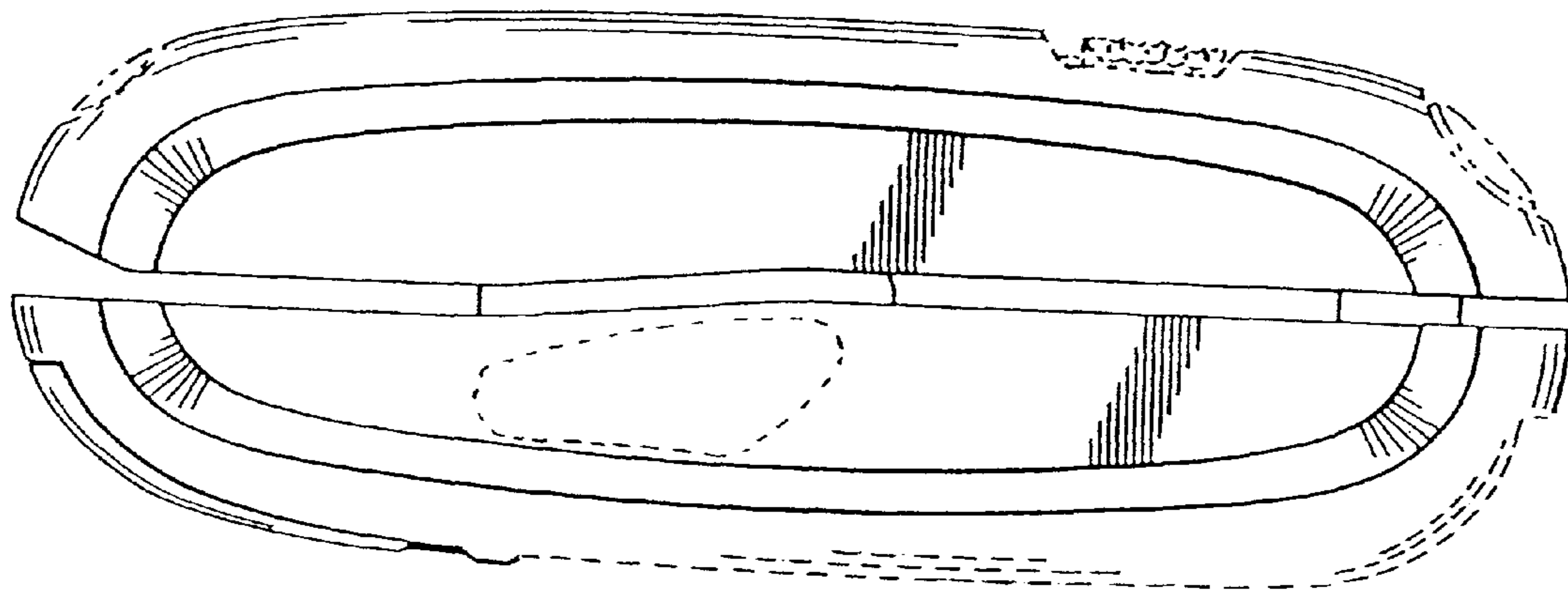


Fig. 28

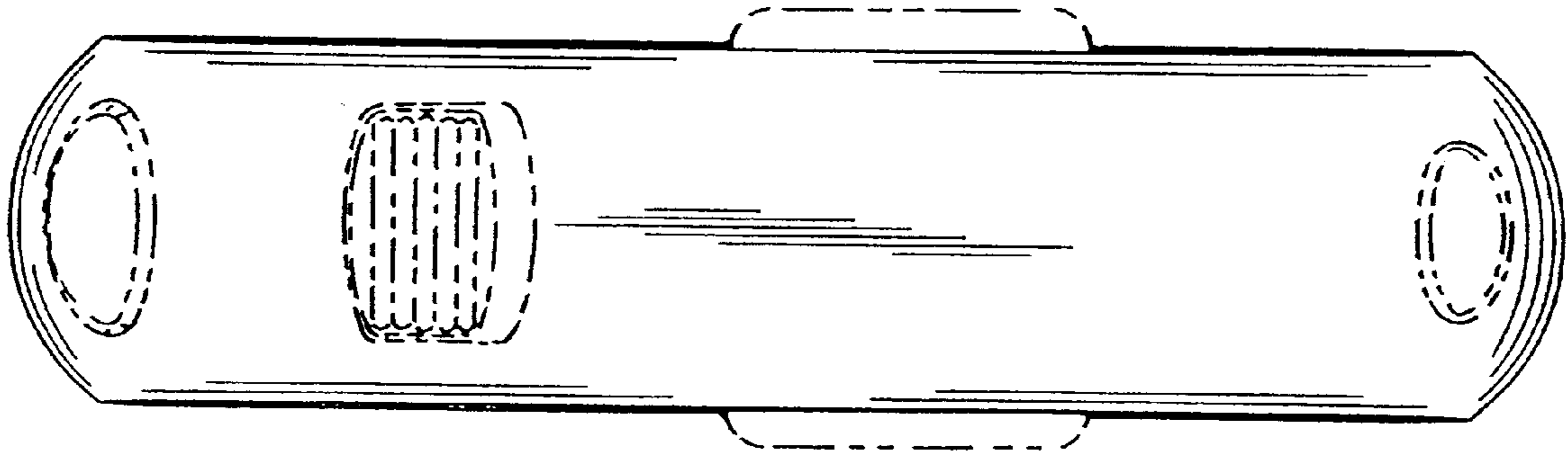


Fig. 29

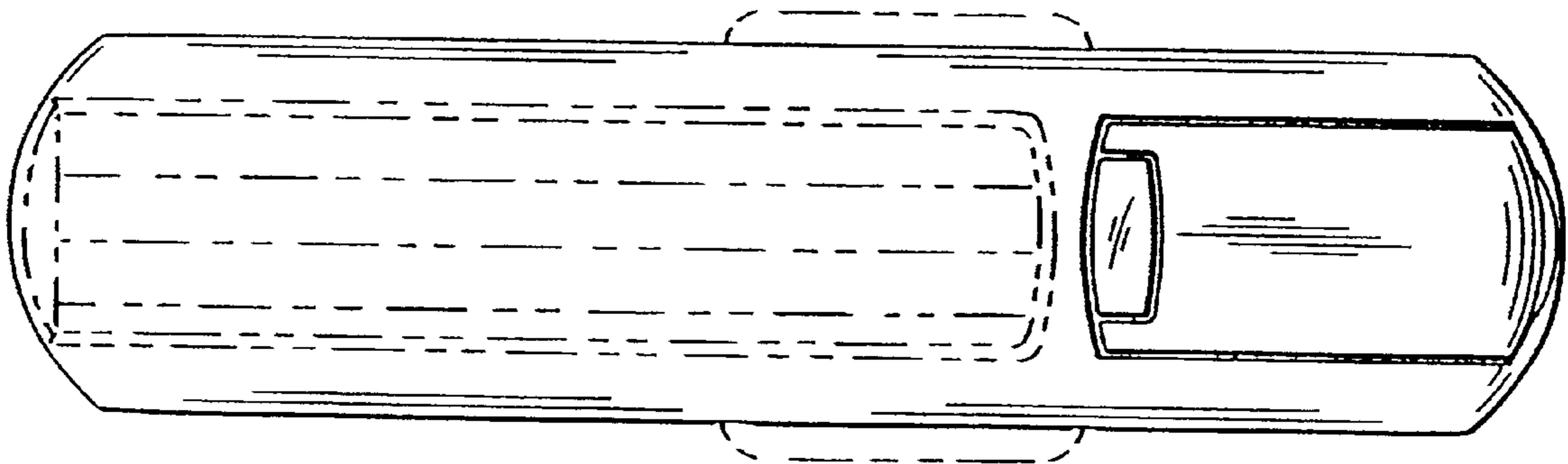


Fig. 30