

US00D493826S1

(12) **United States Design Patent**  
**Sasaki et al.**

(10) **Patent No.:** **US D493,826 S**

(45) **Date of Patent:** **\*\* Aug. 3, 2004**

(54) **INK CARTRIDGE**

(75) Inventors: **Toyonori Sasaki**, Anjyo (JP); **Atsushi Murakami**, Nagoya (JP); **Mitsuharu Hattori**, Nagoya (JP); **Masatoshi Yoshiyama**, Nagoya (JP)

(73) Assignee: **Brother Industries, Limited**, Nagoya (JP)

(\*\*) Term: **14 Years**

(21) Appl. No.: **29/182,563**

(22) Filed: **May 29, 2003**

**Related U.S. Application Data**

(62) Division of application No. 29/148,448, filed on Sep. 21, 2001, now Pat. No. Des. 479,265.

(30) **Foreign Application Priority Data**

Mar. 23, 2001 (JP) ..... 2001-8337  
Mar. 23, 2001 (JP) ..... 2001-8338  
Mar. 23, 2001 (JP) ..... 2001-8339  
Mar. 23, 2001 (JP) ..... 2001-8340

(51) **LOC (7) Cl.** ..... **18-02**

(52) **U.S. Cl.** ..... **D18/56; 347/86**

(58) **Field of Search** ..... **D18/56, 40, 43; 347/86, 87; D9/555-556, 568-569**

(56) **References Cited**

**U.S. PATENT DOCUMENTS**

D35,365 S \* 12/1901 Lorenz ..... D9/556  
4,017,115 A \* 4/1977 Holt et al. .... 294/89  
D372,045 S \* 7/1996 Tokuda et al. .... D18/56  
D421,270 S 2/2000 Yamaguchi

D430,603 S 9/2000 Maeda et al.  
6,164,771 A \* 12/2000 Eckard et al. .... 347/86  
D436,988 S 1/2001 Maeda et al.  
6,183,076 B1 \* 2/2001 Childers et al. .... 347/86  
D440,598 S 4/2001 Maeda et al.  
6,227,663 B1 \* 5/2001 Santhanam et al. .... 347/87  
D448,797 S 10/2001 Carrese et al.  
D452,875 S 1/2002 Carrese et al.  
D456,446 S 4/2002 Carrese et al.  
D456,836 S 5/2002 Ito et al.  
D462,384 S \* 9/2002 Sasaki et al. .... D18/56

\* cited by examiner

*Primary Examiner*—Cathy Anne MacCormac

(74) *Attorney, Agent, or Firm*—Oliff & Berridge, PLC

(57) **CLAIM**

The ornamental design for an ink cartridge, as shown and described.

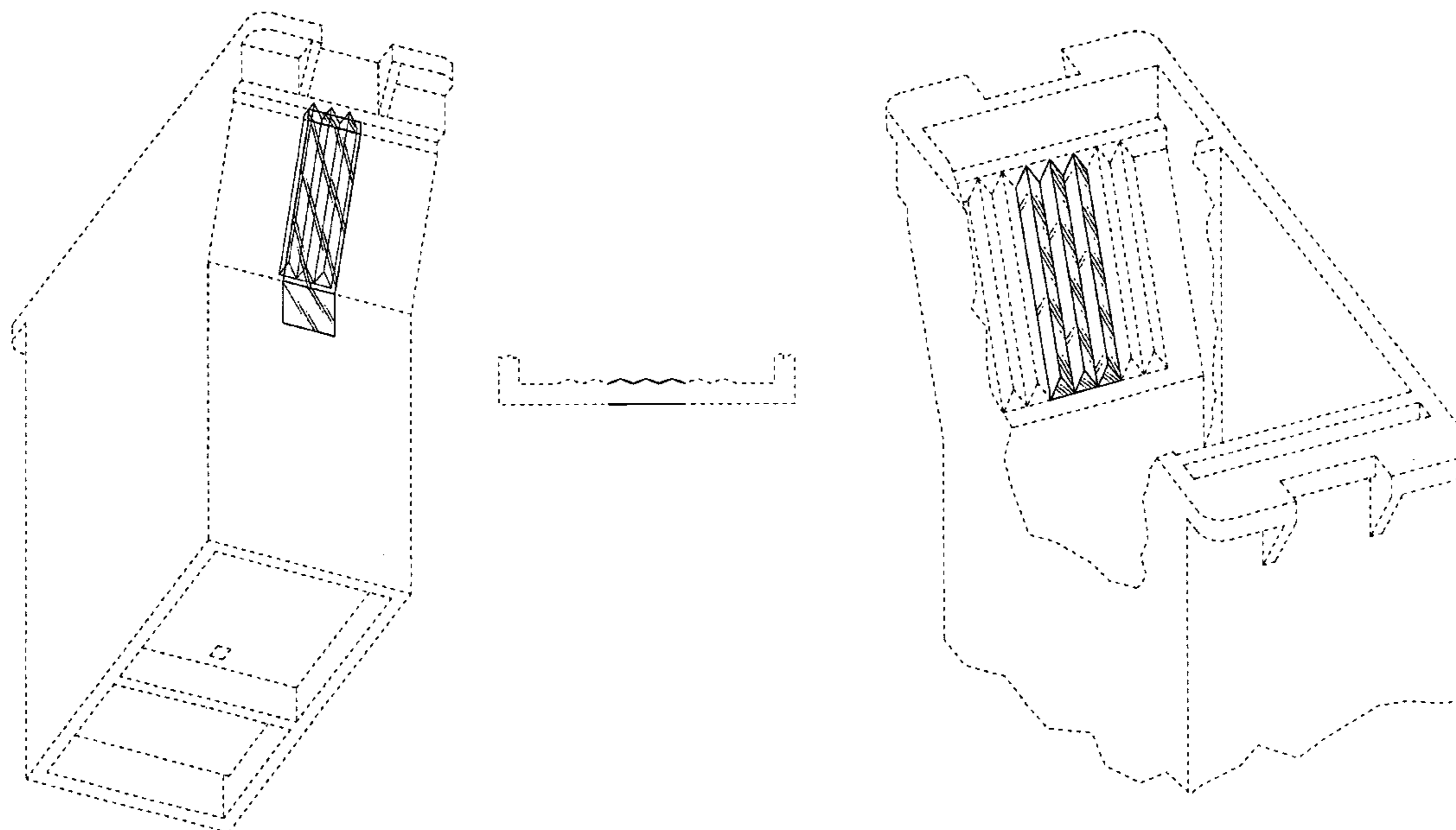
**DESCRIPTION**

FIG. 1 is a bottom perspective view of an ink cartridge; FIG. 2 is a front view thereof; FIG. 3 is a sectional view thereof taken along the plane 3—3 of FIG. 2; FIG. 4 is an enlarged side profile view thereof taken along the line 4—4 of FIG. 2; and, FIG. 5 is a fragmentary, cut-away perspective view showing the interior surface of the ribs and with the front surface omitted for clarity of illustration.

The claimed design relates to an ink cartridge made of a transparent material and having ribs arranged on an inclined surface inside of the ink cartridge.

The broken lines define the bounds of the claimed design but do not form part of the claimed design.

**1 Claim, 4 Drawing Sheets**



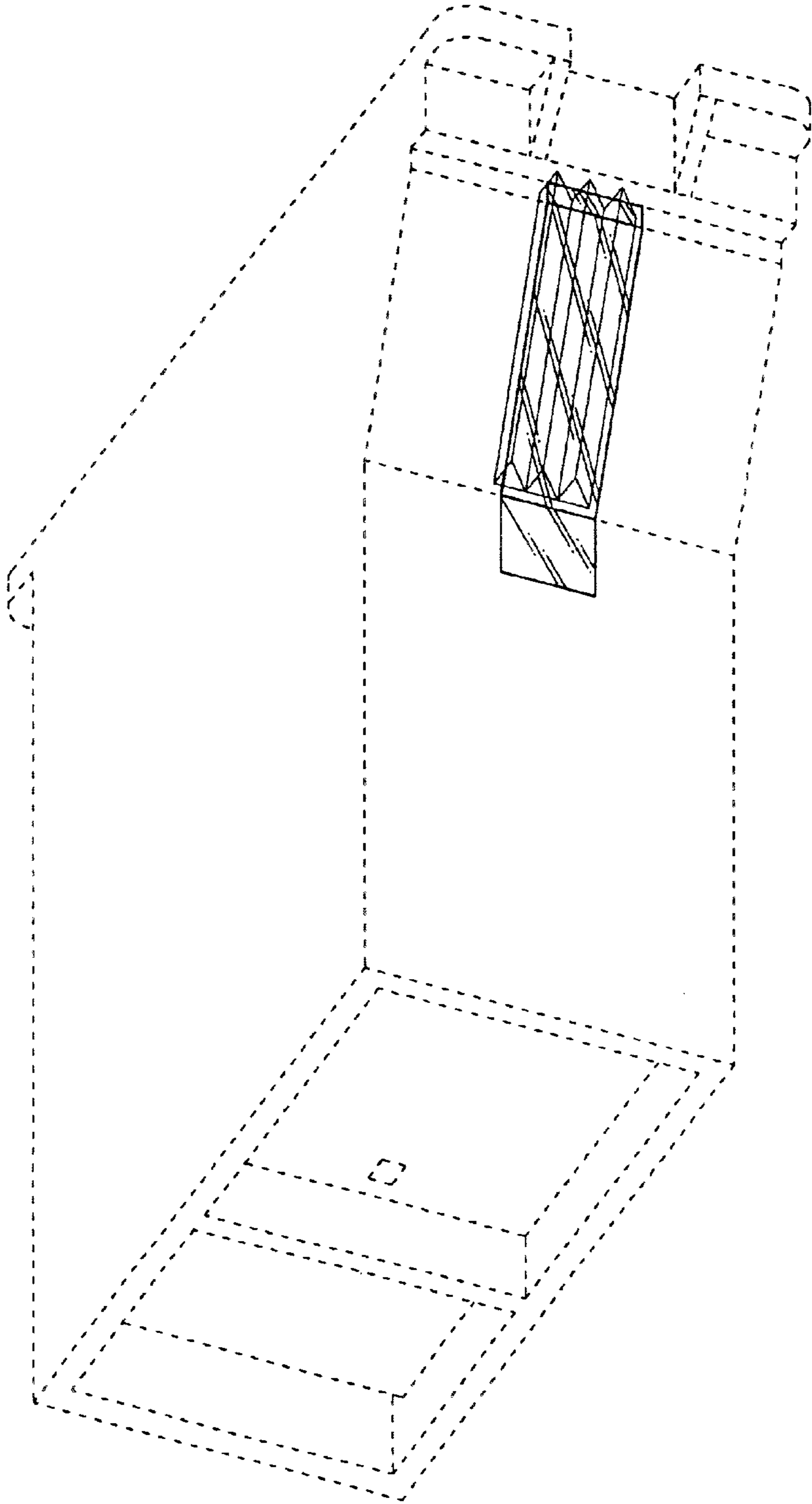


Fig. 1

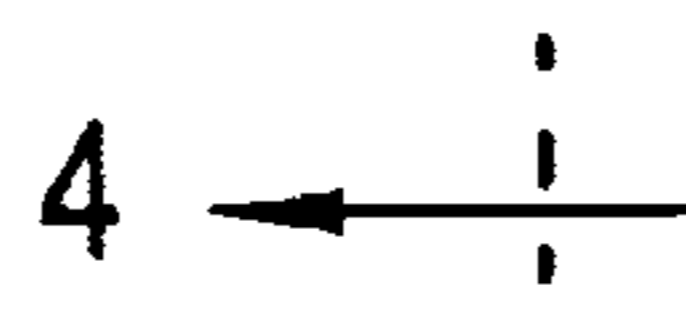
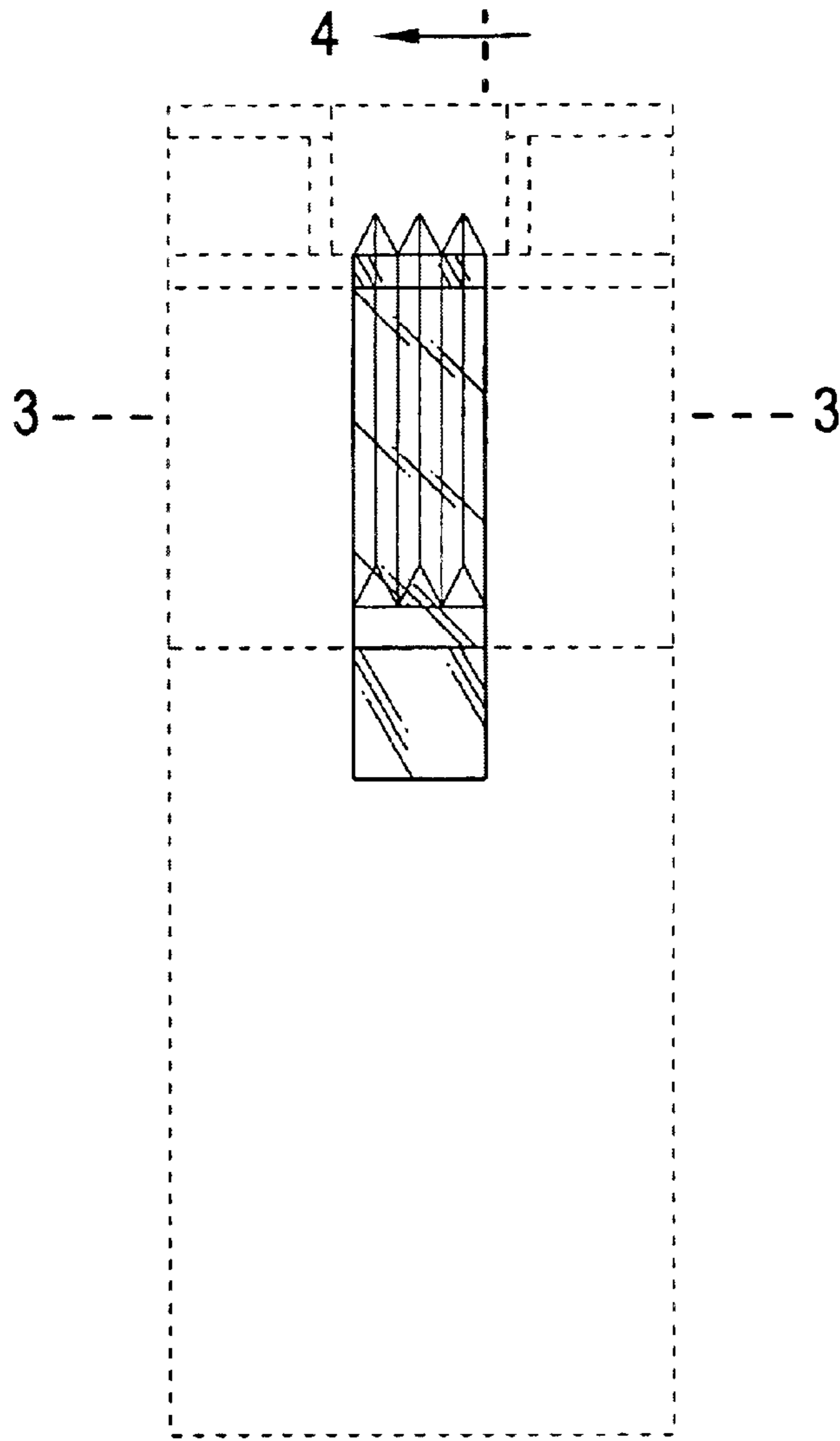


Fig. 2

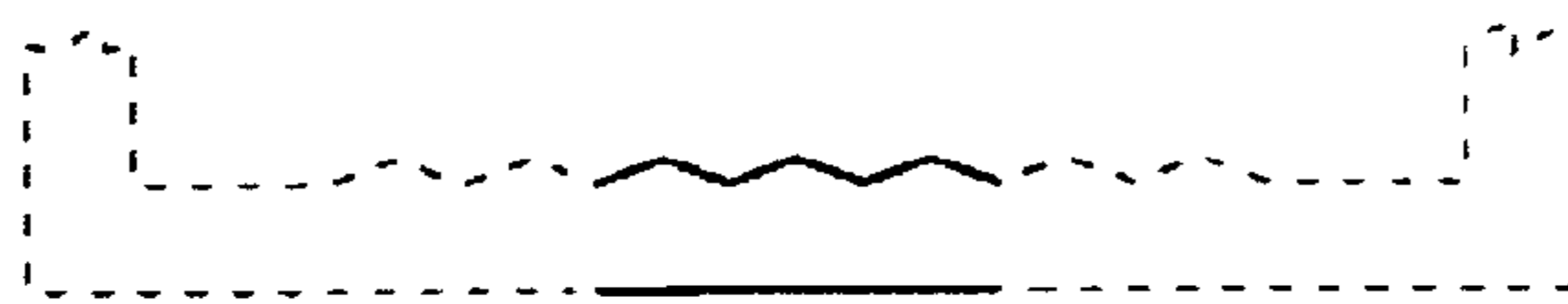


Fig. 3

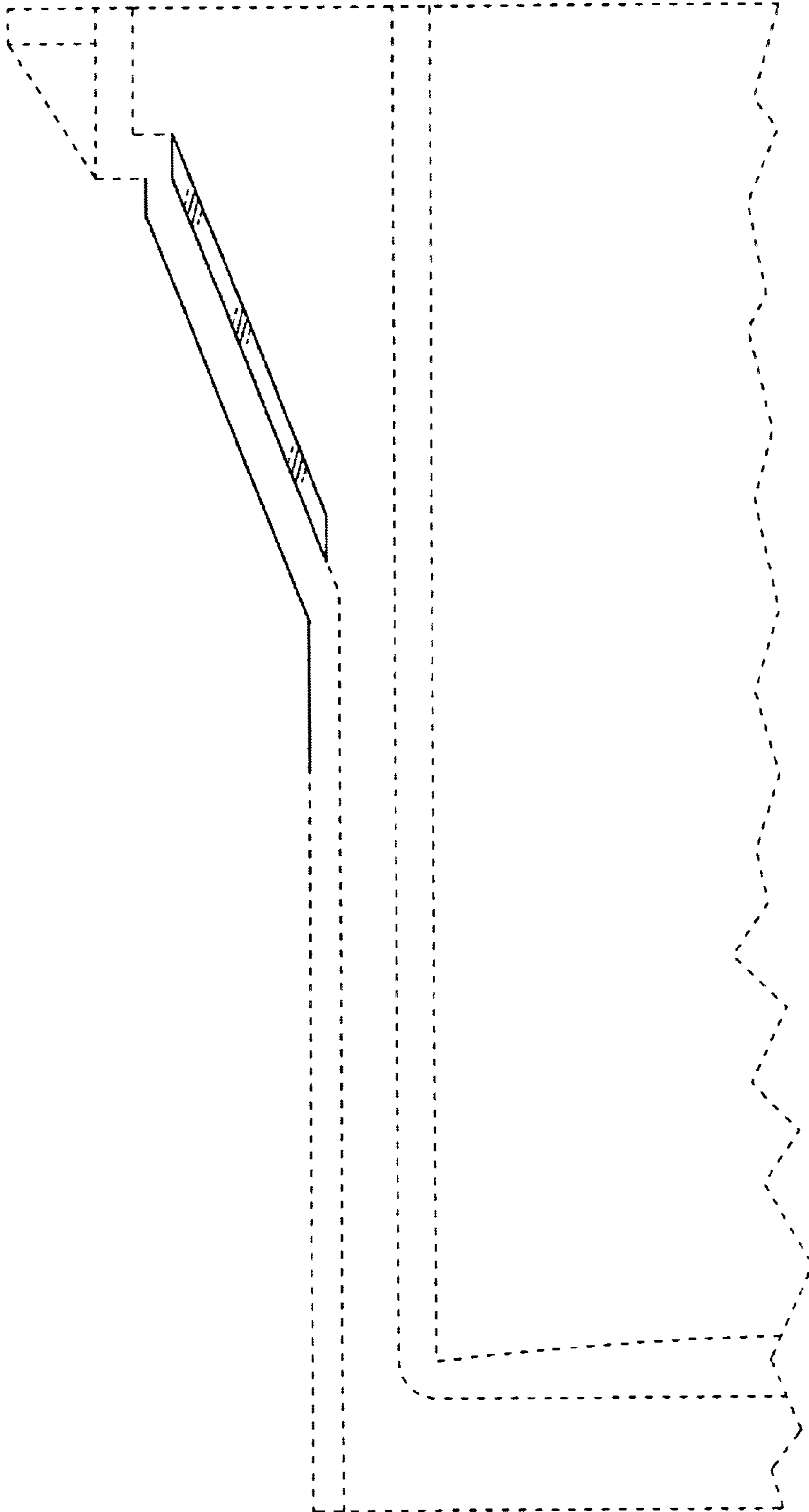


Fig. 4

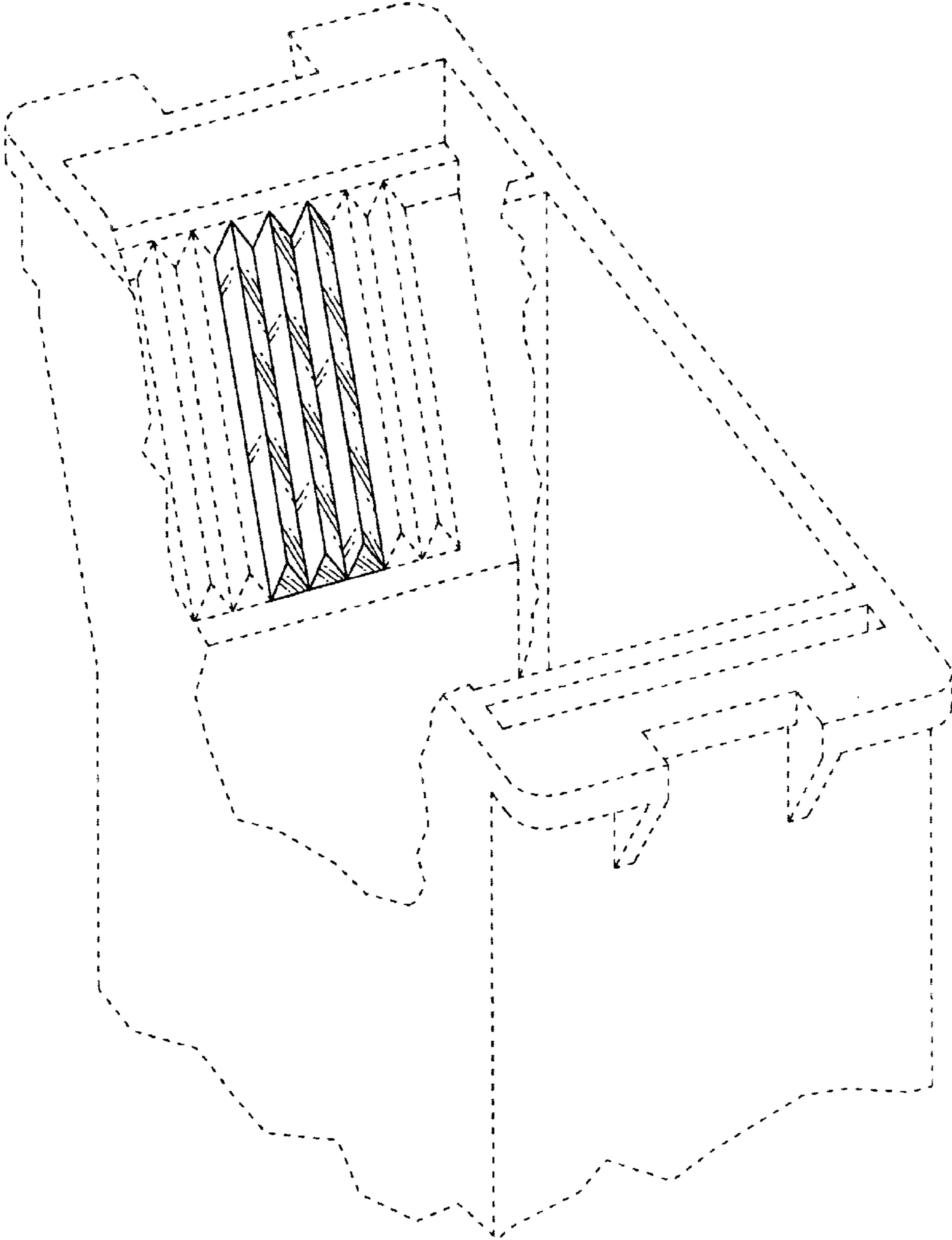


Fig. 5