

US00D493824S1

(12) **United States Design Patent** (10) **Patent No.:** **US D493,824 S**  
**Sasaki et al.** (45) **Date of Patent:** **\*\* Aug. 3, 2004**

(54) **INK CARTRIDGE**

(75) Inventors: **Toyonori Sasaki**, Anjyo (JP); **Atsushi Murakami**, Nagoya (JP); **Mitsuharu Hattori**, Nagoya (JP); **Masatoshi Yoshiyama**, Nagoya (JP)

(73) Assignee: **Brother Industries, Ltd.**, Nagoya (JP)

(\*\*) Term: **14 Years**

(21) Appl. No.: **29/182,536**

(22) Filed: **May 29, 2003**

**Related U.S. Application Data**

(62) Division of application No. 29/148,448, filed on Sep. 21, 2001, now Pat. No. Des. 479,265.

**Foreign Application Priority Data**

Mar. 23, 2001	(JP)	.....	2001-8337
Mar. 23, 2001	(JP)	.....	2001-8338
Mar. 23, 2001	(JP)	.....	2001-8339
Mar. 23, 2001	(JP)	.....	2001-8340

(51) **LOC (7) Cl.** ..... **18-02**

(52) **U.S. Cl.** ..... **D18/56; 347/86**

(58) **Field of Search** ..... **D18/56, 40, 43; 347/86, 87; D9/555-556, 568-569**

(56) **References Cited**

**U.S. PATENT DOCUMENTS**

D35,365	S	*	12/1901	Lorenz	.....	D9/556
4,017,115	A	*	4/1977	Holt et al.	.....	294/89
D372,045	S	*	7/1996	Tokuda et al.	.....	D18/56
D421,270	S		2/2000	Yamaguchi		
D430,603	S		9/2000	Maeda et al.		
6,164,771	A	*	12/2000	Eckard et al.	.....	347/86

D436,988	S		1/2001	Maeda et al.		
6,183,076	B1	*	2/2001	Childers et al.	.....	347/86
D440,598	S		4/2001	Maeda et al.		
6,227,663	B1	*	5/2001	Santhanam et al.	.....	347/87
D448,797	S		10/2001	Carrese et al.		
D452,875	S		1/2002	Carrese et al.		
D456,446	S		4/2002	Carrese et al.		
D456,836	S		5/2002	Ito et al.		
D462,384	S	*	9/2002	Sasaki et al.	.....	D18/56

\* cited by examiner

*Primary Examiner*—Cathy Anne MacCormac

(74) *Attorney, Agent, or Firm*—Oliff & Berridge, PLC

(57) **CLAIM**

The ornamental design for an ink cartridge, as shown and described.

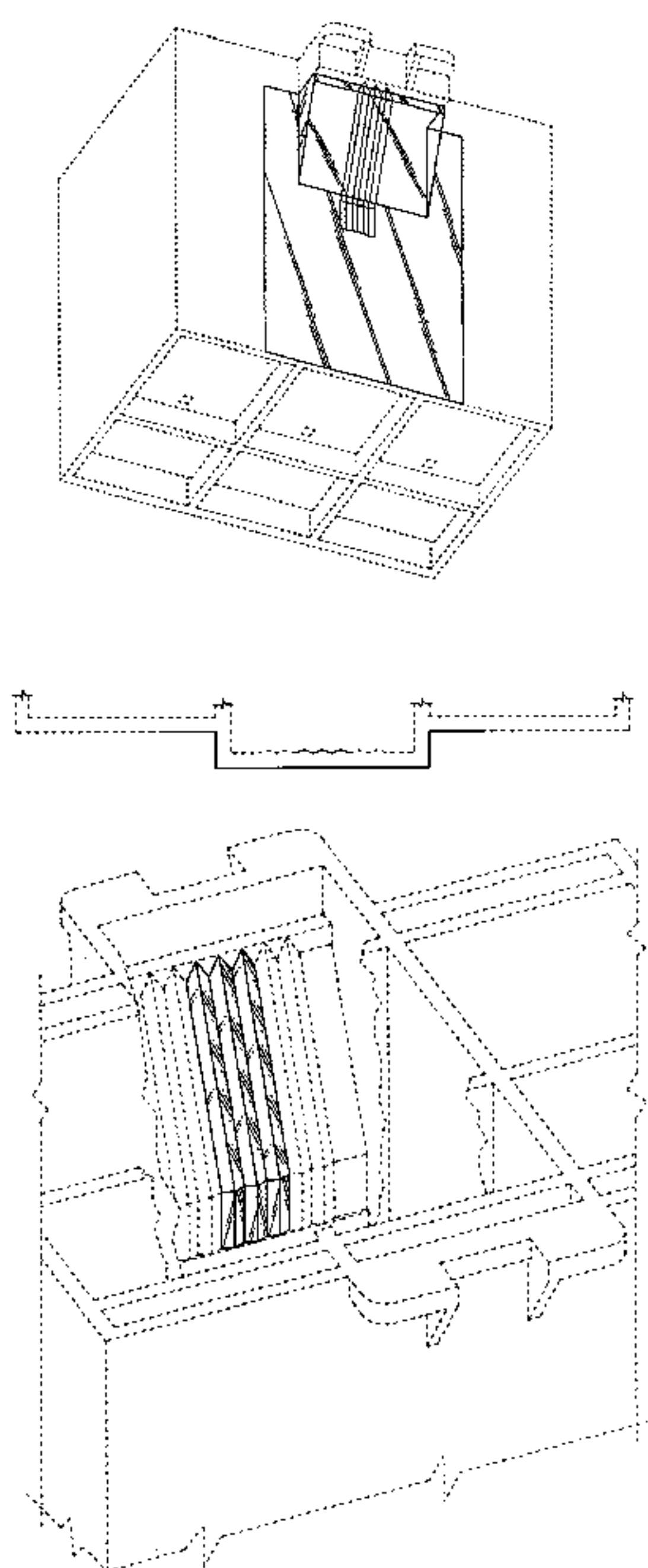
**DESCRIPTION**

FIG. 1 is a bottom perspective view of an ink cartridge; FIG. 2 is a front view thereof; FIG. 3 is a right side view thereof, the left side view being a mirror image; FIG. 4 is an enlarged side profile view thereof taken along the line 4—4 of FIG. 2; FIG. 5 is a sectional view thereof taken along the plane 5—5 of FIG. 2; and, FIG. 6 is a fragmentary, cut-away perspective view showing the interior surface of the ribs and with the front surface omitted for clarity of illustration.

The claimed design relates to an ink cartridge made of a transparent material and having ribs arranged on an inclined surface inside of the ink cartridge.

The broken lines define the bounds of the claimed design but do not form part of the claimed design.

**1 Claim, 5 Drawing Sheets**



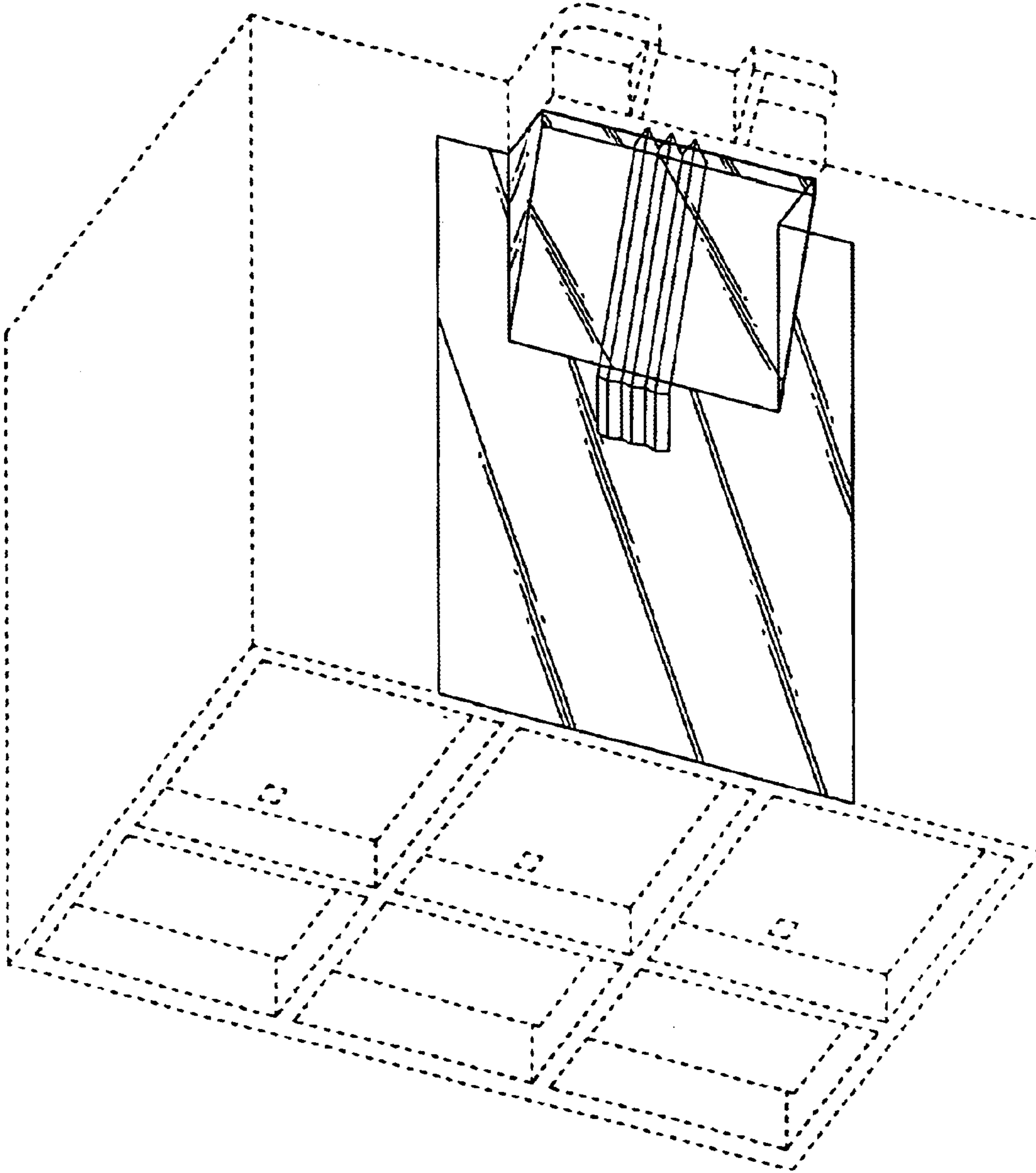


Fig. 1

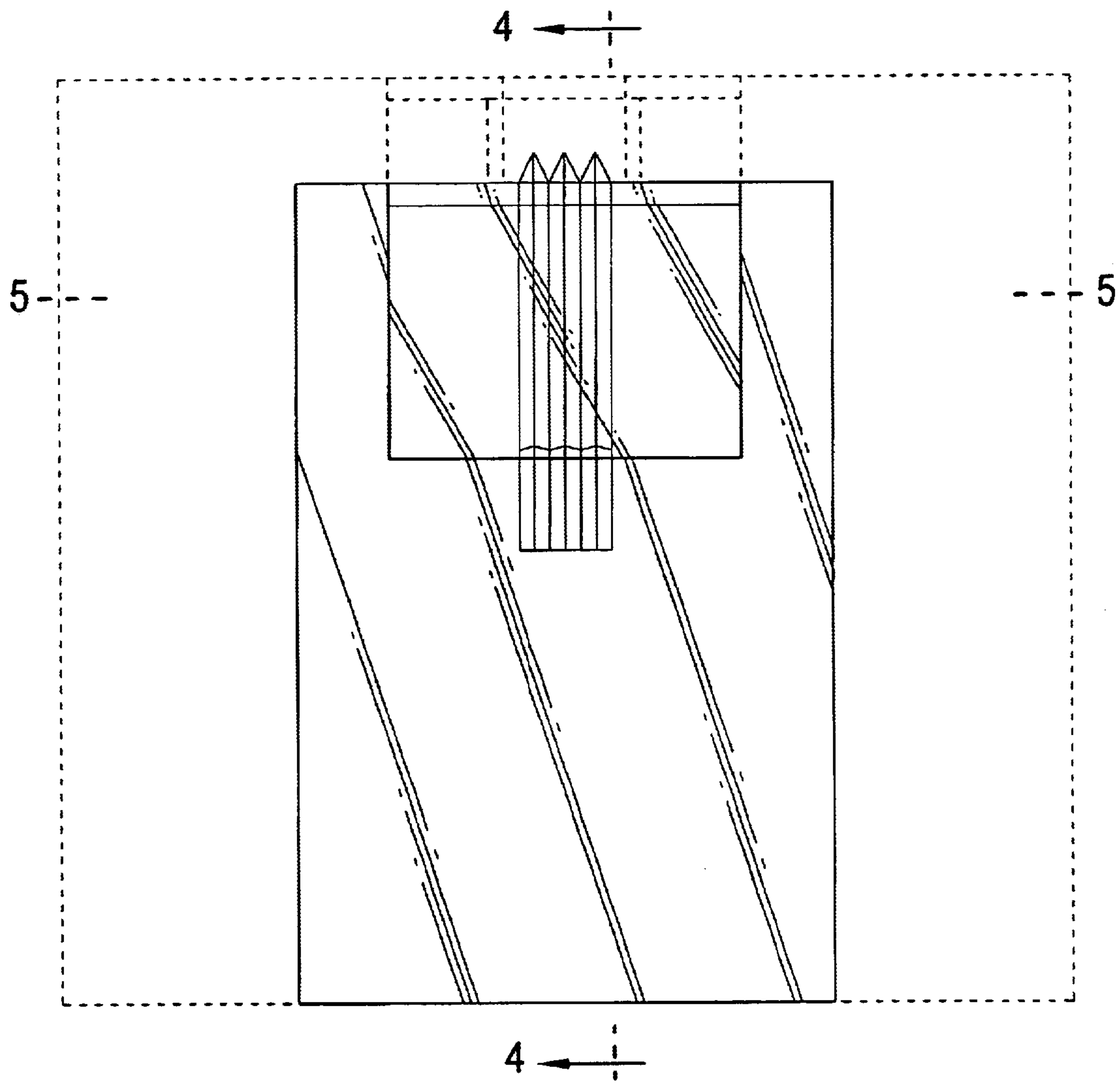


Fig. 2

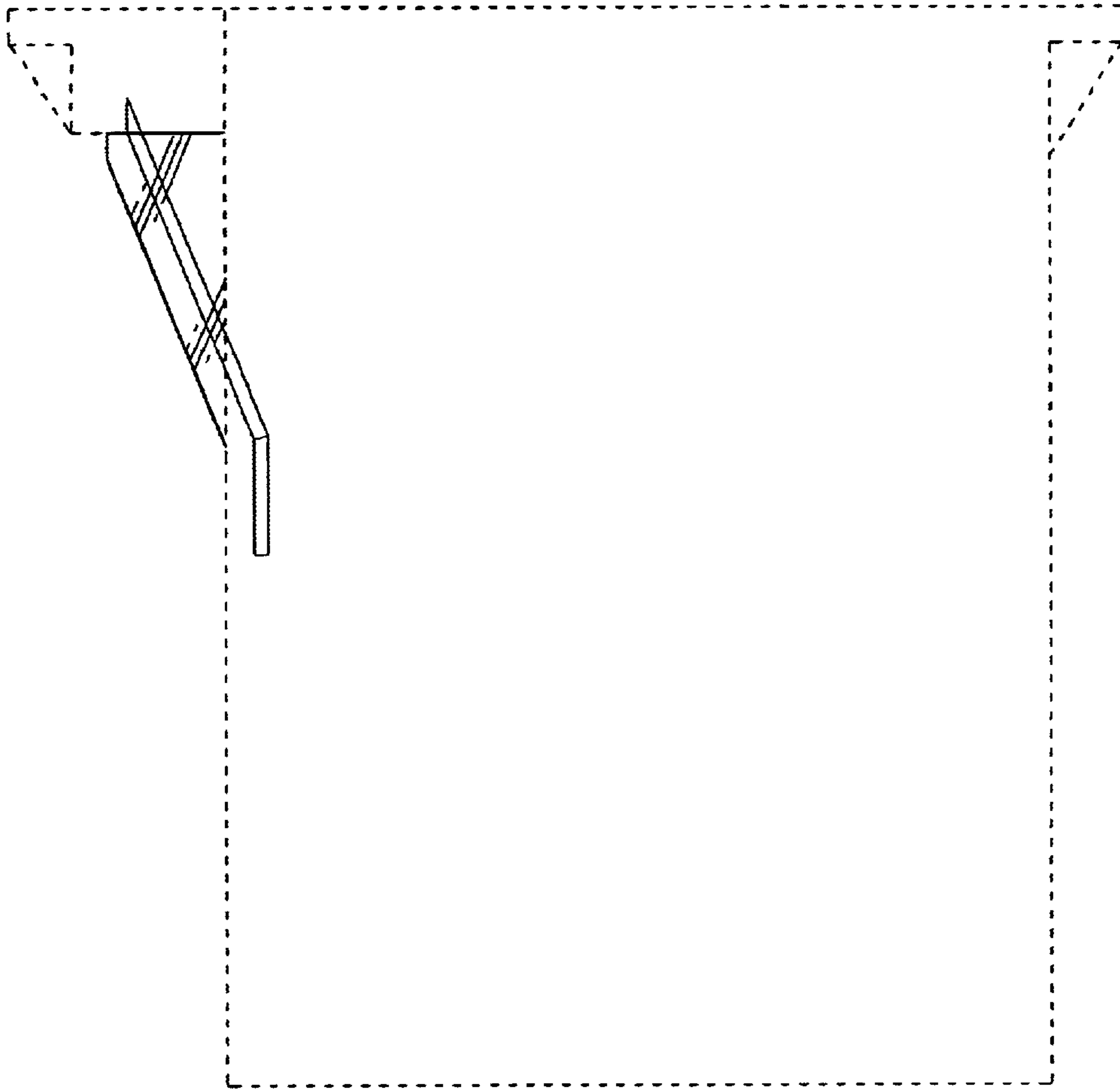


Fig. 3

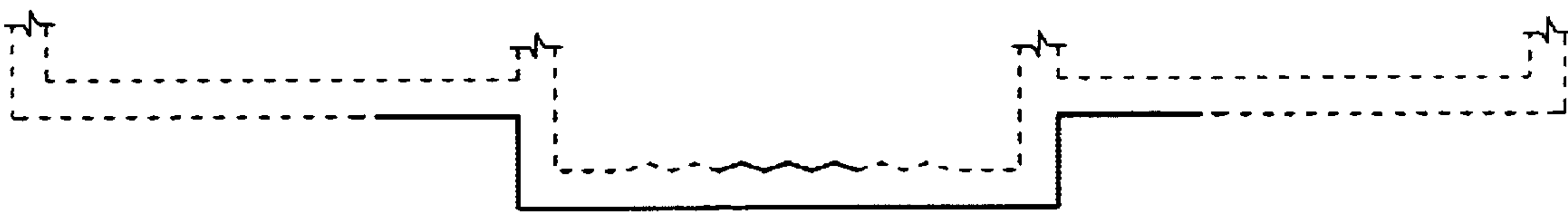


Fig. 5

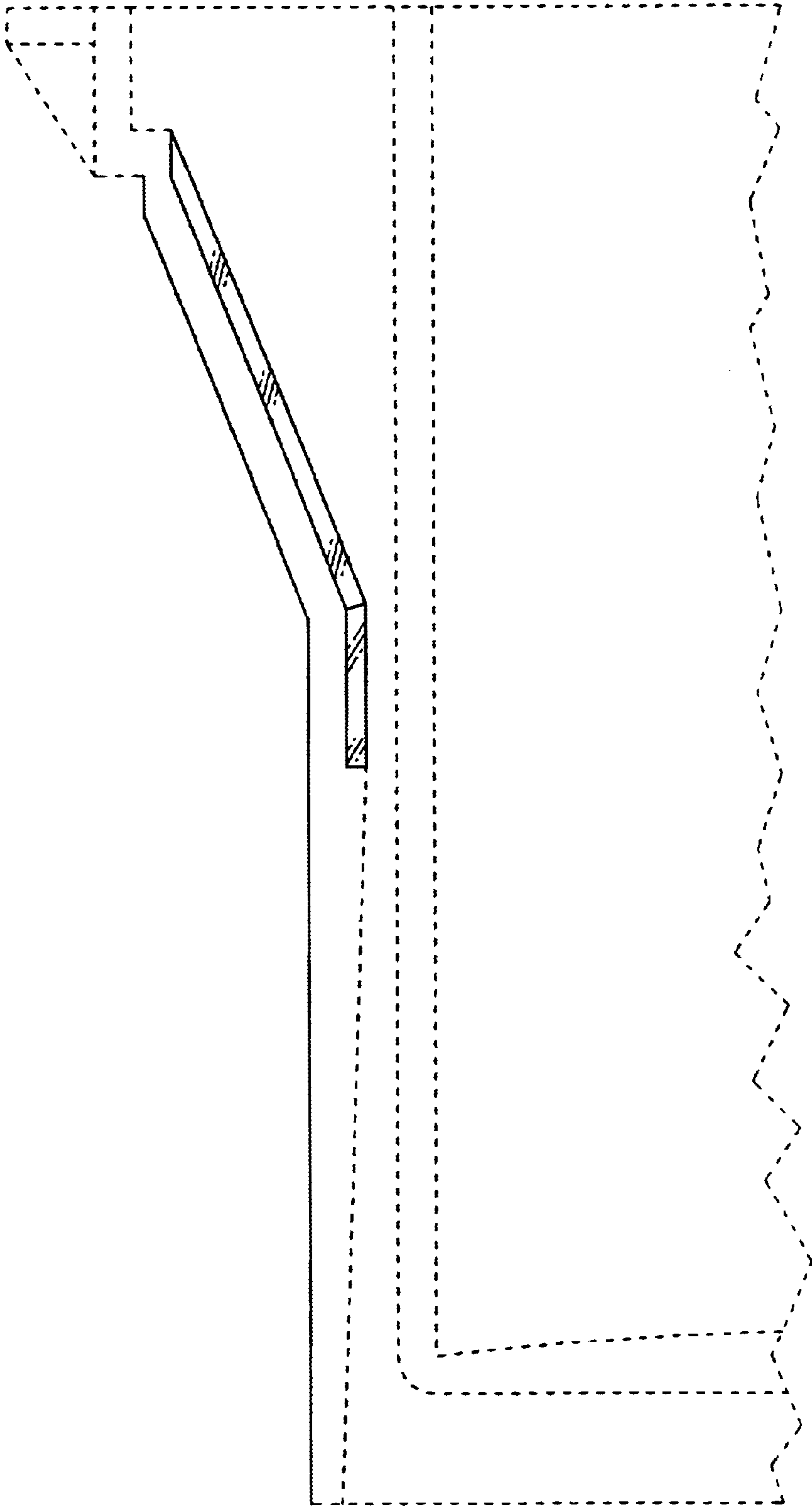


Fig. 4

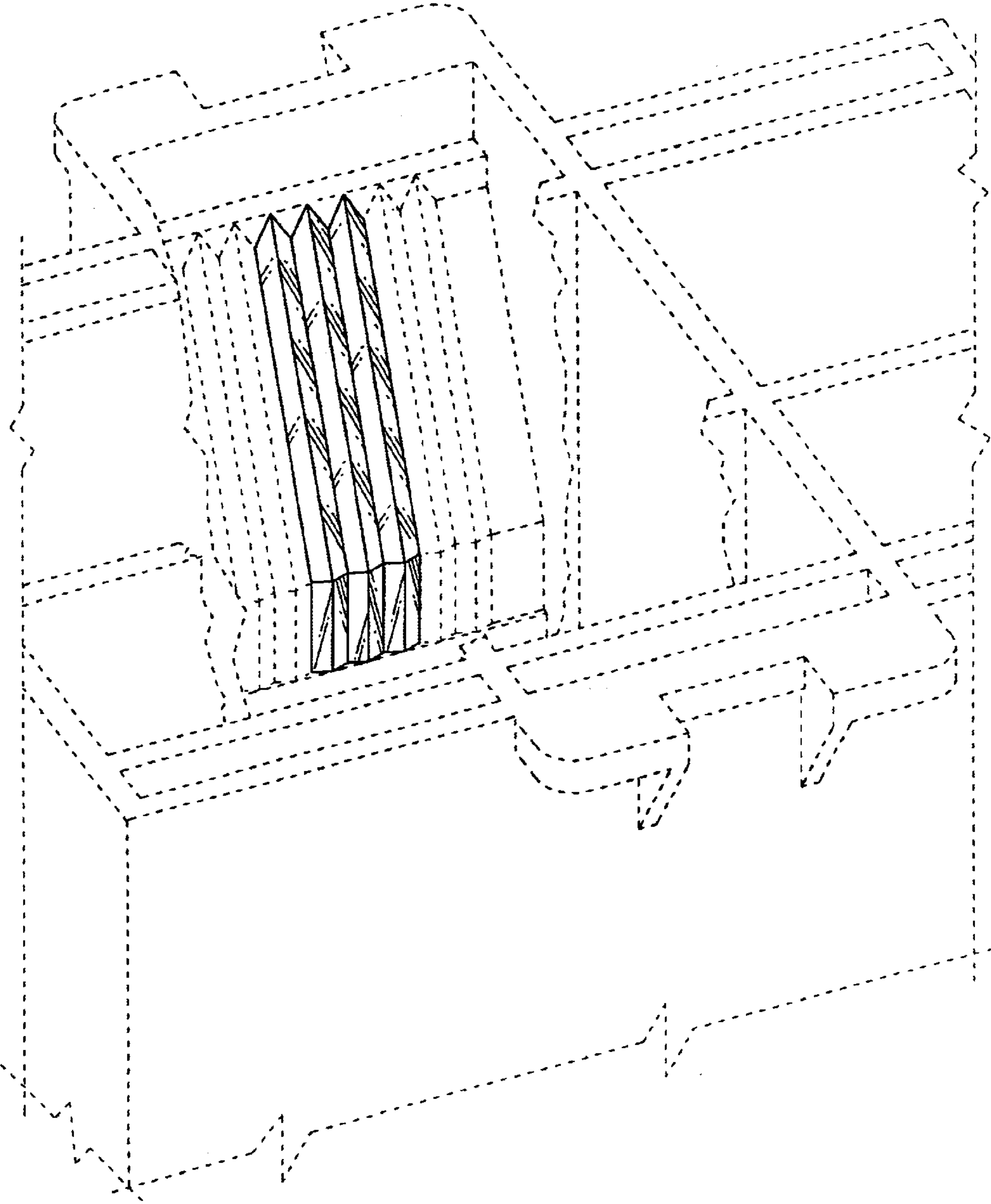


Fig. 6