

US00D493817S1

(12) **United States Design Patent**
Yoshida et al.

(10) **Patent No.: US D493,817 S**
(45) **Date of Patent: ** Aug. 3, 2004**

(54) **COPYING MACHINE**

(75) Inventors: **Kenzoh Yoshida**, Nara-ken (JP);
Fumikazu Shimanuki, Nara-ken (JP)

(73) Assignee: **Sharp Kabushiki Kaisha**, Osaka (JP)

(**) Term: **14 Years**

(21) Appl. No.: **29/188,737**

(22) Filed: **Aug. 25, 2003**

(30) **Foreign Application Priority Data**

Apr. 10, 2003 (JP) 2003-010125

(51) **LOC (7) Cl. 16-03**

(52) **U.S. Cl. D18/39**

(58) **Field of Search** D18/36-45, 50,
D18/53, 54-56; 355/97; 399/1-7, 81, 107,
108, 130, 151

(56) **References Cited**

U.S. PATENT DOCUMENTS

D354,076 S 1/1995 Fukuda D18/36
D374,454 S * 10/1996 Naruki et al. D18/36
D378,099 S 2/1997 Yoshida et al. D18/36
D406,161 S 2/1999 Yoshida et al. D18/36
D415,787 S * 10/1999 Clark et al. D18/36

D423,040 S 4/2000 Ohta et al. D18/36
D425,929 S * 5/2000 Imai D18/36
D428,049 S * 7/2000 Imai D18/36
D433,439 S * 11/2000 Yoshida et al. D18/36
D435,858 S 1/2001 Hatanaka et al. D18/39
D447,765 S 9/2001 Hatanaka et al. D18/39
D458,298 S * 6/2002 Katsuyama et al. D18/36
D459,752 S * 7/2002 Shiozaki D18/36

* cited by examiner

Primary Examiner—Caron D. Veynar

(74) *Attorney, Agent, or Firm*—Nixon & Vanderhye P.C.

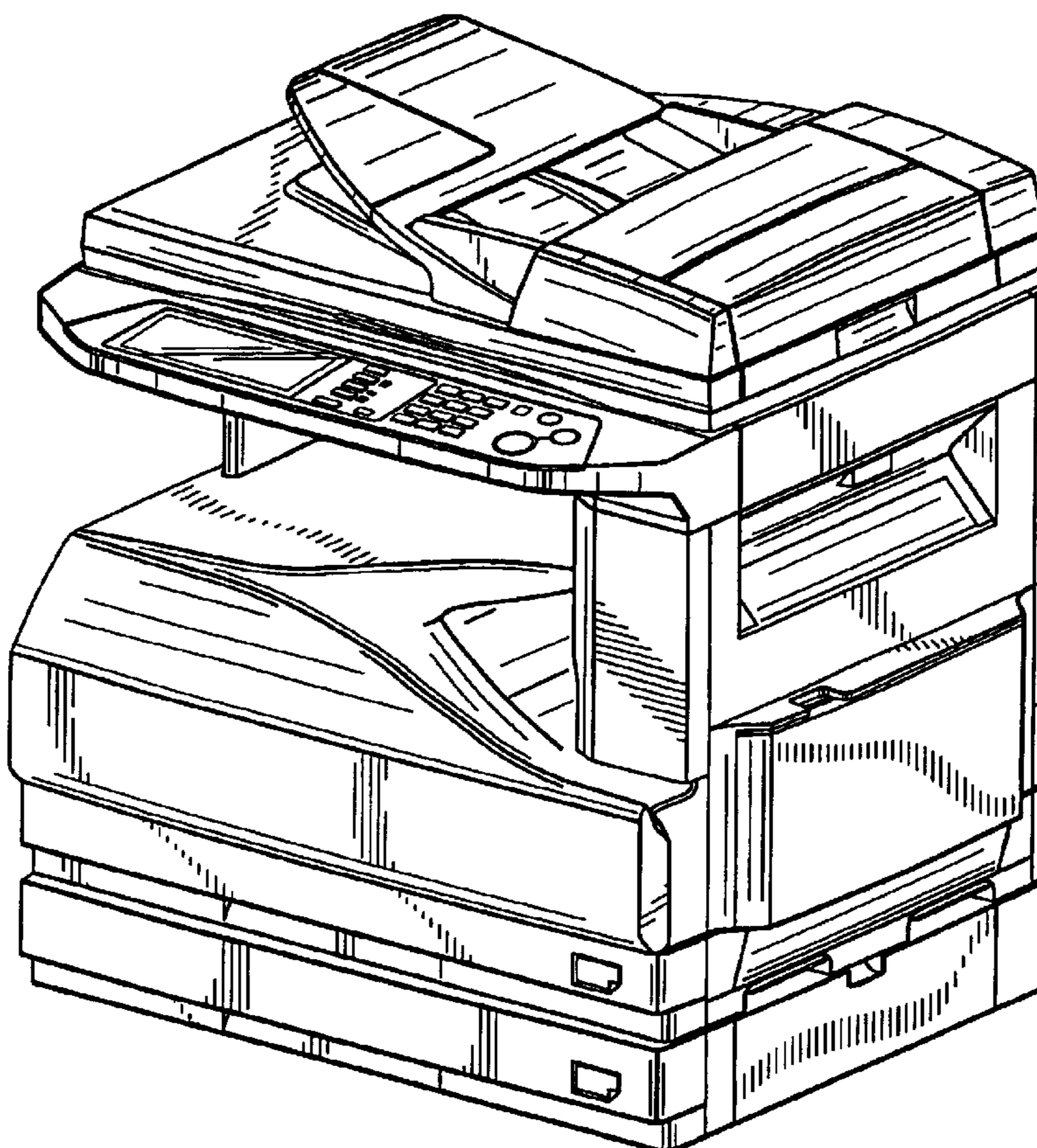
(57) **CLAIM**

The ornamental design for a “copying machine,” as shown and described.

DESCRIPTION

FIG. 1 is a top, front and right side perspective view of a copying machine according to our design; FIG. 2 is a front elevational view thereof; FIG. 3 is a rear elevational view thereof; FIG. 4 is a right side elevational view thereof; FIG. 5 is a left side elevational view thereof; FIG. 6 is a top plan view thereof; and, FIG. 7 is a bottom plan view thereof.

1 Claim, 6 Drawing Sheets



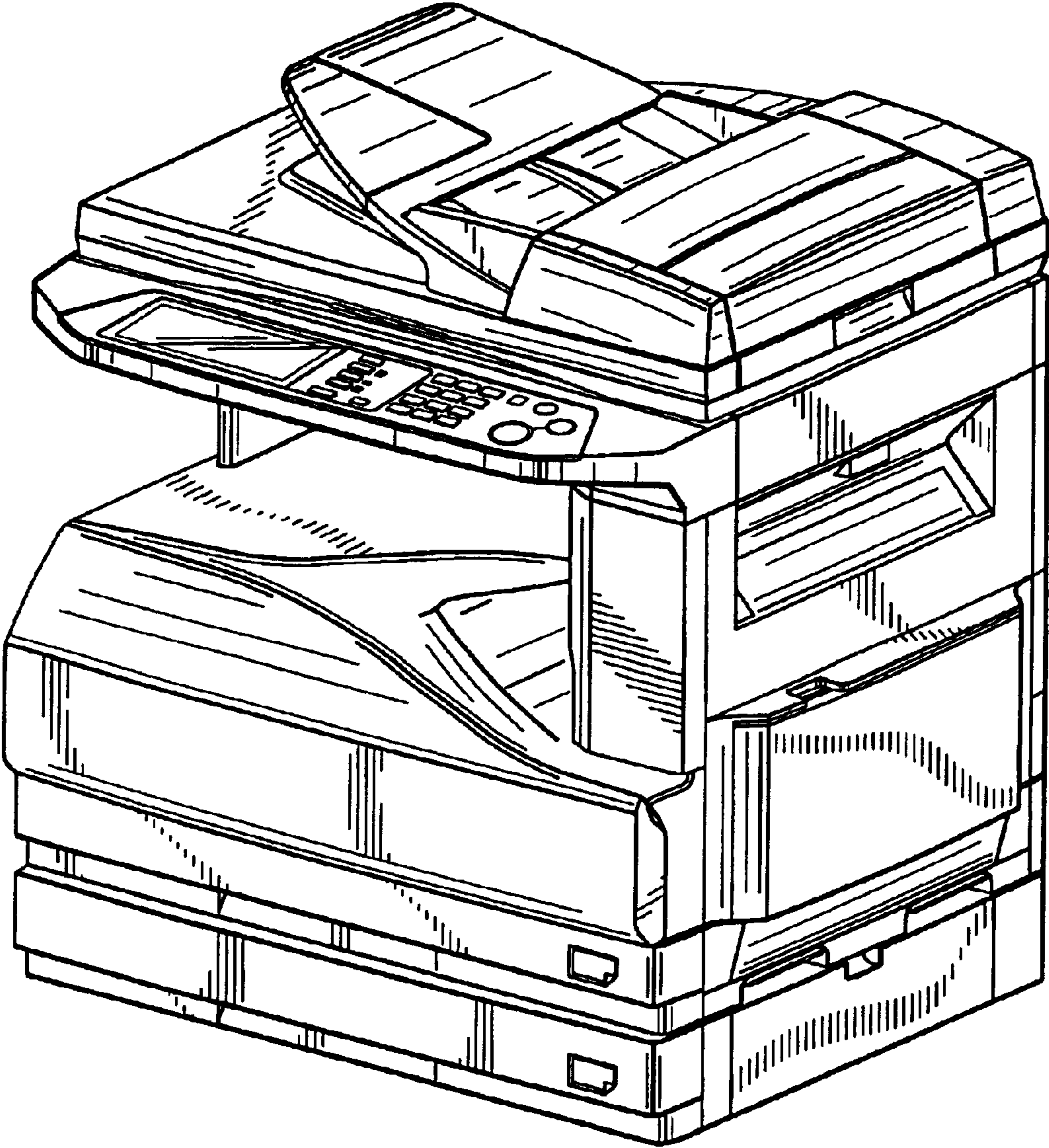


Fig.1

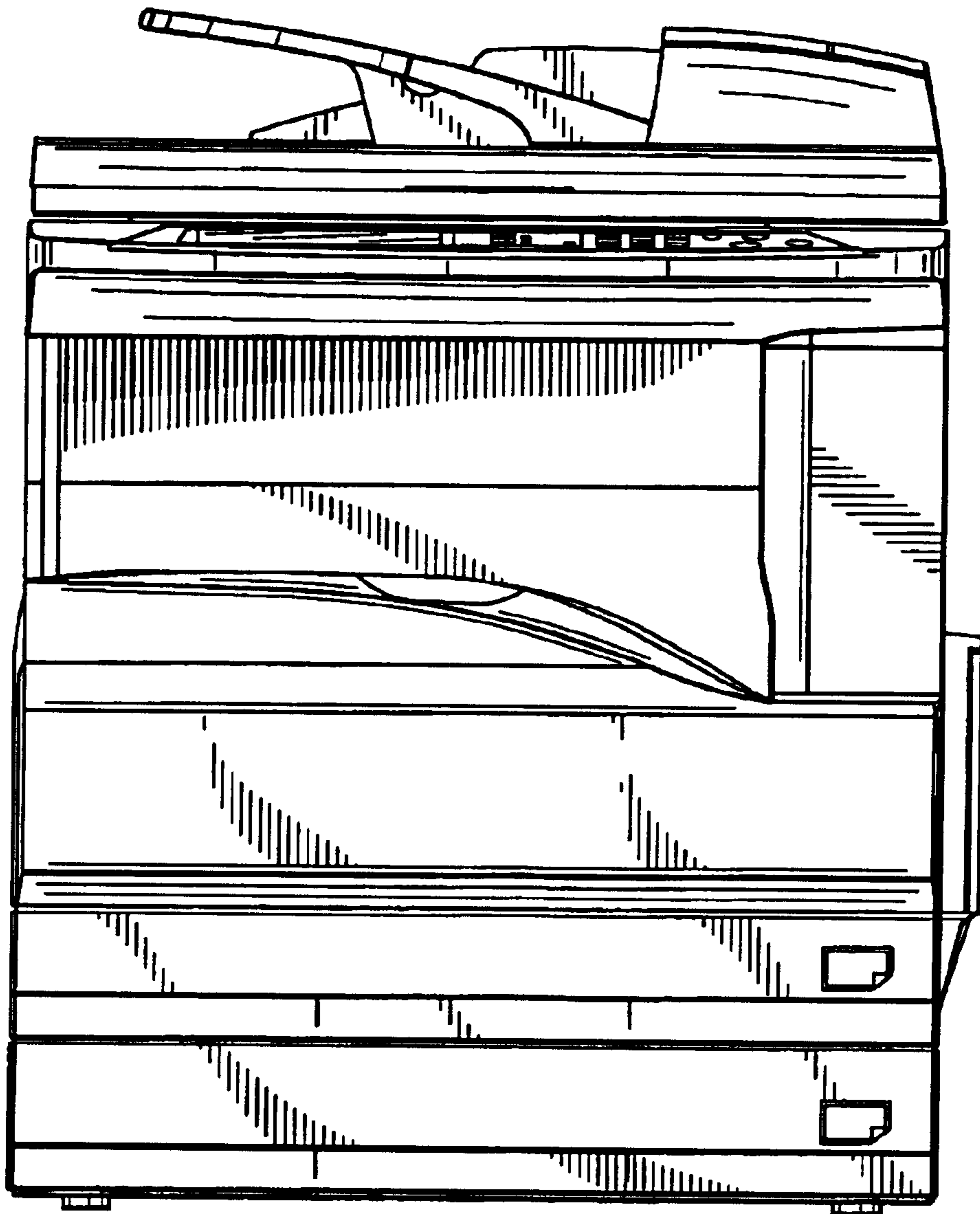


Fig.2

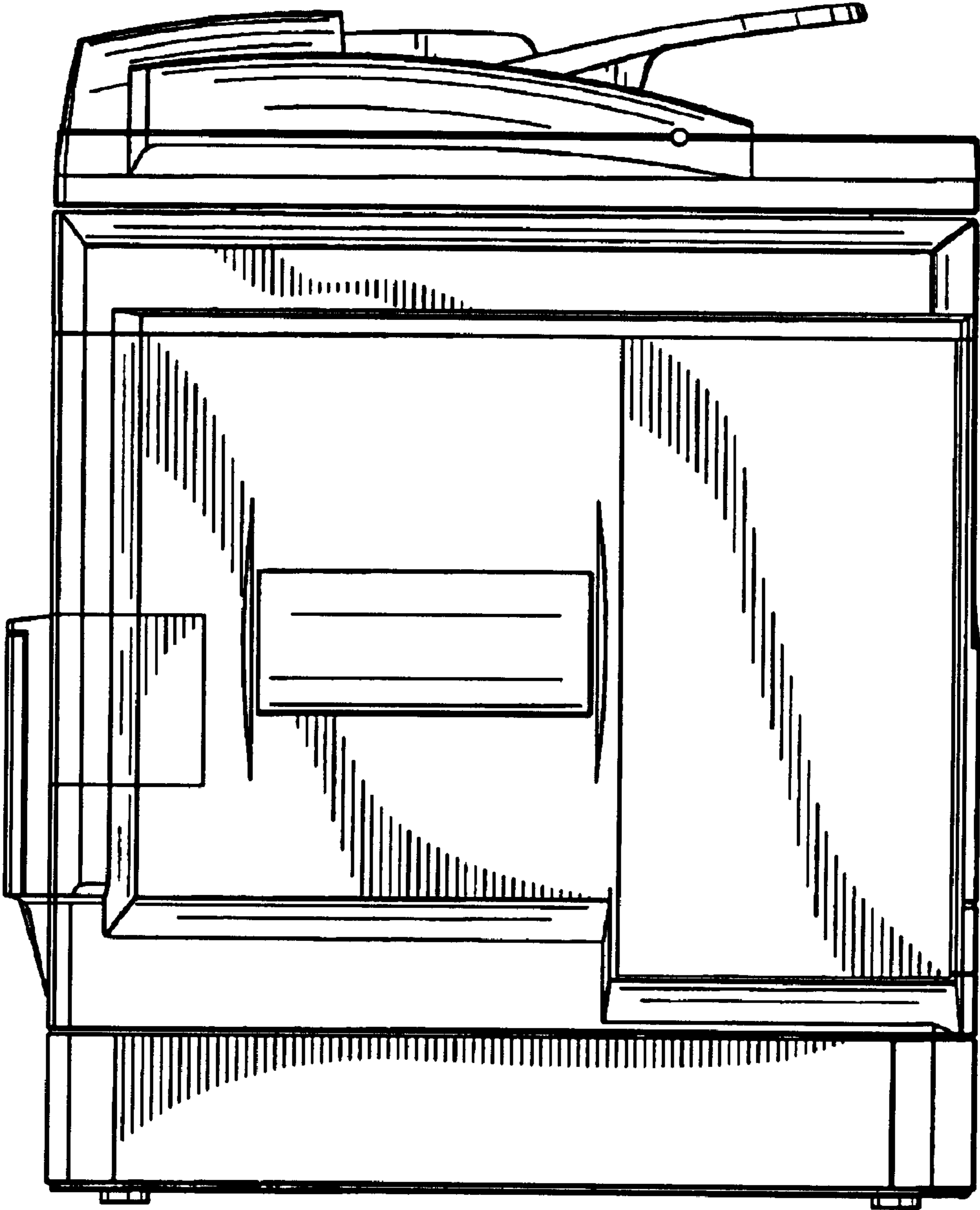


Fig.3

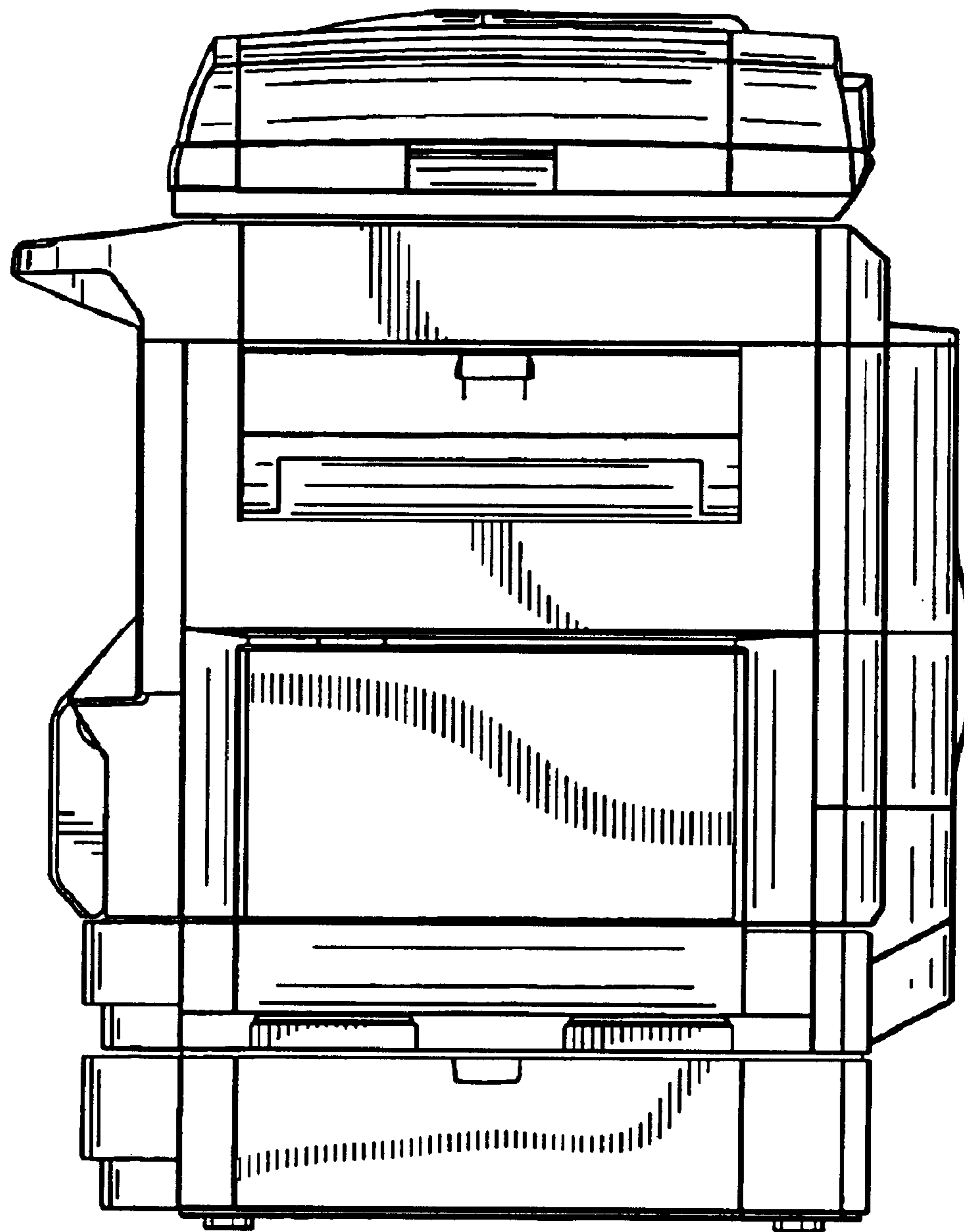


Fig.4

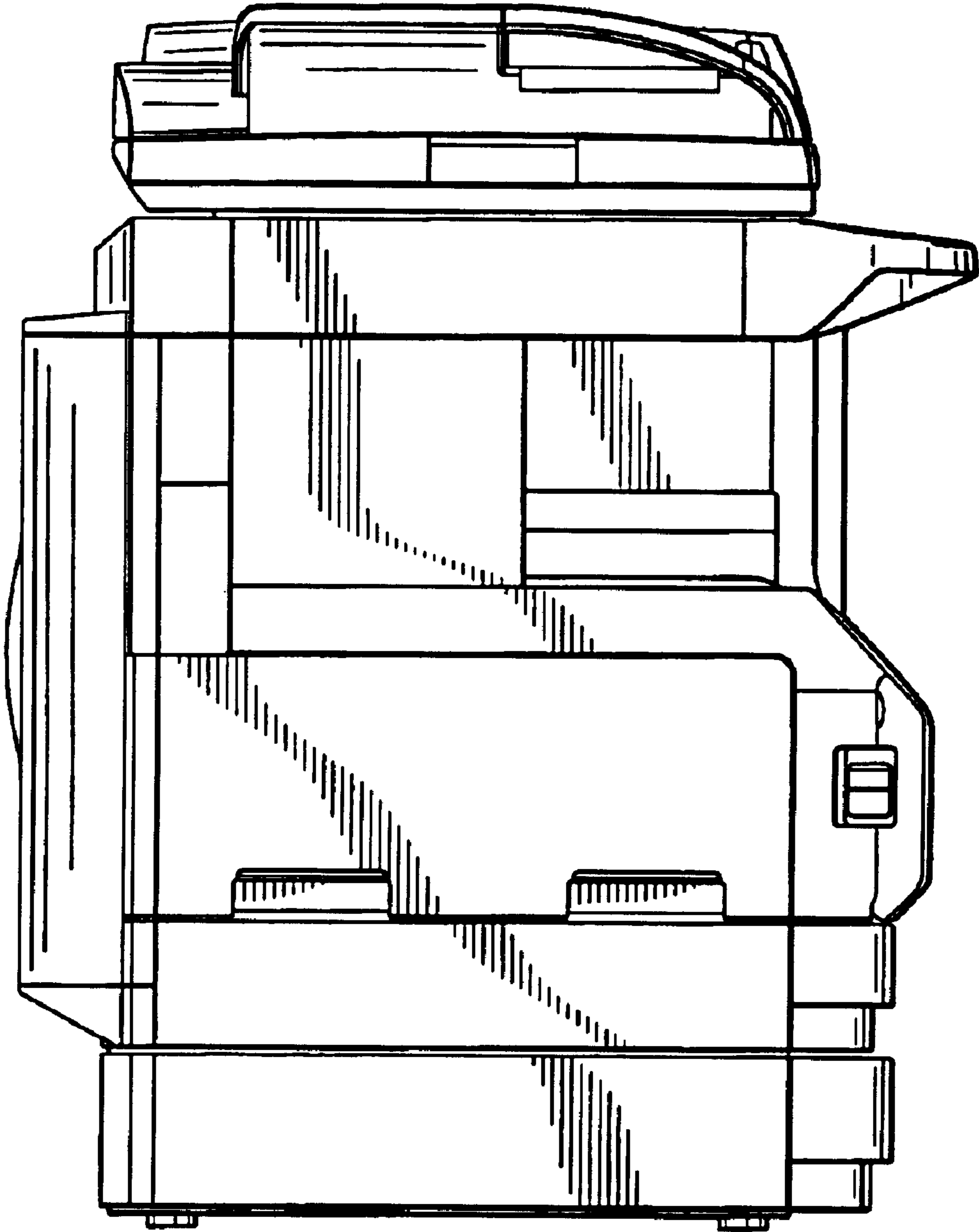


Fig.5

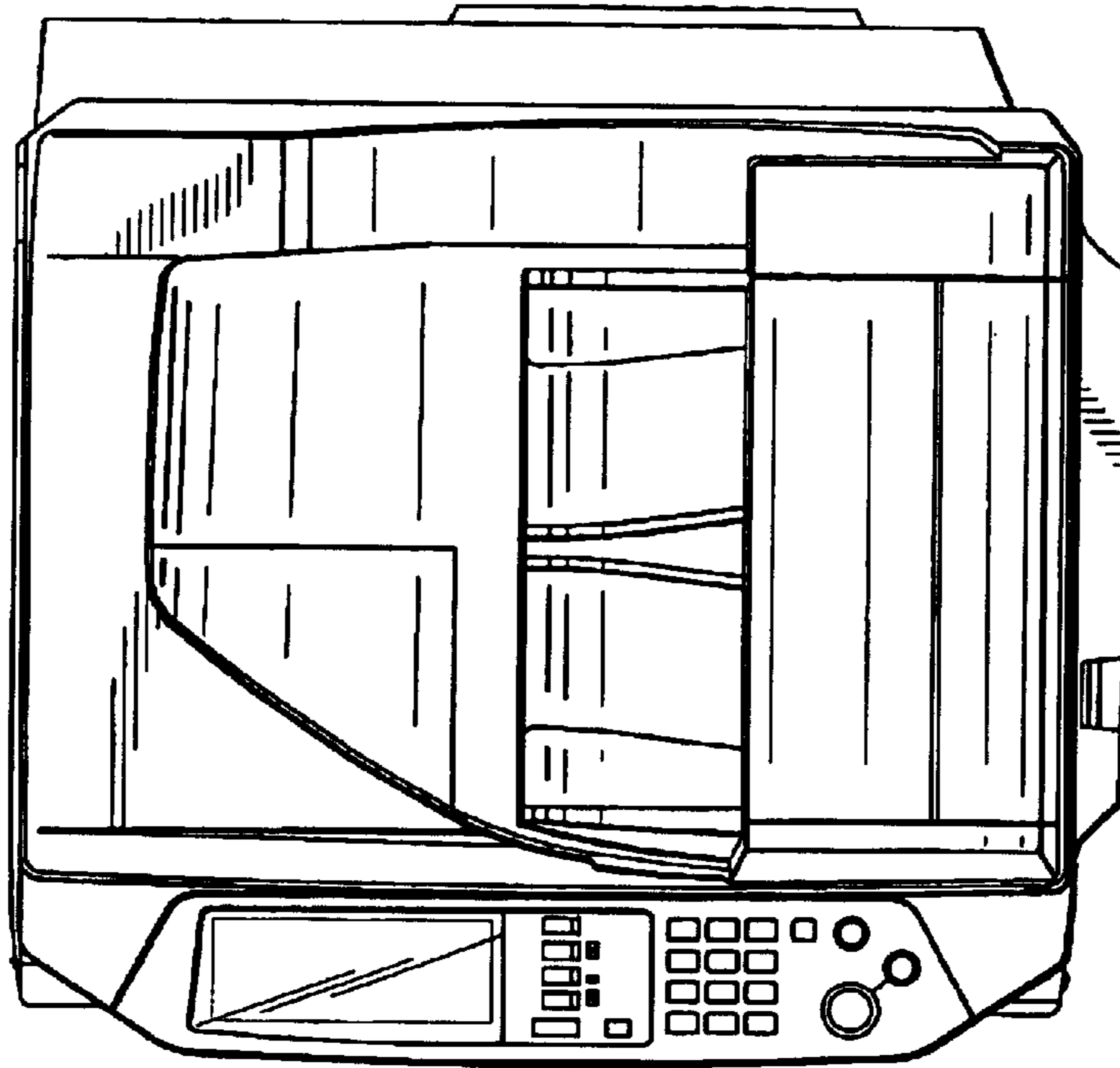


Fig.6

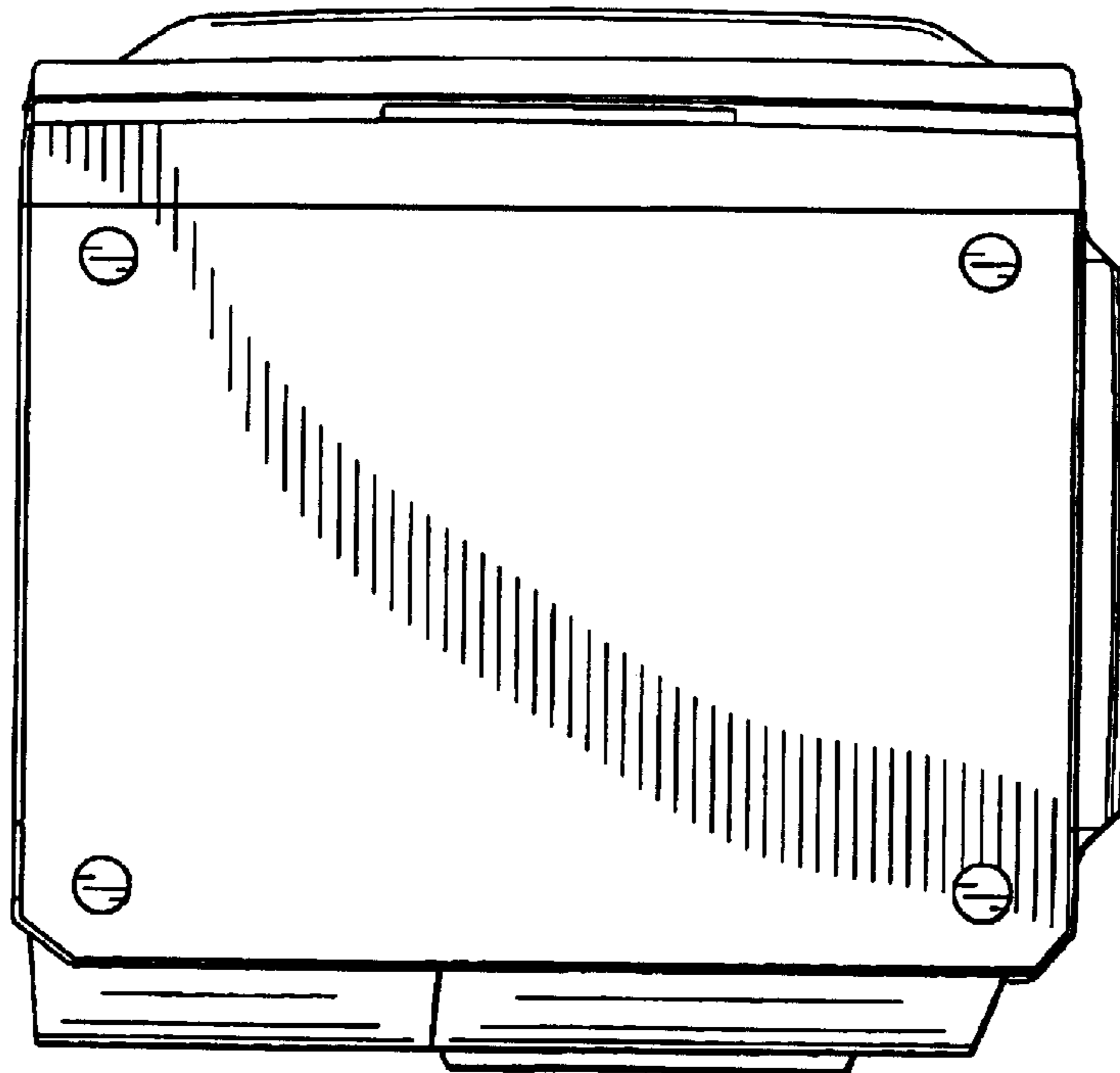


Fig.7