

US00D493814S1

(12) **United States Design Patent**
Rudolph

(10) **Patent No.:** **US D493,814 S**
(45) **Date of Patent:** **** Aug. 3, 2004**

(54) **ROTATING, SLIDING ACTIVATOR SPOOL FOR DUAL NECK PEDAL STEEL GUITARS**

(75) **Inventor:** **William G. Rudolph**, 20230 Vintage Dr., Oak Grove, MN (US) 55303

(73) **Assignee:** **William G. Rudolph**, Oak Grove, MN (US)

(**) **Term:** **14 Years**

(21) **Appl. No.:** **29/135,466**

(22) **Filed:** **May 30, 2002**

(51) **LOC (7) Cl.** **17-03**

(52) **U.S. Cl.** **D17/20**

(58) **Field of Search** D17/9, 15, 20-21, D17/99; 84/303, 297 R, 197, 200, 204, 304, 306, 293, 312 P, 312 R, 314 N, 314 R; D8/396-397

(56) **References Cited**

U.S. PATENT DOCUMENTS

D35,028 S	*	9/1901	Ricker	D8/396
D208,753 S	*	9/1967	Curry	D23/245
3,854,685 A	*	12/1974	Parduhn	248/214
4,147,087 A	*	4/1979	Peters, Jr. et al.	84/312 R
D256,471 S	*	8/1980	Spercel	D17/20
D267,410 S	*	12/1982	Spercel	D17/20
4,377,963 A	*	3/1983	Siminoff	84/297 R
4,452,120 A	*	6/1984	Chance et al.	84/306
4,509,399 A	*	4/1985	McKibben	84/216
4,557,174 A	*	12/1985	Gressett, Jr.	84/293

D344,672 S	*	3/1994	Current	D8/373
5,458,036 A	*	10/1995	Monaco	84/319
5,955,689 A	*	9/1999	Feiten et al.	84/312 R
6,002,075 A	*	12/1999	Carter	84/312 P
D434,065 S	*	11/2000	Morse	D17/20
D442,209 S	*	5/2001	Dervis	D17/20

* cited by examiner

Primary Examiner—Ruth McInroy

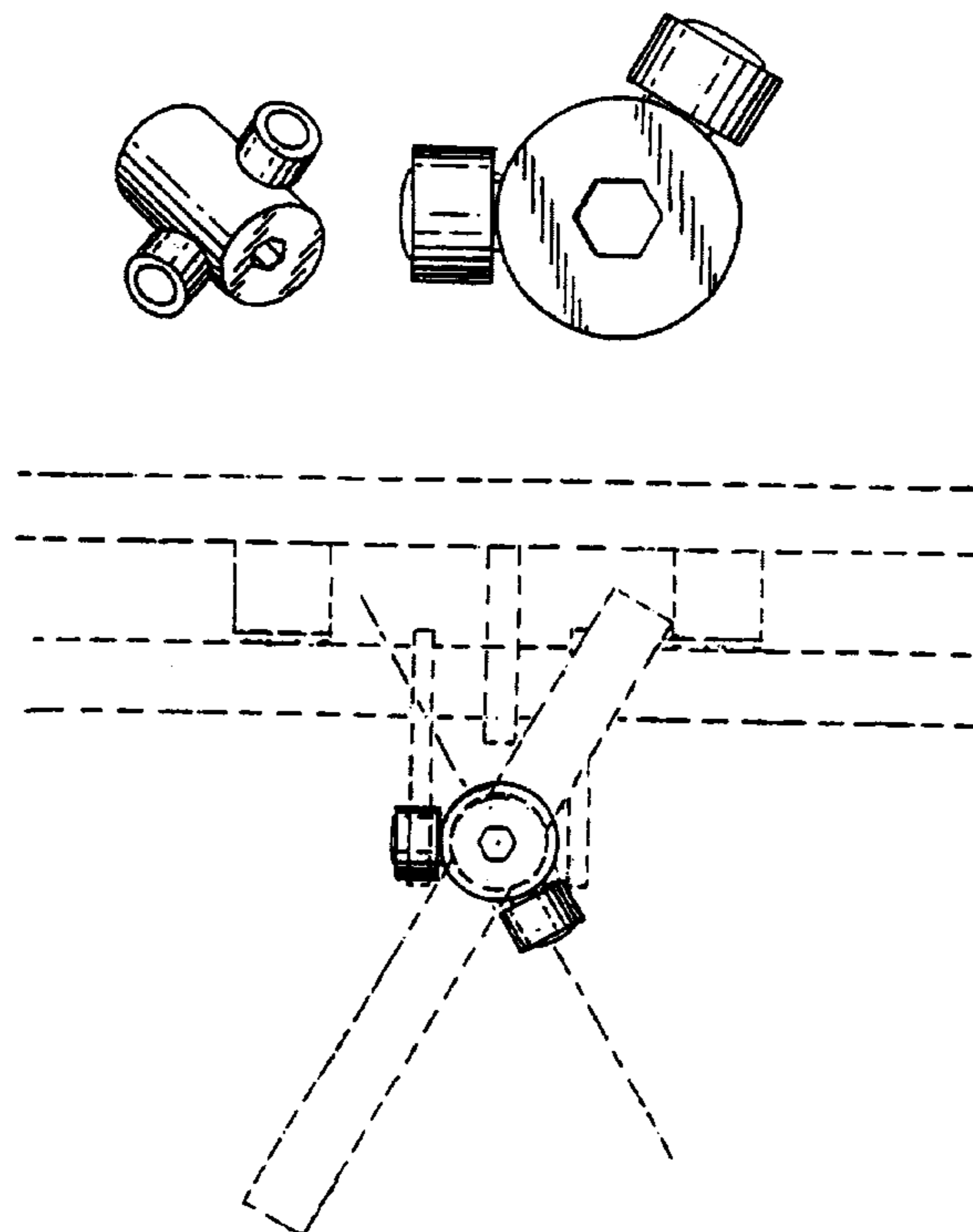
(57) **CLAIM**

I claim the ornamental design for a rotating, sliding activator spool for dual neck pedal steel guitars, as shown and described.

DESCRIPTION

FIG. 1 is a perspective view of a rotating, sliding activator spool showing my new design;
 FIG. 2 is an enlarged left side view of FIG. 1;
 FIG. 3 is a front view thereof, the rear view is a mirror image thereof;
 FIG. 4 is a top view thereof;
 FIG. 5 is a bottom view thereof;
 FIG. 6 is a right side thereof;
 FIG. 7 is an elevation view showing the mounting of rotating, sliding activator spool on a dual neck pedal steel guitar shown in dotted; and,
 FIG. 8 is top view of dual neck pedal steel guitar shown in dotted with the rotating, sliding activator spool shown in the mounting thereof.

1 Claim, 2 Drawing Sheets



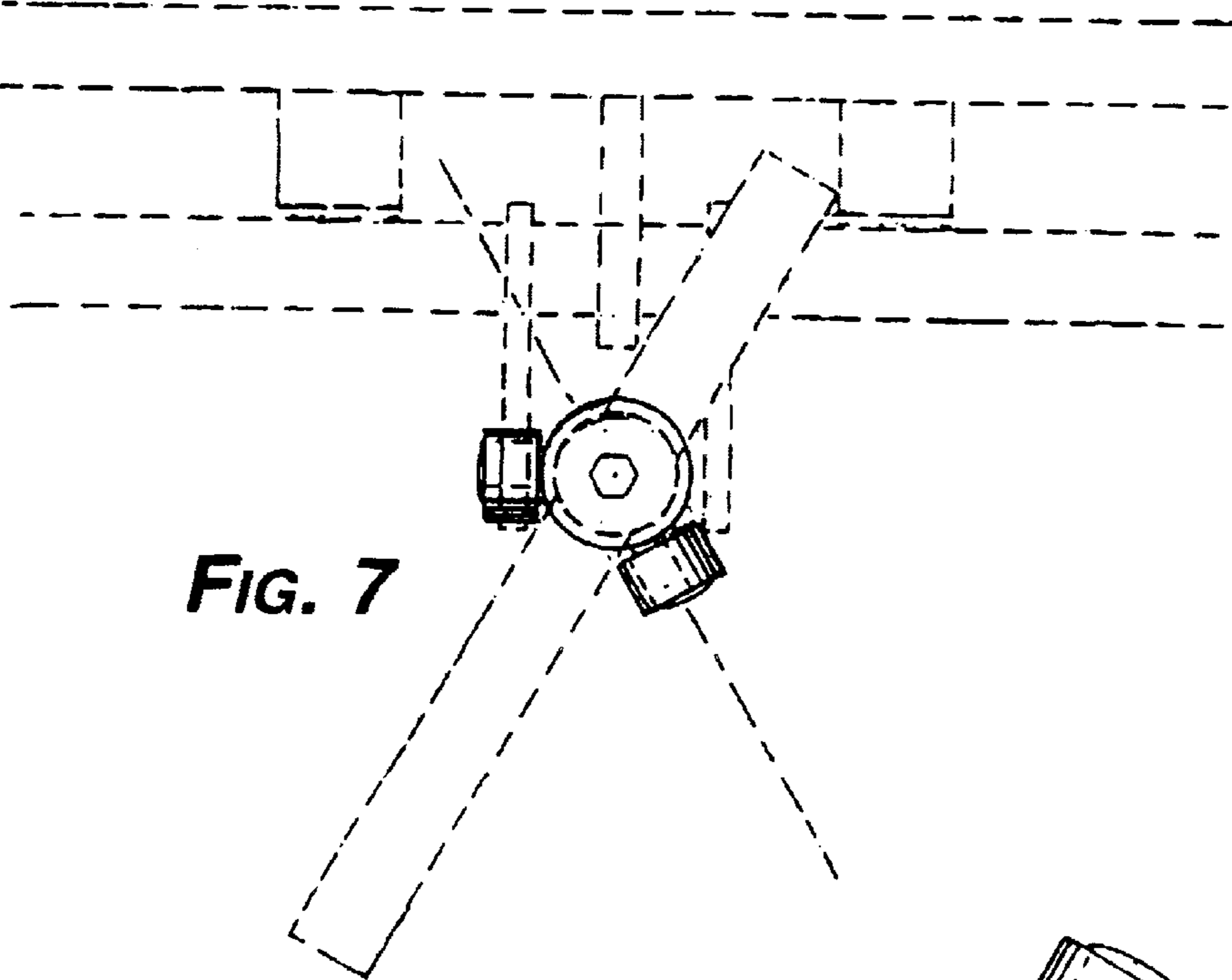


FIG. 7

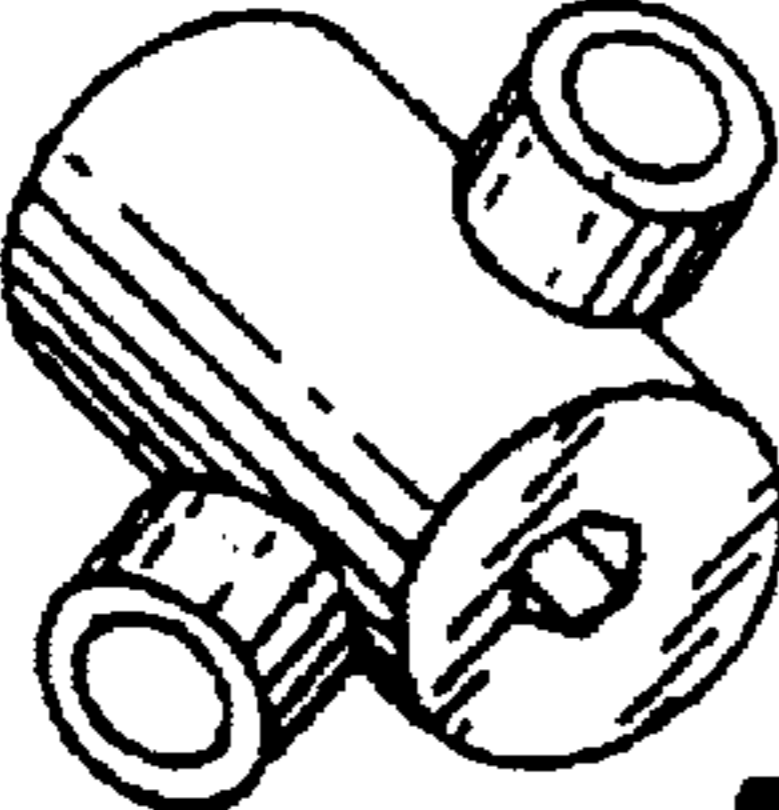


FIG. 1

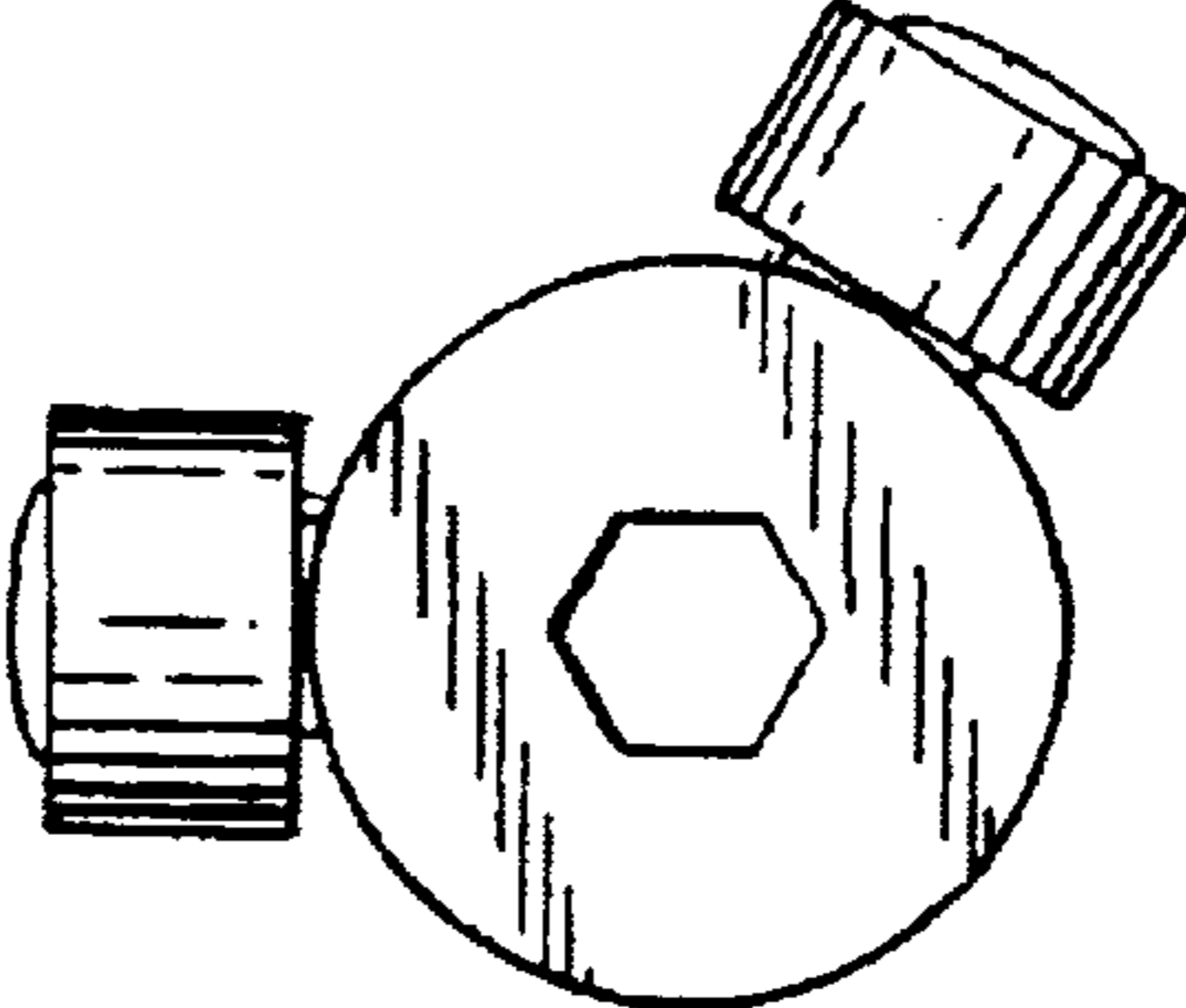


FIG. 3

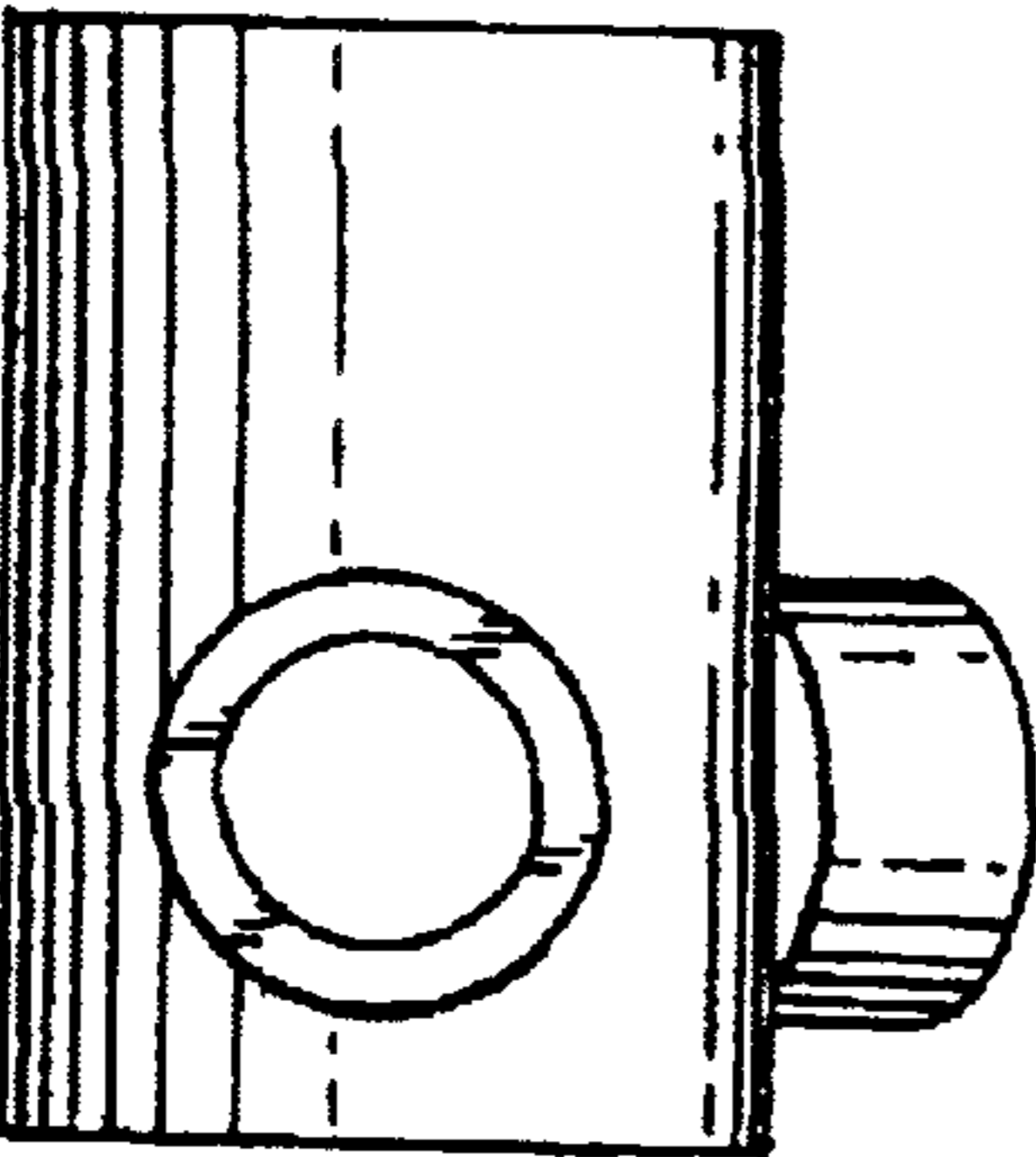


FIG. 2

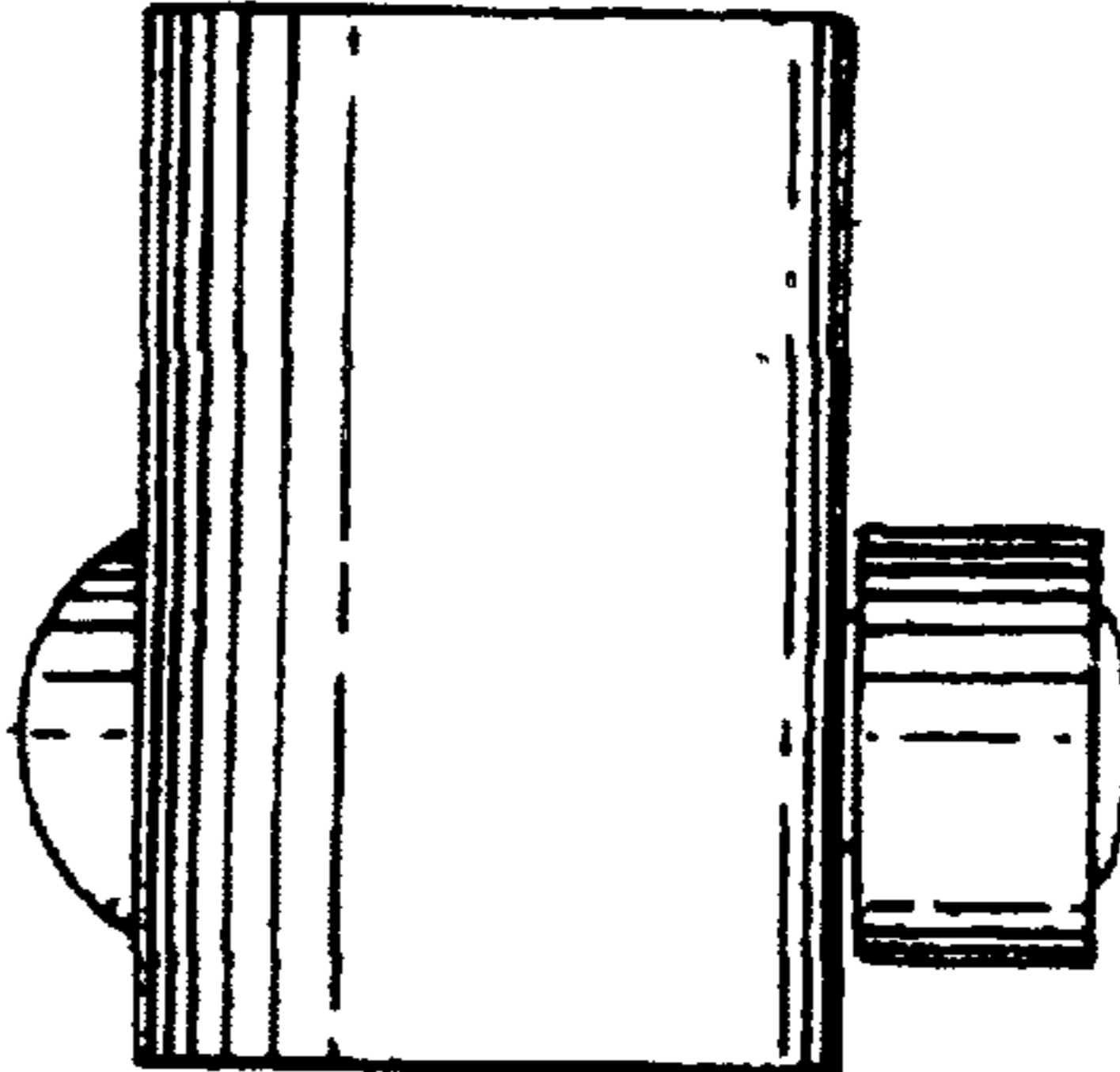


FIG. 4

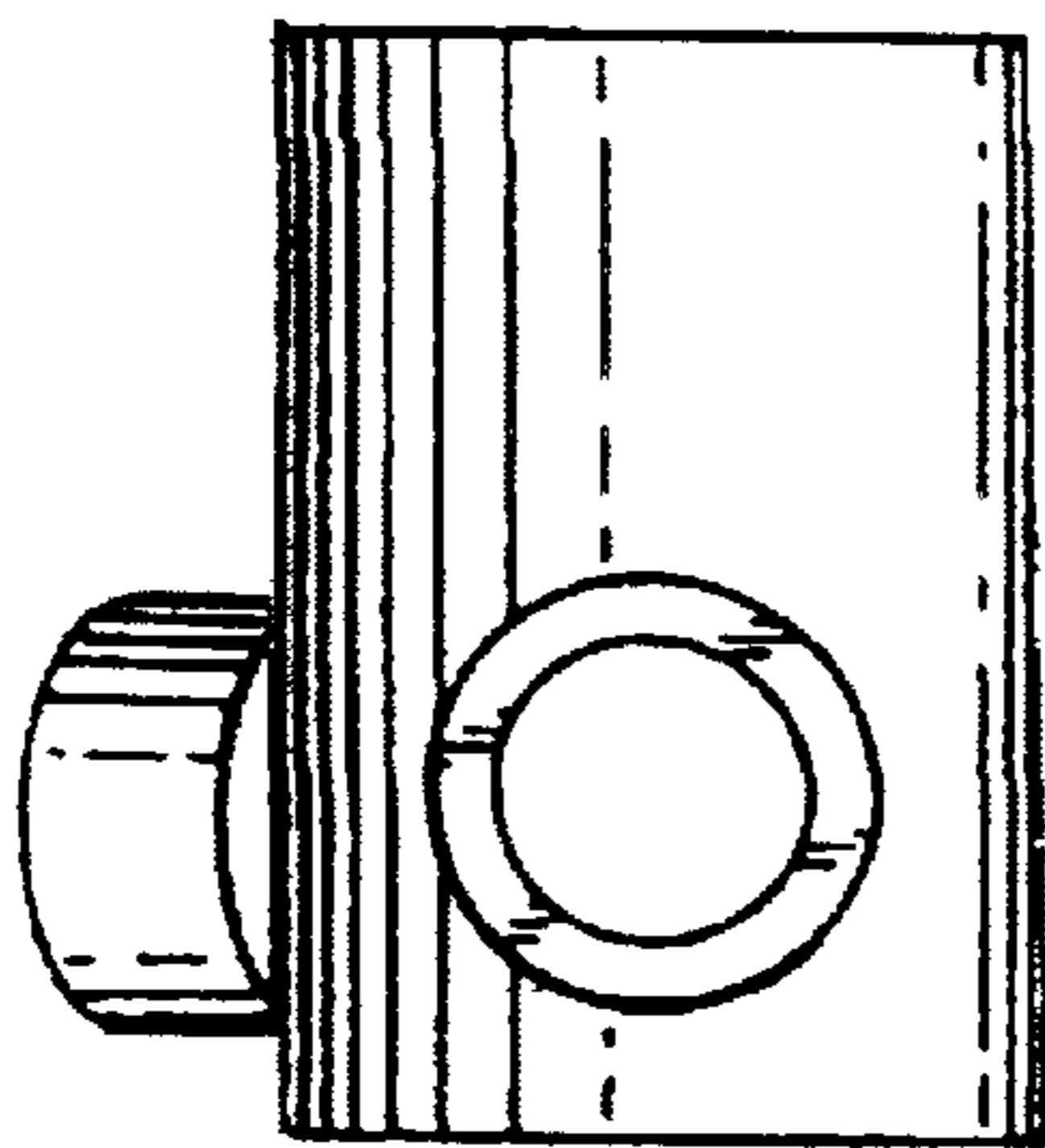


FIG. 6

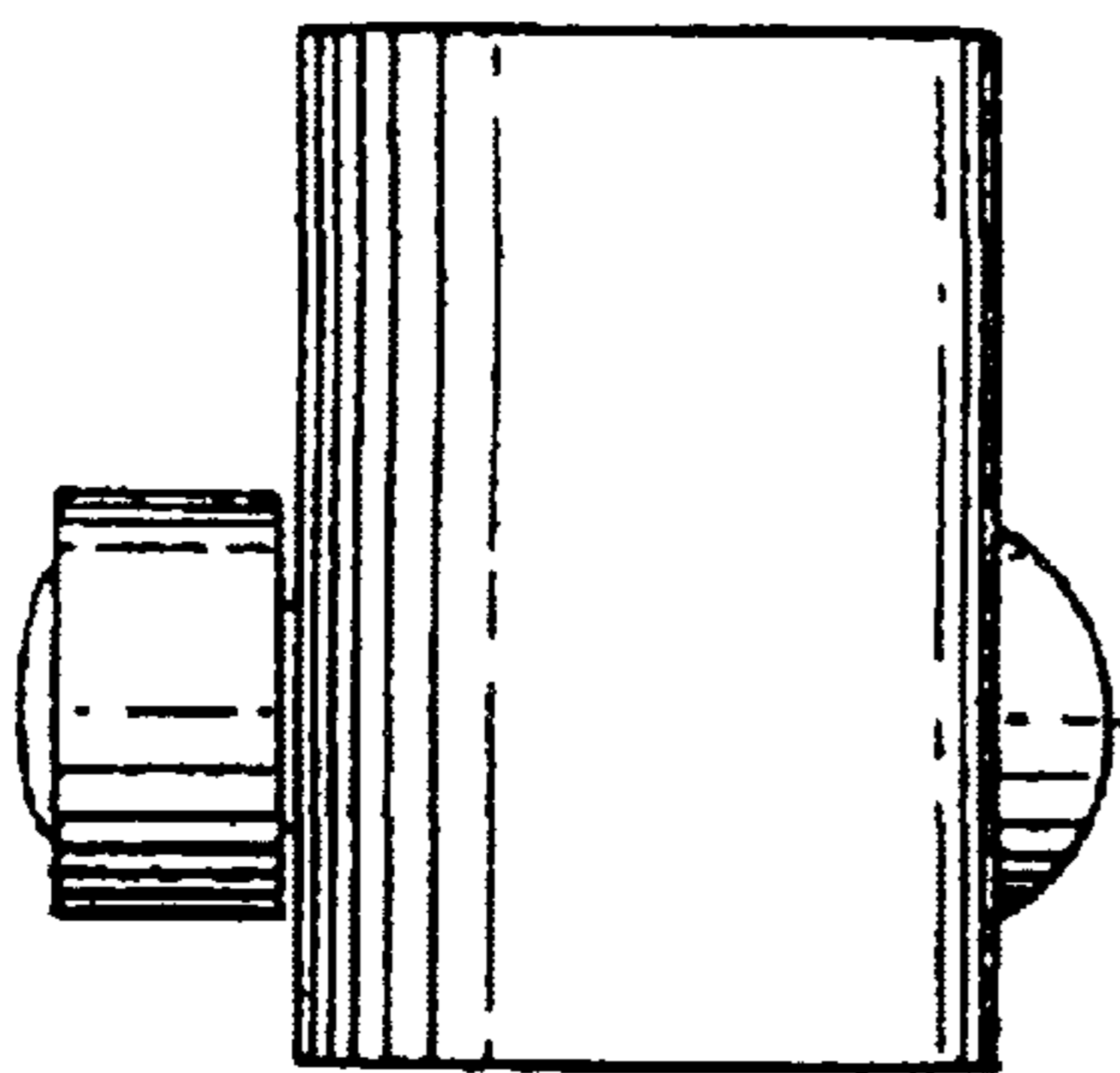


FIG. 5

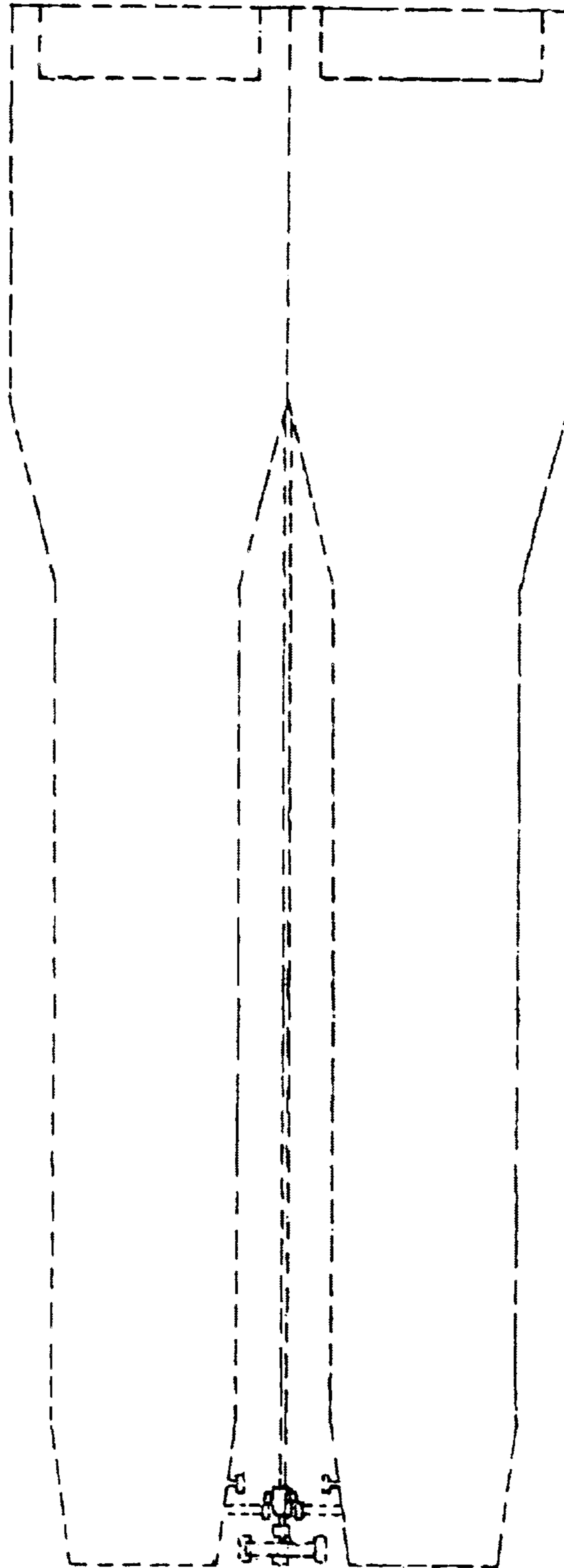


FIG. 8