

US00D493812S1

(12) **United States Design Patent**
Mudd et al.

(10) **Patent No.:** **US D493,812 S**
(45) **Date of Patent:** **** Aug. 3, 2004**

(54) **VIDEO PRESENTER**

5,978,028 A * 11/1999 Yamane 348/373
D436,612 S 1/2001 Geng

(75) Inventors: **Alan Chrisoper Mudd**, West Newton, MA (US); **Michel Arney**, West Newton, MA (US); **James Wilson**, West Newton, MA (US); **Joo Bok Kim**, Gwangju-si (KR); **Hee Myoung Yi**, Gangdong-gu (KR)

* cited by examiner

Primary Examiner—Adir Aronovich
(74) *Attorney, Agent, or Firm*—Gardner Carton & Douglas LLP

(73) Assignee: **Samsung Techwin Co., Ltd.**, Changwon (KR)

(57) **CLAIM**

The ornamental design for a video presenter, as shown and described.

(**) Term: **14 Years**

DESCRIPTION

(21) Appl. No.: **29/193,158**

FIG. 1 is front perspective view of the design for a video presenter;

(22) Filed: **Nov. 4, 2003**

FIG. 2 is a front elevational view of the design of FIG. 1; FIG. 3 is a rear elevational view of the design of FIG. 1; FIG. 4 is a left side elevational view of the design of FIG. 1;

(51) **LOC (7) Cl.** **16-02**

(52) **U.S. Cl.** **D16/235; D16/232**

(58) **Field of Search** D14/423; D16/221, D16/225, 229, 232, 235; 348/373-376; 353/66, 119, 122, DIG. 4

FIG. 5 is a right side elevational view of the design of FIG. 1;

FIG. 6 is a top view of the design of FIG. 1;

FIG. 7 is a bottom view of the design of FIG. 1; and,

FIG. 8 is a front elevational view of the design of FIG. 1, the video presenter shown in a folded position.

The portions of the article in broken lines are shown for illustrative purposes only and form no part of the claimed design.

(56) **References Cited**

U.S. PATENT DOCUMENTS

- D56,679 S * 11/1920 Rey J. D16/235
- D264,581 S * 5/1982 Mobius D14/423
- D302,683 S * 8/1989 Iwasaki et al. D14/423
- 5,214,458 A * 5/1993 Kanai 353/DIG. 4
- D376,586 S * 12/1996 Shinano D14/423

1 Claim, 8 Drawing Sheets

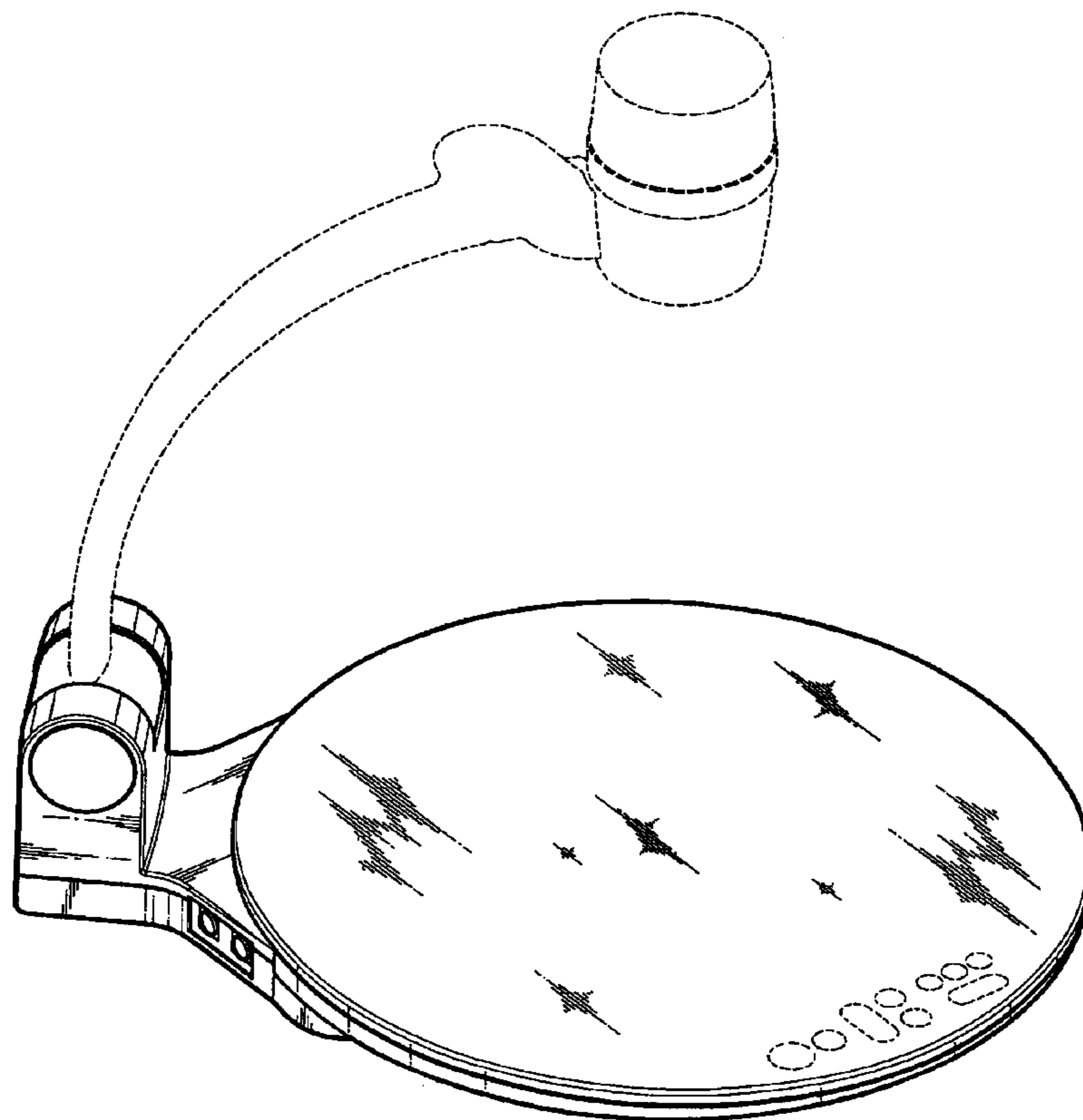


FIG.1

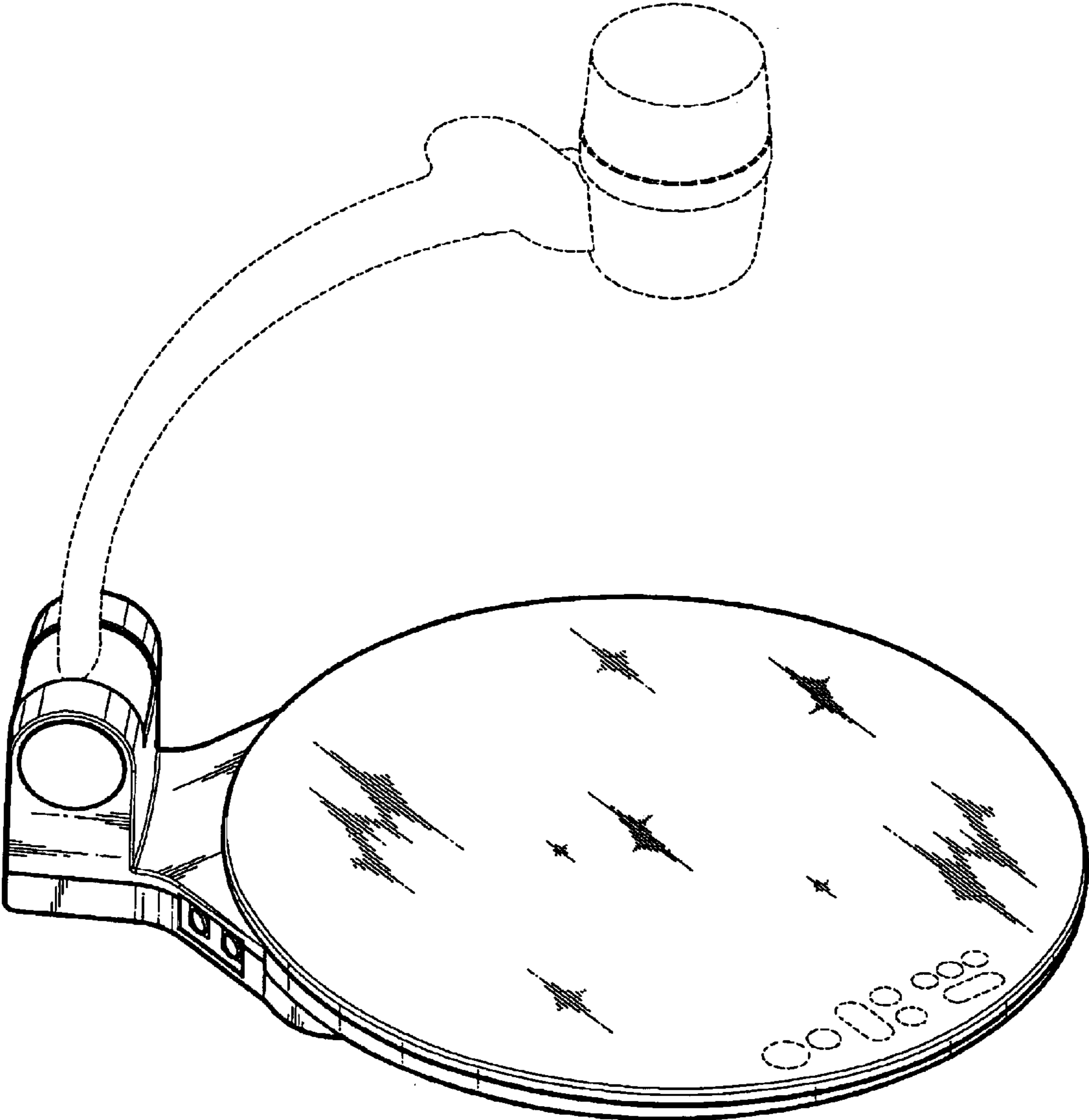


FIG.2

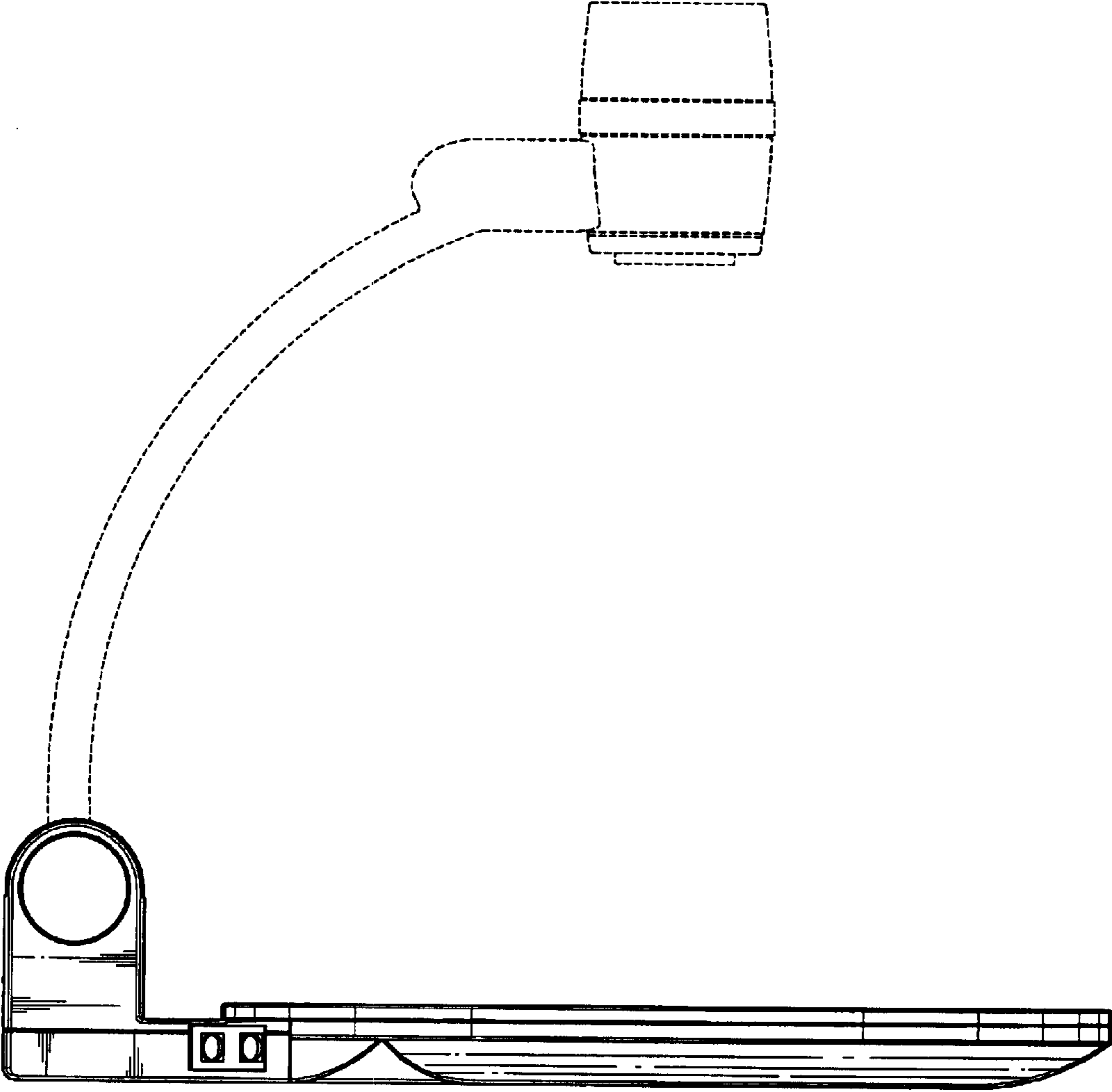


FIG.3

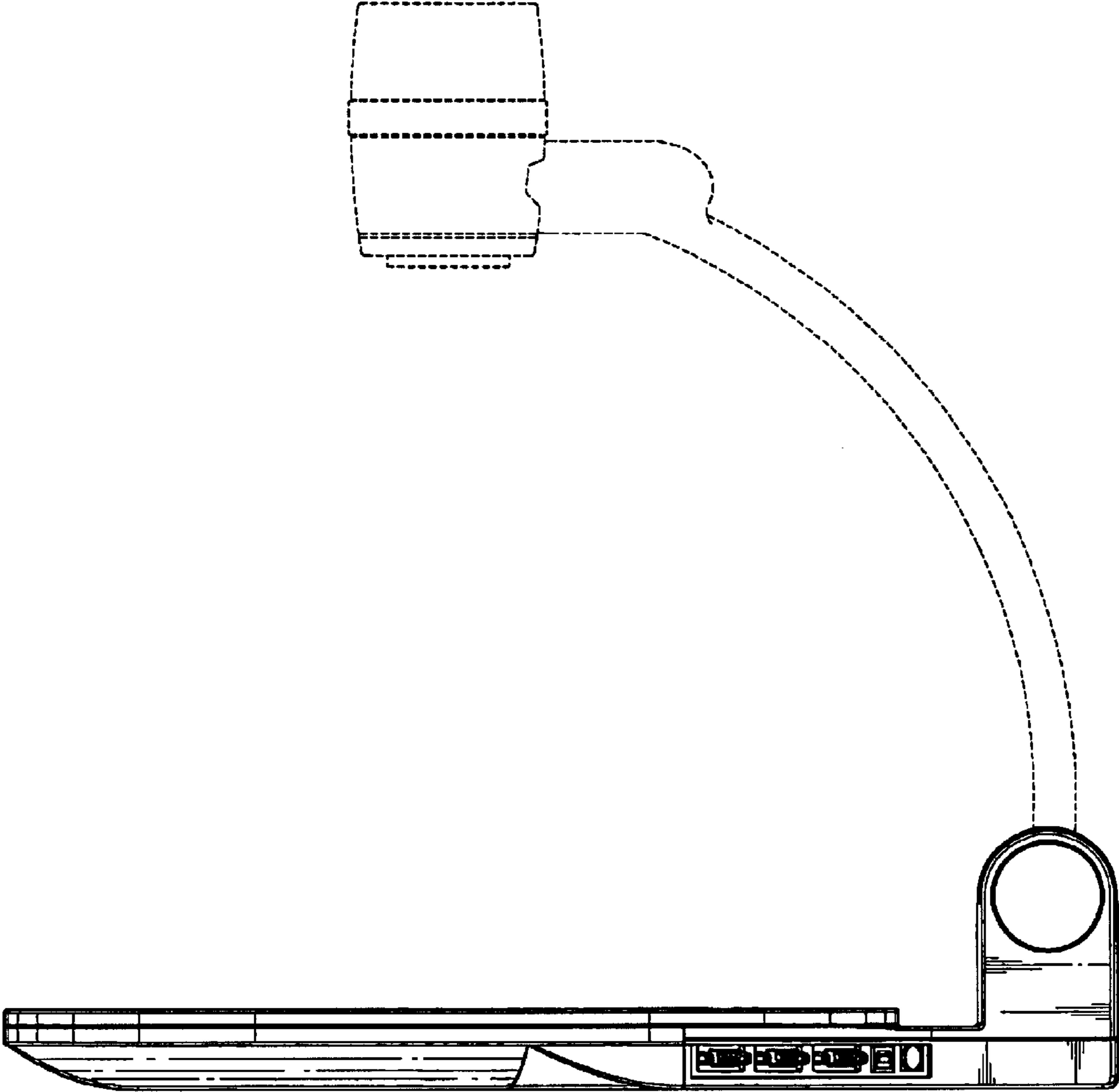


FIG.4

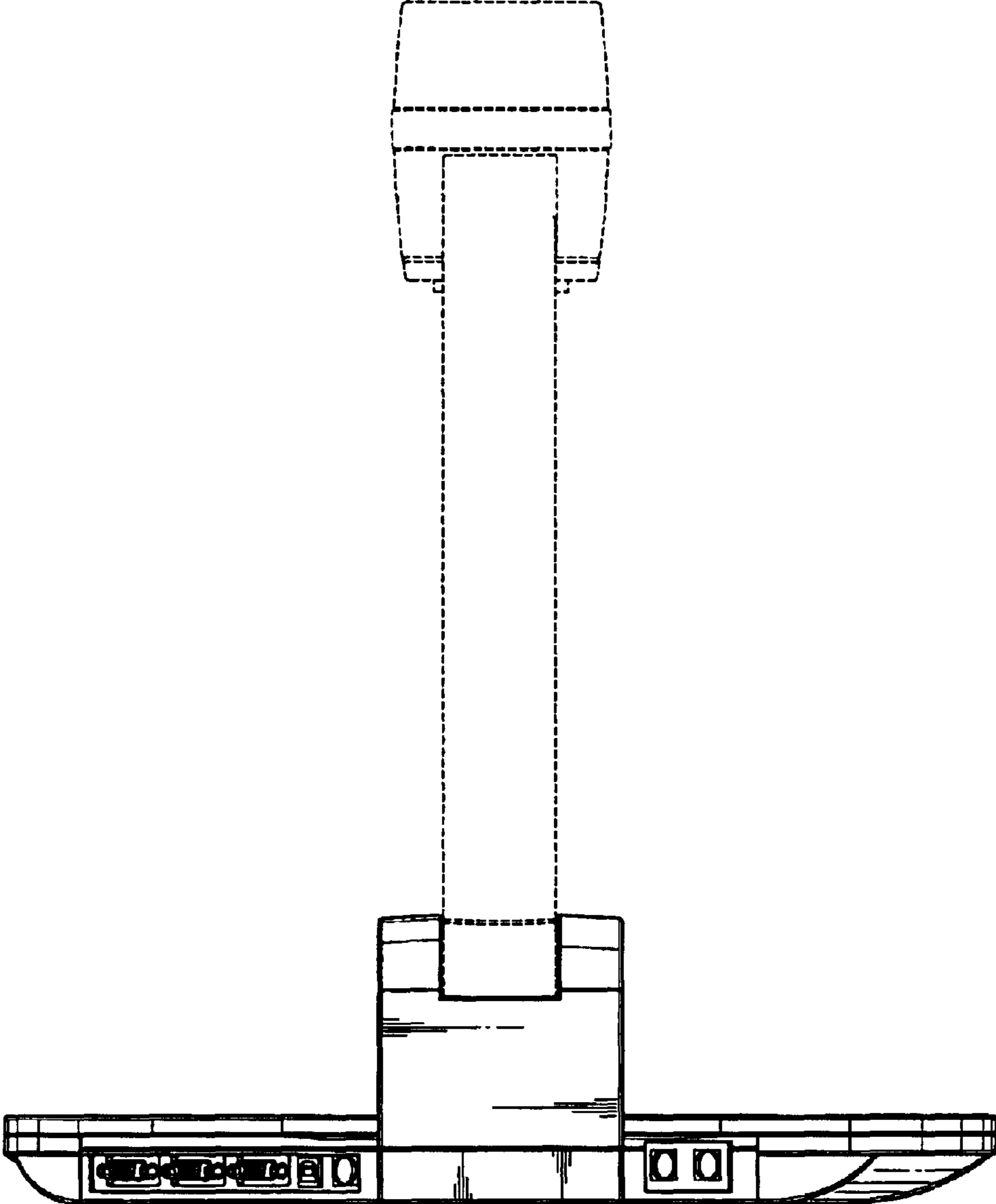


FIG.5

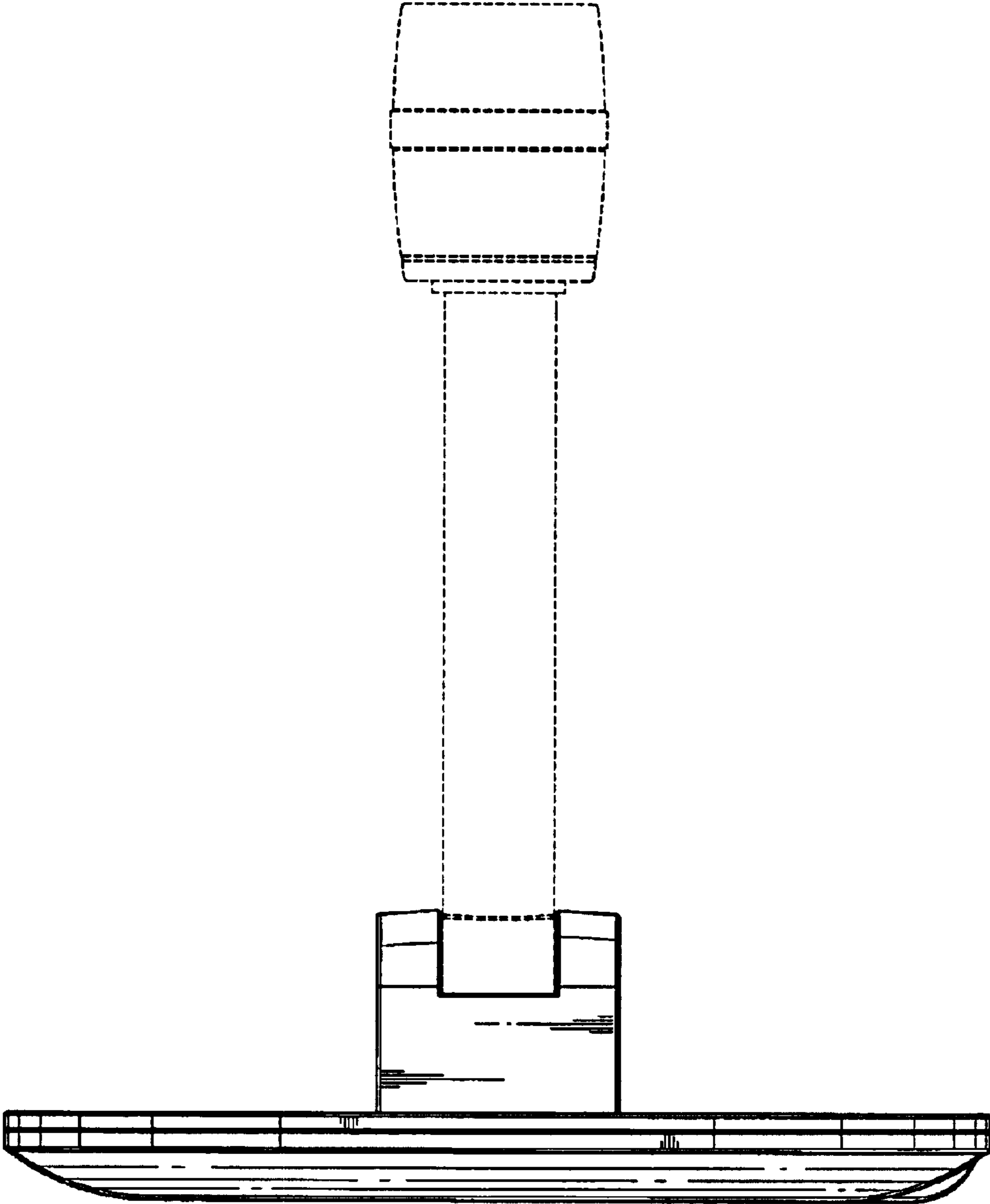


FIG.6

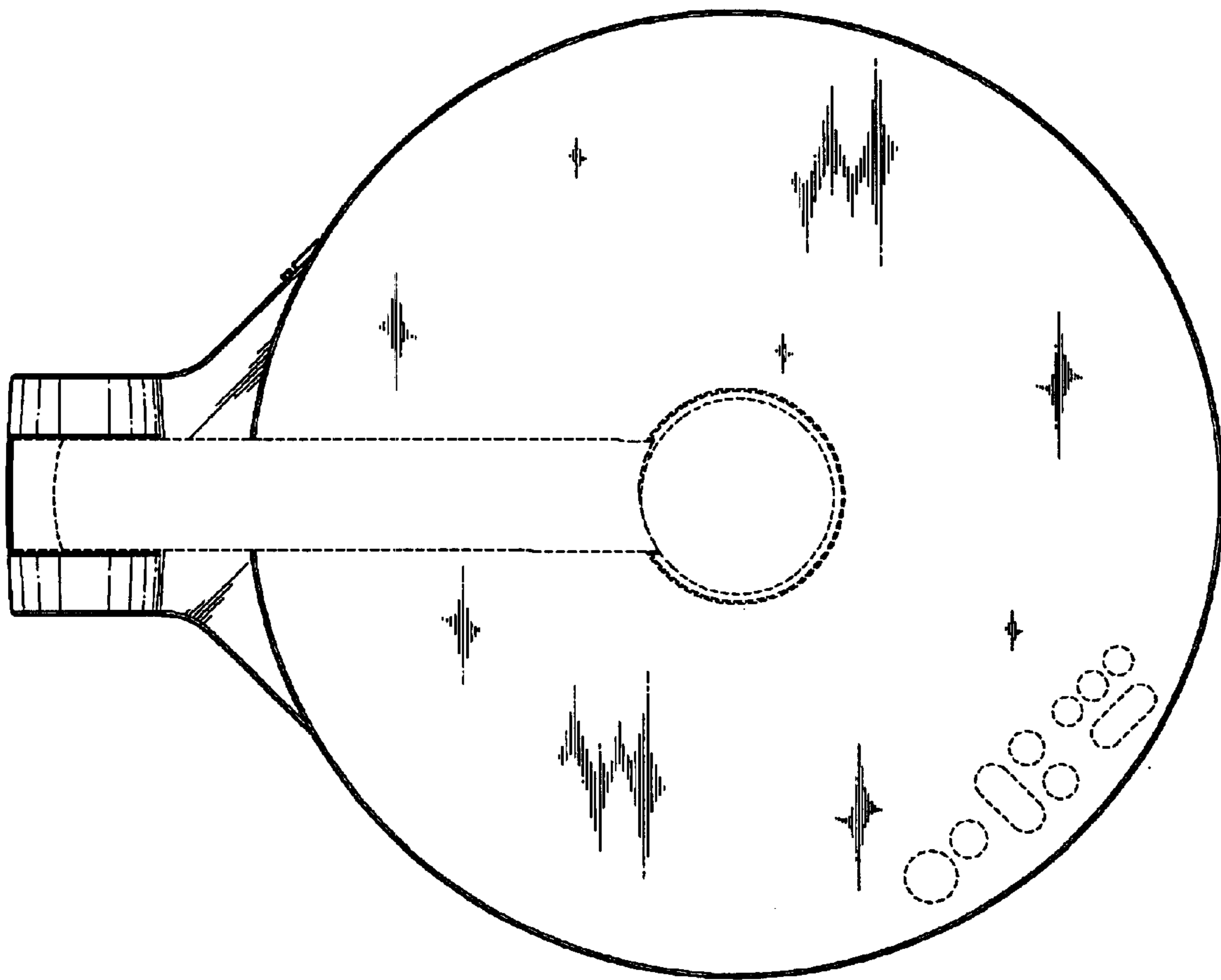


FIG.7

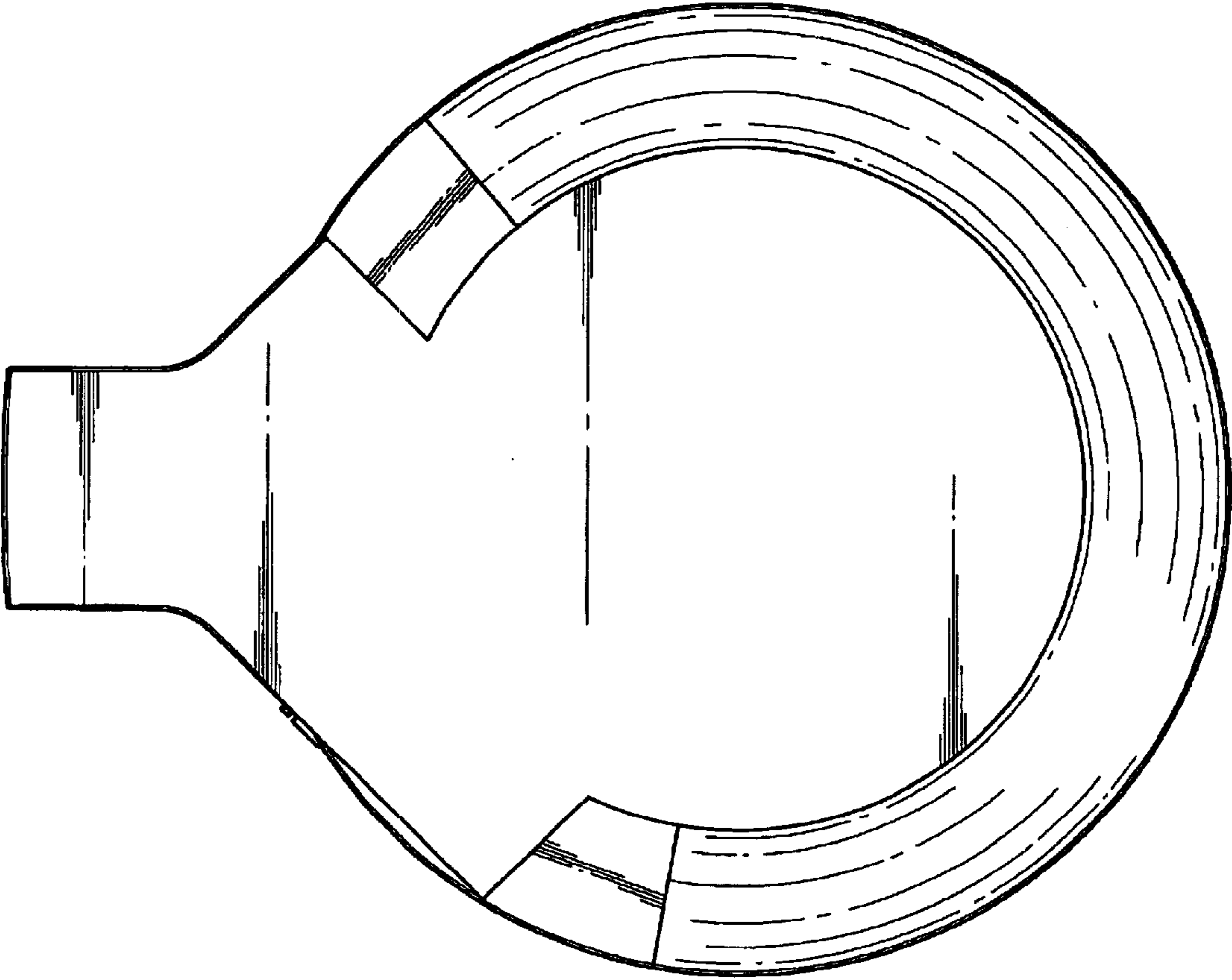


FIG.8

