



US00D493811S1

(12) **United States Design Patent**  
**Laituri**

(10) **Patent No.:** **US D493,811 S**

(45) **Date of Patent:** **\*\* Aug. 3, 2004**

(54) **CAMERA BACK**

D289,055 S \* 3/1987 Fichter ..... D16/219

(75) **Inventor:** **David Laituri**, Wayland, MA (US)

\* cited by examiner

(73) **Assignee:** **Polaroid Corporation**, Waltham, MA (US)

*Primary Examiner*—Adir Aronovich

(\*\*) **Term:** **14 Years**

(57) **CLAIM**

The ornamental design for a camera back, as described and shown.

(21) **Appl. No.:** **29/162,260**

**DESCRIPTION**

(22) **Filed:** **Jun. 12, 2002**

(51) **LOC (7) Cl.** ..... **16-05**

(52) **U.S. Cl.** ..... **D16/219**

(58) **Field of Search** ..... D16/200–205,  
D16/218, 219; 396/30, 33, 38, 39, 535–541

FIG. 1 is a front perspective view of a camera back showing my new design;

FIG. 2 is a top plan view thereof;

FIG. 3 is a bottom plan thereof;

FIG. 4 is a front elevation view thereof;

FIG. 5 is a rear perspective view thereof;

FIG. 6 is a left side elevation view thereof; and,

FIG. 7 is a right side elevation view thereof.

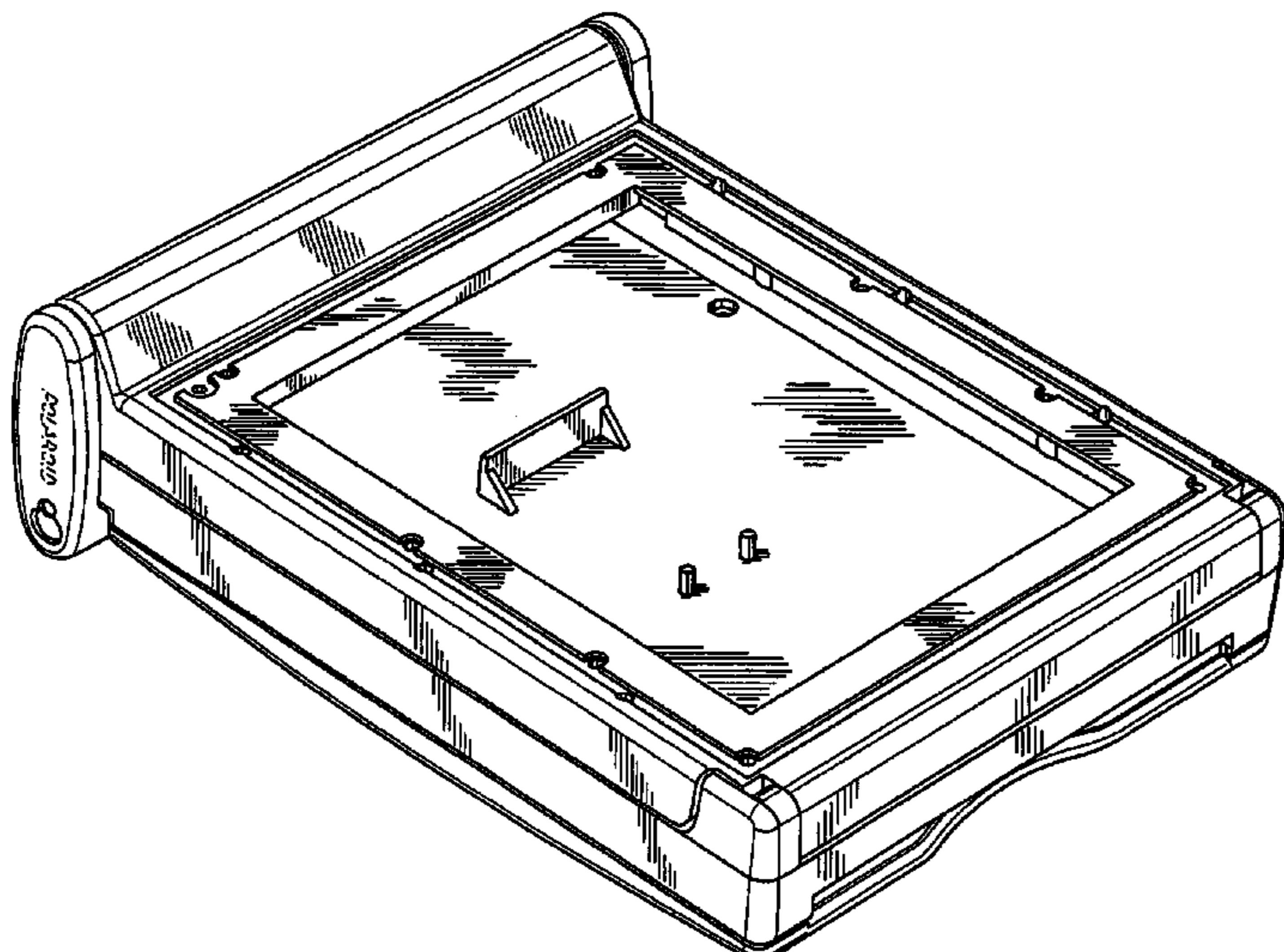
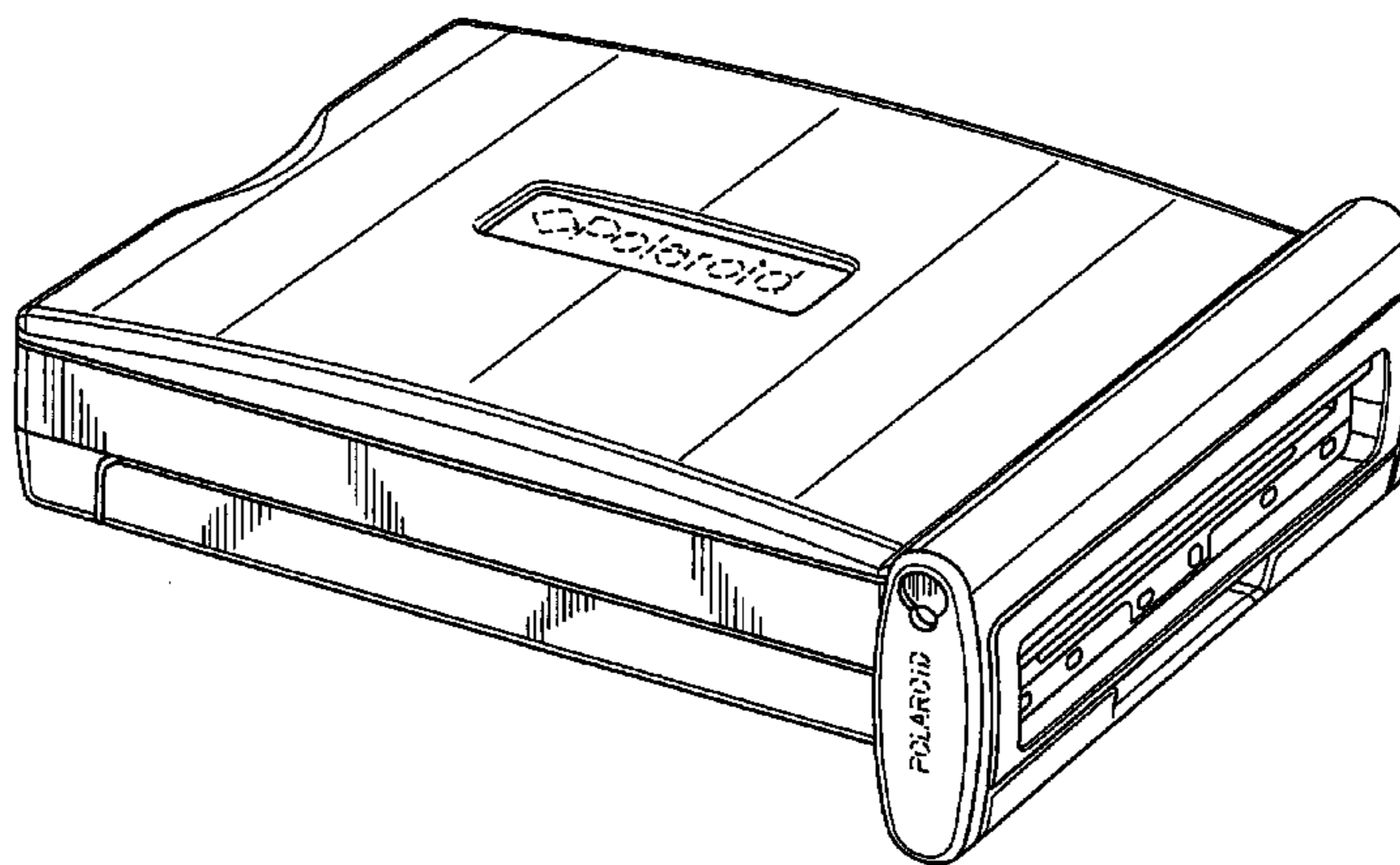
The broken line showing of the word “Polaroid” and its logo is for illustrative purposes only and forms no part of the claimed design.

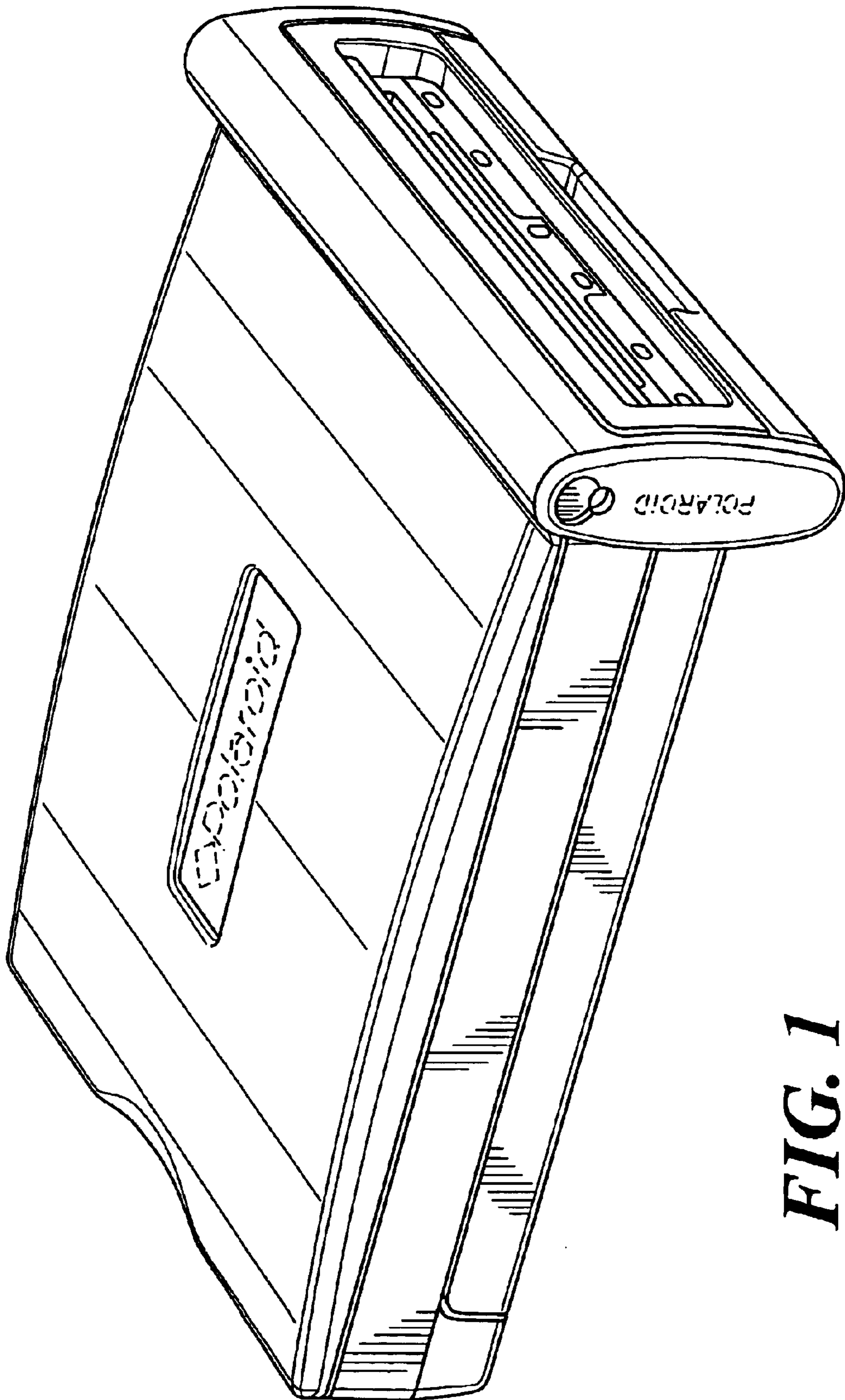
(56) **References Cited**

**U.S. PATENT DOCUMENTS**

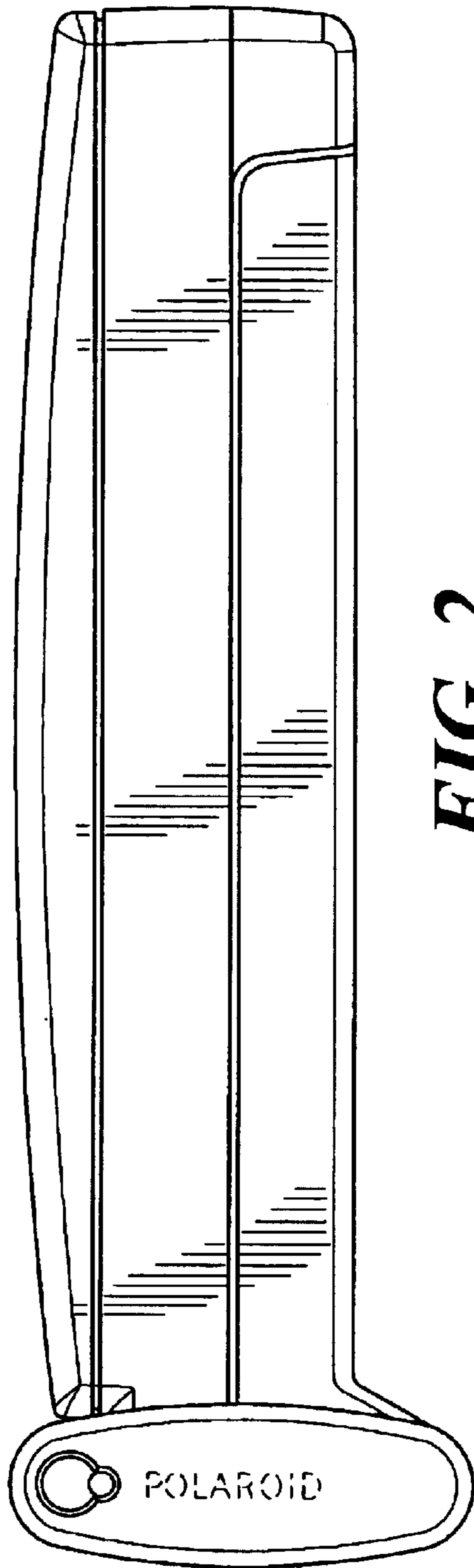
- D244,089 S \* 4/1977 Augustin, Jr. et al. .... D16/219
- D244,526 S \* 5/1977 Augustin, Jr. et al. .... D16/219
- 4,226,519 A \* 10/1980 Gervais et al. .... 396/366
- 4,299,471 A \* 11/1981 Alex et al. .... 396/33
- D287,502 S \* 12/1986 Fichter ..... D16/219

**1 Claim, 5 Drawing Sheets**

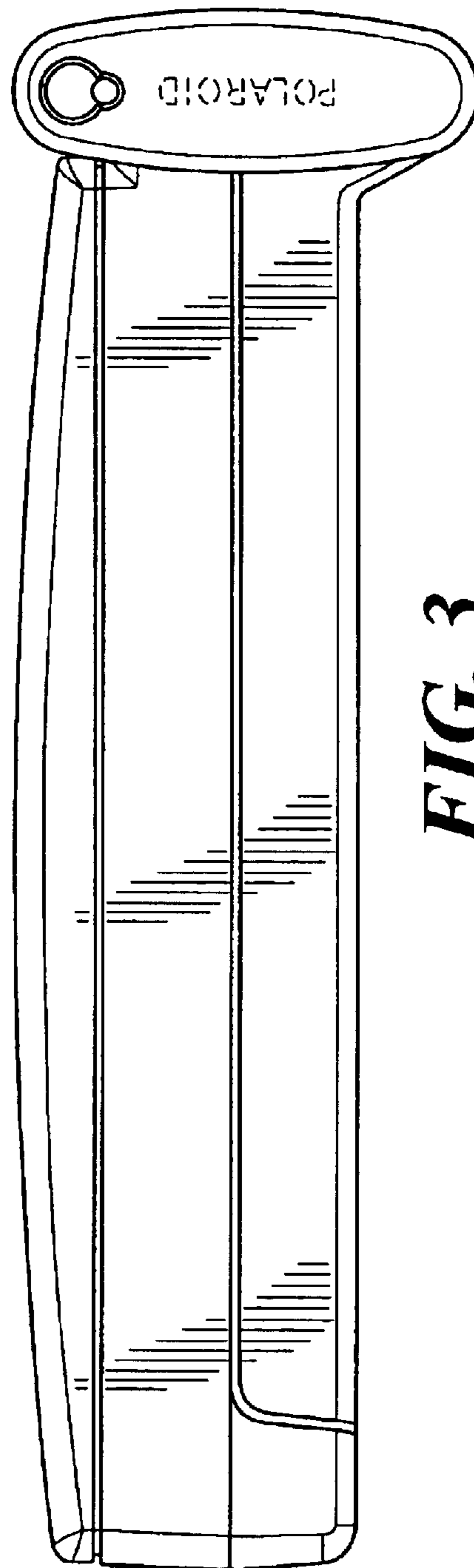




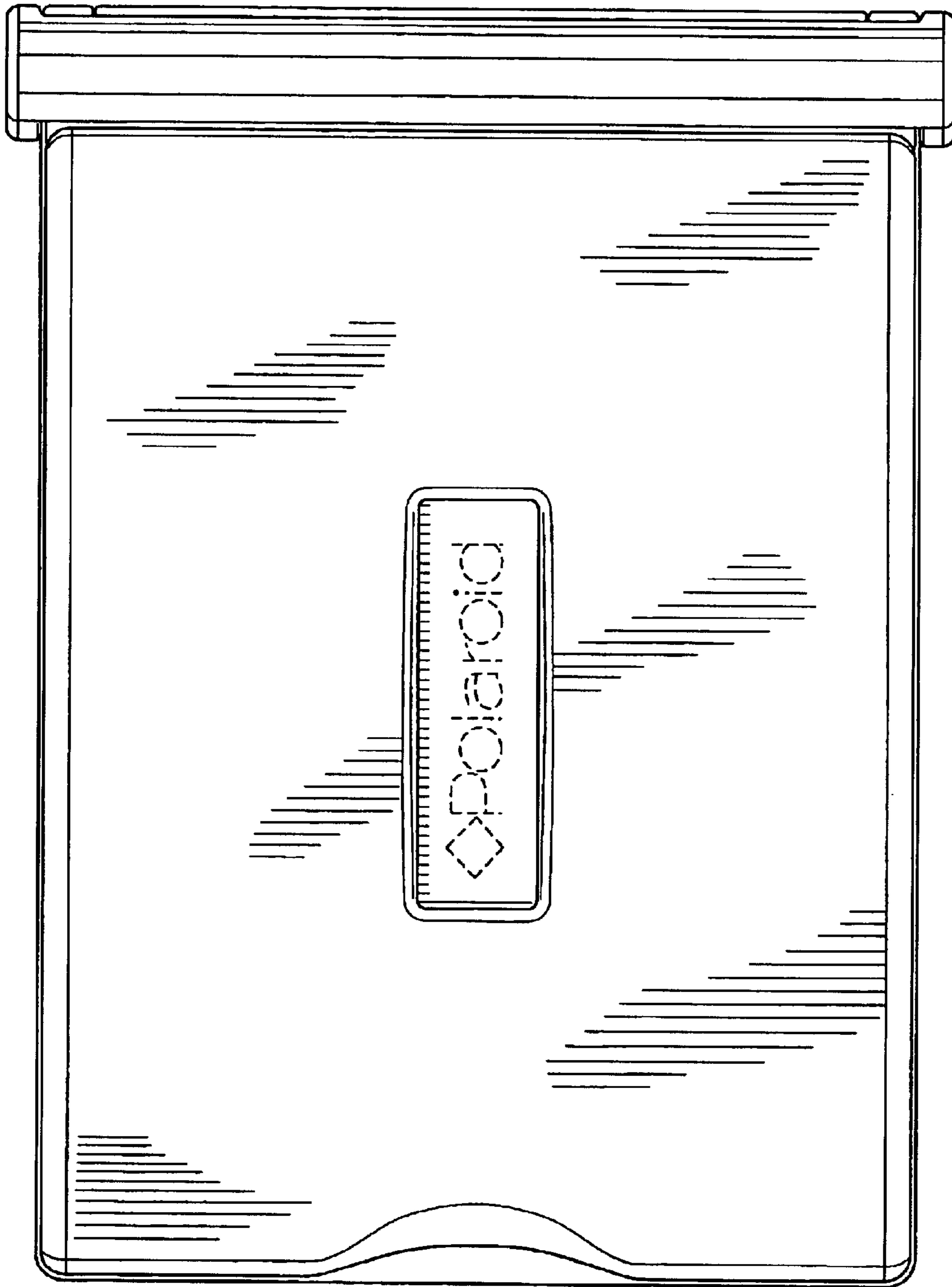
**FIG. 1**



**FIG. 2**

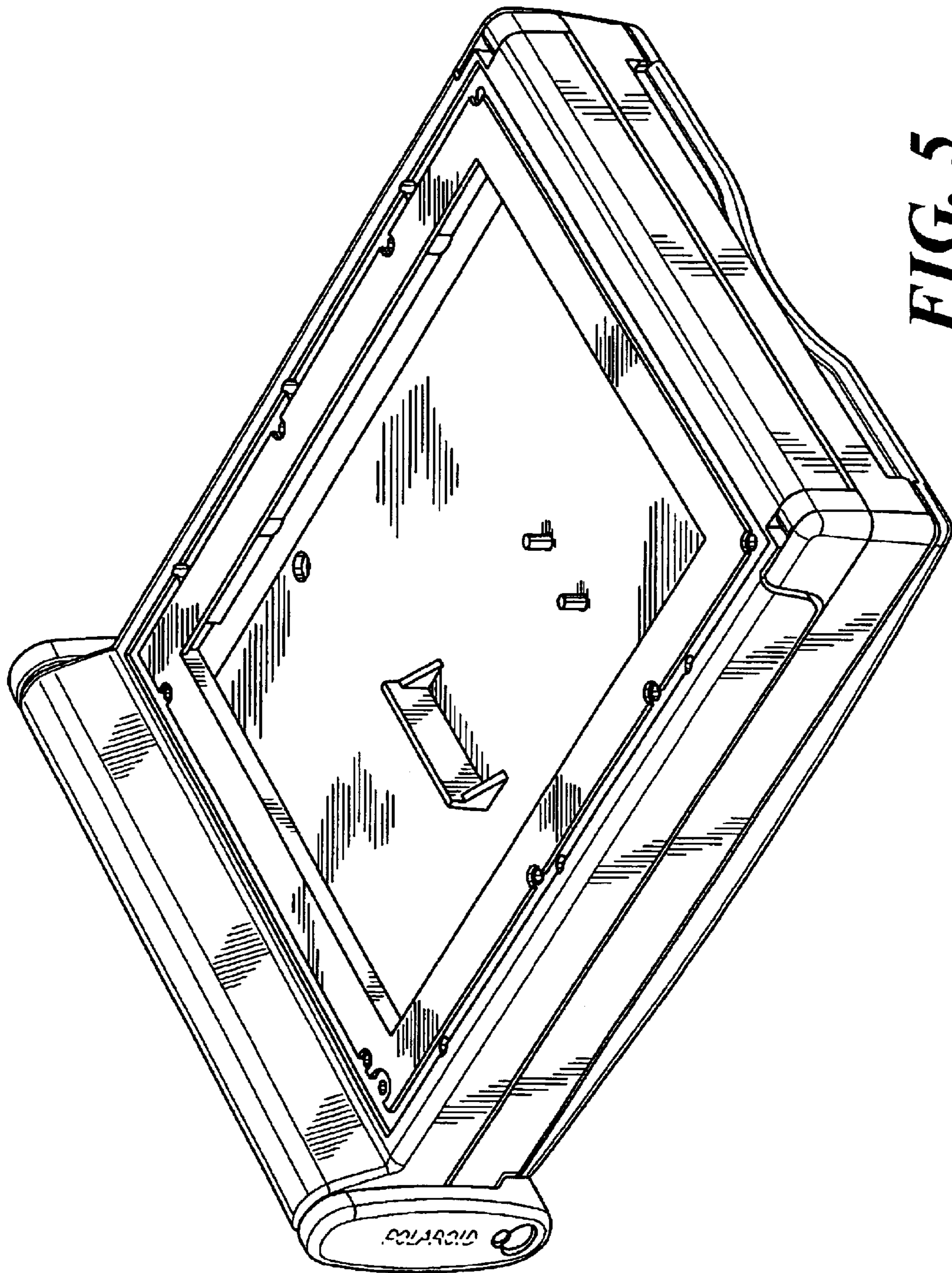


**FIG. 3**

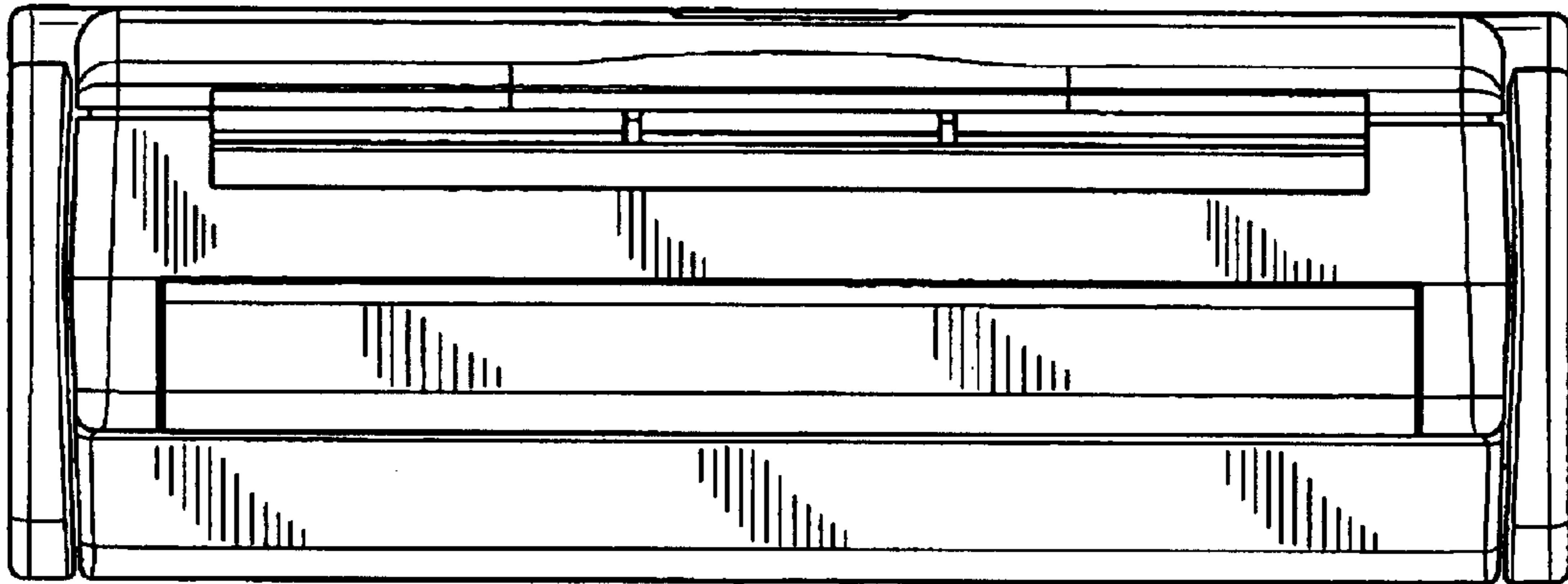


**FIG. 4**

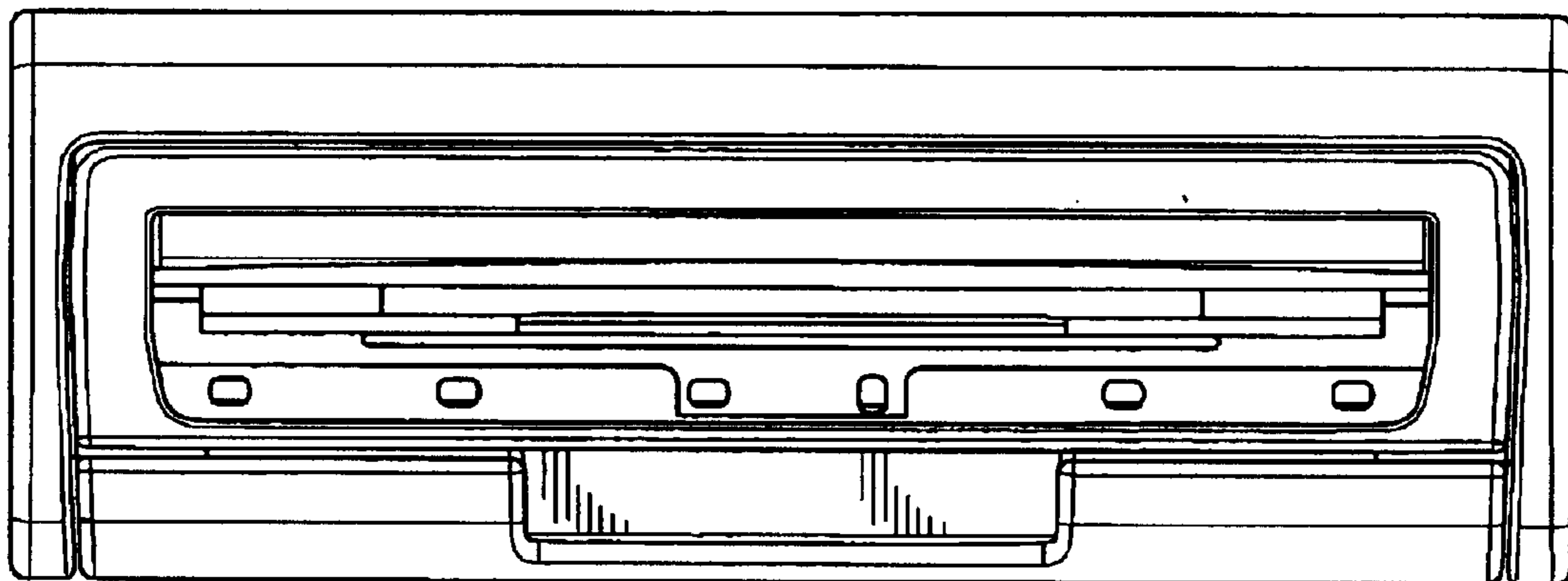




**FIG. 5**



**FIG. 6**



**FIG. 7**