

US00D493809S1

(12) **United States Design Patent**
Ogura

(10) **Patent No.:** **US D493,809 S**

(45) **Date of Patent:** **** Aug. 3, 2004**

(54) **ELECTRONIC CAMERA**

(75) **Inventor:** **Ryosuke Ogura, Tokyo (JP)**

(73) **Assignee:** **Fuji Photo Film Co., Ltd., Kanagawa (JP)**

(**) **Term:** **14 Years**

(21) **Appl. No.:** **29/193,738**

(22) **Filed:** **Nov. 14, 2003**

(30) **Foreign Application Priority Data**

May 23, 2003 (JP) 2003-014283

(51) **LOC (7) Cl.** **16-01**

(52) **U.S. Cl.** **D16/202; D16/206**

(58) **Field of Search** **D16/200-206, D16/208, 217, 218; 348/373-376; 358/906, 909.1; 396/535-541**

(56) **References Cited**

U.S. PATENT DOCUMENTS

D408,040 S * 4/1999 Miyahara D16/202

D425,095 S * 5/2000 Watarai et al. D16/206

D444,163 S * 6/2001 Yoshida D16/202

D447,500 S * 9/2001 Funato D16/202

D456,035 S * 4/2002 Yamazaki et al. D16/202

6,393,225 B1 * 5/2002 Yamada 396/535

D474,793 S * 5/2003 Yoshida D16/202

D481,052 S * 10/2003 Ogura D16/202

* cited by examiner

Primary Examiner—Adir Aronovich

(74) *Attorney, Agent, or Firm*—Young & Thompson

(57) **CLAIM**

The ornamental design for an electronic camera, as shown and described.

DESCRIPTION

FIG. 1 is a top, front and side perspective view of an electronic camera showing my new design; FIG. 2 is a front elevational view thereof; FIG. 3 is a rear elevational view thereof; FIG. 4 is a top plan view thereof; FIG. 5 is a bottom plan view thereof; FIG. 6 is a side elevational view thereof from the left of FIG. 2; FIG. 7 is a side elevational view thereof from the right of FIG. 2; and, FIG. 8 is a view similar to FIG. 7, but with the parts in a different position.

1 Claim, 4 Drawing Sheets

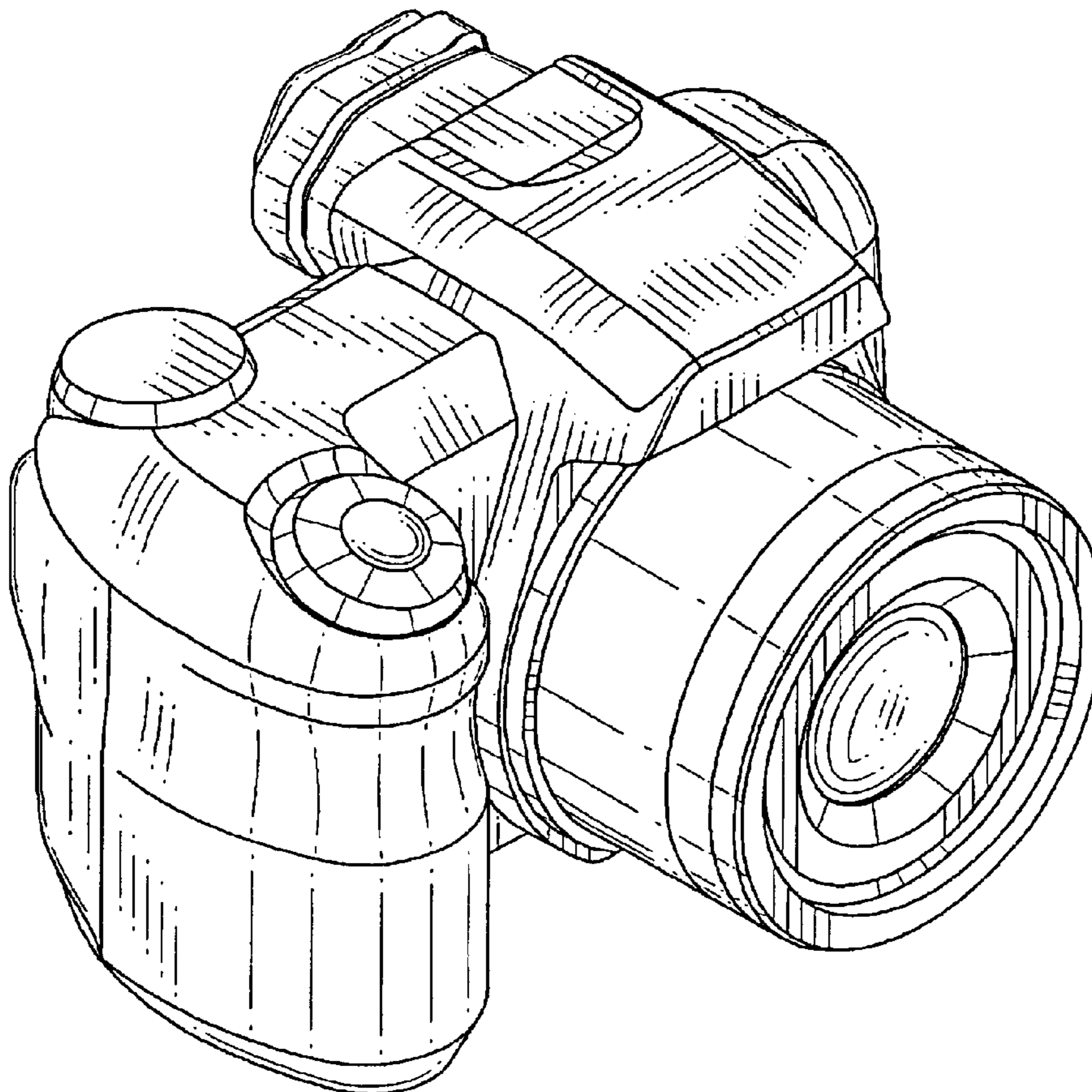


FIG.1

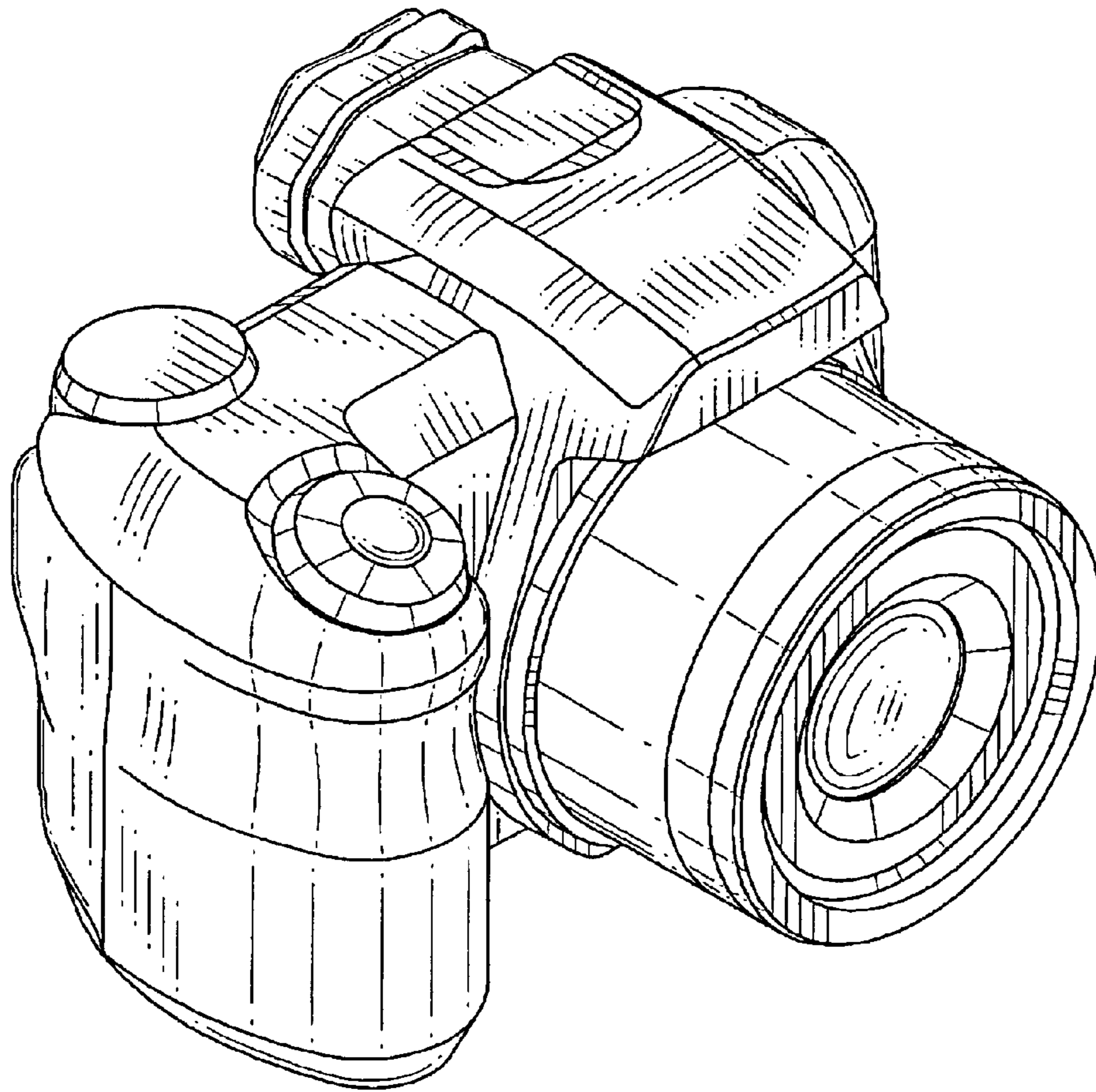


FIG.2

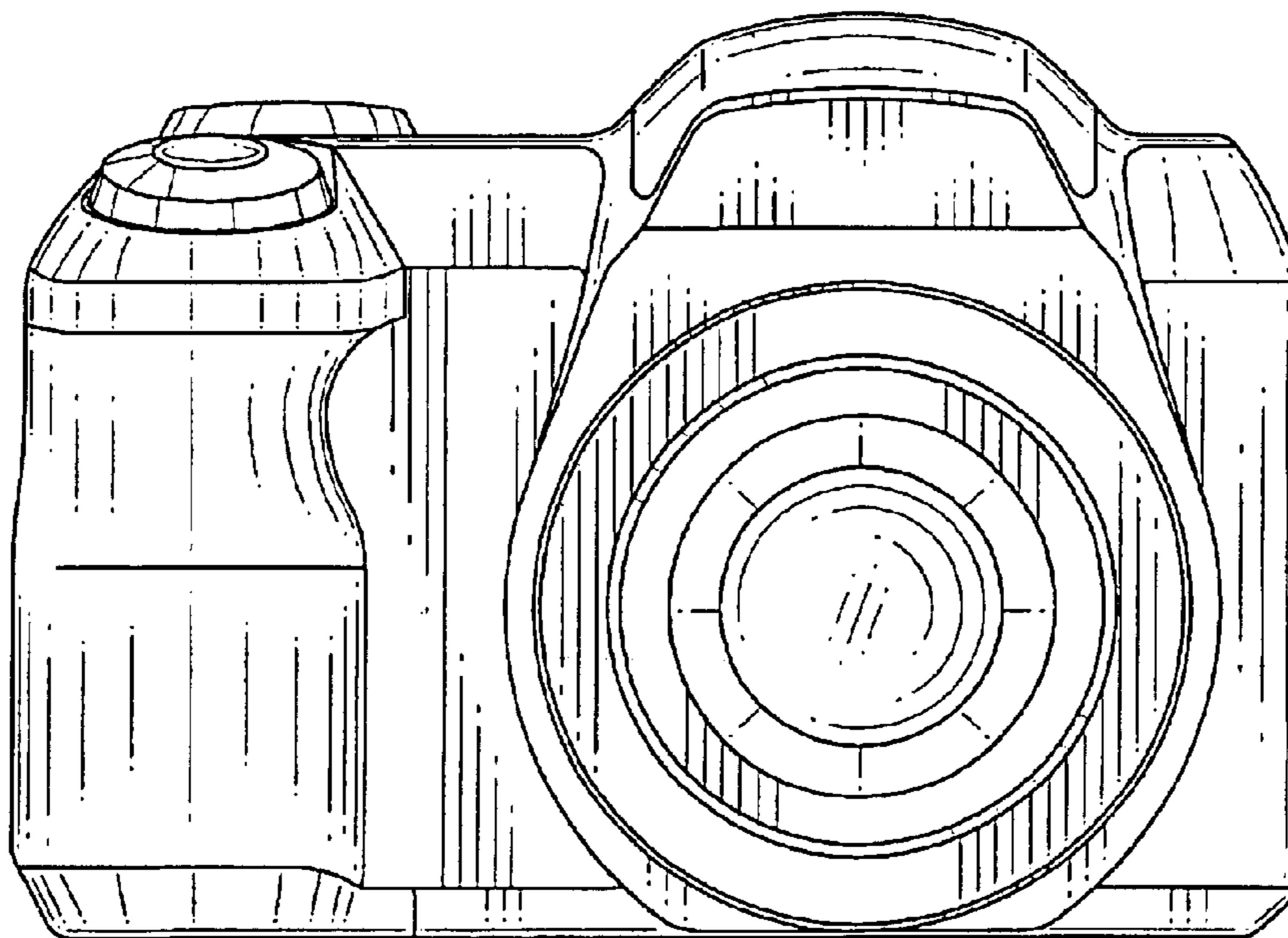


FIG.3

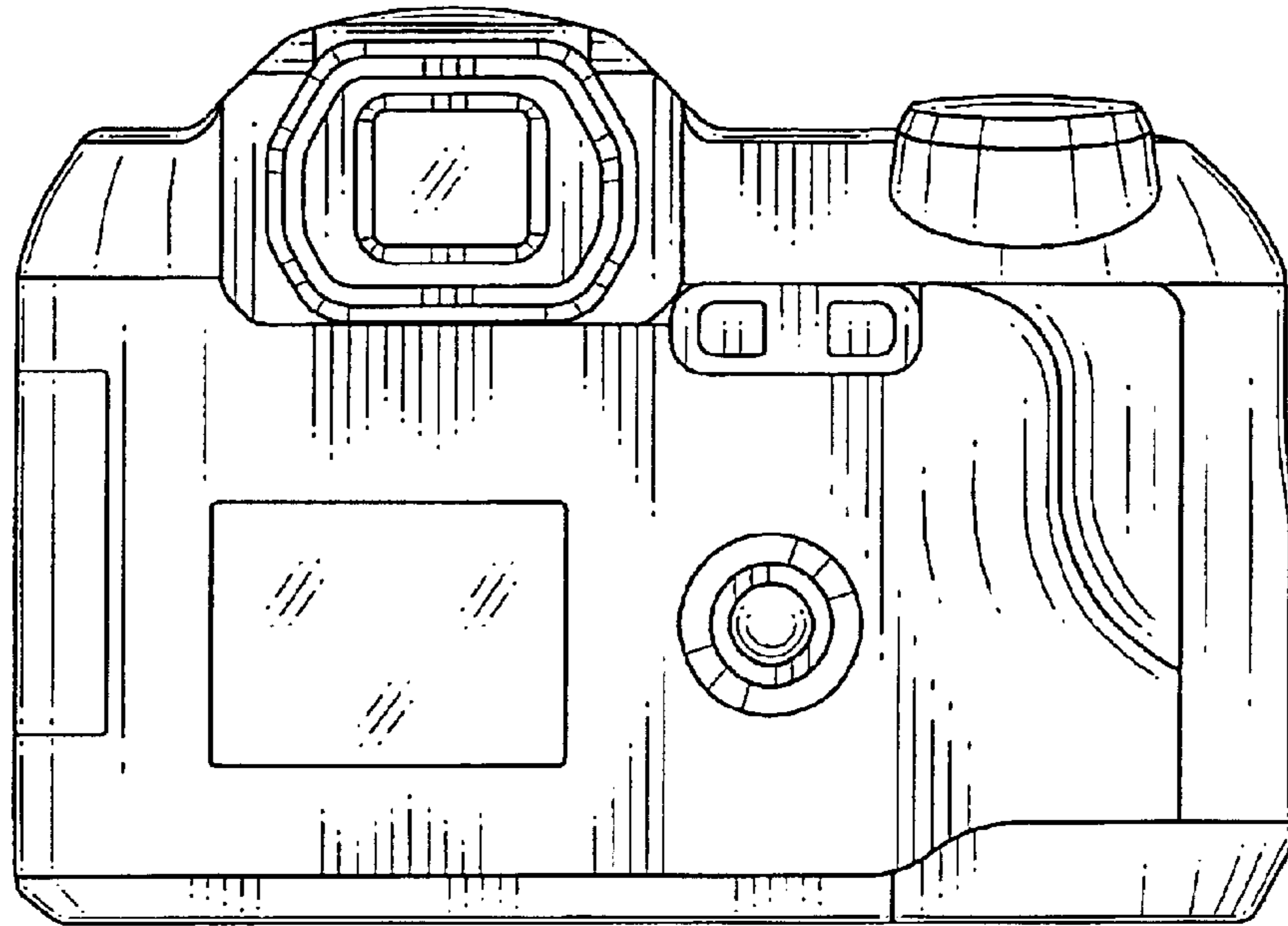


FIG.4

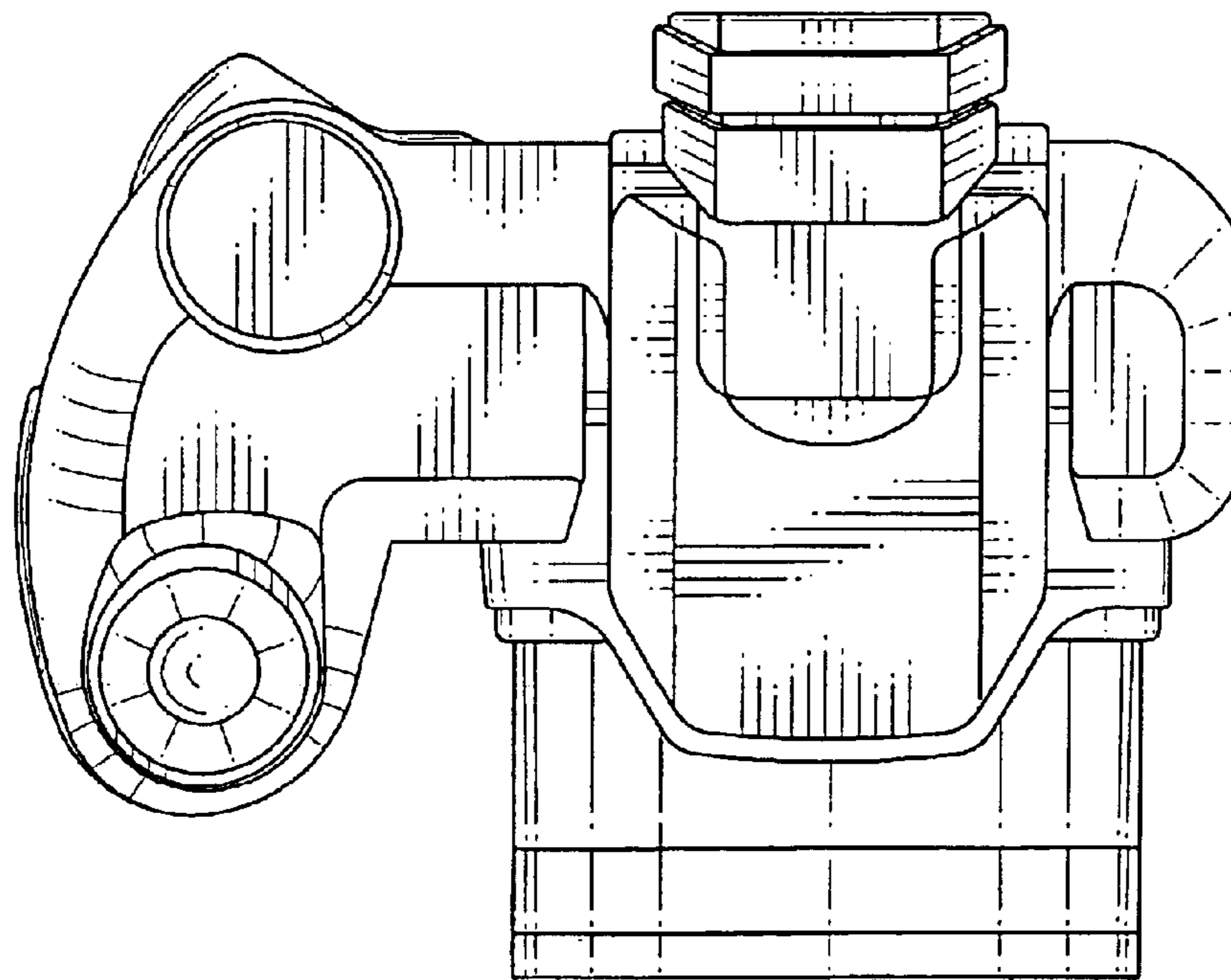


FIG.5

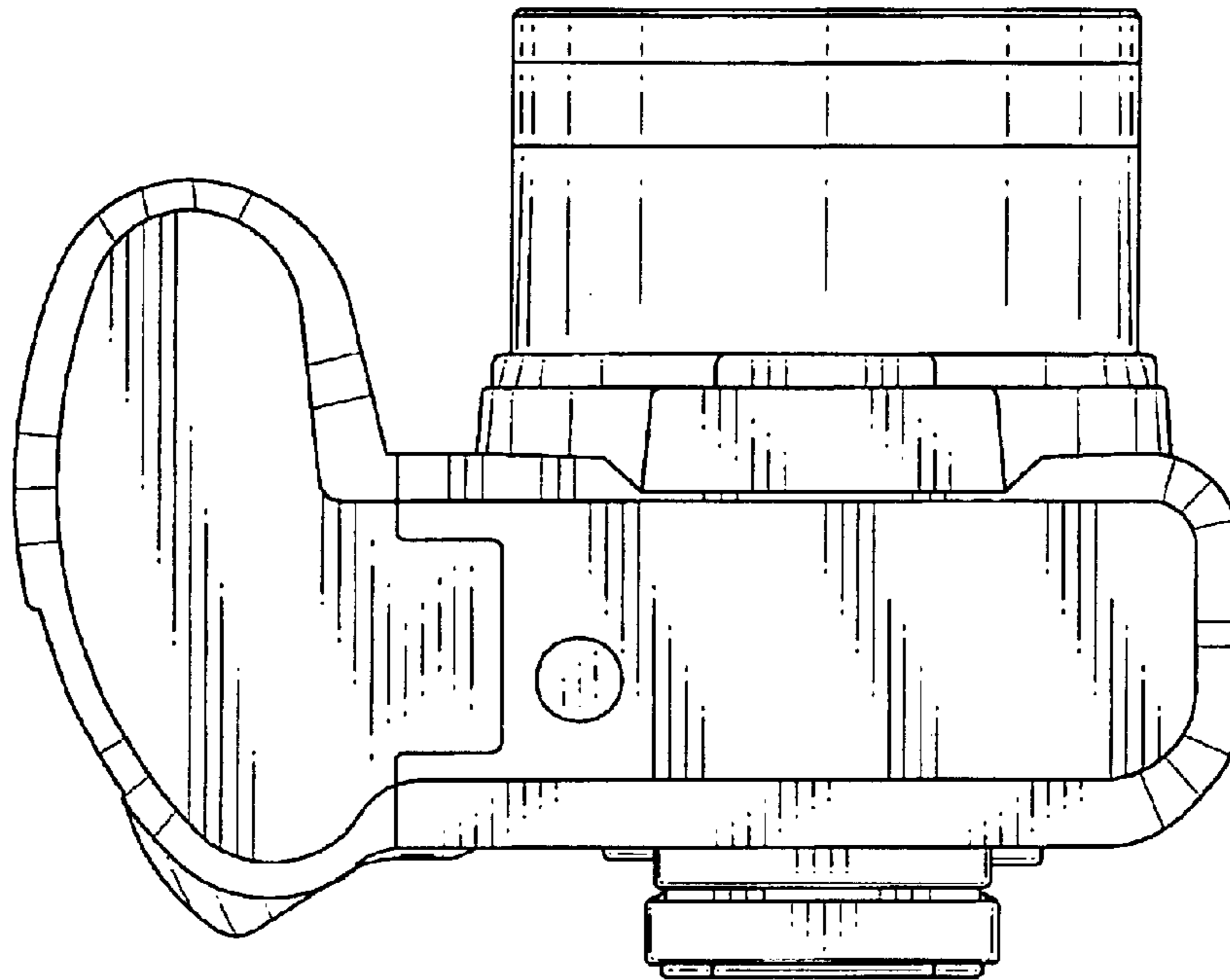


FIG.6

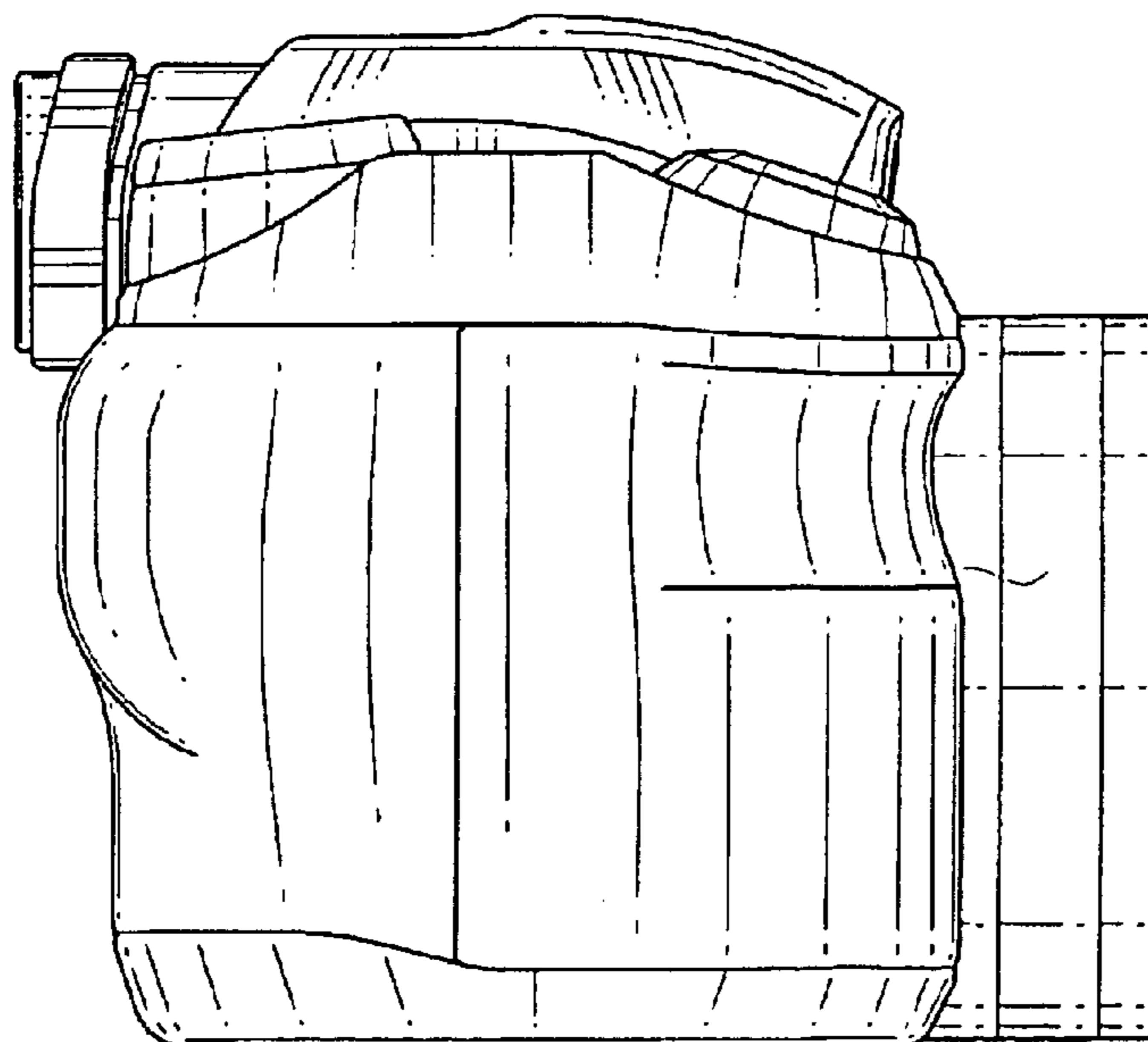


FIG. 7

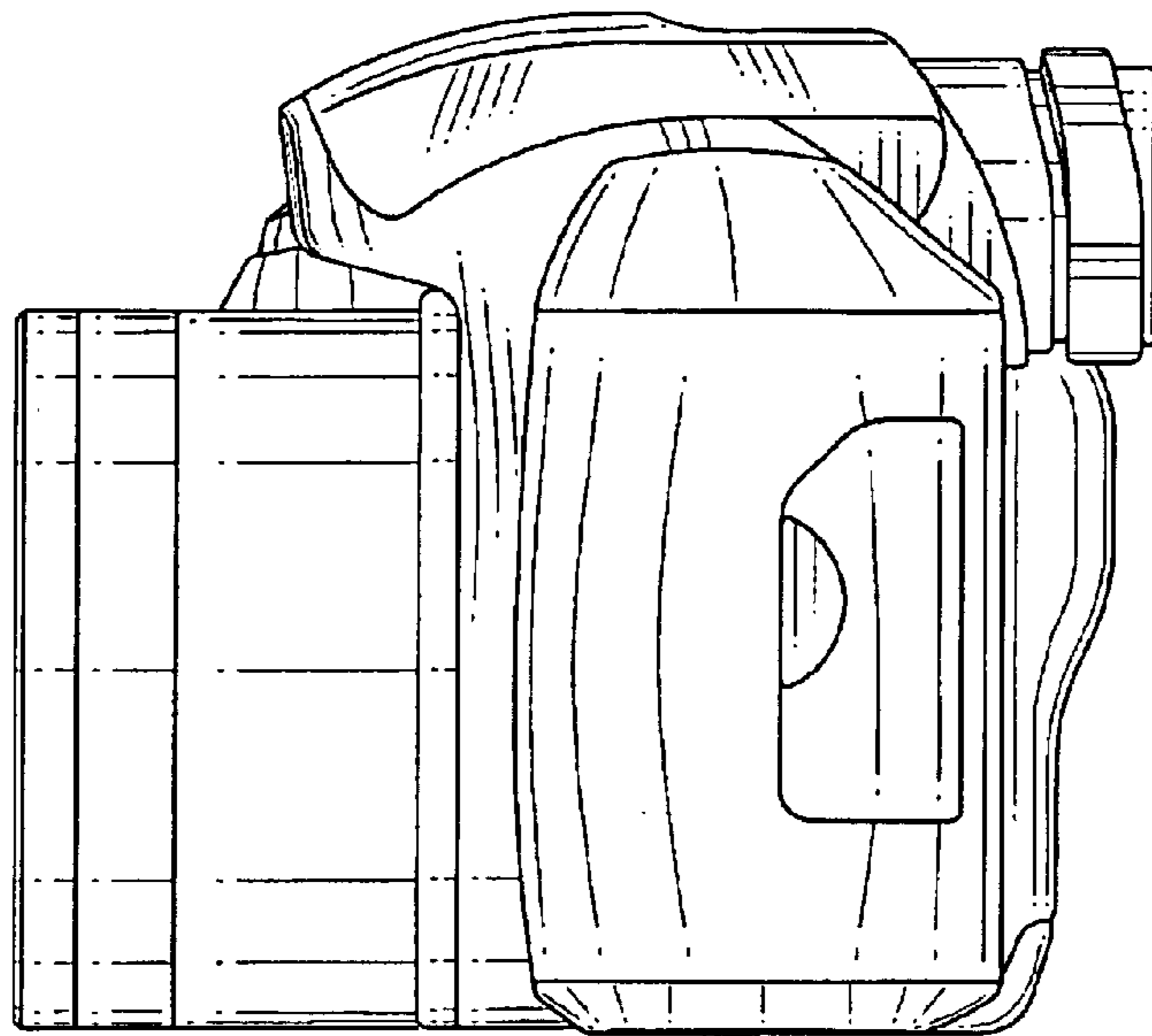


FIG. 8

