



US00D493808S1

(12) **United States Design Patent**
Tanaka et al.

(10) **Patent No.:** **US D493,808 S**
(45) **Date of Patent:** **** Aug. 3, 2004**

(54) **ELECTRIC COMPONENT PLACEMENT MACHINE**

6,594,887 B1 * 7/2003 Okuda et al. 29/739
6,658,313 B1 * 12/2003 Lee 29/832

(75) Inventors: **Yosuhiko Tanaka**, Fukuoka (JP);
Naoyuki Kitamura, Yamanashi (JP);
Nobuhiro Nakai, Takatsuki (JP);
Hiroshi Haji, Chikushino (JP); **Maiko Matsuo**, Dazzifu (JP)

FOREIGN PATENT DOCUMENTS

JP D1019314 8/1998
JP D1036769 4/1999
JP D1038226 5/1999

* cited by examiner

(73) Assignee: **Matsushita Electric Industrial Co., Ltd.**, Osaka (JP)

Primary Examiner—Antoine D. Davis
(74) *Attorney, Agent, or Firm*—Brinks Hofer Gilson & Lione

(**) Term: **14 Years**

(21) Appl. No.: **29/187,539**

(57) **CLAIM**

(22) Filed: **Jul. 31, 2003**

The ornamental design for an electric component placement machine, as shown and described.

(30) **Foreign Application Priority Data**

DESCRIPTION

Mar. 13, 2003 (JP) 2003-006583

(51) **LOC (7) Cl.** **15-99**

(52) **U.S. Cl.** **D15/199; D15/122**

(58) **Field of Search** D15/122, 199;
438/106; 29/833, 759, 836, 739-741, 832,
721

FIG. 1 is a top perspective view of an electric component placement machine of the present invention;
FIG. 2 is a front view thereof;
FIG. 3 is a rear view thereof;
FIG. 4 is a first side view thereof;
FIG. 5 is a second side view thereof;
FIG. 6 is a top view thereof;
FIG. 7 is a bottom view thereof; and,
FIG. 8 is a top perspective view of a second embodiment of an electronic component placement machine of the present invention.

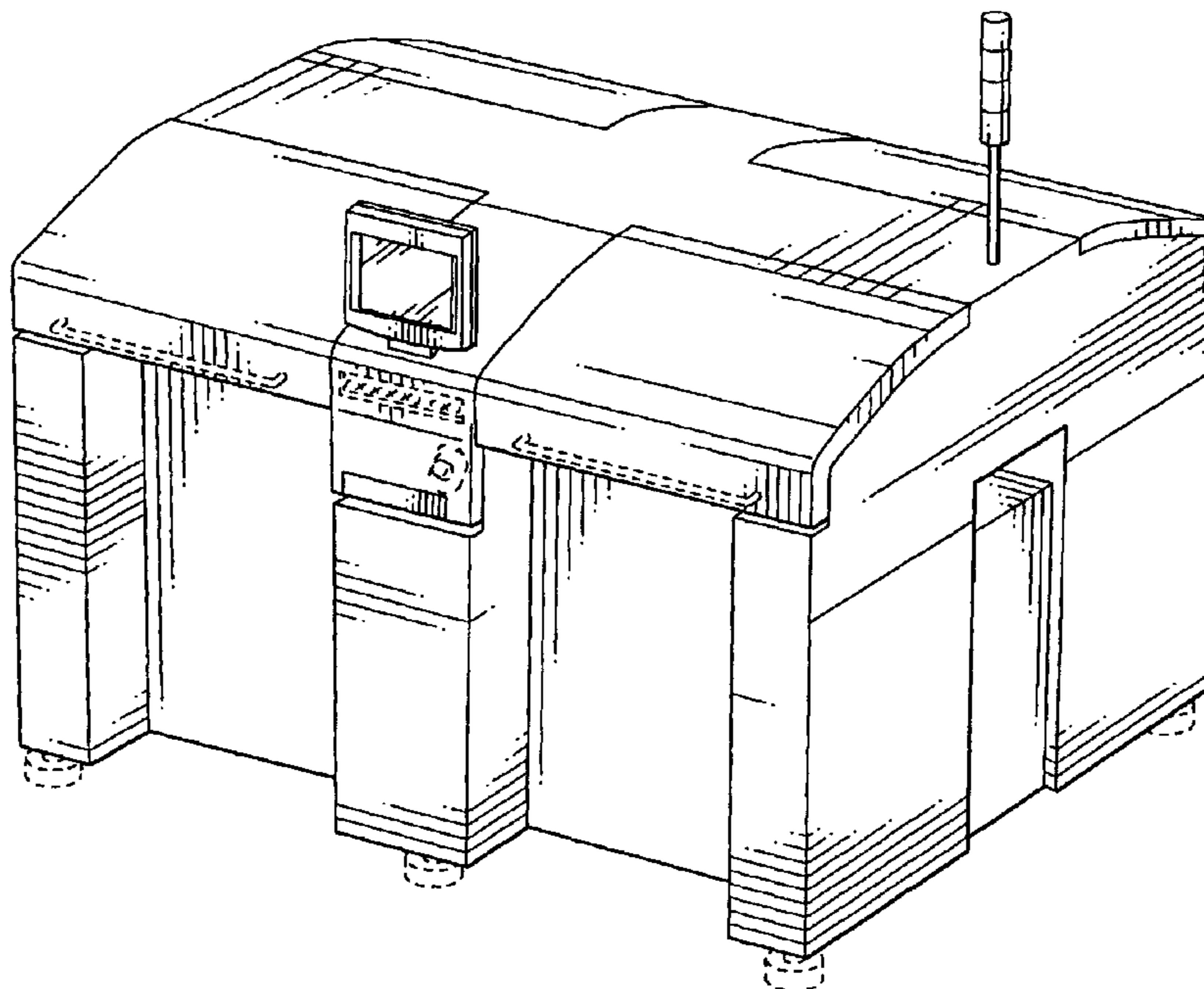
(56) **References Cited**

U.S. PATENT DOCUMENTS

6,085,408 A * 7/2000 Watanabe 29/720
6,178,626 B1 * 1/2001 Hada et al. 29/833
6,240,628 B1 * 6/2001 Yoshida et al. 29/740
6,256,876 B1 * 7/2001 Ohe et al. 29/832
6,266,869 B1 * 7/2001 Tracy et al. 29/740
6,490,781 B2 * 12/2002 Kanai et al. 29/708
6,591,493 B1 * 7/2003 Yoshida et al. 29/832

The ornamental design which is claimed is shown in solid lines in the drawings. Any broken lines in the drawings are for illustrative purposes only and form no part of the claimed design.

1 Claim, 8 Drawing Sheets



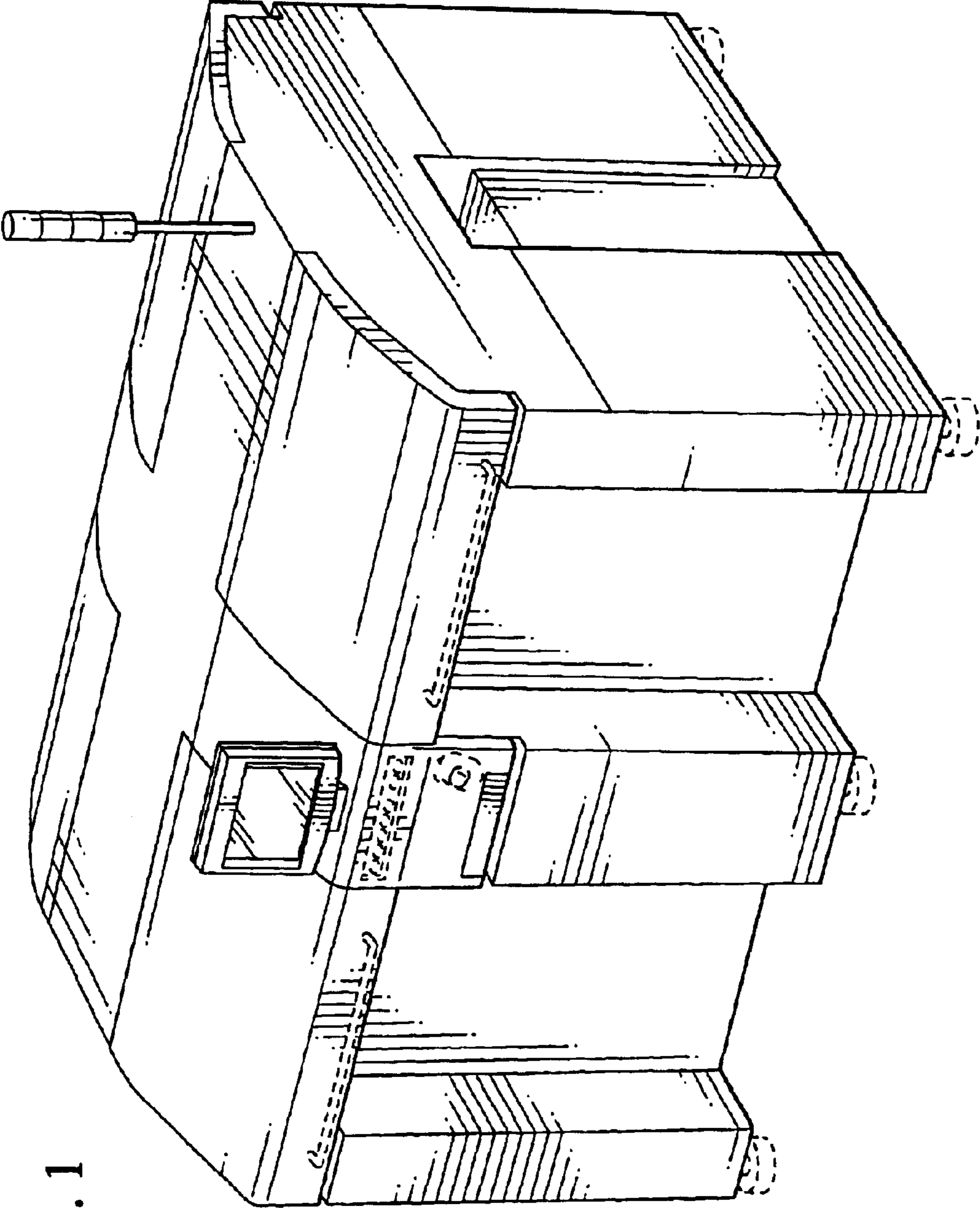


FIG. 1

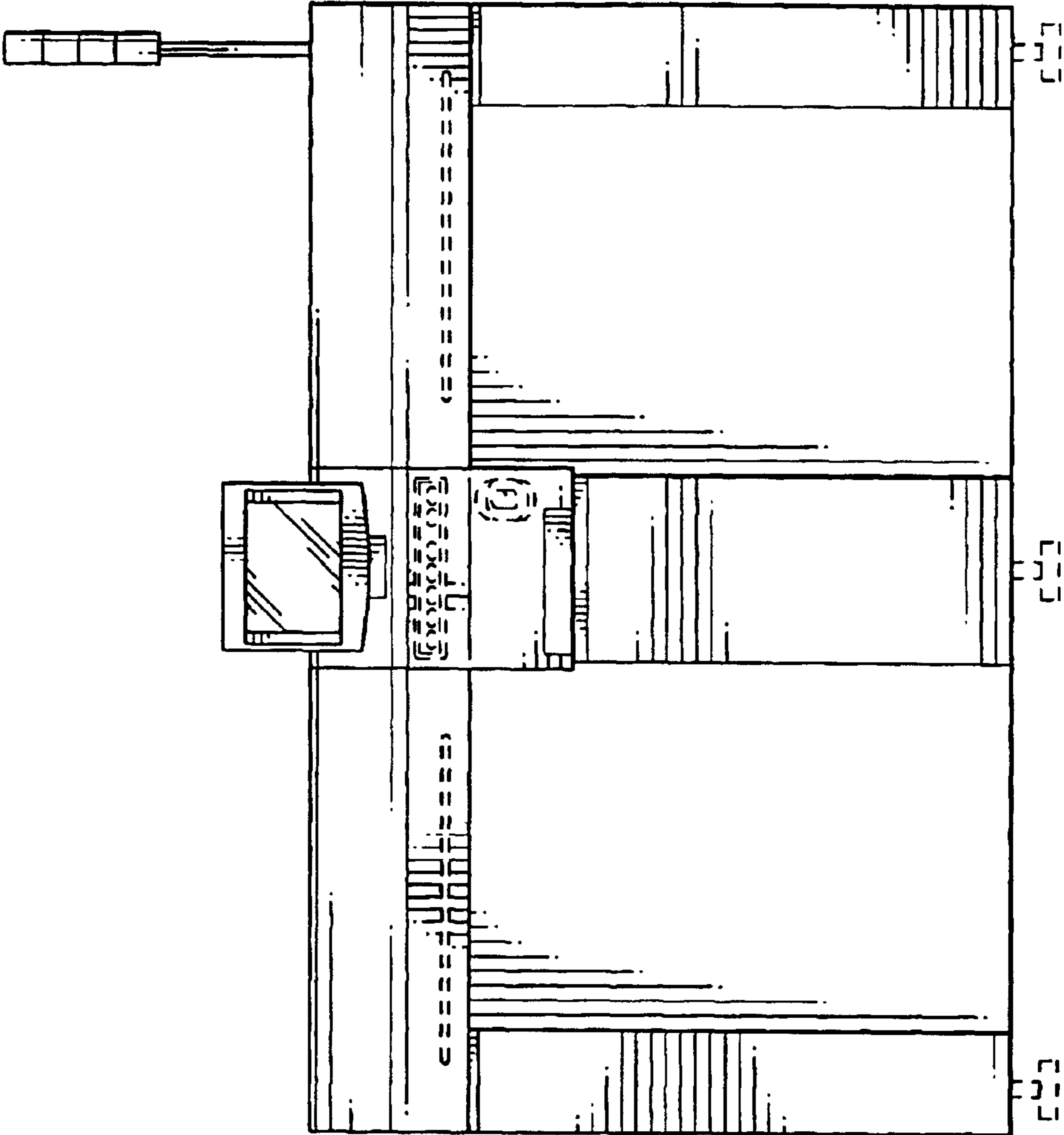


FIG. 2

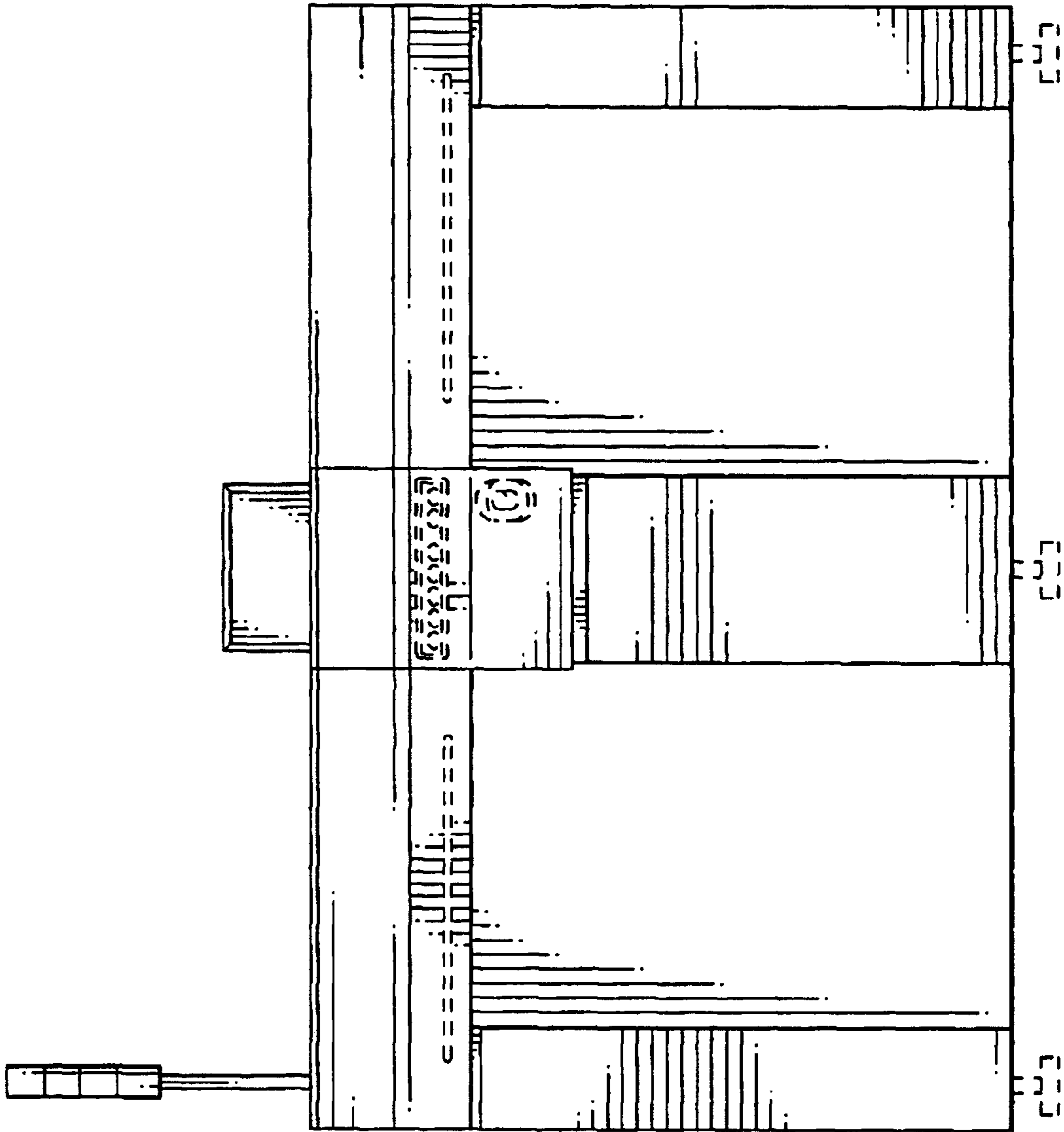


FIG. 3

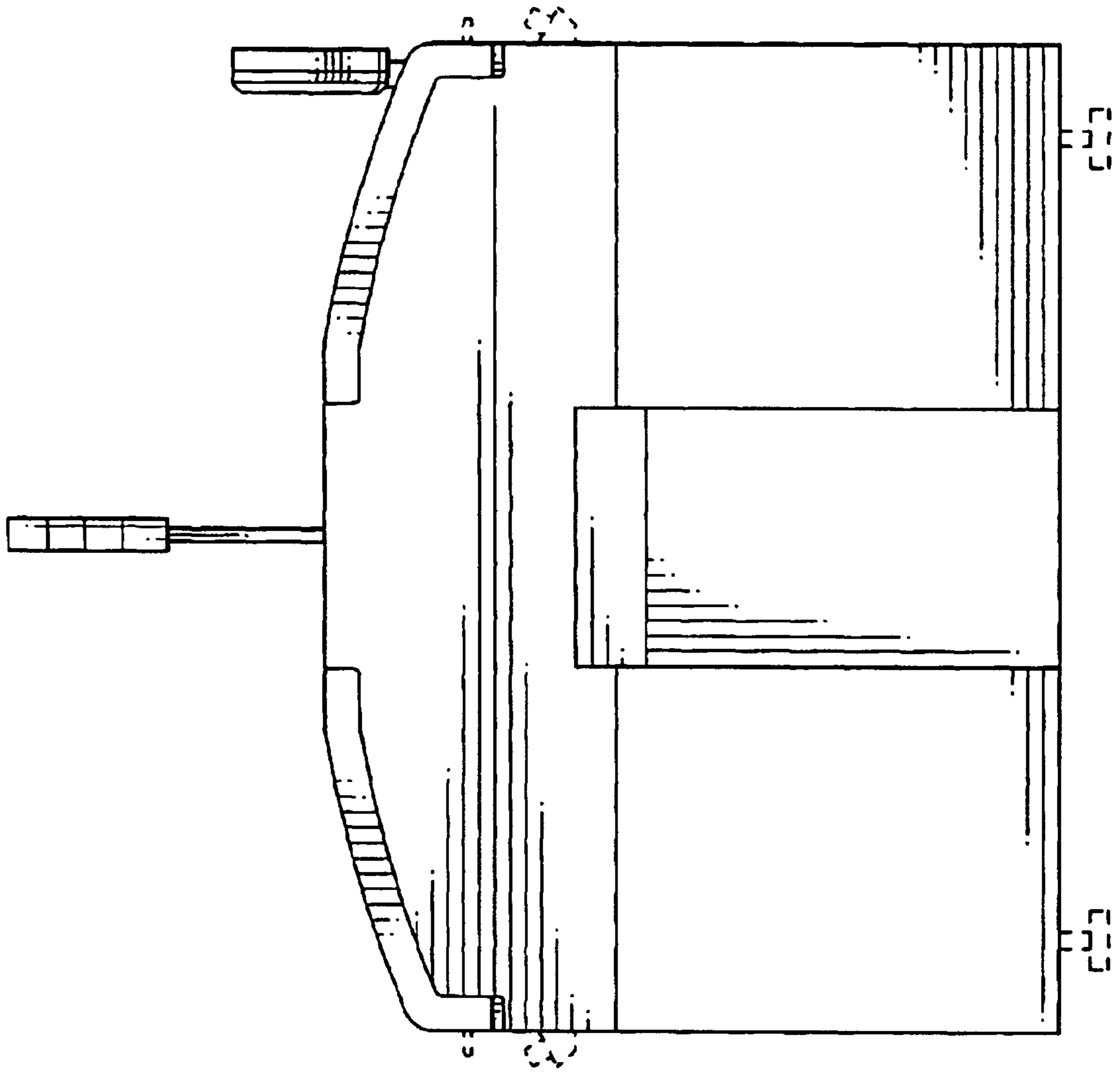
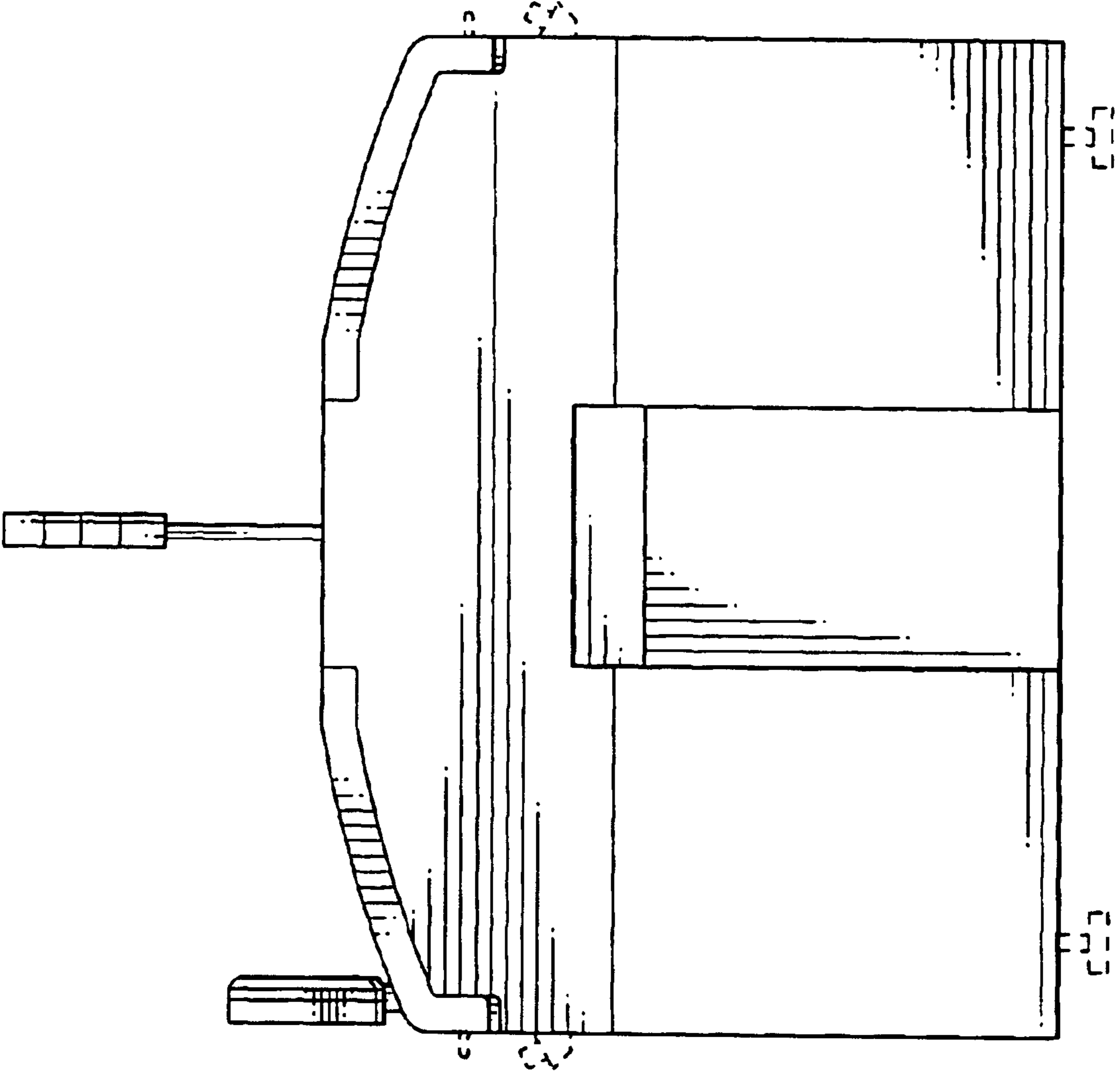


FIG. 4



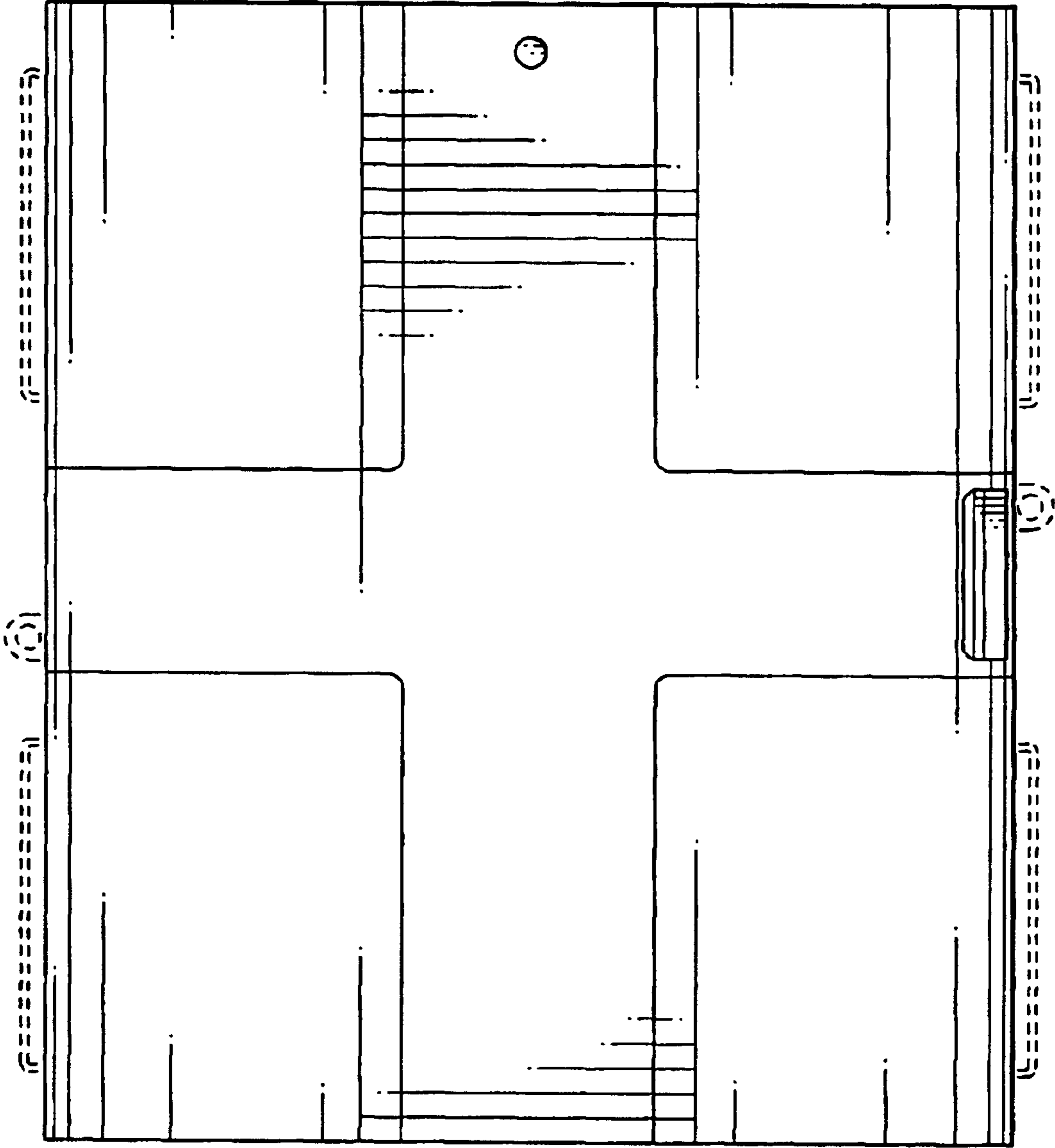


FIG. 6

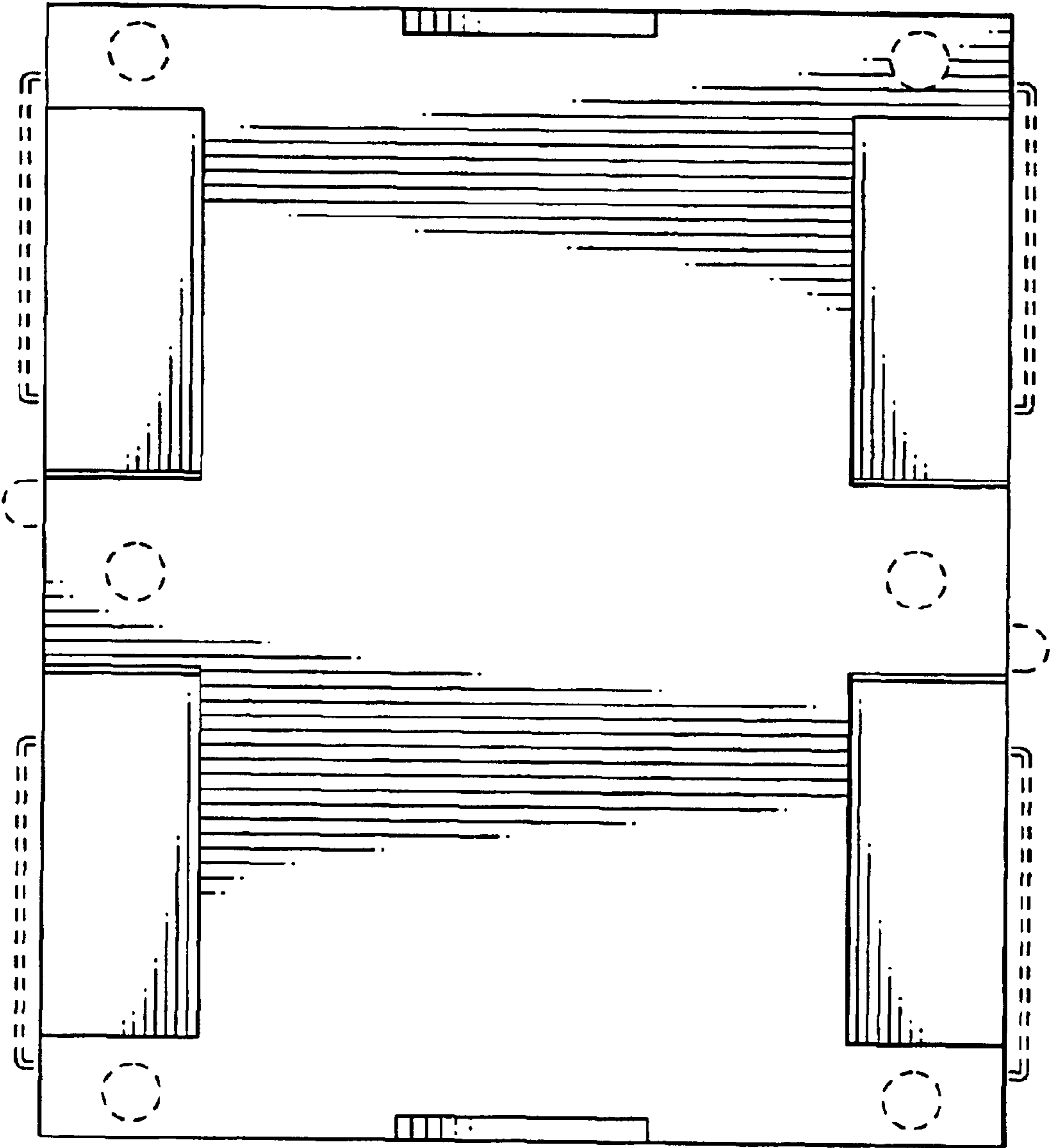


FIG. 7

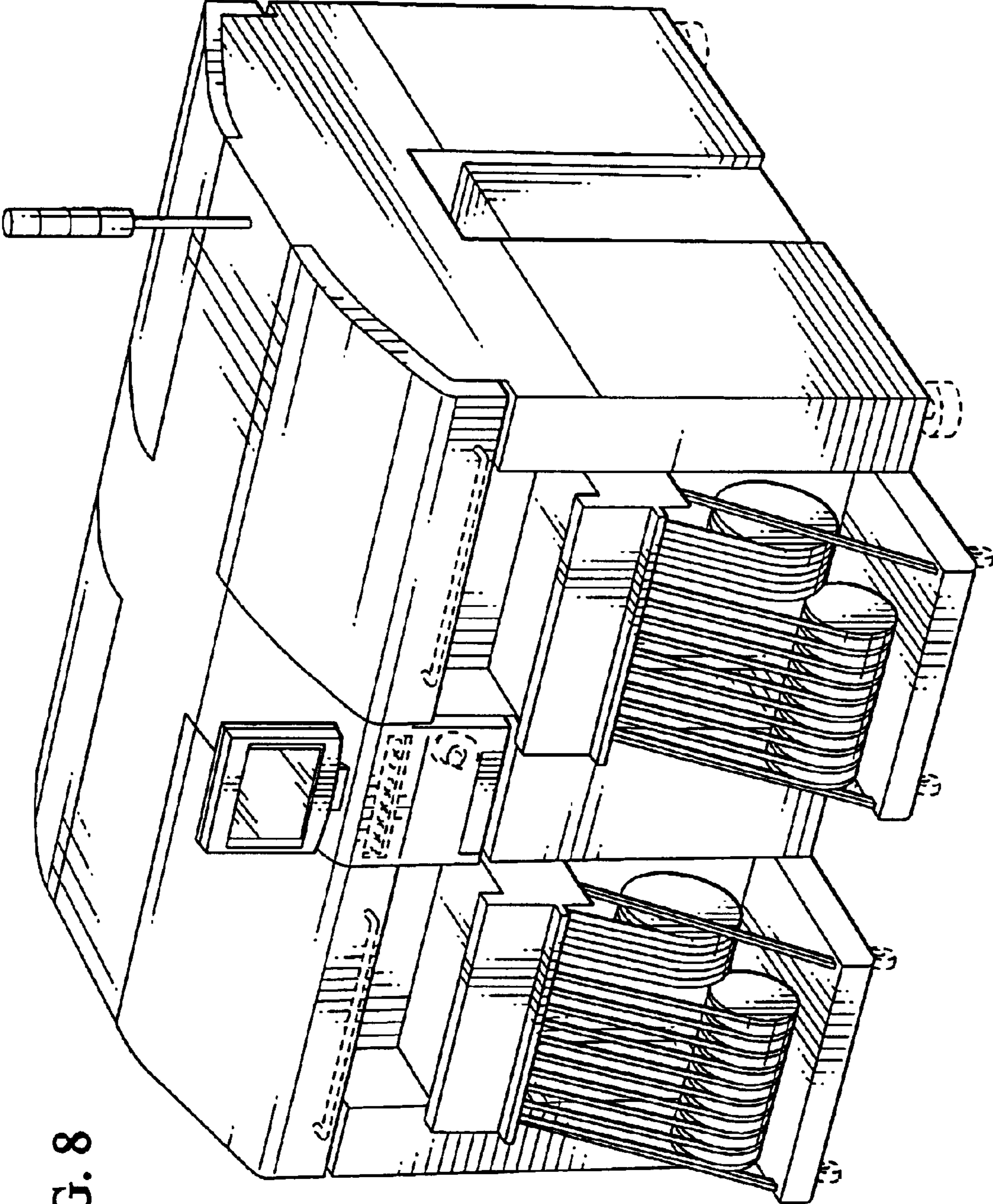


FIG. 8

UNITED STATES PATENT AND TRADEMARK OFFICE
CERTIFICATE OF CORRECTION

PATENT NO. : Des. 493,808 S
DATED : August 3, 2004
INVENTOR(S) : Yasuhiko Tanaka et al.

Page 1 of 1

It is certified that error appears in the above-identified patent and that said Letters Patent is hereby corrected as shown below:

Title page.

Item [75], Inventors, delete “**Yosuhiko**” and substitute -- **Yasuhiko** -- in its place.

Signed and Sealed this

Fifteenth Day of February, 2005

A handwritten signature in black ink on a light gray dotted background. The signature reads "Jon W. Dudas" in a cursive style.

JON W. DUDAS

Director of the United States Patent and Trademark Office