

US00D493806S1

(12) **United States Design Patent**
Csiki

(10) **Patent No.:** **US D493,806 S**

(45) **Date of Patent:** **** Aug. 3, 2004**

(54) **ENGINE**

D465,498 S * 11/2002 Geffert D15/1
D466,131 S * 11/2002 Geffert D15/1

(75) **Inventor:** **Robert Csiki**, Champaign, IL (US)

* cited by examiner

(73) **Assignee:** **Horizon Hobby, Inc.**, Champaign, IL (US)

Primary Examiner—Melody N. Brown
(74) *Attorney, Agent, or Firm*—Cook, Alex, McFarron, Manzo, Cummings & Mehler, Ltd.

(**) **Term:** **14 Years**

(57) **CLAIM**

(21) **Appl. No.:** **29/170,357**

The ornamental designs for an engine, as shown and described.

(22) **Filed:** **Nov. 4, 2002**

(51) **LOC (7) Cl.** **15-01**

(52) **U.S. Cl.** **D15/1**

(58) **Field of Search** D15/1, 3, 5; 123/195.3, 123/198 E, 306, 308, 657, 661, 667

DESCRIPTION

FIG. 1 is a perspective view of an engine of my design; FIG. 2 is an elevational view of one side of the engine; FIG. 3 is an elevational view of the other side of the engine; FIG. 4 is a front elevational view of the engine; FIG. 5 is a rear elevational view of the engine; FIG. 6 is a top plan view of the engine; and, FIG. 7 is a bottom plan view of the engine.

The broken lines in the foregoing figures are shown for illustrative purposes only and form no part of the invention in the figures in which they appear.

(56) **References Cited**

U.S. PATENT DOCUMENTS

D285,077 S	*	8/1986	Moody	D15/1
D287,128 S	*	12/1986	Yamamoto	D15/1
D328,304 S	*	7/1992	Frohn et al.	D15/7
D414,499 S	*	9/1999	Ohi et al.	D15/1
D417,674 S	*	12/1999	Feuling	D15/1
D444,478 S	*	7/2001	Shimizu	D15/1

1 Claim, 6 Drawing Sheets

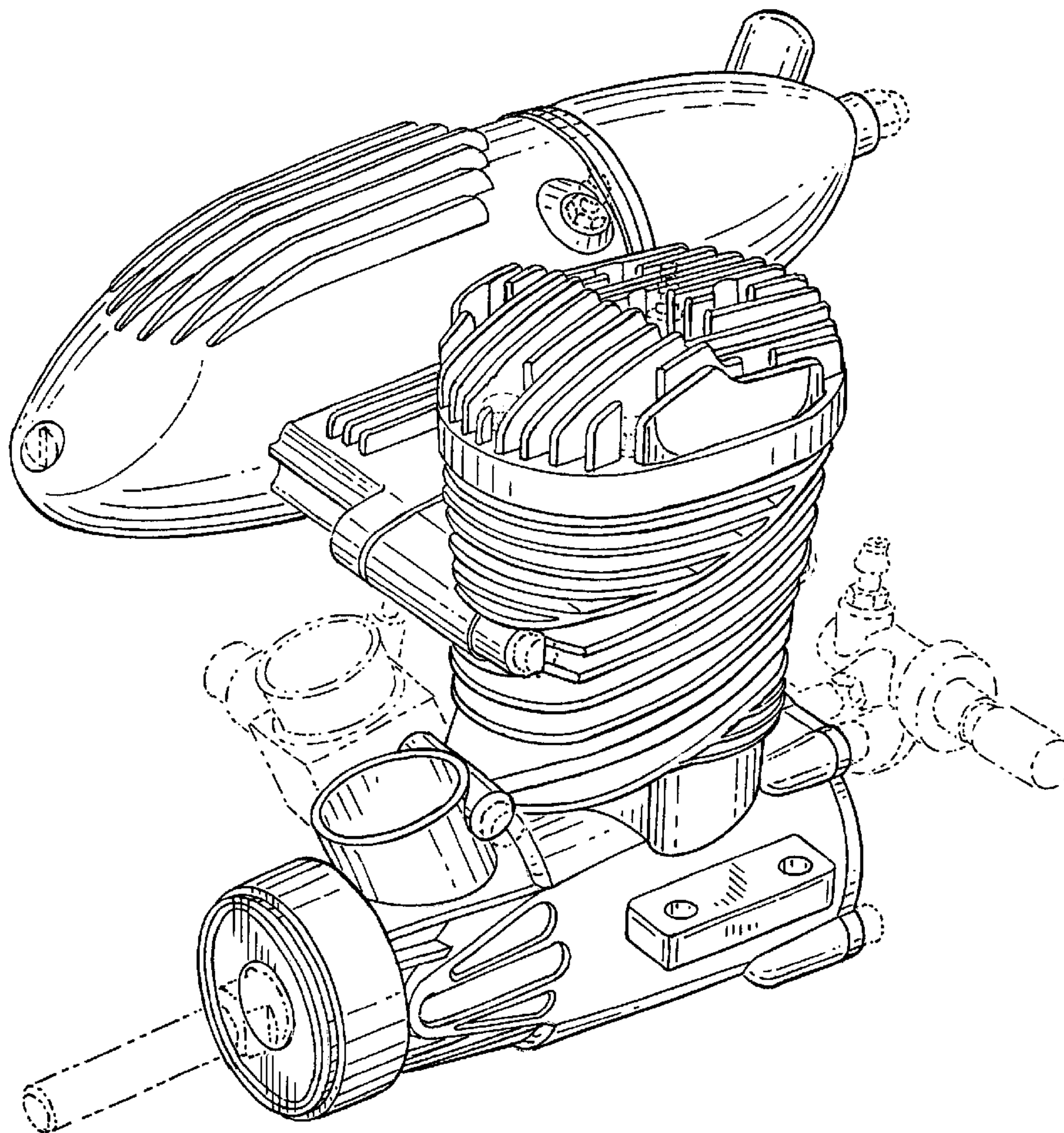
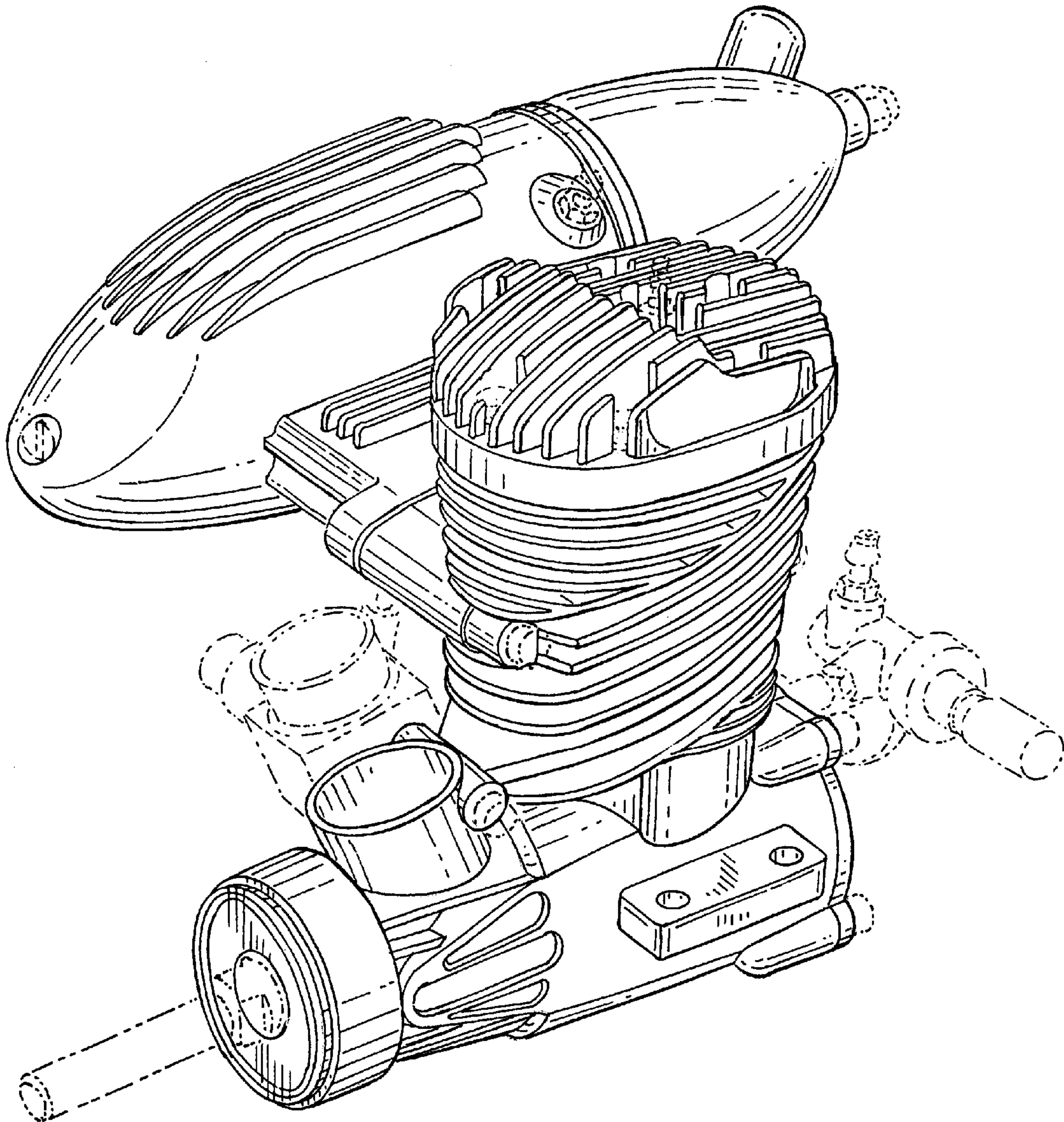


FIG. 1



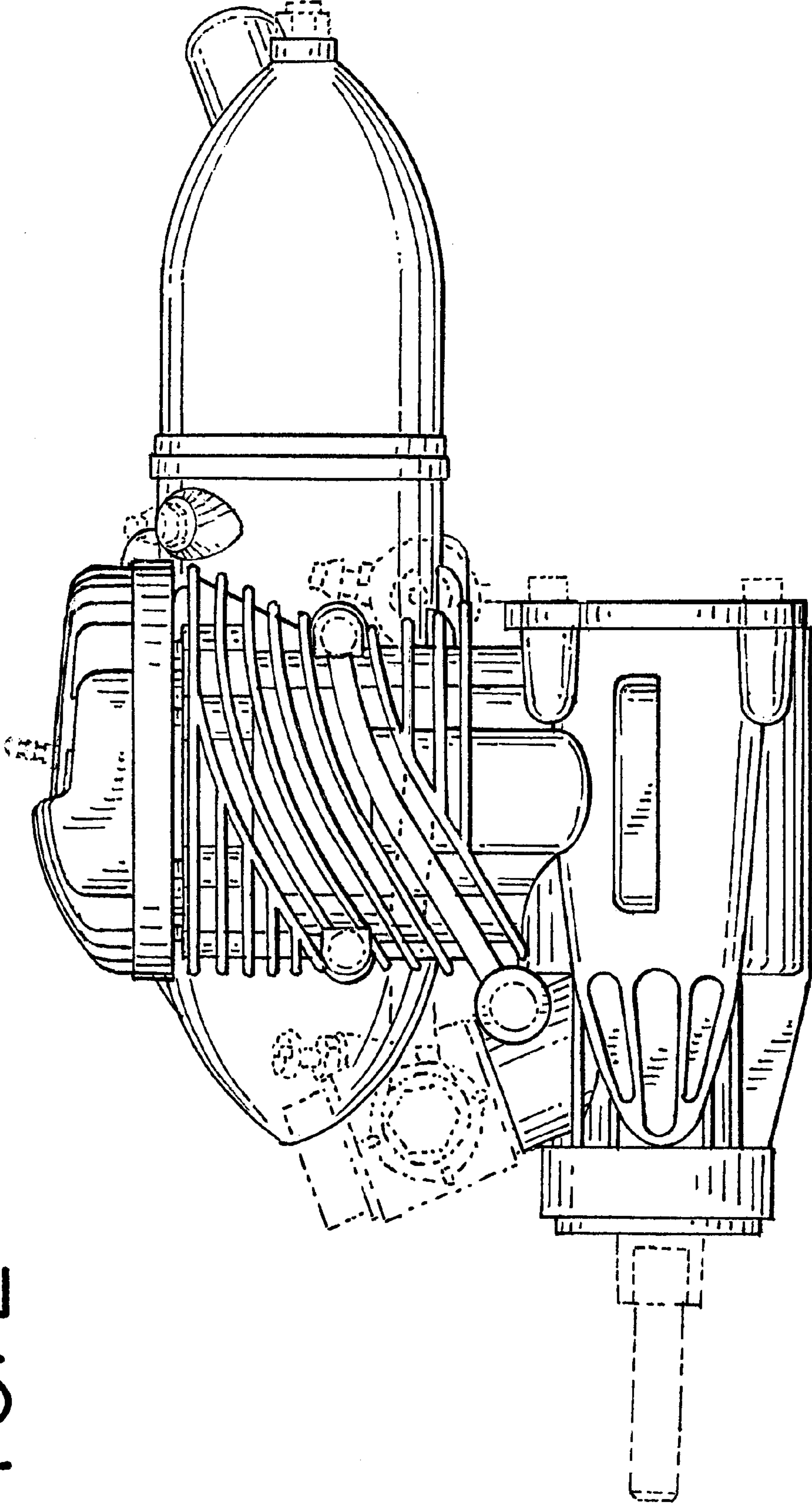


FIG. 2

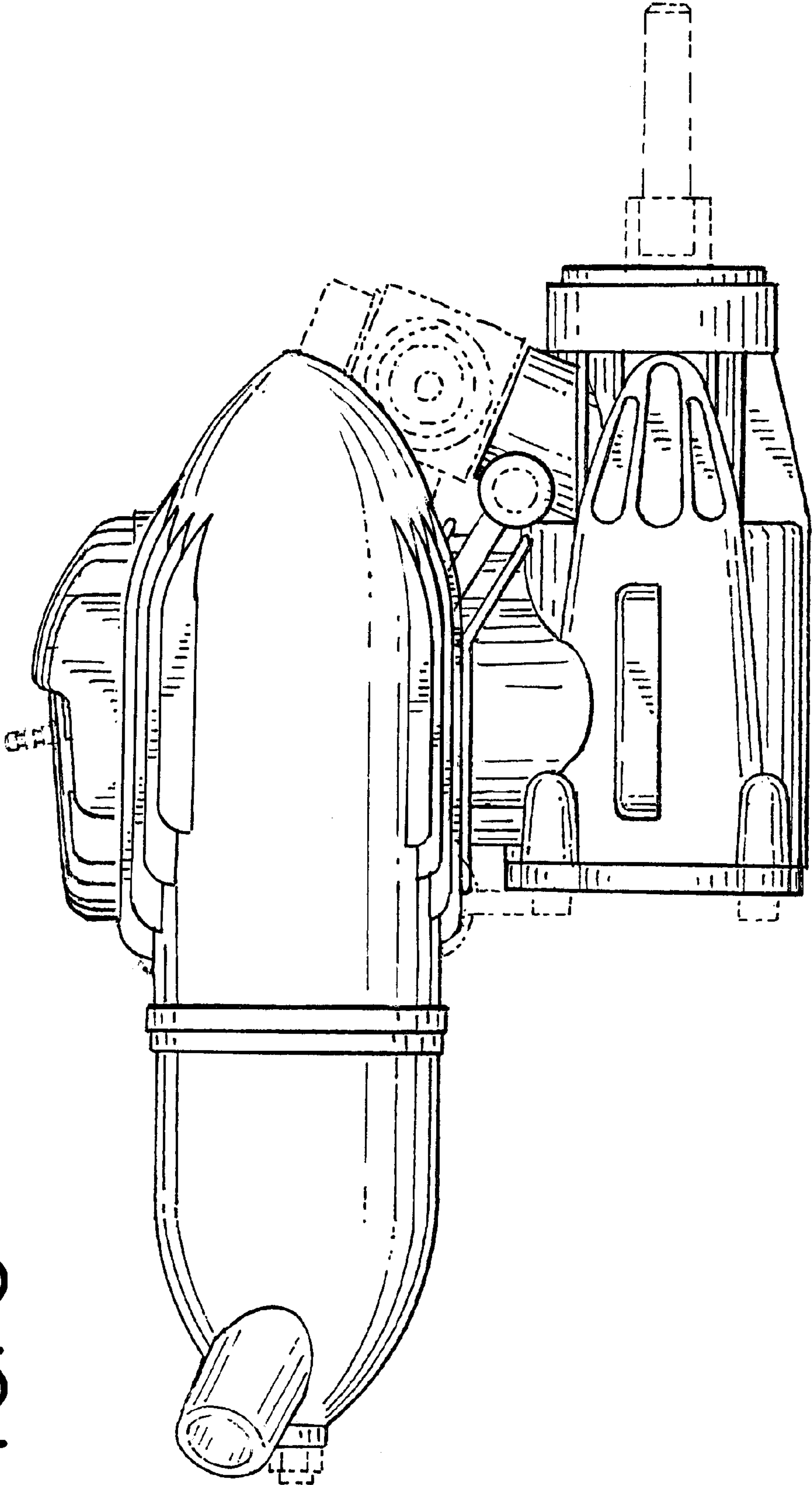


FIG. 3

FIG. 4

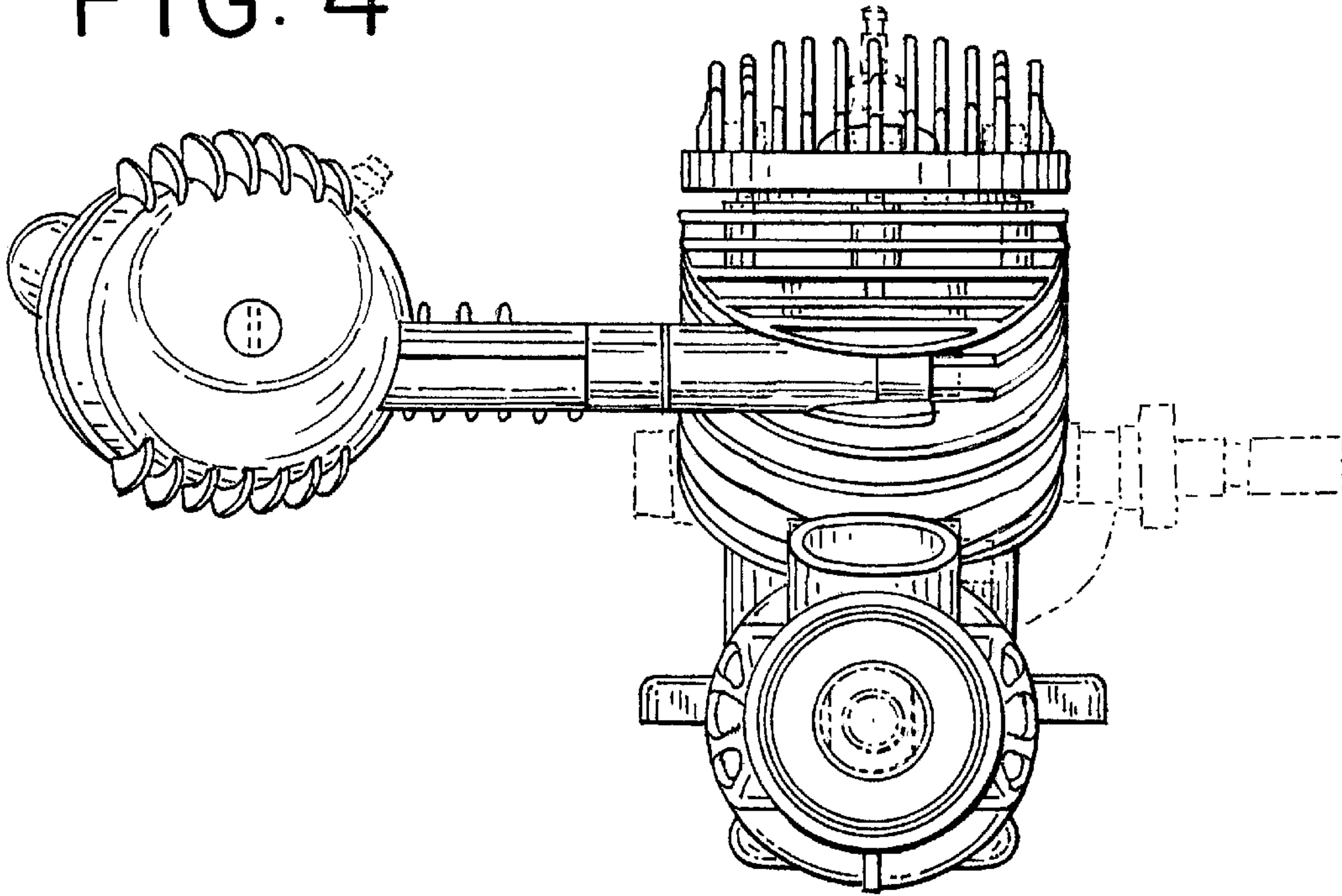
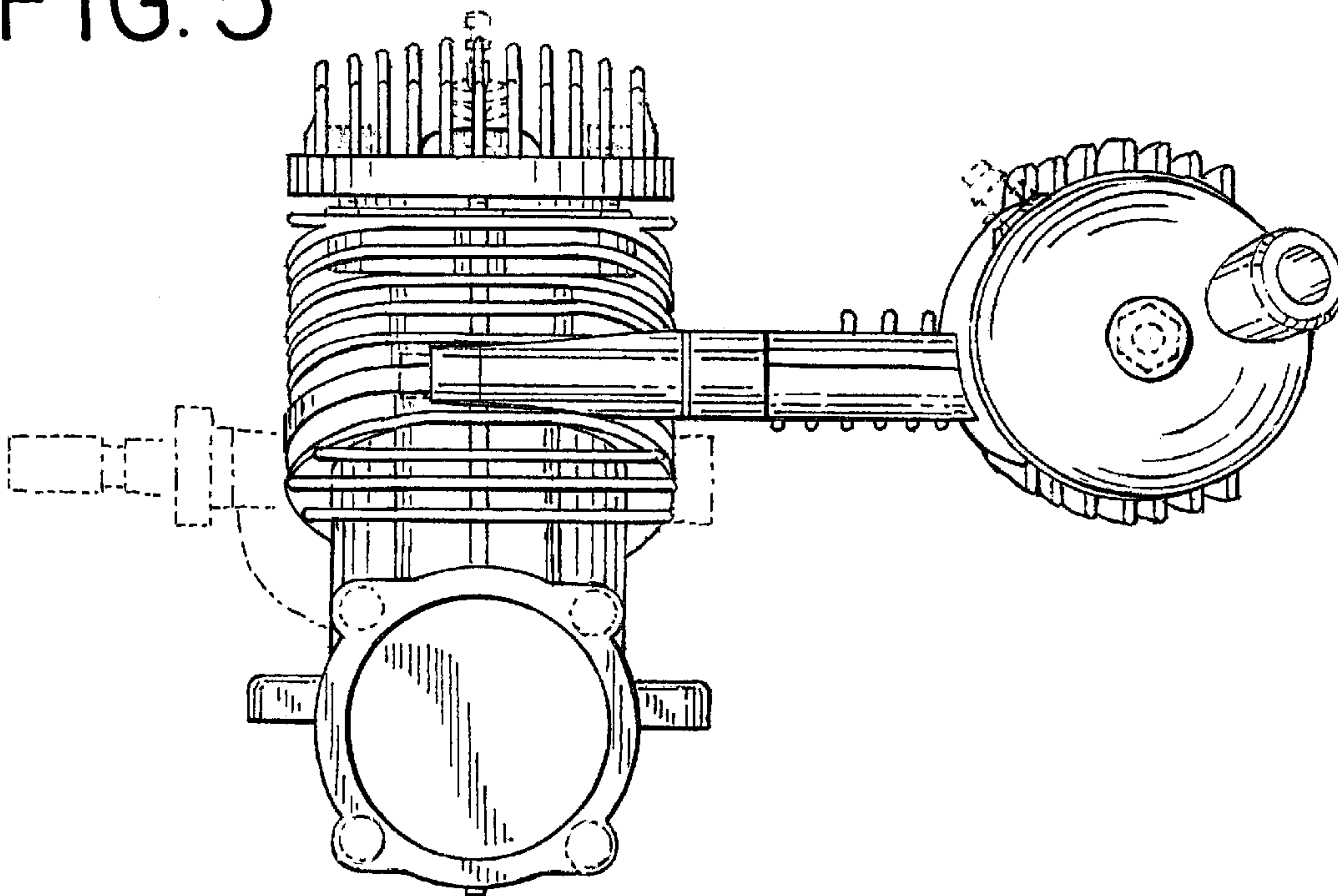


FIG. 5



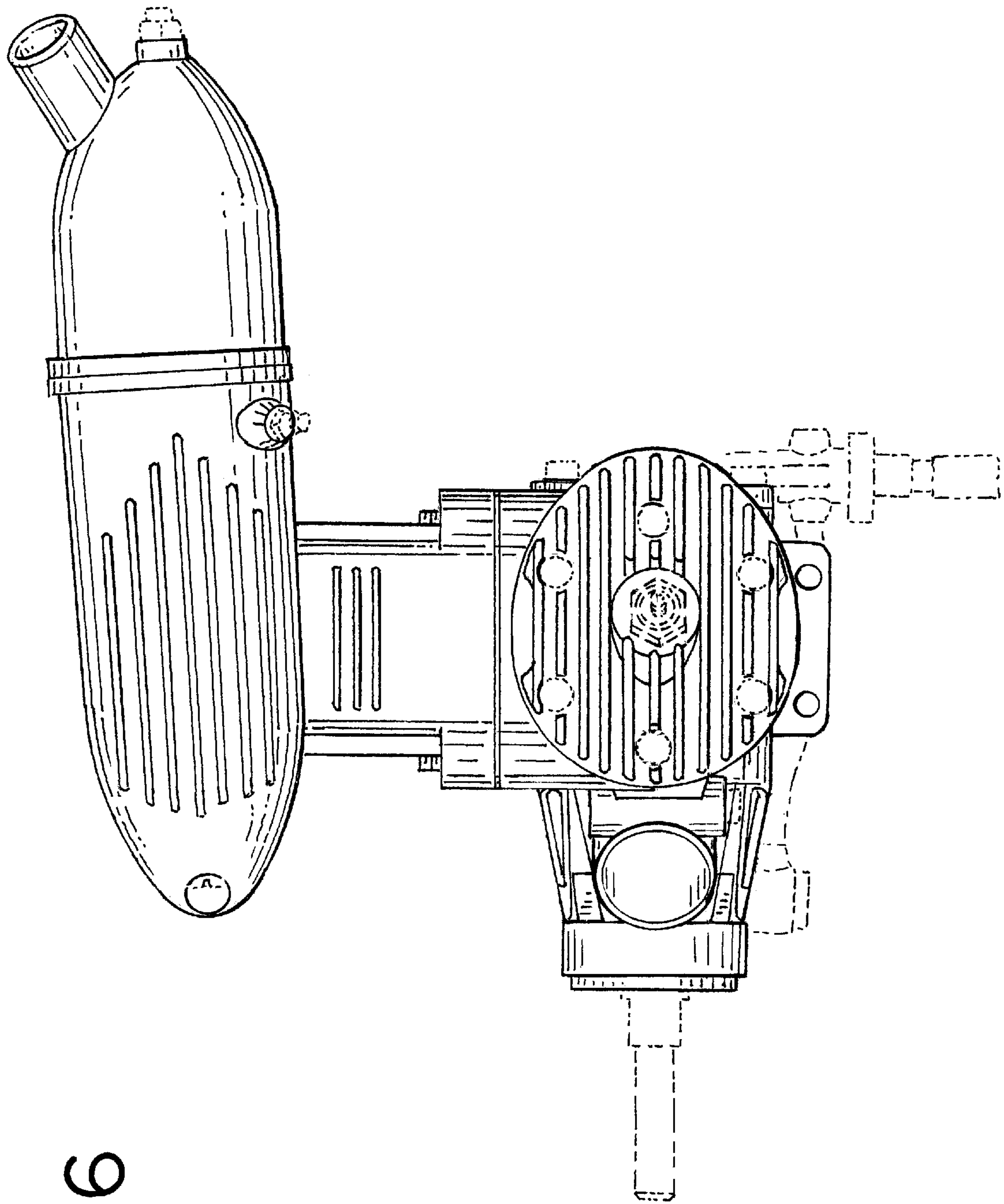


FIG. 6

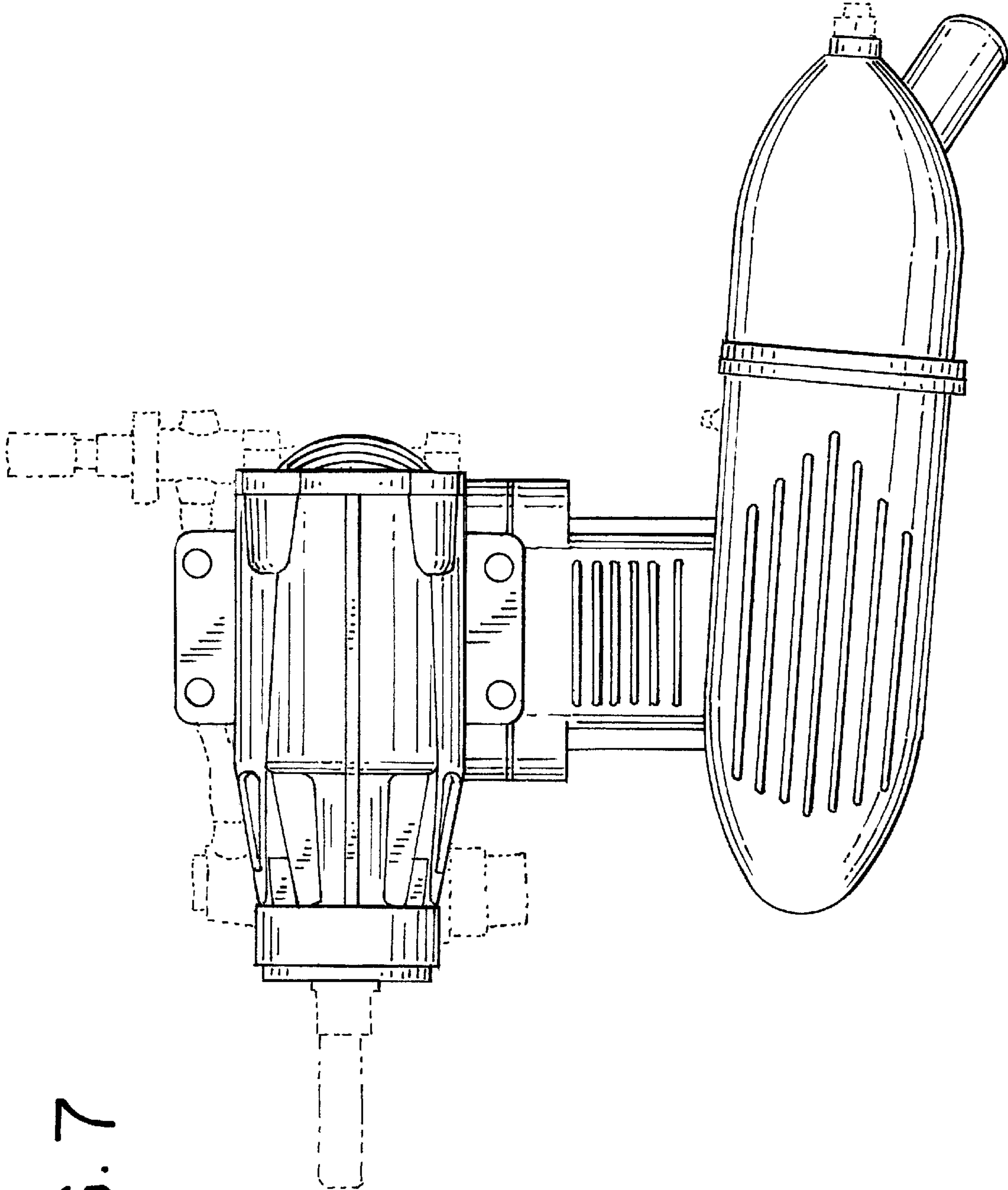


FIG. 7