

US00D493801S1

(12) **United States Design Patent** (10) **Patent No.:** **US D493,801 S**
Byun (45) **Date of Patent:** **** Aug. 3, 2004**

(54) **CHARGING CRADLE FOR BAR CODE READER**

(76) Inventor: **Sung Ho Byun**, 1537 Chalet Dr., Cherry Hill, NJ (US) 08003

(**) Term: **14 Years**

(21) Appl. No.: **29/174,096**

(22) Filed: **Jan. 10, 2003**

(51) **LOC (7) Cl.** **14-02**

(52) **U.S. Cl.** **D14/453; D14/434**

(58) **Field of Search** D14/432, 434, D14/447, 448, 451, 457, 453; 361/686, 679-683; D13/108, 107; D21/324, 333; 273/148 B

(56) **References Cited**

U.S. PATENT DOCUMENTS

D316,087 S	*	4/1991	Meckstroth et al.	D14/453
D317,911 S	*	7/1991	Yokoi	D14/453
D366,237 S	*	1/1996	Yang	D13/108
D378,519 S	*	3/1997	Ober et al.	D14/453
D466,476 S	*	12/2002	Stratford	D13/108
D466,511 S	*	12/2002	Croley et al.	D14/434

D474,736 S * 5/2003 Sagawa D13/108

* cited by examiner

Primary Examiner—Kay H. Chin

(74) *Attorney, Agent, or Firm*—Nancy A. Smith, Esq.

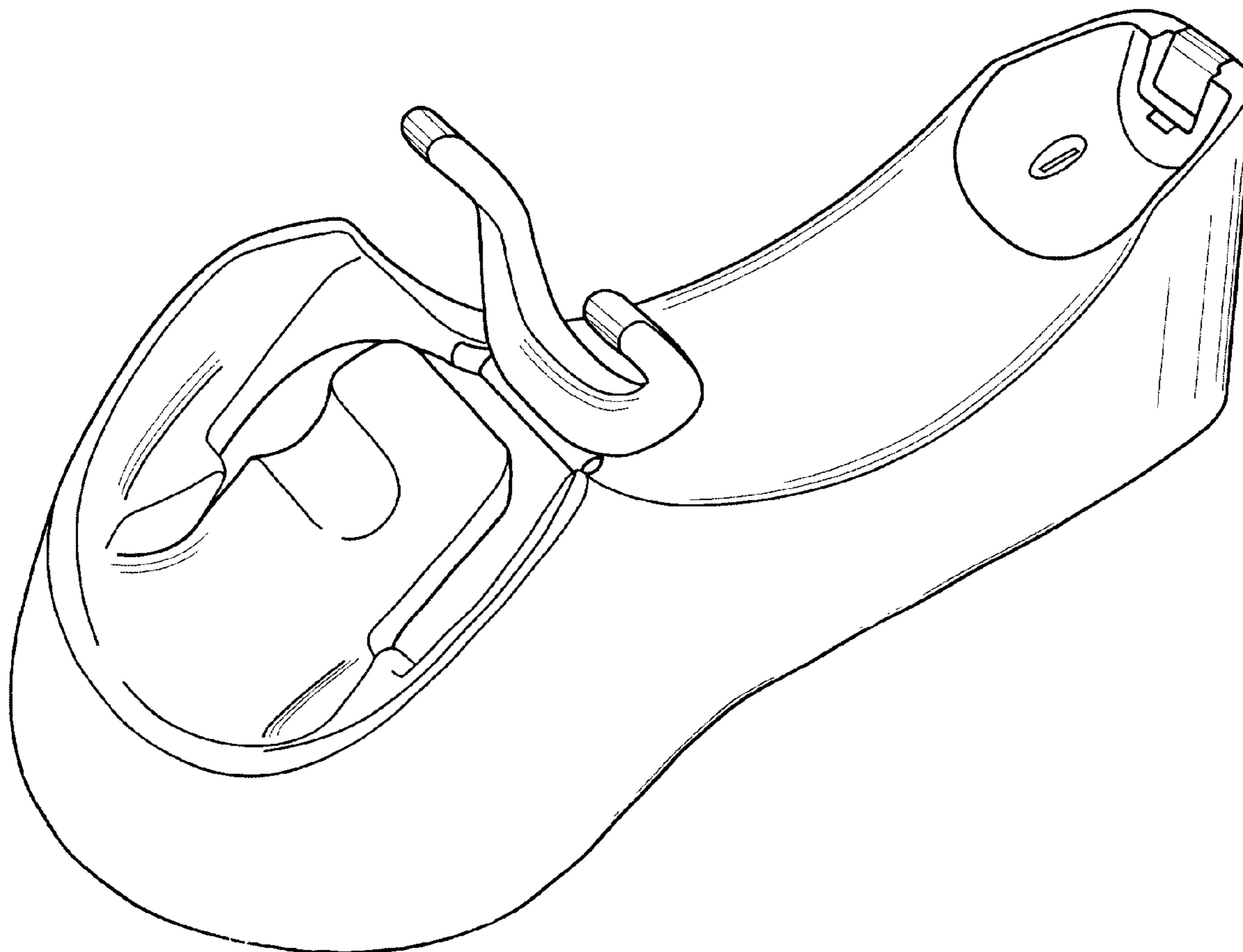
(57) **CLAIM**

The ornamental design for a charging cradle for bar code reader, as shown.

DESCRIPTION

FIG. 1 is a perspective view of the charging cradle for bar code reader of the present invention;
 FIG. 2 is a front view of the charging cradle for bar code reader of the present invention;
 FIG. 3 is a rear view of the charging cradle for bar code reader of the present invention;
 FIG. 4 is a right side view of the charging cradle for bar code reader of the present invention;
 FIG. 5 is a left side view of the charging cradle for bar code reader of the present invention;
 FIG. 6 is a top view of the charging cradle for bar code reader of the present invention; and,
 FIG. 7 is a bottom view of the charging cradle for bar code reader of the present invention.

1 Claim, 4 Drawing Sheets



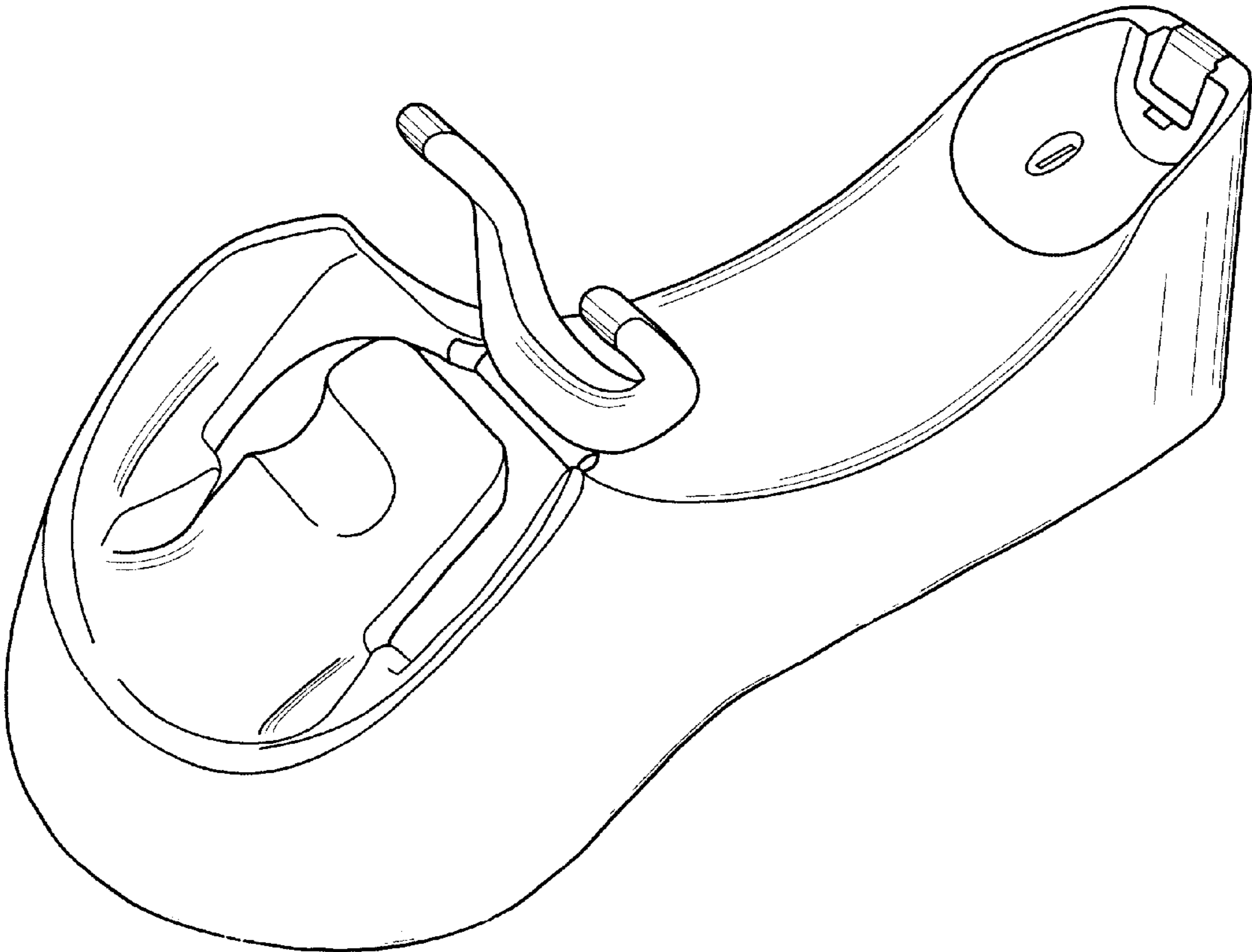


FIG. 1

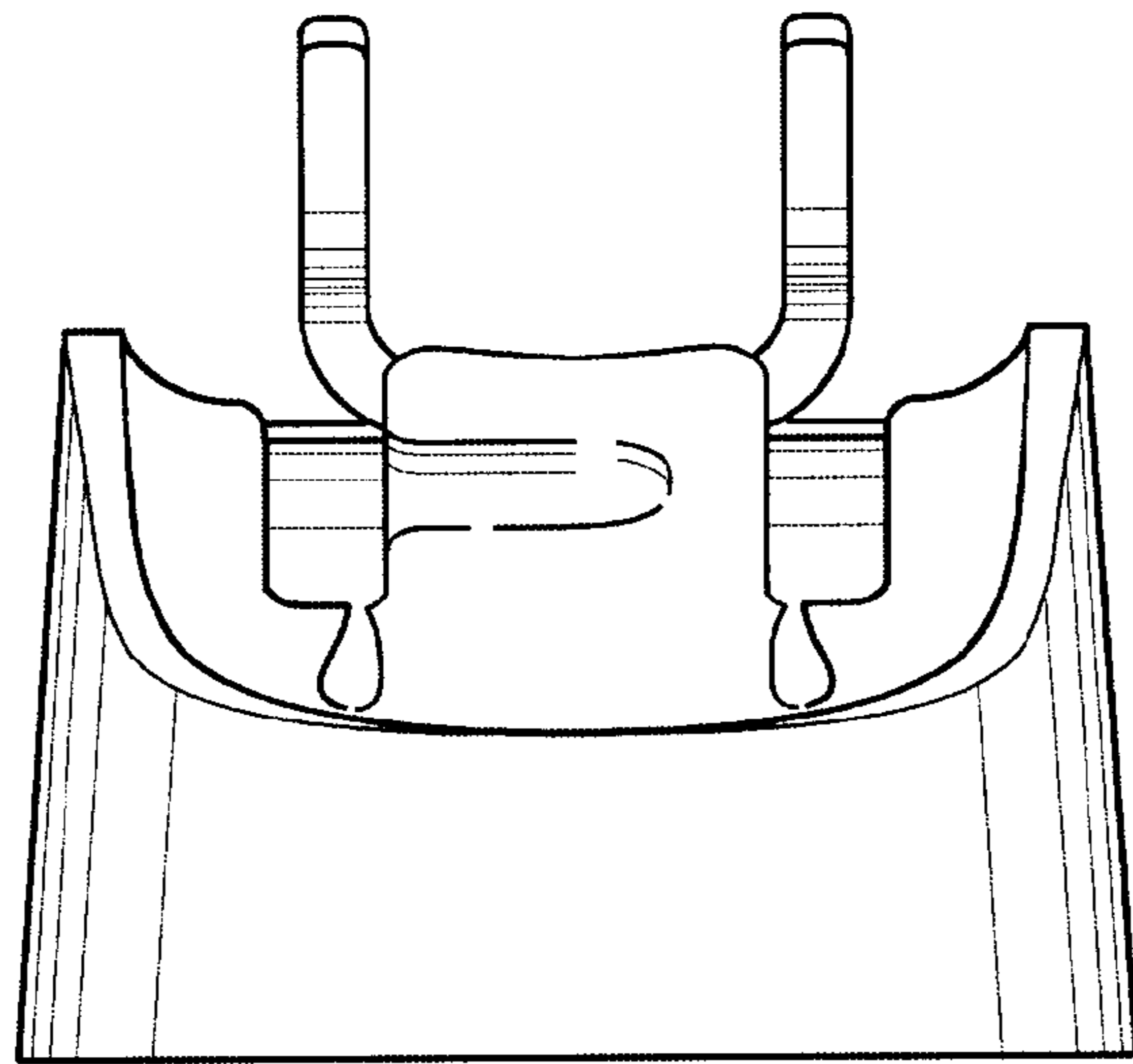


FIG. 2

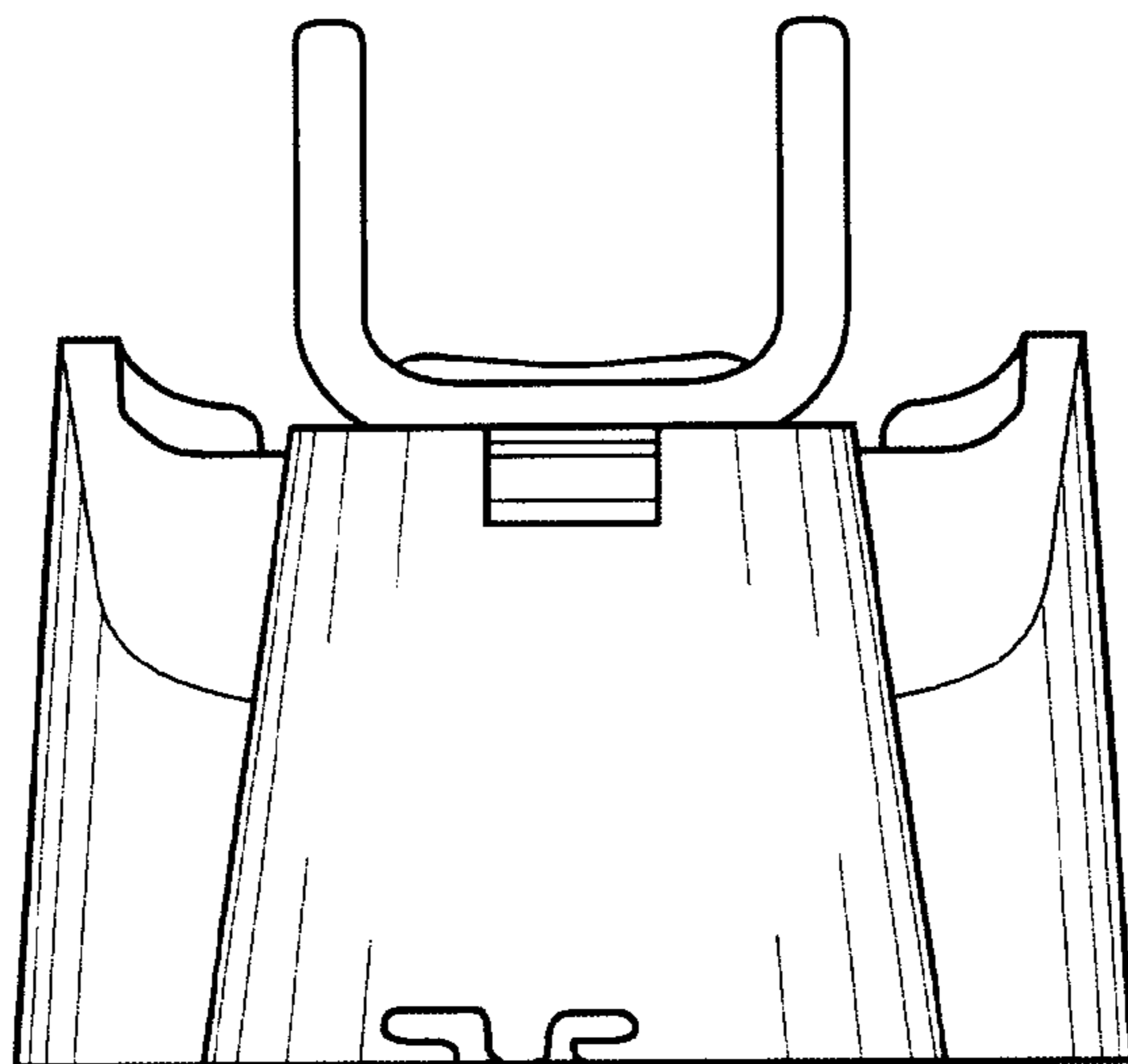


FIG. 3

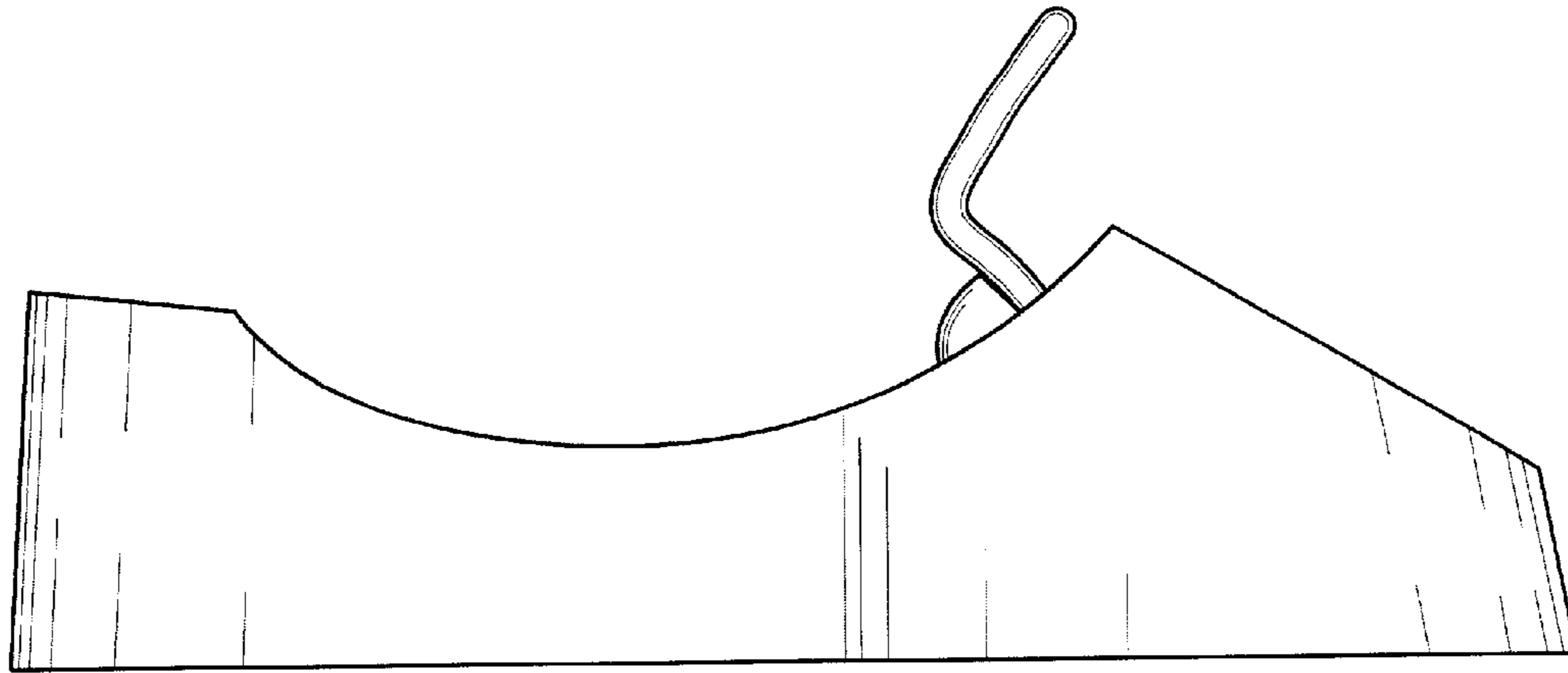


FIG. 4

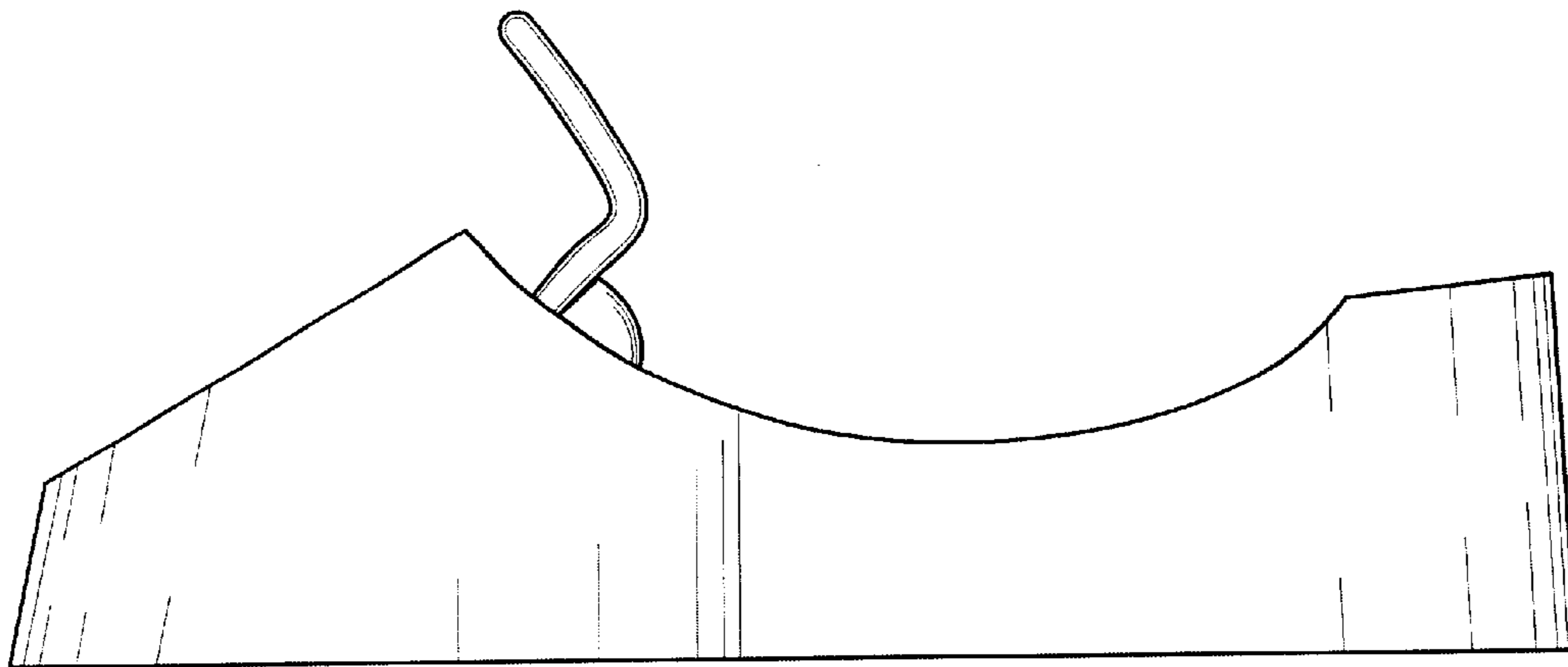


FIG. 5

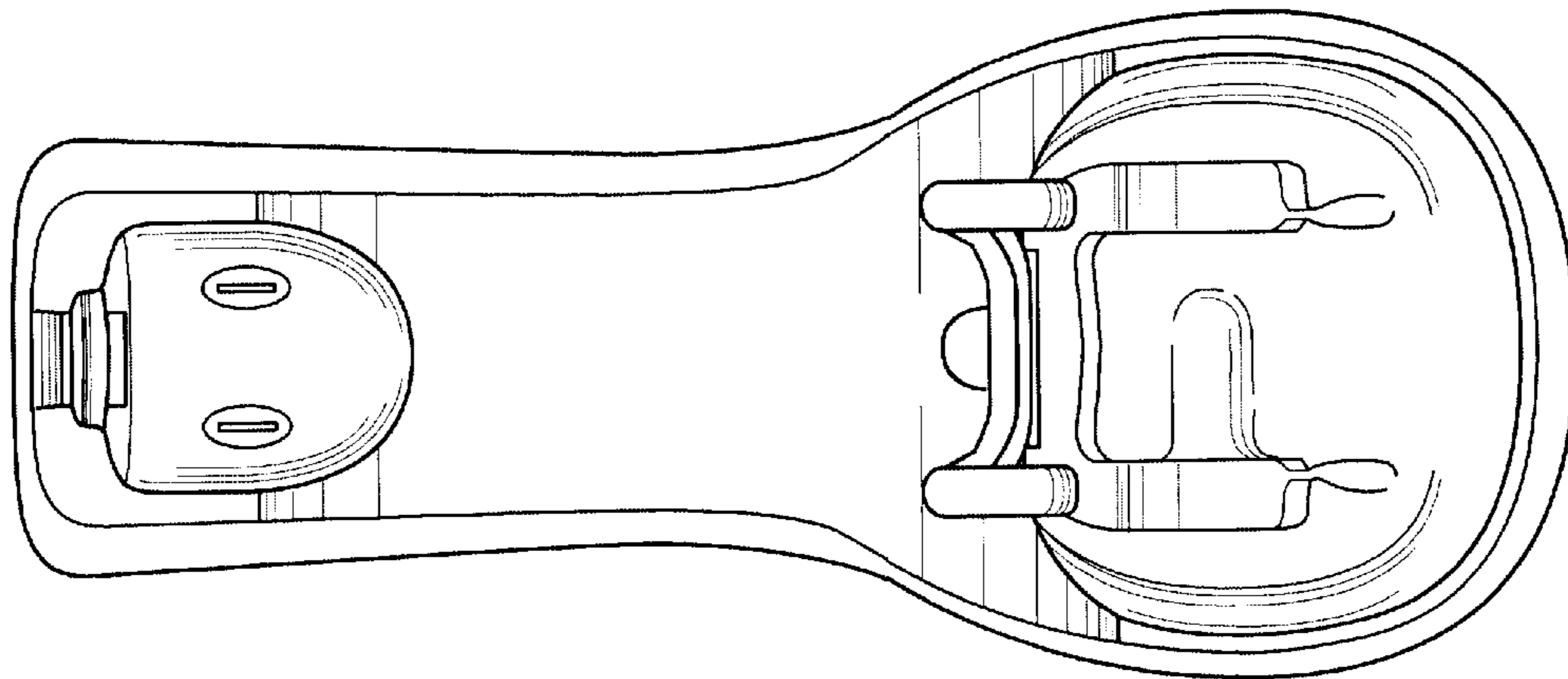


FIG. 6

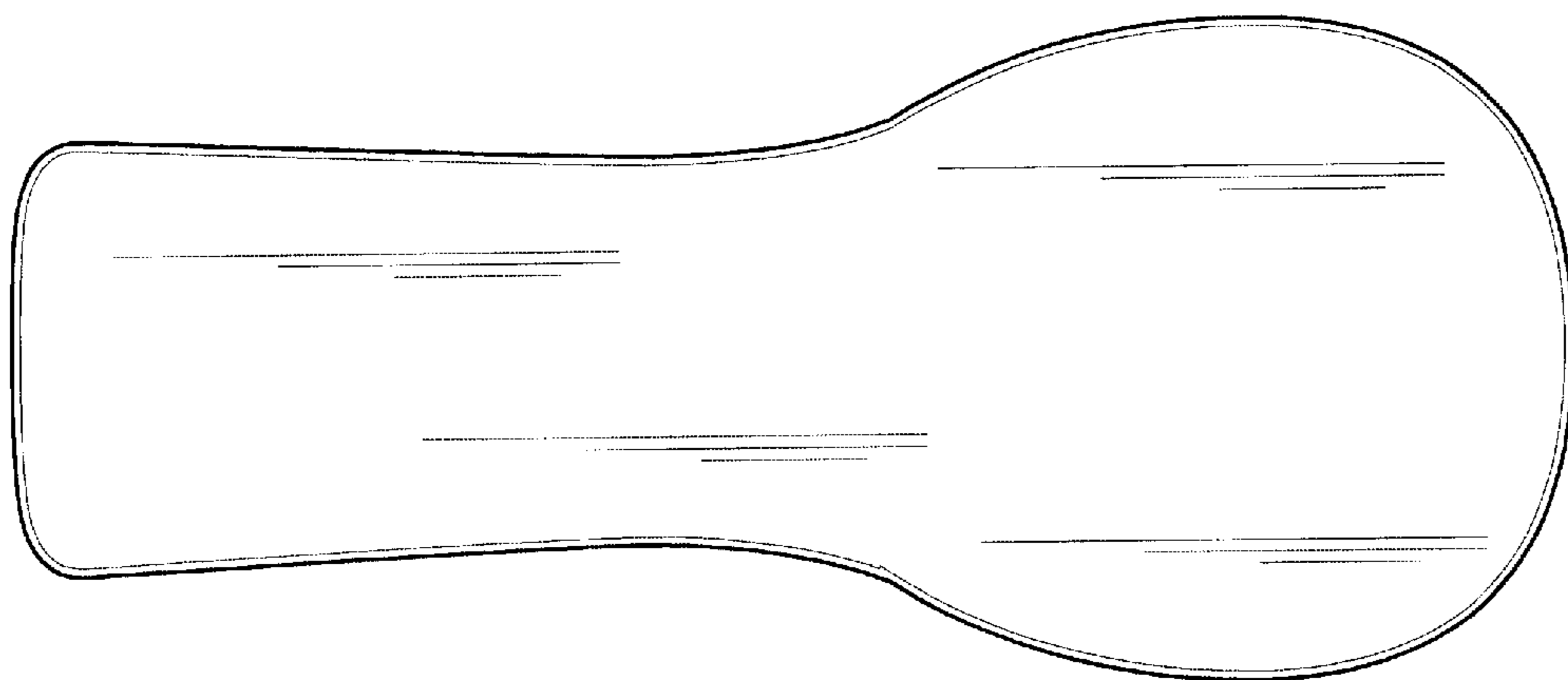


FIG. 7

UNITED STATES PATENT AND TRADEMARK OFFICE
CERTIFICATE OF CORRECTION

PATENT NO. : Des. 493,801 S
DATED : August 3, 2004
INVENTOR(S) : Sung Ho Byun and Meng Hu

Page 1 of 1

It is certified that error appears in the above-identified patent and that said Letters Patent is hereby corrected as shown below:

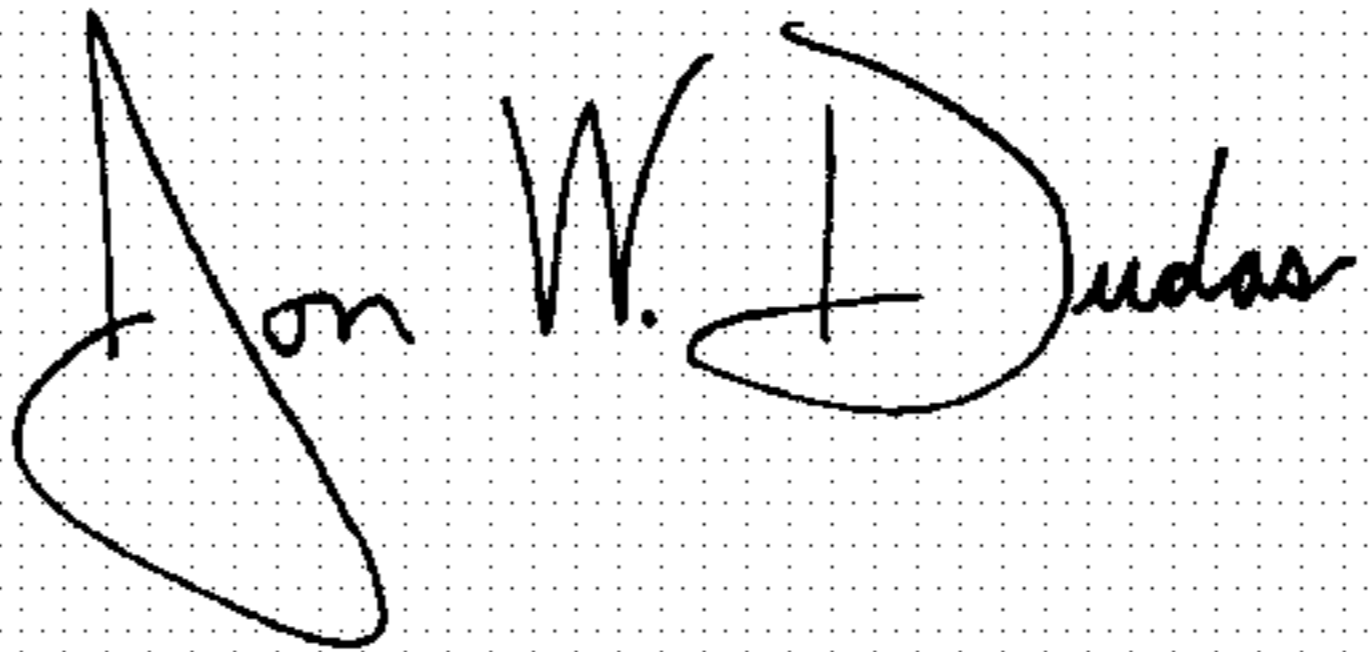
Title page.

Item [76], Inventors, should read as follows:

-- **Sung Ho Byun**, Cherry Hill, NJ (US)
Meng Hu, Suzhou, China --

Signed and Sealed this

Twenty-first Day of September, 2004

A handwritten signature in black ink on a dotted background. The signature reads "Jon W. Dudas" in a cursive style.

JON W. DUDAS

Director of the United States Patent and Trademark Office