

US00D493800S1

(12) **United States Design Patent** (10) **Patent No.:** **US D493,800 S**
Pfister et al. (45) **Date of Patent:** **** Aug. 3, 2004**

(54) **DISPLAY MOUNT**

(75) Inventors: **Joel W. Pfister**, Shorewood, MN (US);
Dominic D. Grey, Blaine, MN (US)

(73) Assignee: **Decade Industries, Inc.**, Arden Hills,
MN (US)

(**) Term: **14 Years**

(21) Appl. No.: **29/196,731**

(22) Filed: **Jan. 2, 2004**

(51) **LOC (7) Cl.** **14-02**

(52) **U.S. Cl.** **D14/451; D8/380; D8/349**

(58) **Field of Search** D14/432, 451,
D14/452, 457, 447, 230; D8/354, 355,
380, 349, 394; 248/276.1, 278.1, 289.11,
286.1, 917-924; 312/223.2; 361/681-683,
825

6,394,403	B1	5/2002	Hung	
6,402,109	B1	6/2002	Dittmer	
D460,078	S	7/2002	Li	
6,517,040	B1	2/2003	Wen	
6,554,238	B1	4/2003	Hibberd	
6,565,056	B2	5/2003	Lin	
D477,606	S	7/2003	Theis et al.	
6,592,090	B1	7/2003	Li	
6,604,722	B1	8/2003	Tan	
6,663,064	B1	12/2003	Minelli et al.	
6,672,553	B1	1/2004	Lin	
2002/0011544	A1	1/2002	Bosson	
2002/0084396	A1	* 7/2002	Weaver 248/278.1
2003/0075653	A1	4/2003	Li	
2003/0136888	A1	7/2003	Boele	
2003/0154673	A1	8/2003	MacGregor et al.	
2003/0201372	A1	10/2003	Dozier	
2003/0227739	A1	12/2003	Kim et al.	
2004/0011932	A1	1/2004	Duff	
2004/0011938	A1	1/2004	Oddsens, Jr.	

* cited by examiner

Primary Examiner—Kay H. Chin

(74) *Attorney, Agent, or Firm*—Kinney & Lange, P.A.

(56) **References Cited**

U.S. PATENT DOCUMENTS

5,751,548	A	5/1998	Hall et al.	
5,842,672	A	12/1998	Sweere et al.	
5,918,841	A	7/1999	Sweere et al.	
5,947,429	A	9/1999	Sweere et al.	
D415,768	S	* 10/1999	Howell D14/451
6,012,693	A	1/2000	Voeller et al.	
6,015,120	A	1/2000	Sweere et al.	
6,042,068	A	3/2000	Tcherny	
6,068,227	A	5/2000	Morgan et al.	
6,102,348	A	8/2000	O'Neill	
6,126,128	A	10/2000	Costa et al.	
6,273,382	B1	* 8/2001	Pemberton 248/286.1
6,367,756	B1	4/2002	Wang	
6,378,830	B1	4/2002	Lu	

(57) **CLAIM**

The ornamental design for a display mount, as shown.

DESCRIPTION

FIG. 1 is a perspective view;
FIG. 2 is a left-side view;
FIG. 3 is a right-side view;
FIG. 4 is a front view;
FIG. 5 is a rear view;
FIG. 6 is a top plan view; and,
FIG. 7 is a bottom plan view.

1 Claim, 5 Drawing Sheets

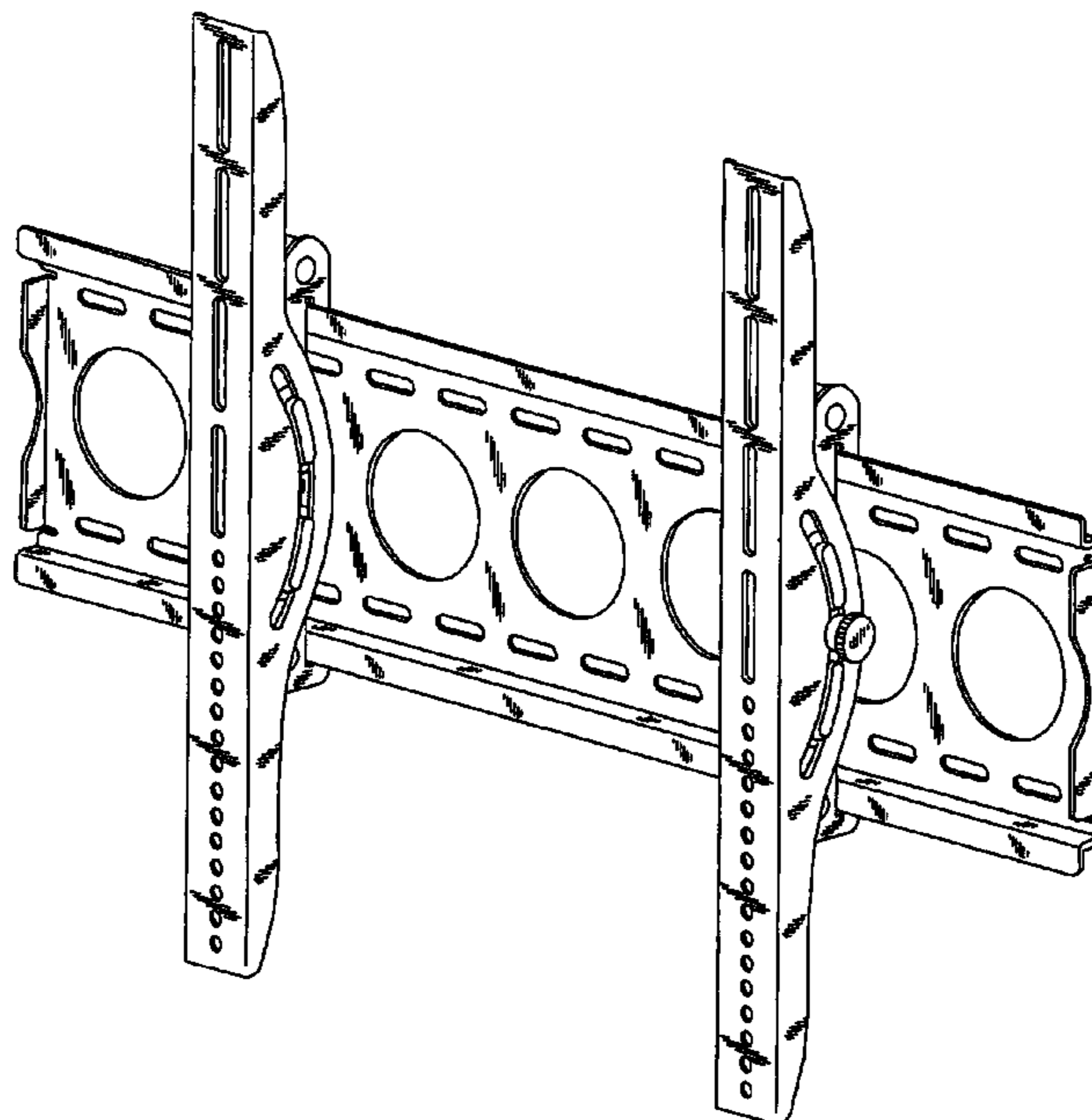
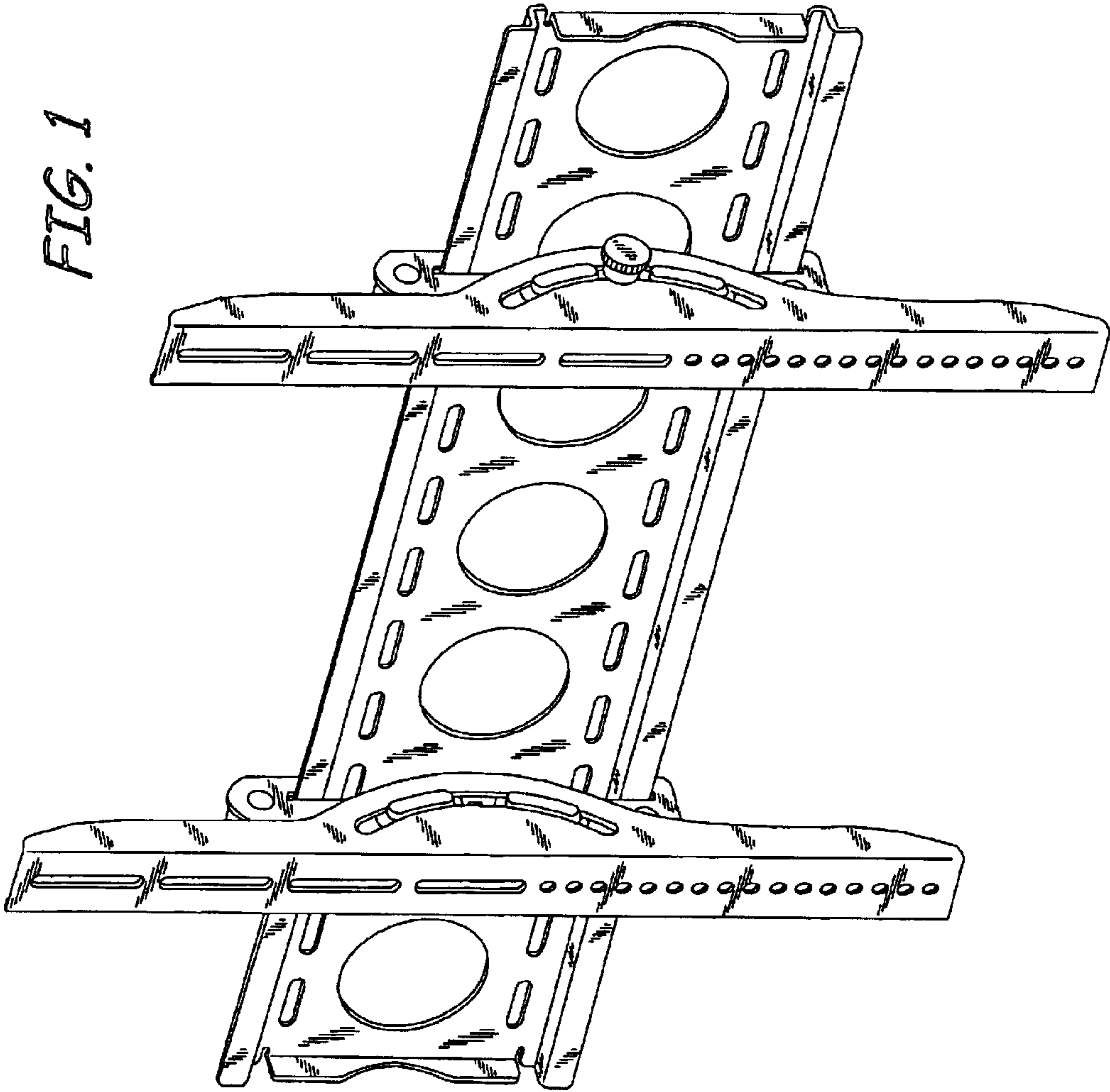


FIG. 1



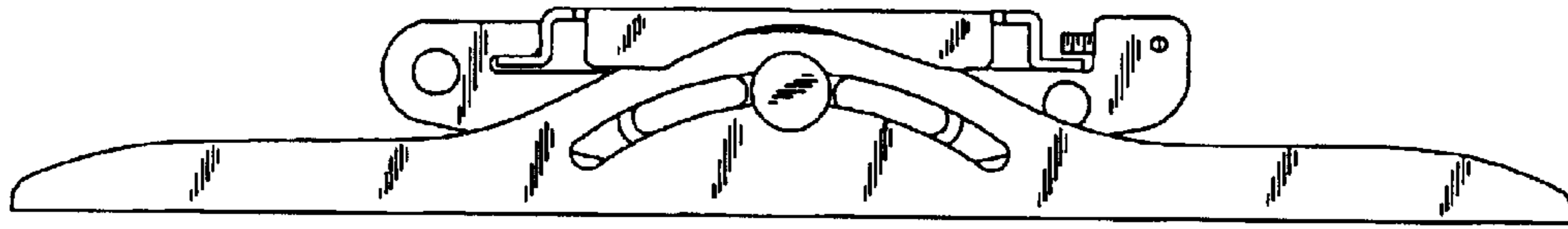


FIG. 3

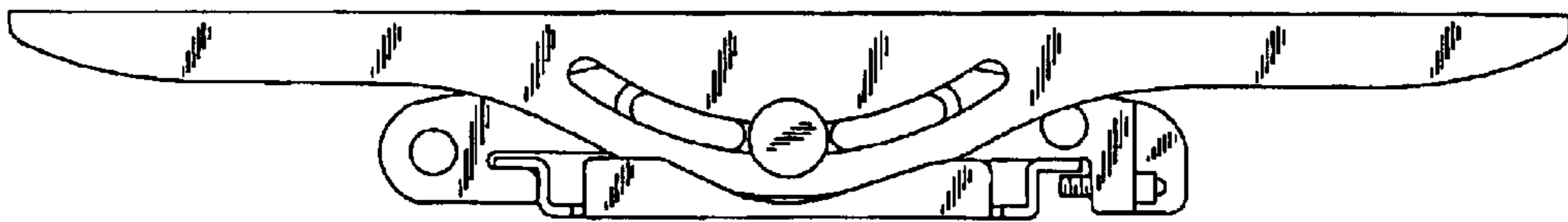


FIG. 2

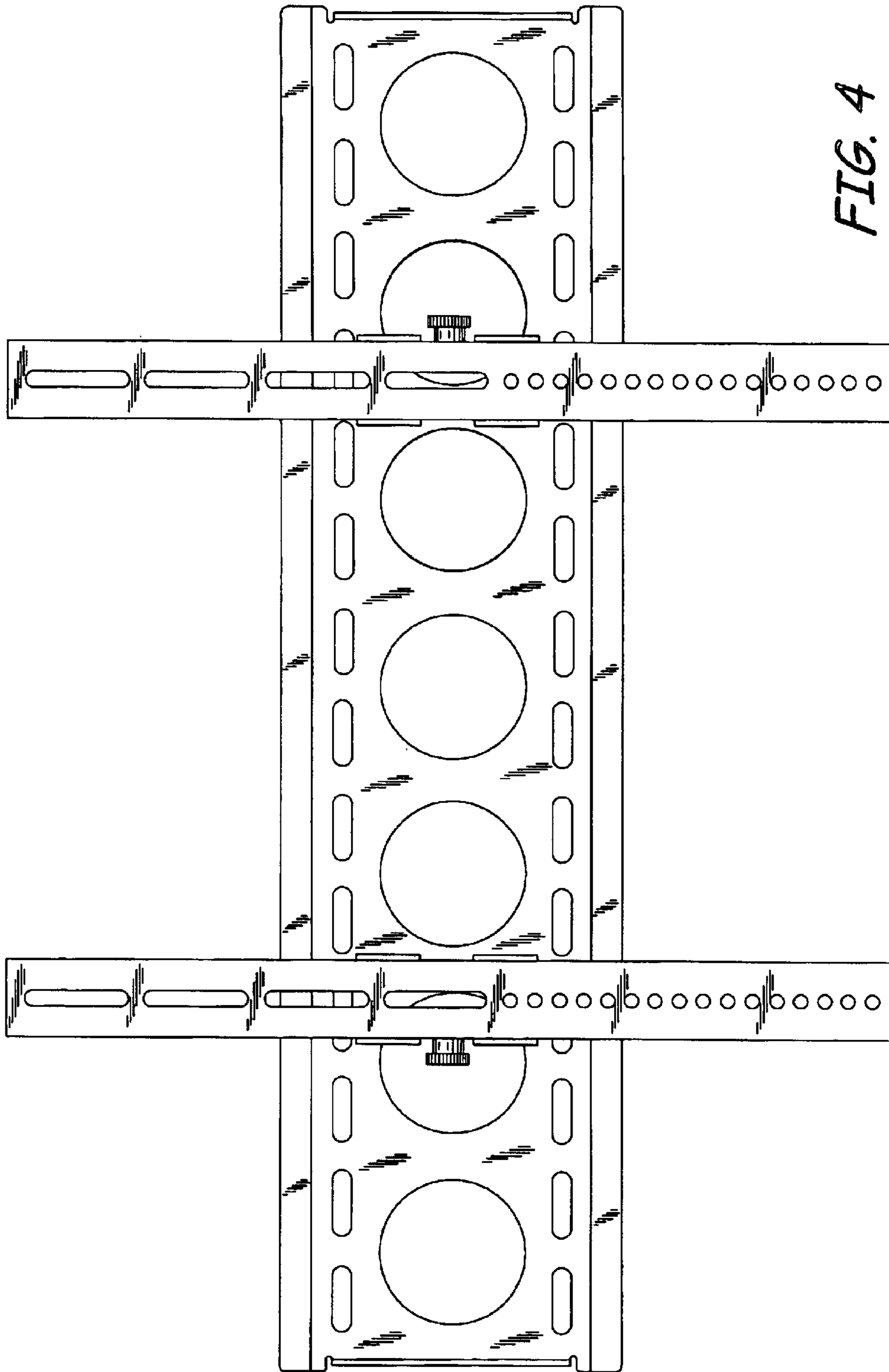


FIG. 4

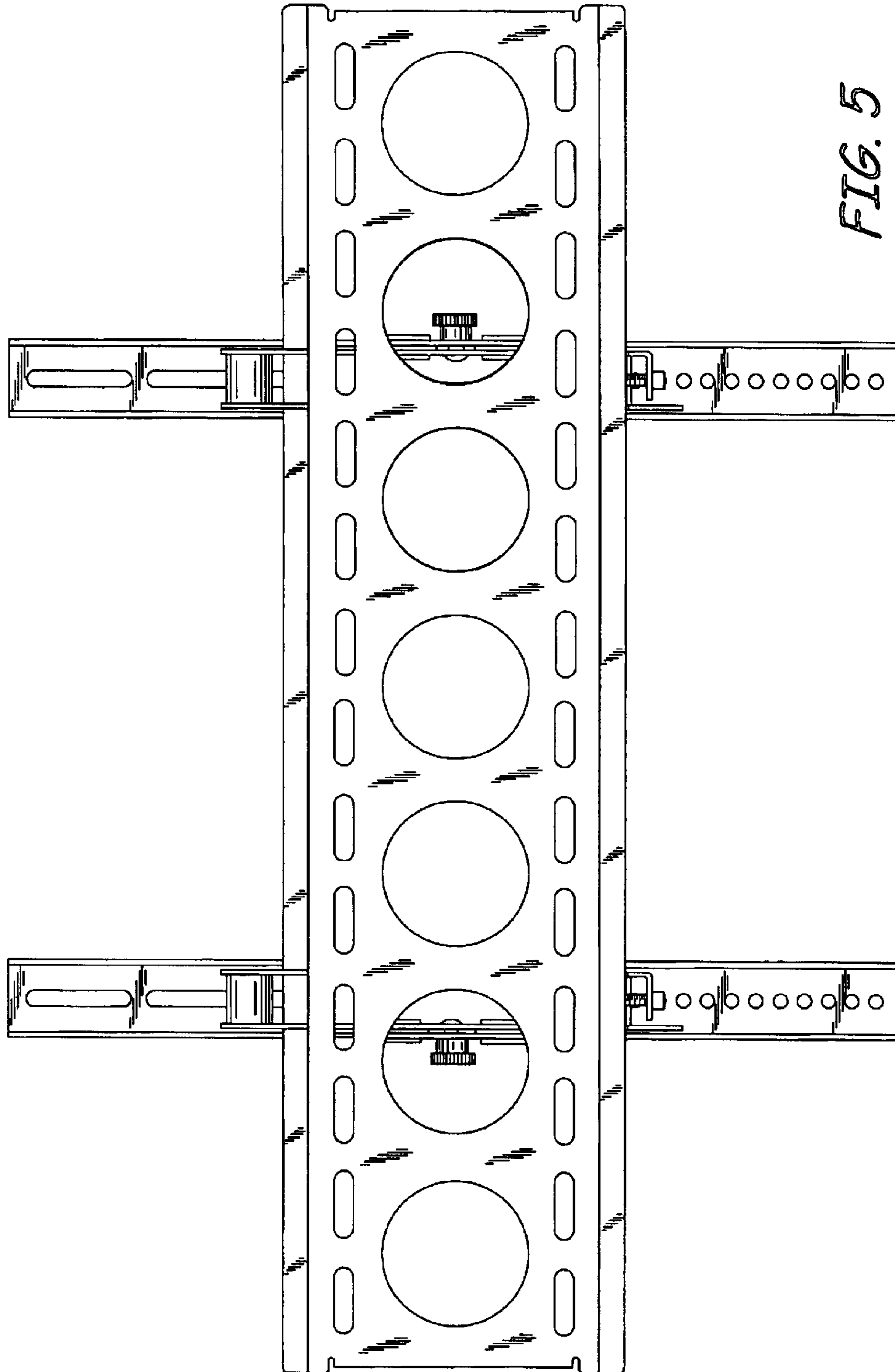


FIG. 5



FIG. 6

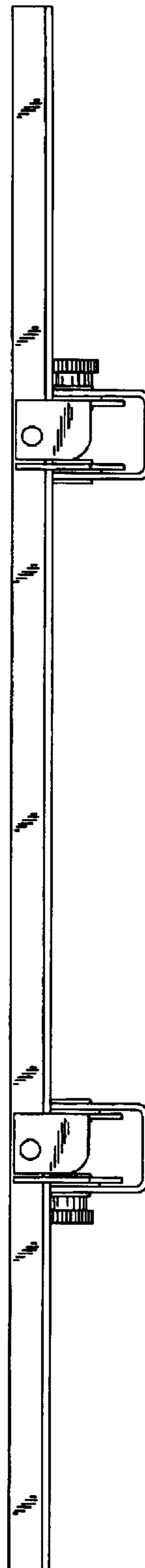


FIG. 7