



US00D493798S1

(12) **United States Design Patent**  
**Yu et al.**

(10) **Patent No.:** **US D493,798 S**

(45) **Date of Patent:** **\*\* Aug. 3, 2004**

(54) **MEMORY CARD**

(75) **Inventors:** **Gordon Yu**, Hsin Chu (TW); **Forli Wen**, Hsin Chu (TW); **Tony Chang**, Hsin Chu (TW)

(73) **Assignee:** **C-One Technology Corporation**, Hsin Chu (TW)

(\*\*) **Term:** **14 Years**

(21) **Appl. No.:** **29/193,428**

(22) **Filed:** **Nov. 12, 2003**

(30) **Foreign Application Priority Data**

Oct. 13, 2003 (TW) ..... 92306209

(51) **LOC (7) Cl.** ..... **14-02**

(52) **U.S. Cl.** ..... **D14/436**

(58) **Field of Search** ..... D14/435-438,  
D14/478-480; 361/736, 737, 752, 686;  
257/678, 679; 40/124.1; 282/75, 76, 901;  
235/487-495, 441-443, 325

(56) **References Cited**

**U.S. PATENT DOCUMENTS**

D475,056 S 5/2003 Taniguchi et al. .... D14/436  
D475,711 S 6/2003 Taniguchi et al. .... D14/436

D475,713 S 6/2003 Taniguchi et al. .... D14/436  
D475,714 S 6/2003 Taniguchi et al. .... D14/436  
D476,011 S 6/2003 Taniguchi et al. .... D14/436  
D476,012 S 6/2003 Taniguchi et al. .... D14/436  
D479,845 S 9/2003 Taniguchi et al. .... D14/436

*Primary Examiner*—Kay H. Chin

(74) *Attorney, Agent, or Firm*—Birch, Stewart, Kolasch & Birch, LLP

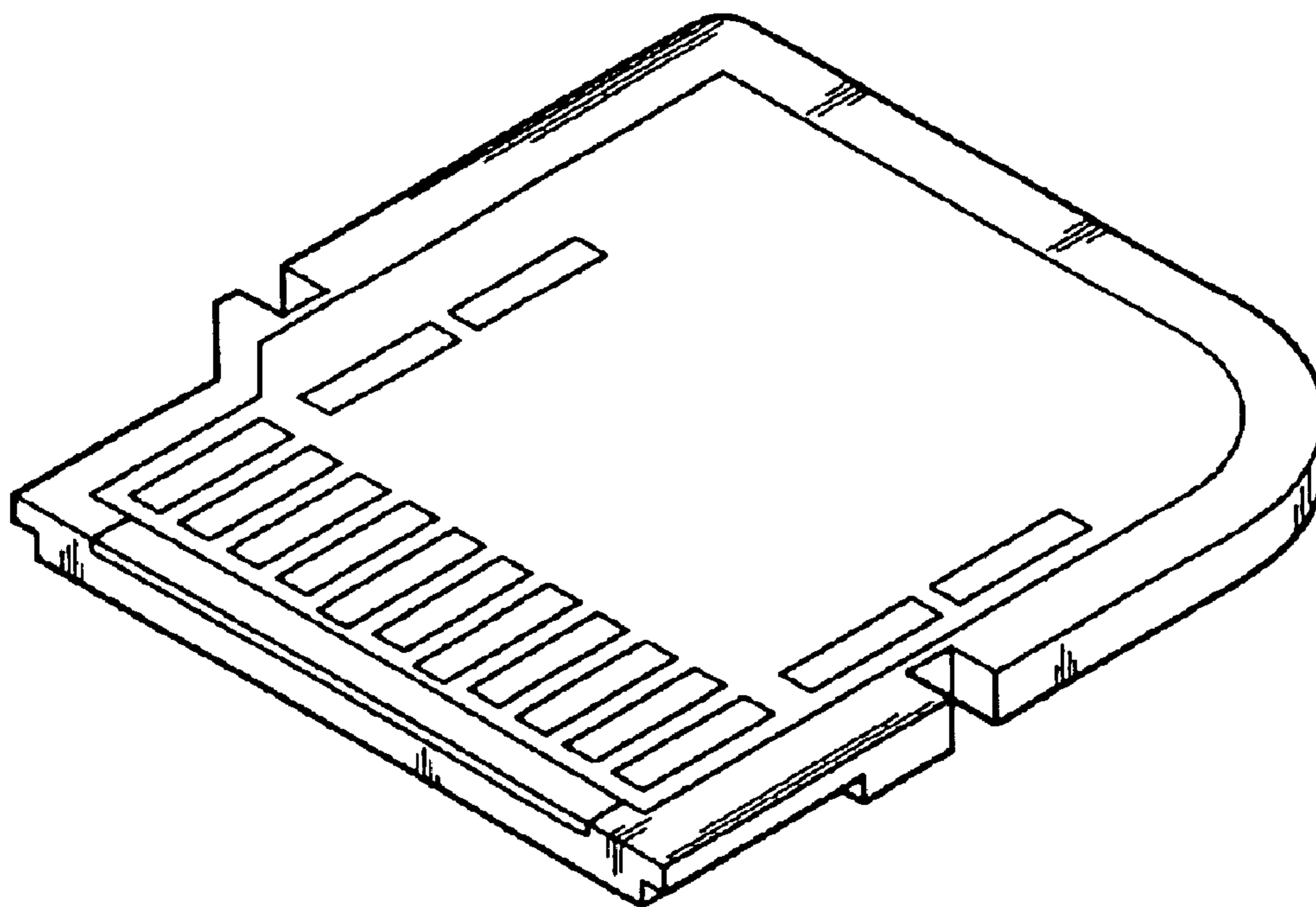
(57) **CLAIM**

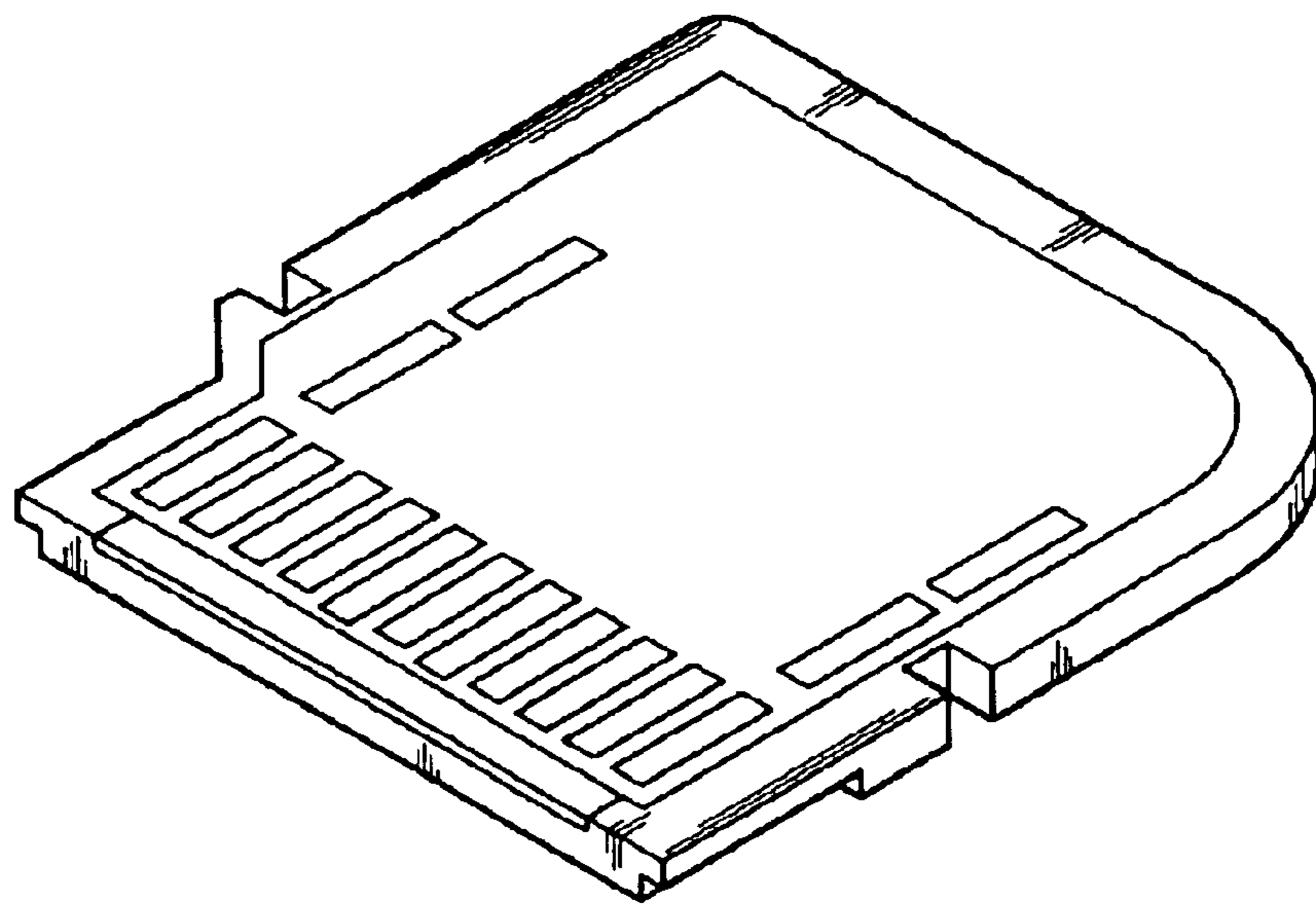
The ornamental design for memory card, as shown and described.

**DESCRIPTION**

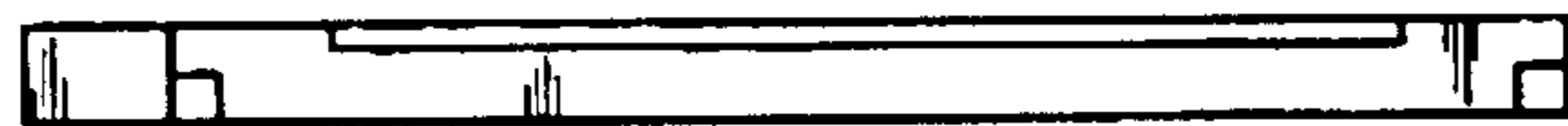
FIG. 1 is a top perspective view of a memory card showing our new design;  
FIG. 2 is a front elevational view thereof;  
FIG. 3 is a rear elevational view thereof;  
FIG. 4 is a left side elevational view thereof;  
FIG. 5 is right side elevational view thereof;  
FIG. 6 is a top view thereof;  
FIG. 7 is a bottom view thereof;  
FIG. 8 is a top perspective view of a second embodiment of the memory card; and,  
FIG. 9 is a top perspective view of a third embodiment of the memory card.

**1 Claim, 9 Drawing Sheets**





**FIG. 1**



**FIG. 2**



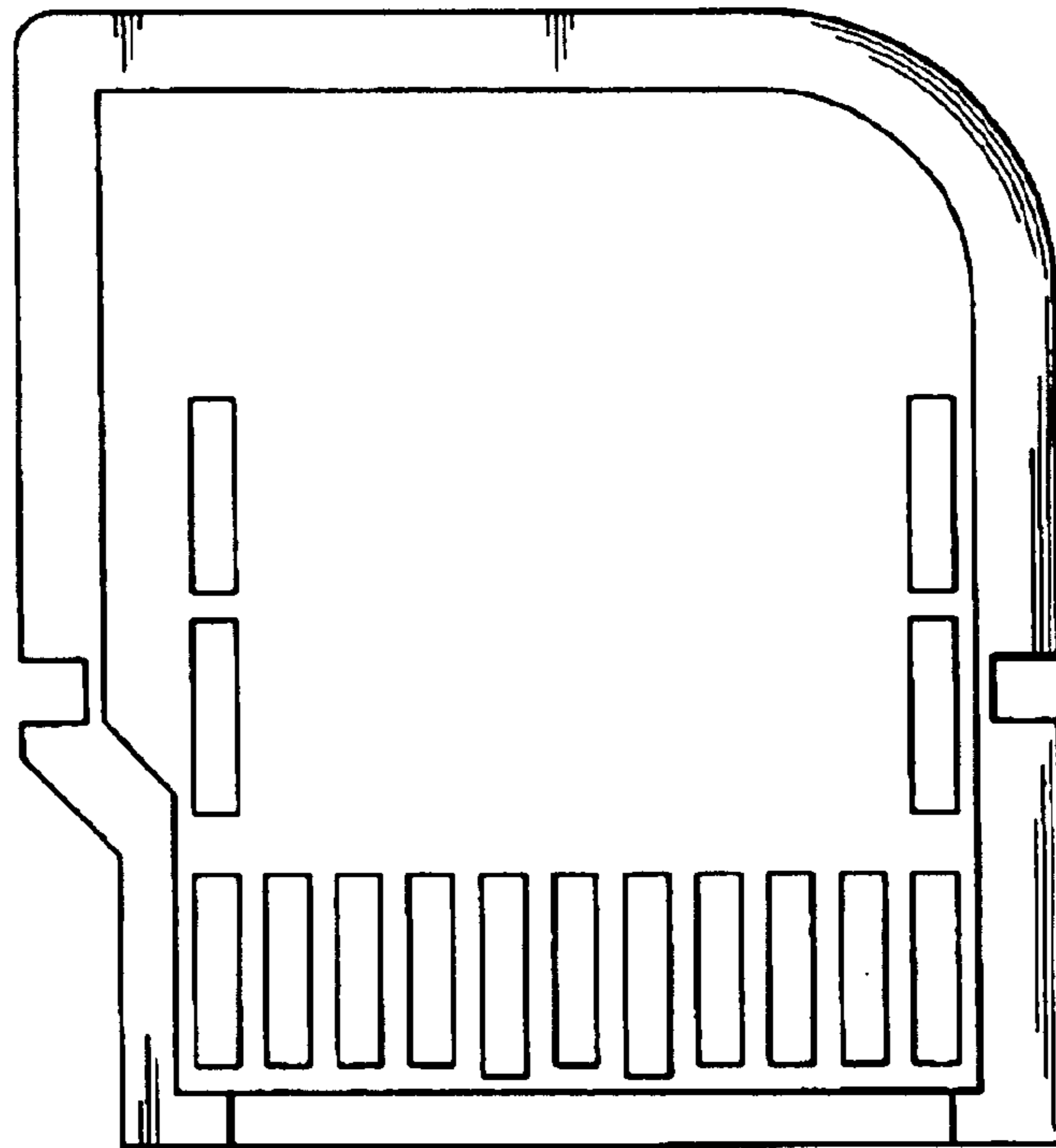
**FIG. 3**



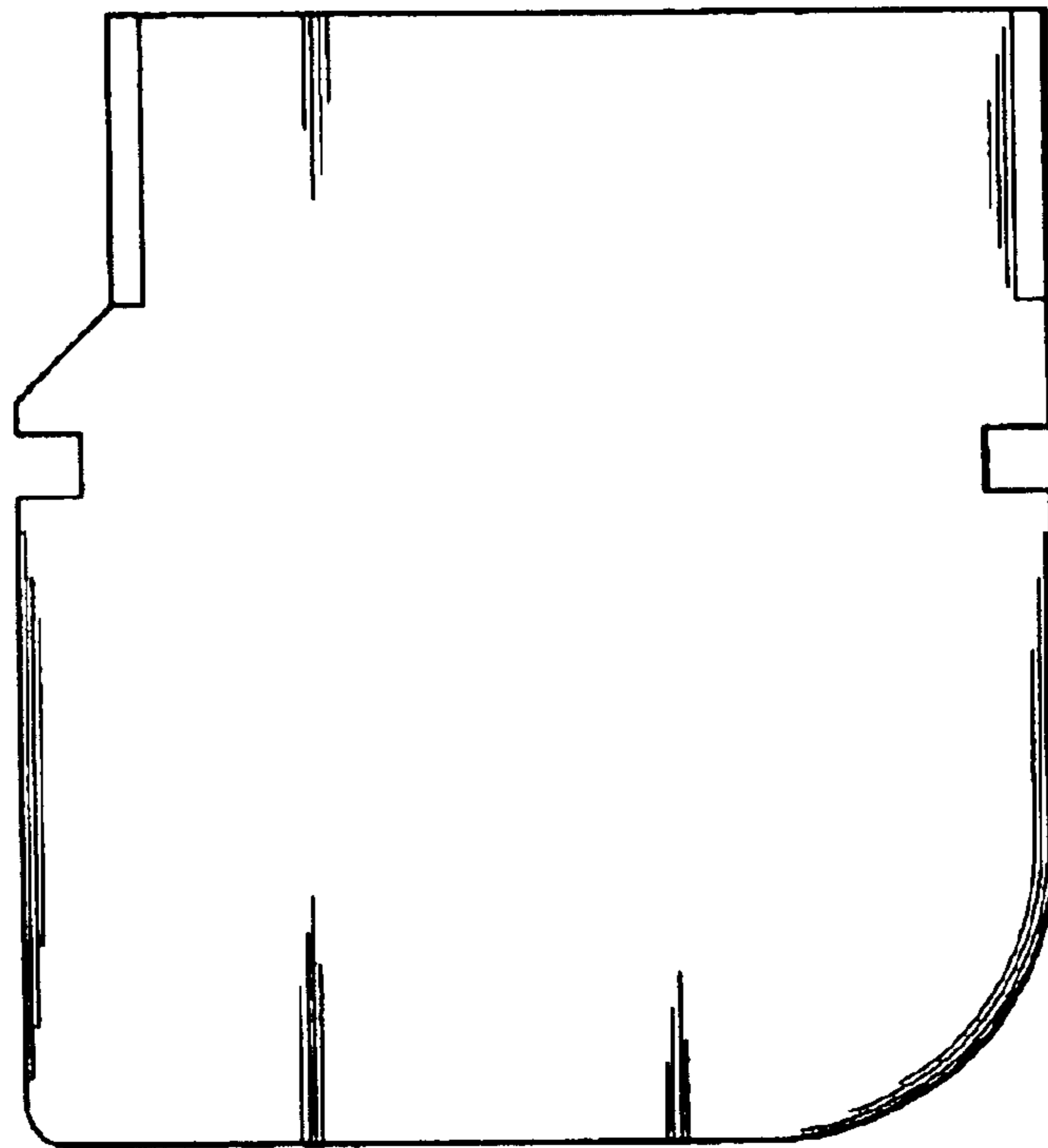
**FIG. 4**



**FIG. 5**

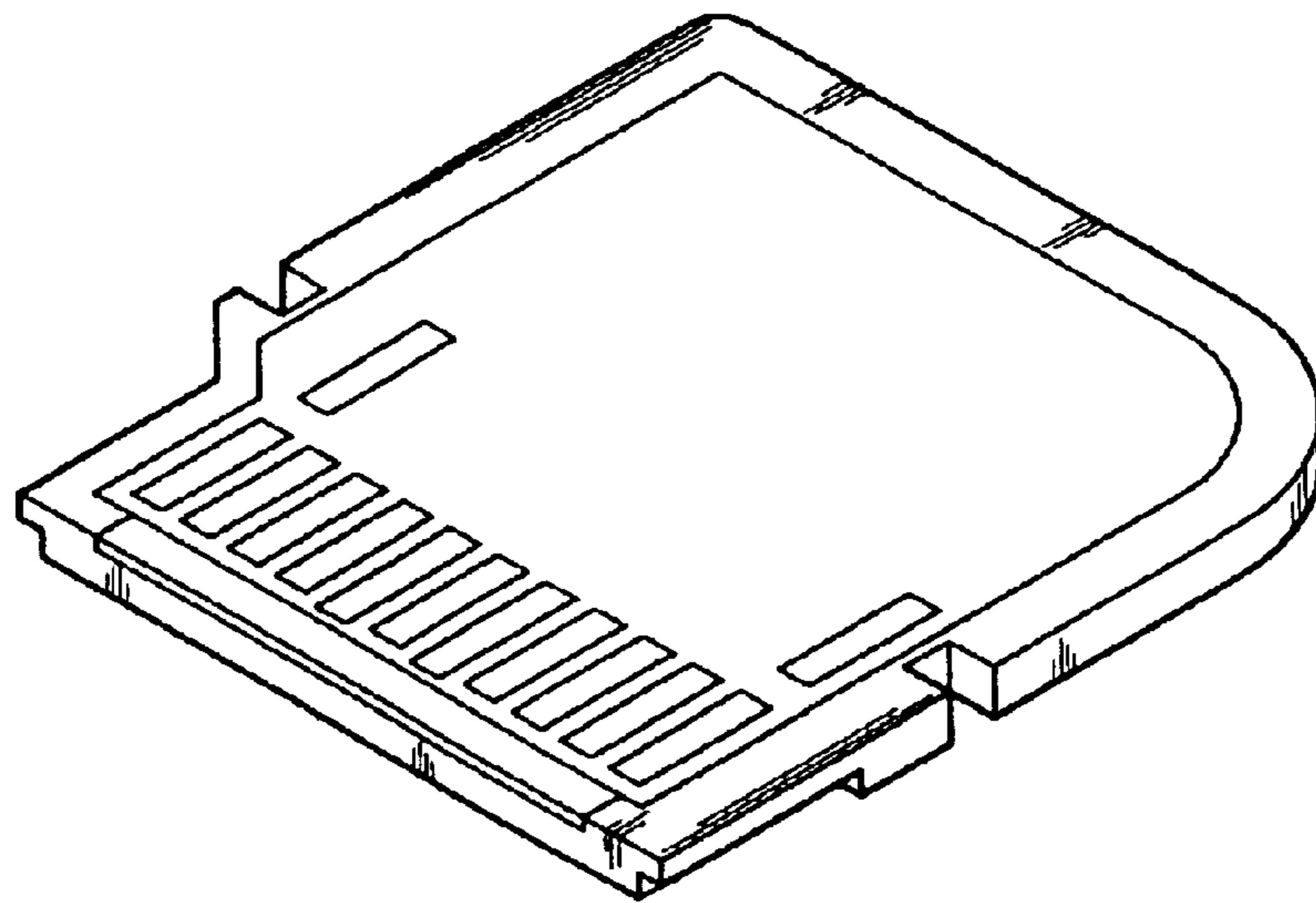


**FIG. 6**

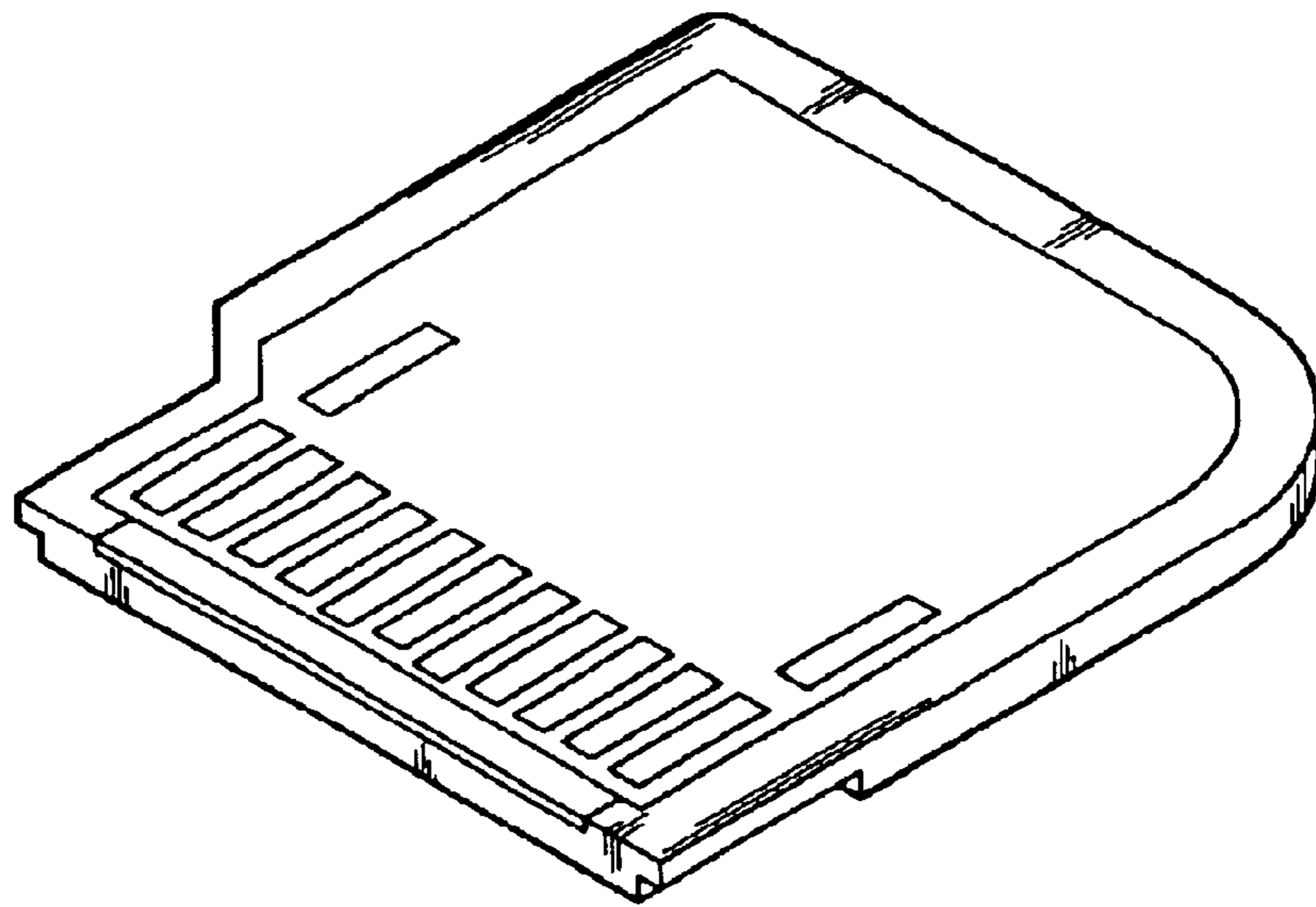


**FIG. 7**





**FIG. 8**



**FIG. 9**