

US00D493795S1

(12) **United States Design Patent**
Araki

(10) **Patent No.:** **US D493,795 S**

(45) **Date of Patent:** **** Aug. 3, 2004**

- (54) **OPTICAL CHARACTER READER**
- (75) **Inventor:** **Satoshi Araki, Suginami-ku (JP)**
- (73) **Assignee:** **Kabushiki Kaisha Toshiba (JP)**
- (**) **Term:** **14 Years**

- 4,970,554 A * 11/1990 Rourke 399/84
- 5,398,289 A * 3/1995 Rourke et al. 382/100
- 5,416,308 A * 5/1995 Hood et al. 235/454
- 5,500,717 A * 3/1996 Altrieth, III 399/83
- 5,513,013 A * 4/1996 Kuo 358/448
- 6,311,846 B1 * 11/2001 Hayduchok et al. 209/3.3
- 6,671,060 B1 * 12/2003 Fresk et al. 358/1.15

- (21) **Appl. No.:** **29/178,040**
- (22) **Filed:** **Mar. 21, 2003**
- (30) **Foreign Application Priority Data**

Sep. 24, 2002 (JP) 2002-026025

- (51) **LOC (7) Cl.** **14-02**
- (52) **U.S. Cl.** **D14/421**
- (58) **Field of Search** D14/421, 422;
382/317, 321; 358/474-498, 505-514

(56) **References Cited**

U.S. PATENT DOCUMENTS

- D195,127 S * 4/1963 Inatomi et al. D14/421
- D214,626 S * 7/1969 Kneale et al. D14/421
- D227,113 S * 6/1973 Burroughs et al. D14/421
- 4,157,783 A * 6/1979 Muster et al. 235/379
- 4,620,234 A * 10/1986 Watanabe 358/497
- 4,965,678 A * 10/1990 Yamada 358/452

* cited by examiner

Primary Examiner—Joel Sincavage

(74) *Attorney, Agent, or Firm*—Banner & Witcoff, Ltd.

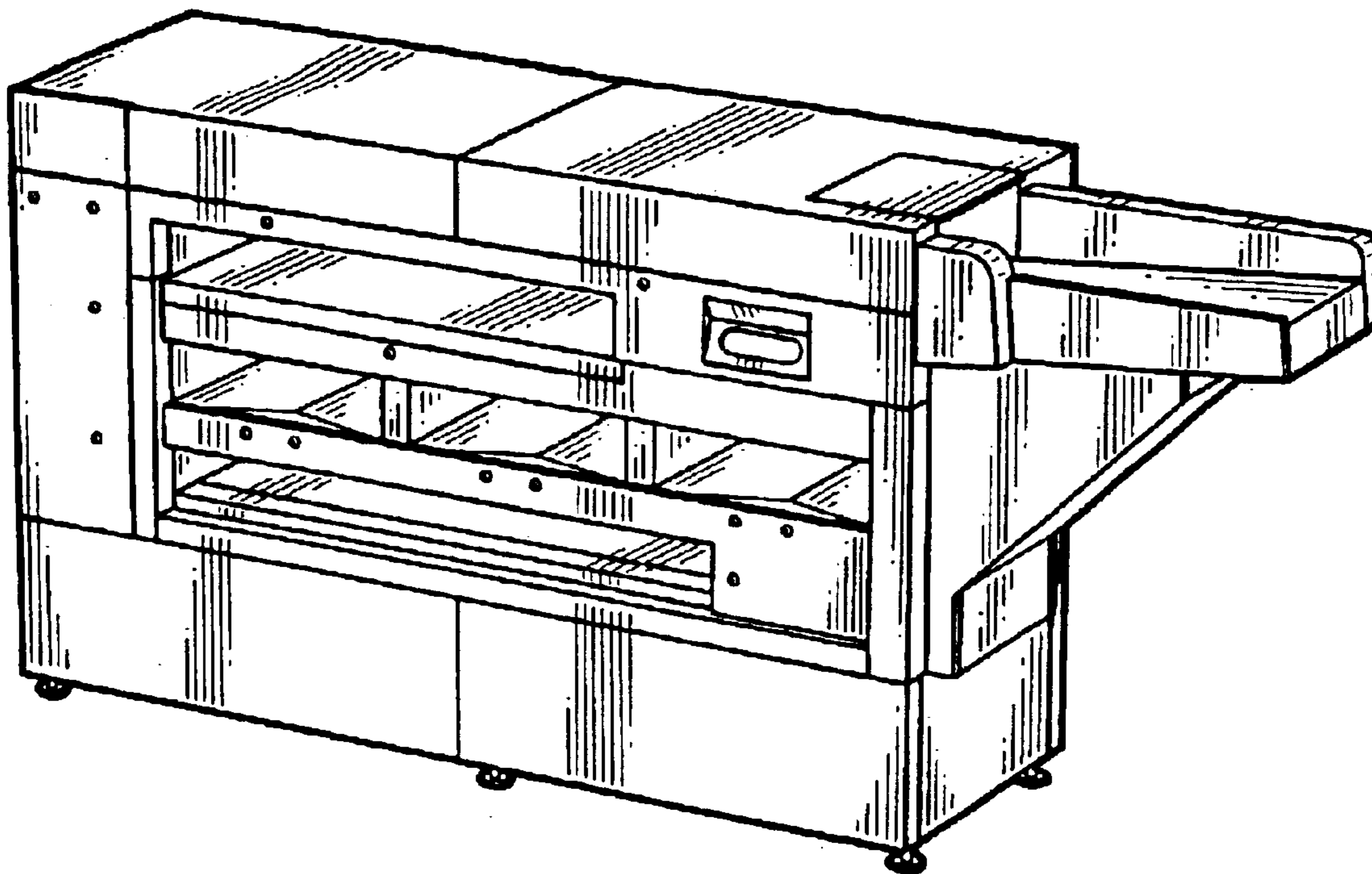
(57) **CLAIM**

The ornamental design for an optical character reader, as shown and described.

DESCRIPTION

FIG. 1 is a front, top and right side perspective view of an optical character reader, showing my new design;
 FIG. 2 is a top plan view thereof;
 FIG. 3 is a front elevational view thereof;
 FIG. 4 is a rear elevational view thereof;
 FIG. 5 is a bottom plan view thereof;
 FIG. 6 is a left side elevational view thereof; and,
 FIG. 7 is a right side elevational view thereof.

1 Claim, 2 Drawing Sheets



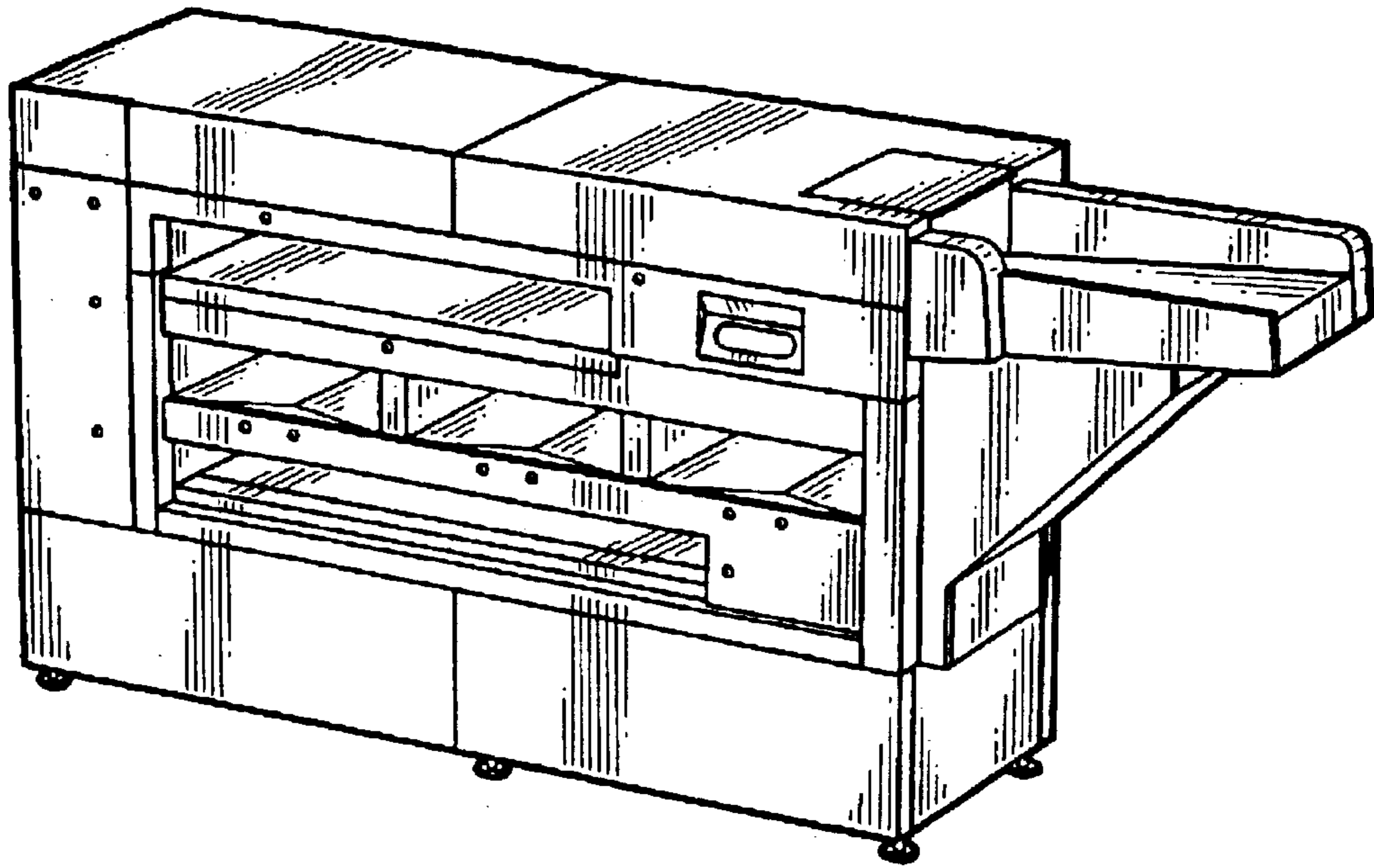


Fig.1

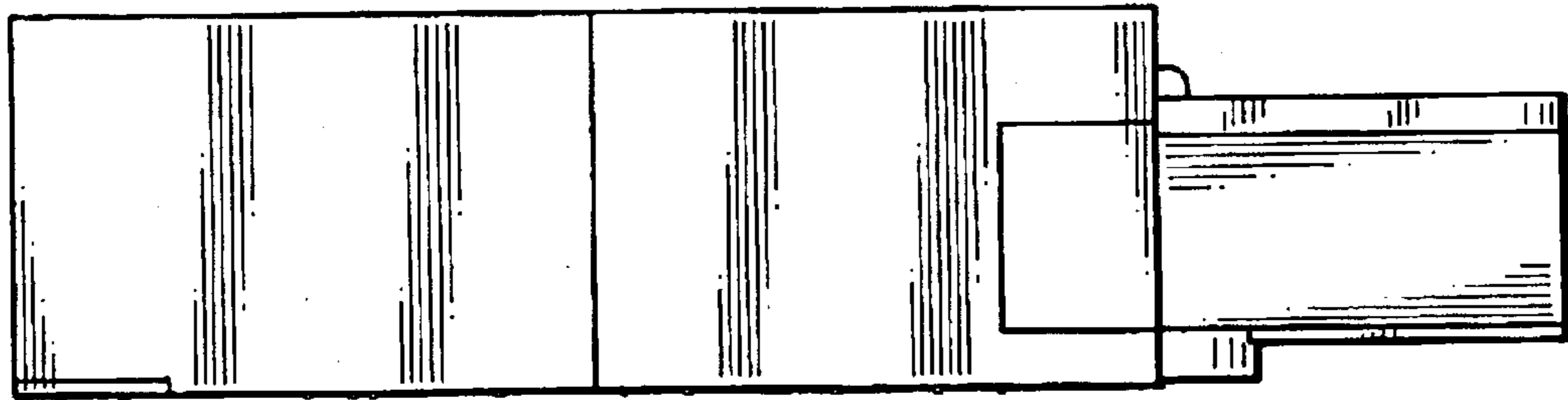


Fig.2

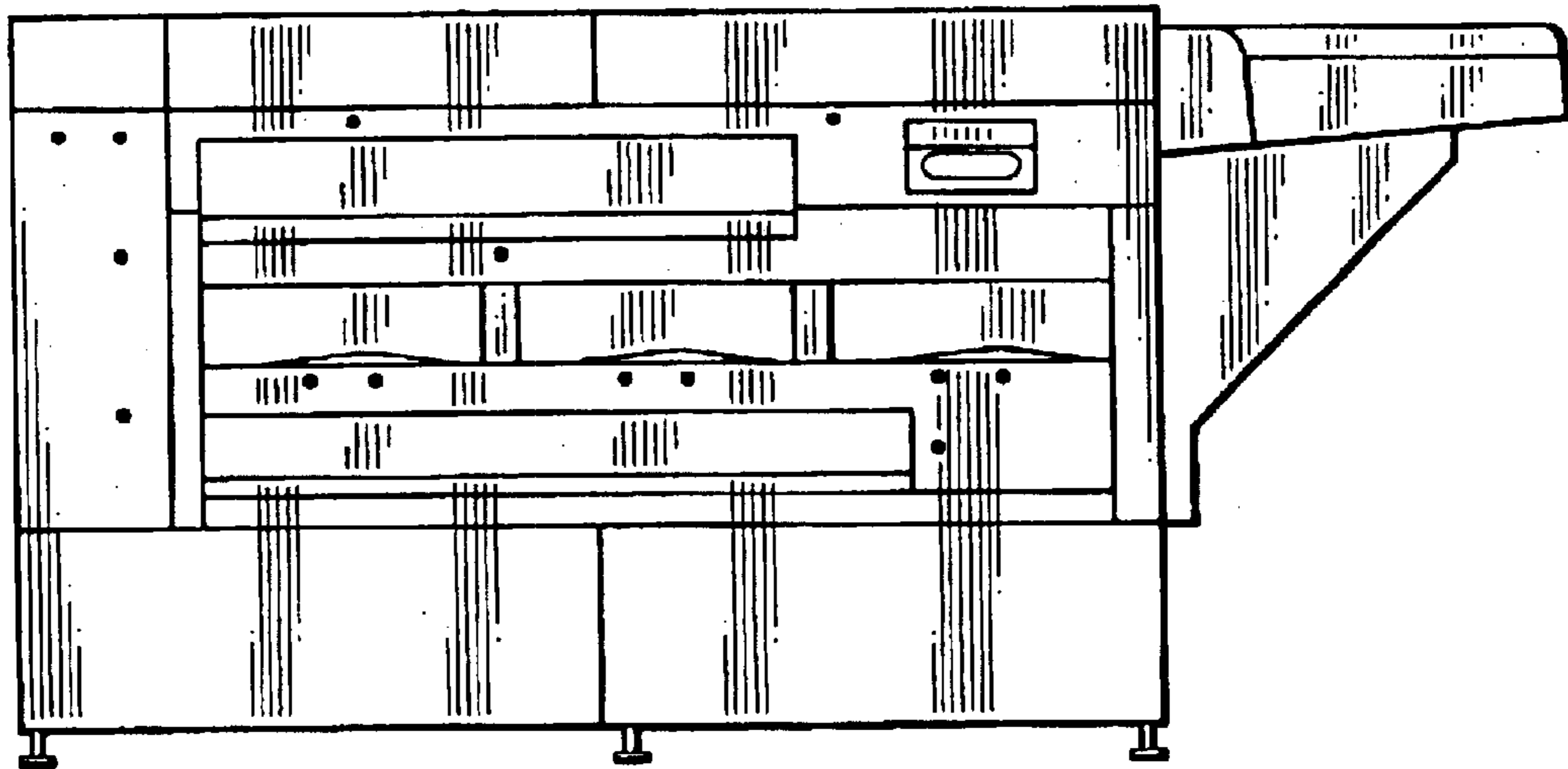


Fig.3

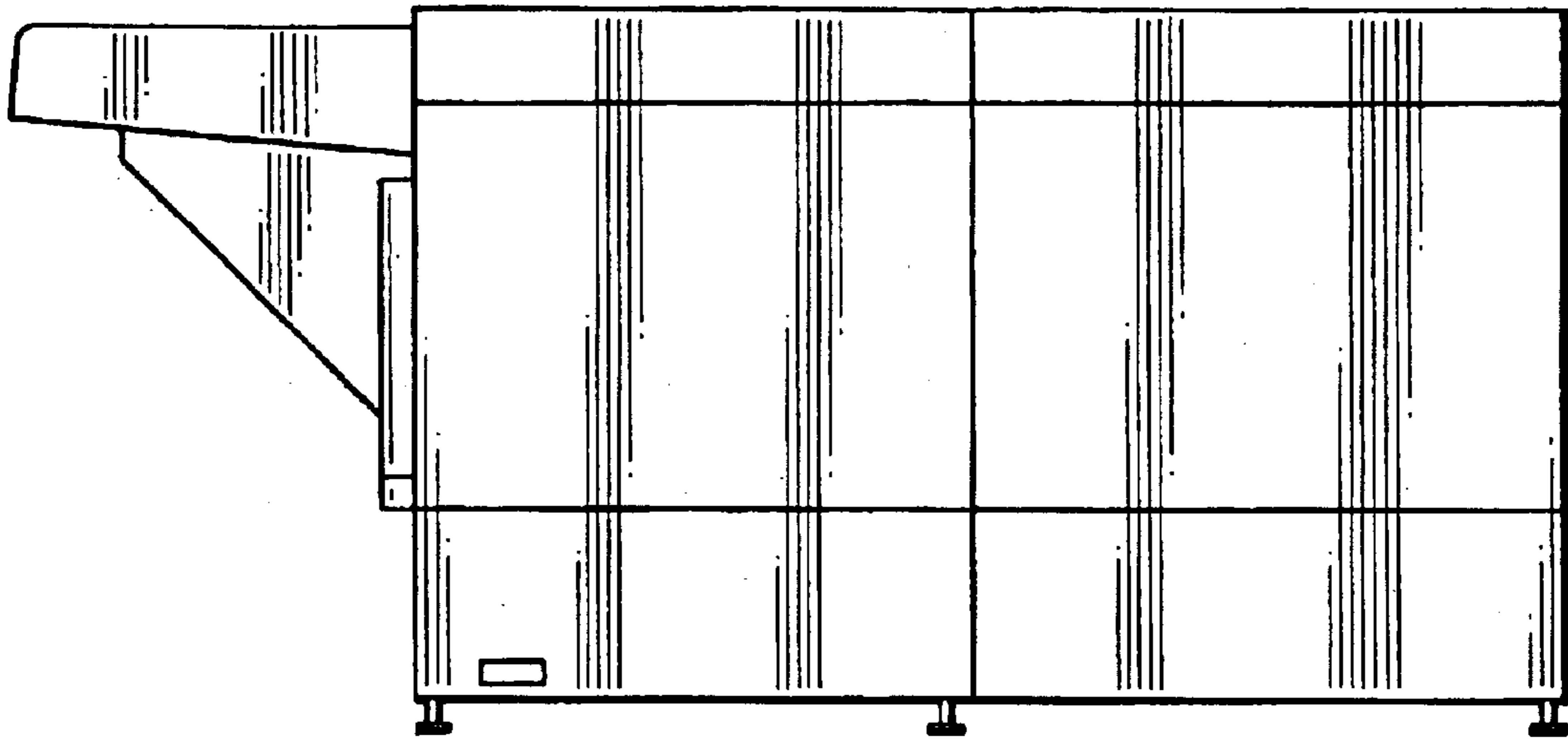


Fig.4

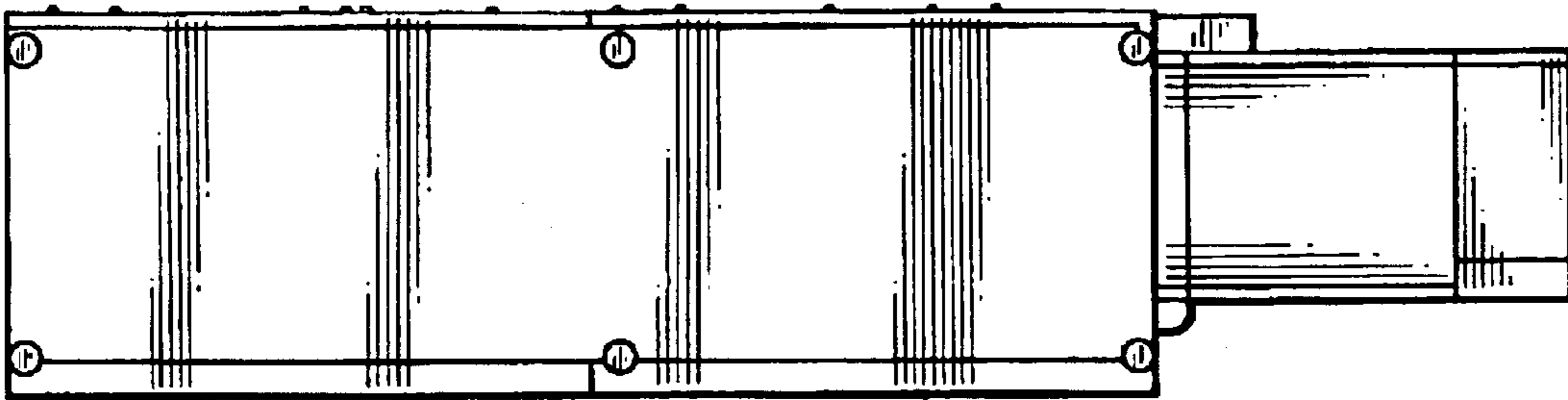


Fig.5

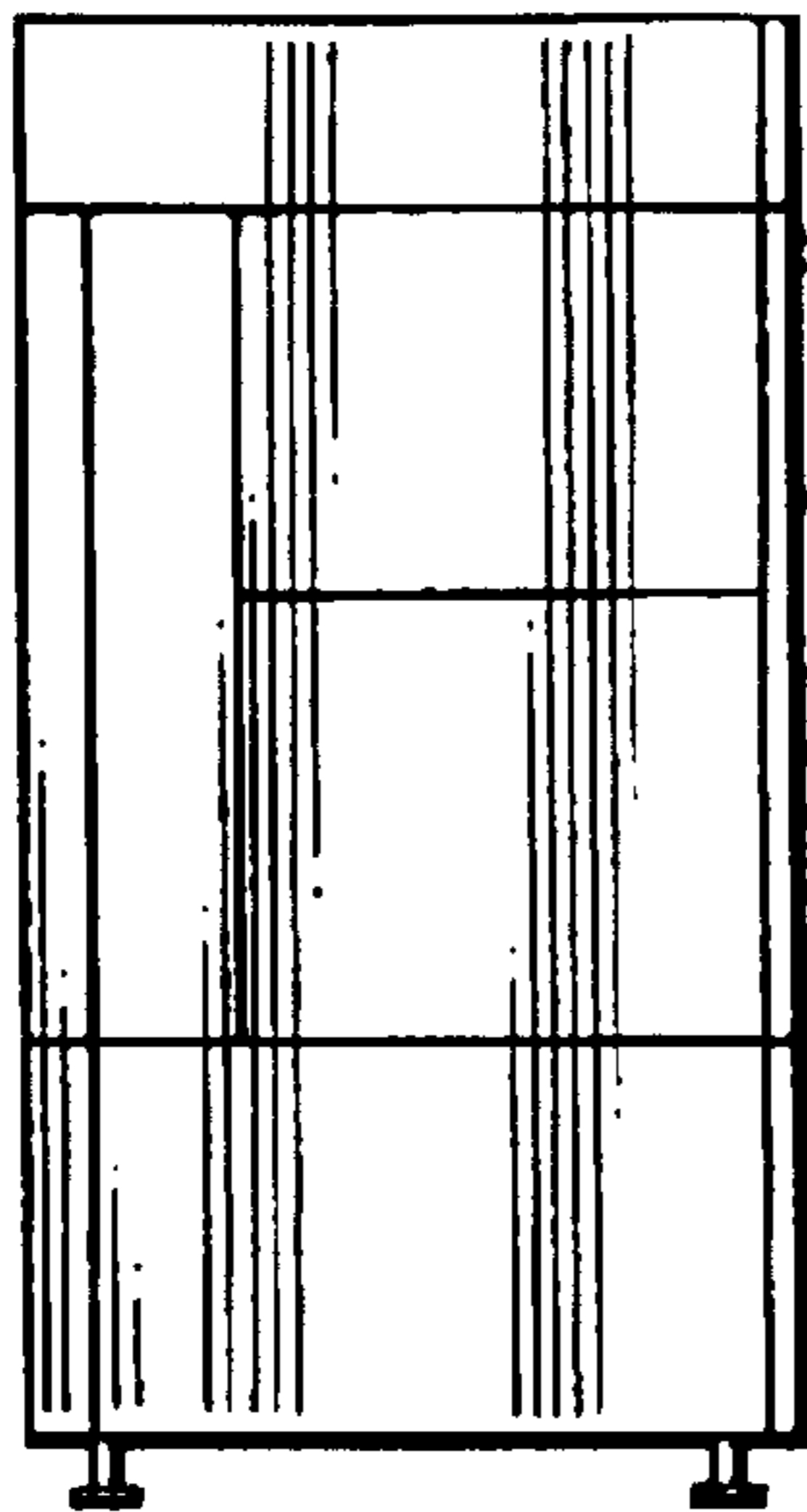


Fig.6

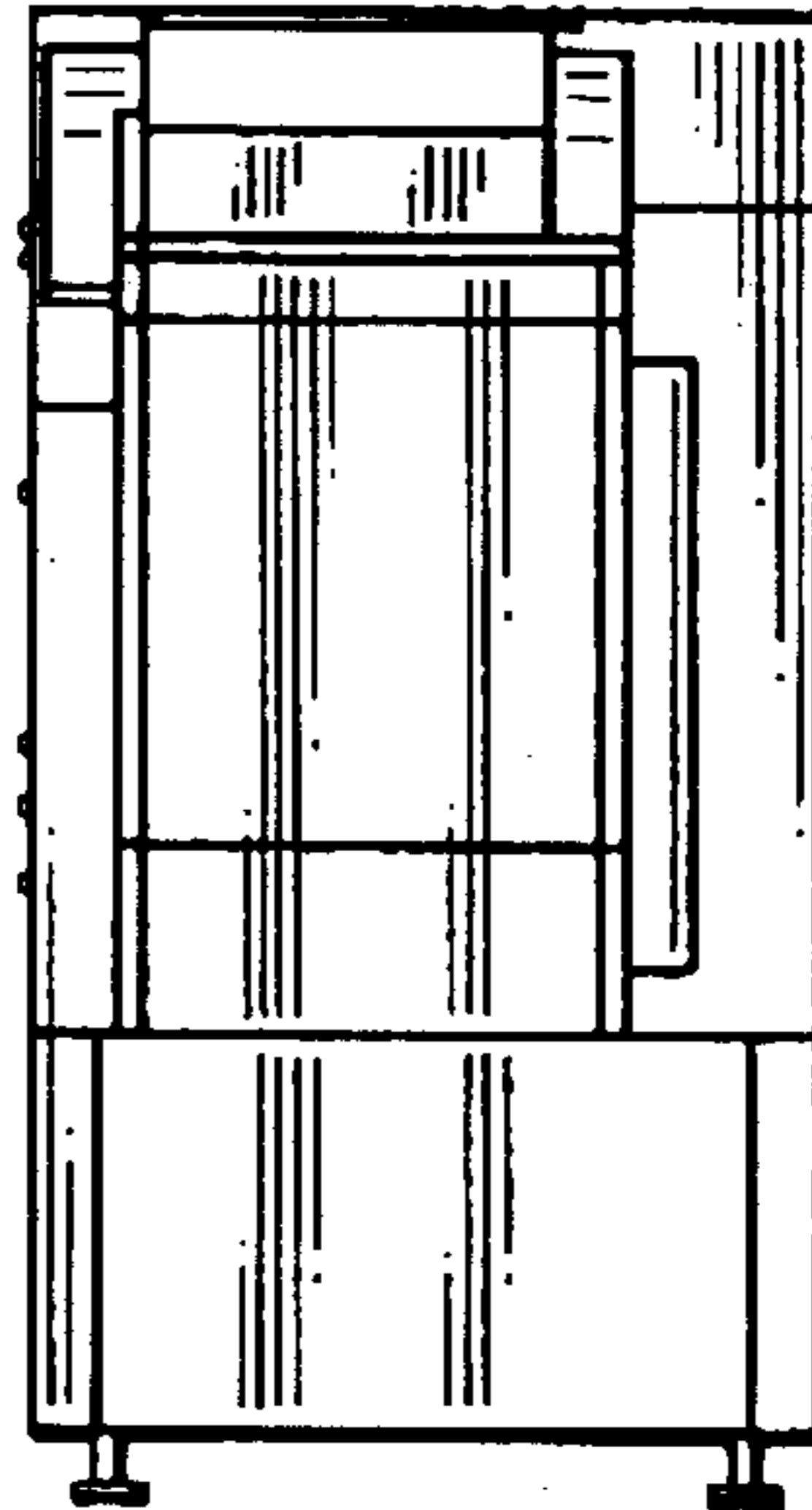


Fig.7