

US00D493794S1

(12) **United States Design Patent**
Berentzen et al.

(10) **Patent No.:** **US D493,794 S**

(45) **Date of Patent:** **** Aug. 3, 2004**

(54) **PRICE CHECKER**

(75) Inventors: **Tine Berentzen**, Bellport, NY (US);
Alistair Hamilton, Stony Brook, NY
(US); **Jorg Schlieffers**,
Streatley-on-Thames (GB)

(73) Assignee: **Symbol Technologies, Inc.**, Holtsville,
NY (US)

(**) Term: **14 Years**

(21) Appl. No.: **29/190,463**

(22) Filed: **Sep. 22, 2003**

(51) **LOC (7) Cl.** **14-02**

(52) **U.S. Cl.** **D14/420; D18/12.3**

(58) **Field of Search** D14/420, 425,
D14/426, 453; D18/12.3; 235/462.01, 462.43,
462.45, 462.46, 462.47, 472.01, 472.02,
472.03, 454; 358/473, 474

(56) **References Cited**

U.S. PATENT DOCUMENTS

D316,707 S	*	5/1991	Allgeier	D14/420
5,192,857 A	*	3/1993	Detwiler	235/462.39
D348,260 S	*	6/1994	Allgeier	D14/430
D359,483 S	*	6/1995	Saunders et al.	D14/420
D378,587 S	*	3/1997	Kanno et al.	D14/420

D381,976 S	*	8/1997	Sandor et al.	D14/420
6,053,410 A	*	4/2000	Wike et al.	235/462.43
D424,042 S	*	5/2000	Massieu et al.	D14/420
D425,875 S	*	5/2000	Wilson	D14/307
D454,879 S	*	3/2002	Lin et al.	D14/420
6,536,658 B1	*	3/2003	Rantze	235/375
6,676,016 B1	*	1/2004	Coskrey, IV	235/380
D486,827 S	*	2/2004	Detallante	D14/420

* cited by examiner

Primary Examiner—Joel Sincavage

(74) *Attorney, Agent, or Firm*—Amin & Turocy, LLP

(57) **CLAIM**

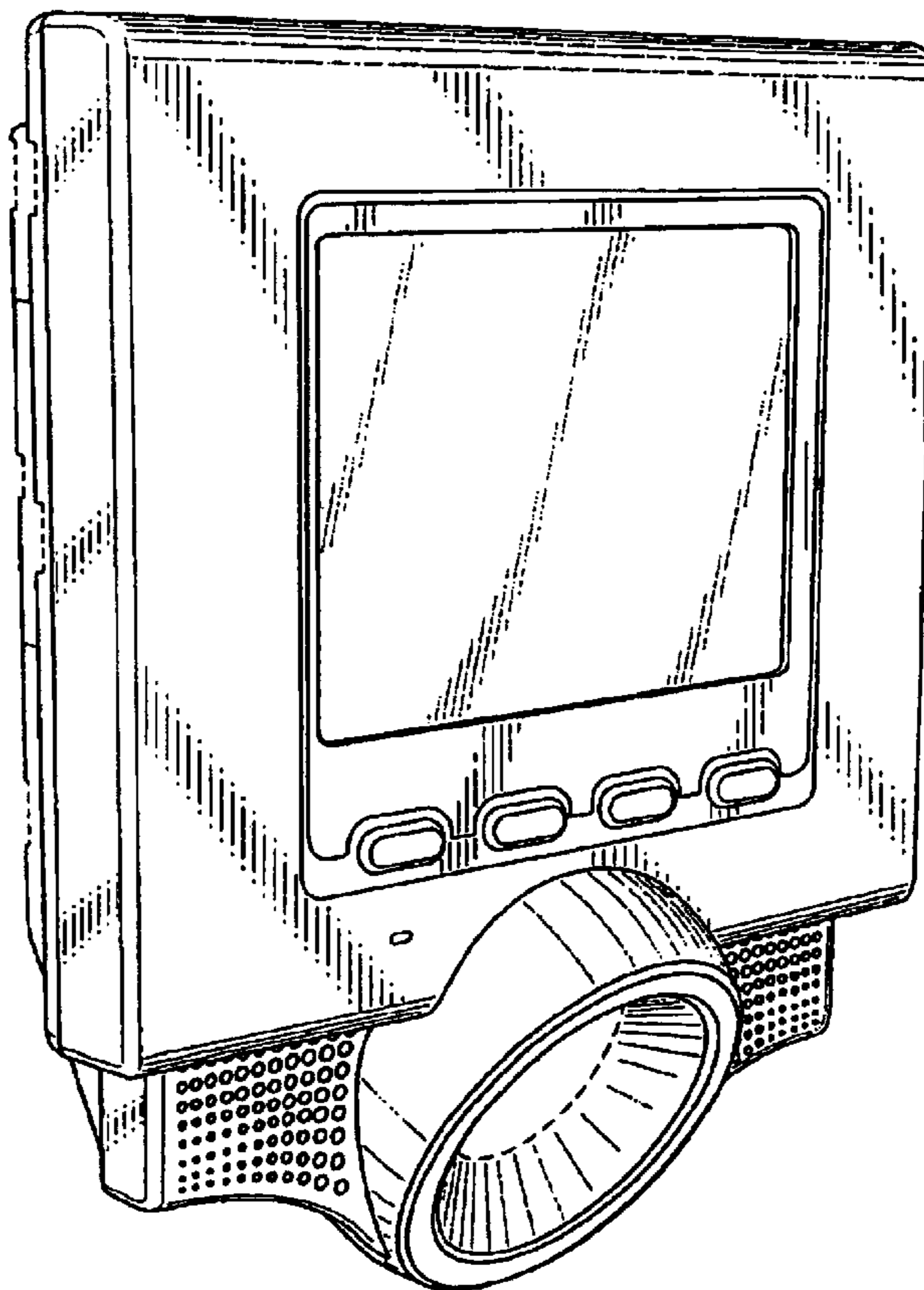
The ornamental design for a price checker, as shown and described.

DESCRIPTION

FIG. 1 is perspective view of the front and left side of a price checker showing my new design; FIG. 2 is a front view thereof; FIG. 3 is a back view thereof; FIG. 4 is a left side view thereof; FIG. 5 is a right side view thereof; FIG. 6 is a top view thereof; and, FIG. 7 is a bottom view thereof.

The broken lines shown in FIGS. 1-7 are for illustrative purposes only and form no part of the claimed design.

1 Claim, 5 Drawing Sheets



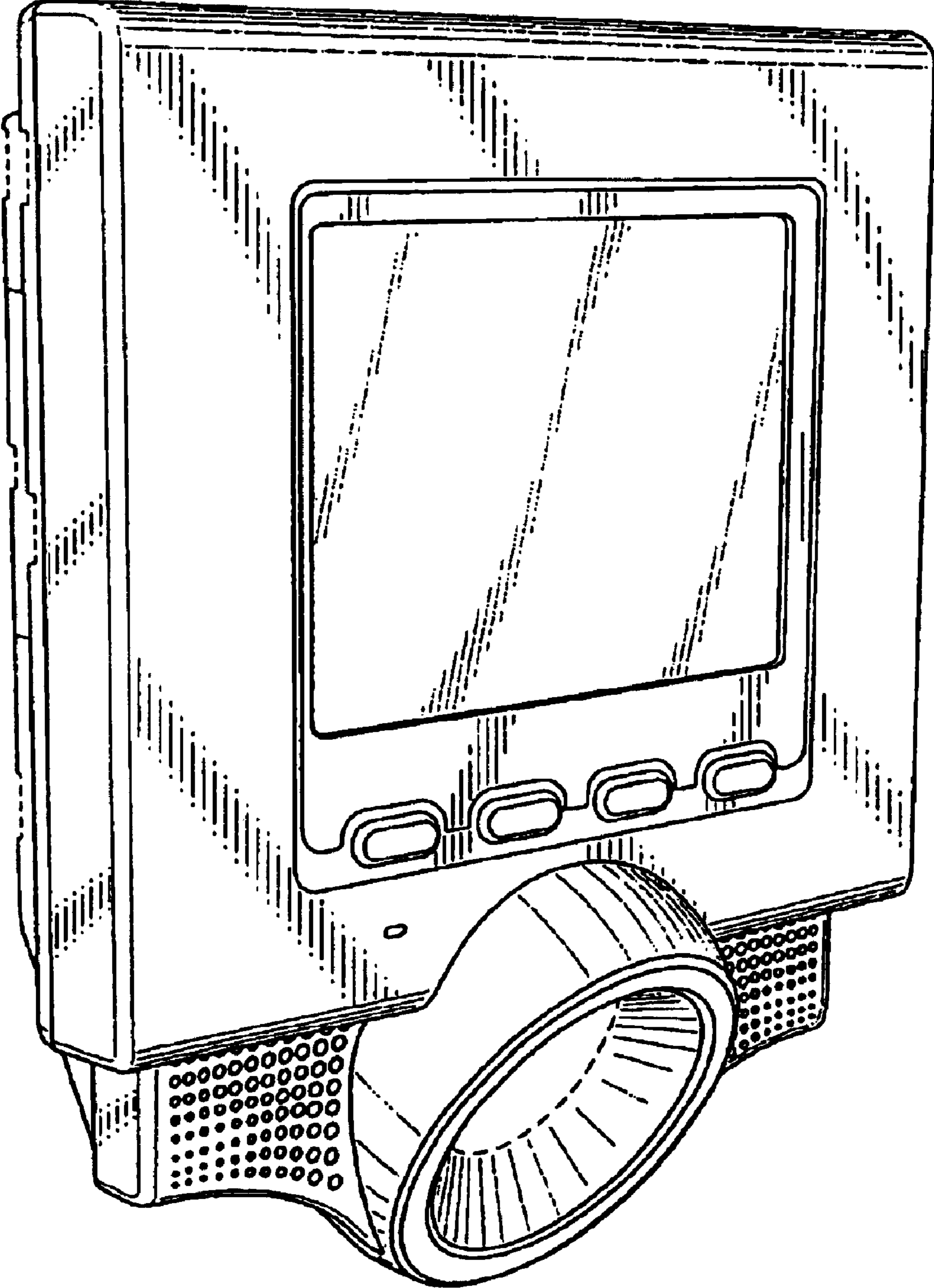


FIG. 1

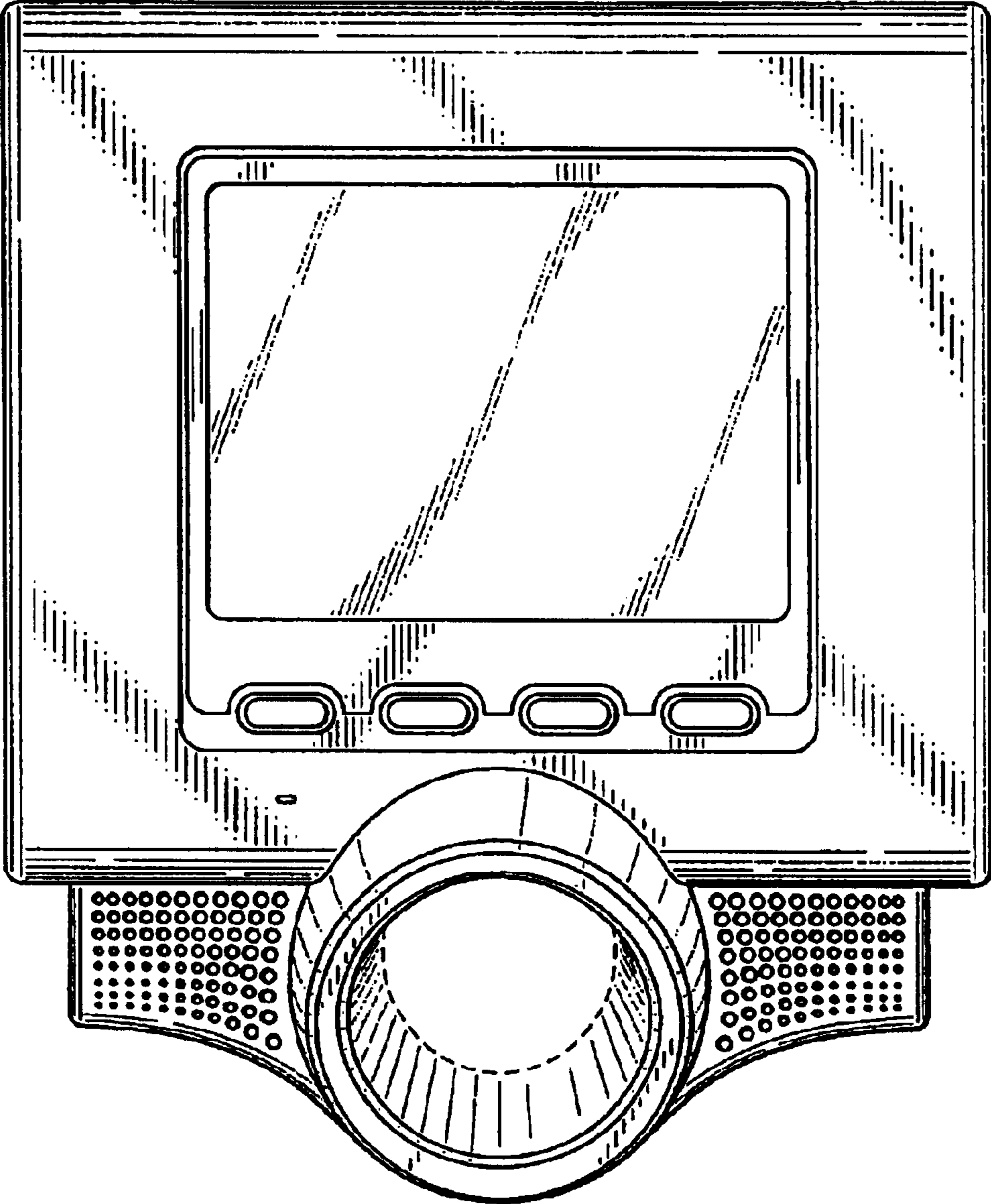


FIG. 2

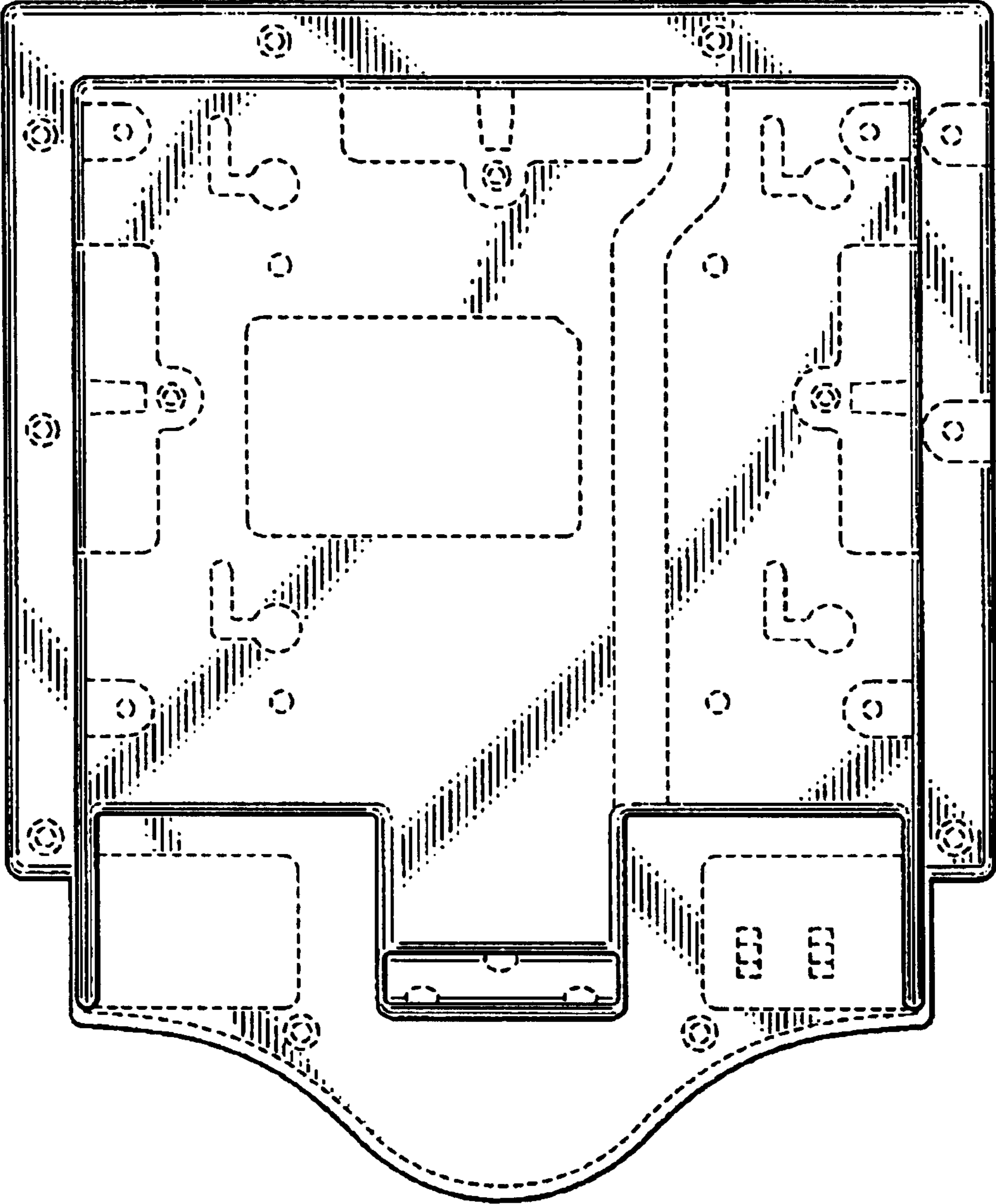


FIG. 3

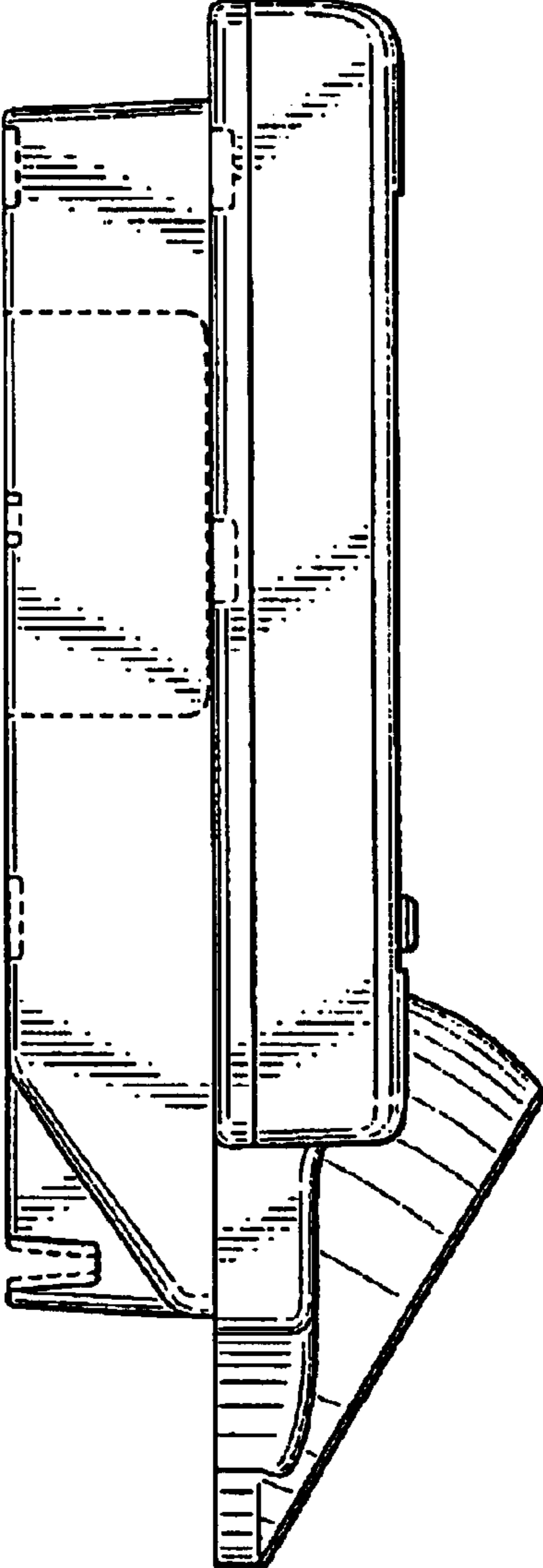


FIG. 4

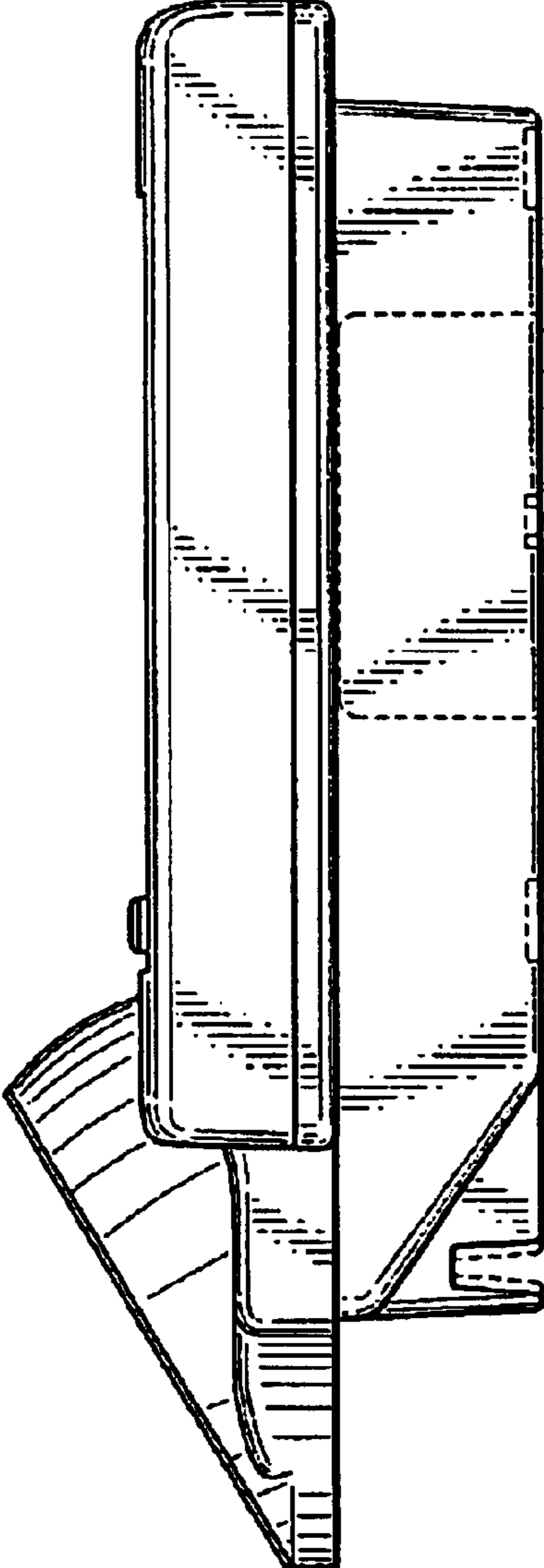


FIG. 5

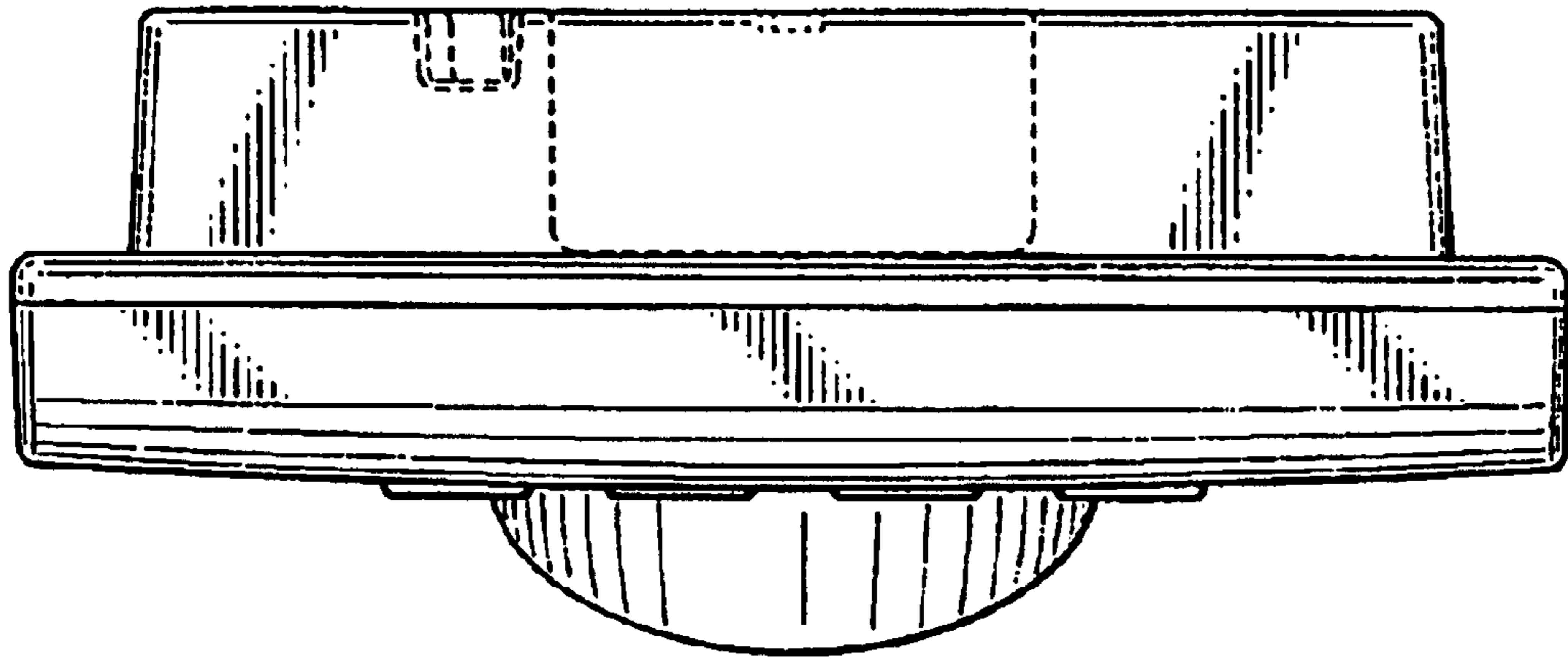


FIG. 6

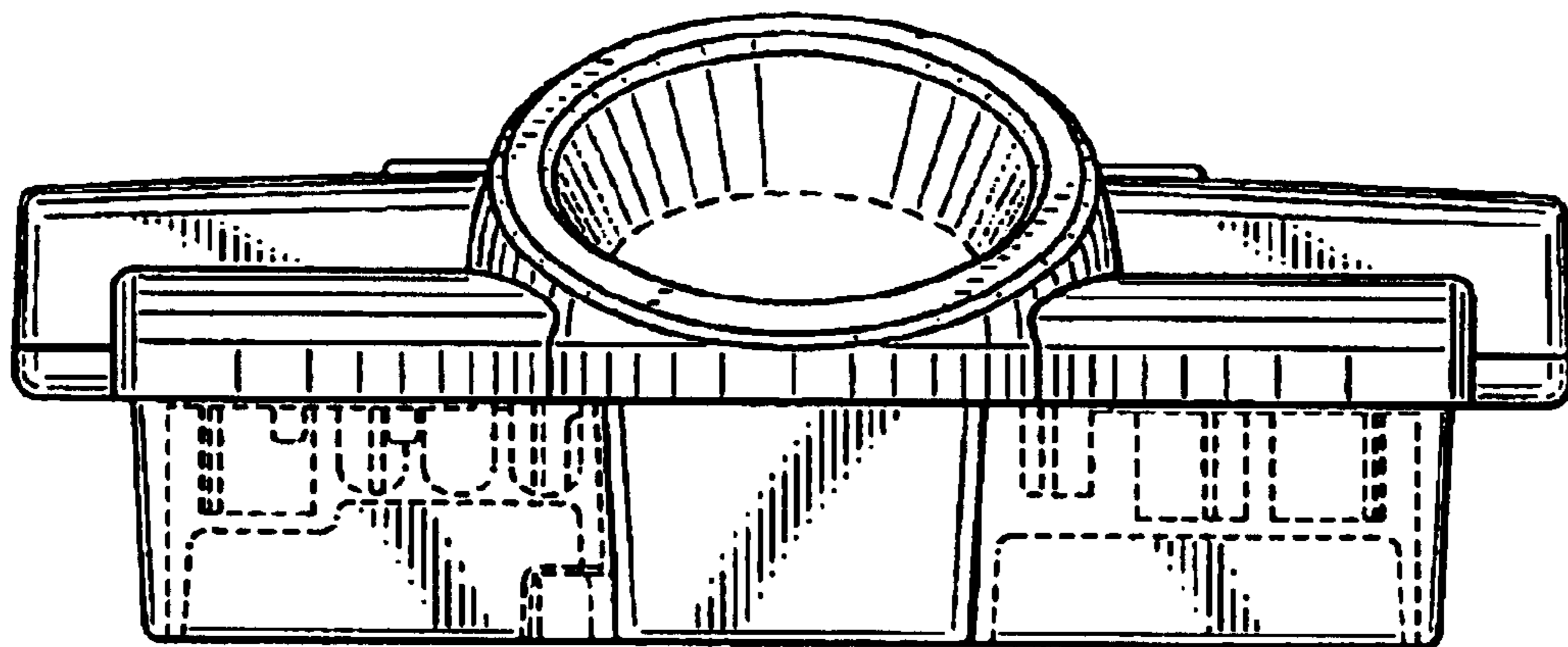


FIG. 7