

US00D493791S1

(12) **United States Design Patent** (10) **Patent No.:** **US D493,791 S**
Liu (45) **Date of Patent:** **** Aug. 3, 2004**

(54) **DATA ACCESS DEVICE**

(75) Inventor: **Chen Yuan Liu**, Taipei (TW)

(73) Assignee: **Behavior Tech Computer Corp.**,
Taipei (TW)

(**) Term: **14 Years**

(21) Appl. No.: **29/196,337**

(22) Filed: **Dec. 26, 2003**

(30) **Foreign Application Priority Data**

Oct. 28, 2003 (TW) 92306486

(51) **LOC (7) Cl.** **14-02**

(52) **U.S. Cl.** **D14/368**

(58) **Field of Search** D14/136, 156,
D14/348, 363, 365, 367, 368; 361/685

(56) **References Cited**

U.S. PATENT DOCUMENTS

D308,361 S * 6/1990 Nakamura et al. D14/368

D360,197 S * 7/1995 Ikenaga D14/368

D377,481 S * 1/1997 Miyamoto et al. D14/368

D468,278 S * 1/2003 Kabasawa D14/136

2003/0007429 A1 * 1/2003 Cheng 369/30.26

* cited by examiner

Primary Examiner—Joel Sincavage

(74) *Attorney, Agent, or Firm*—Han-Yi Lee; Bayshore
Patent Group, LLC.

(57) **CLAIM**

The ornamental design for a data access device, as shown
and described.

DESCRIPTION

FIG. 1 is a perspective view of a data access device showing
my new design;

FIG. 2 is a right side view thereof;

FIG. 3 is a top plan view thereof;

FIG. 4 is a front view thereof;

FIG. 5 is a bottom plan view thereof;

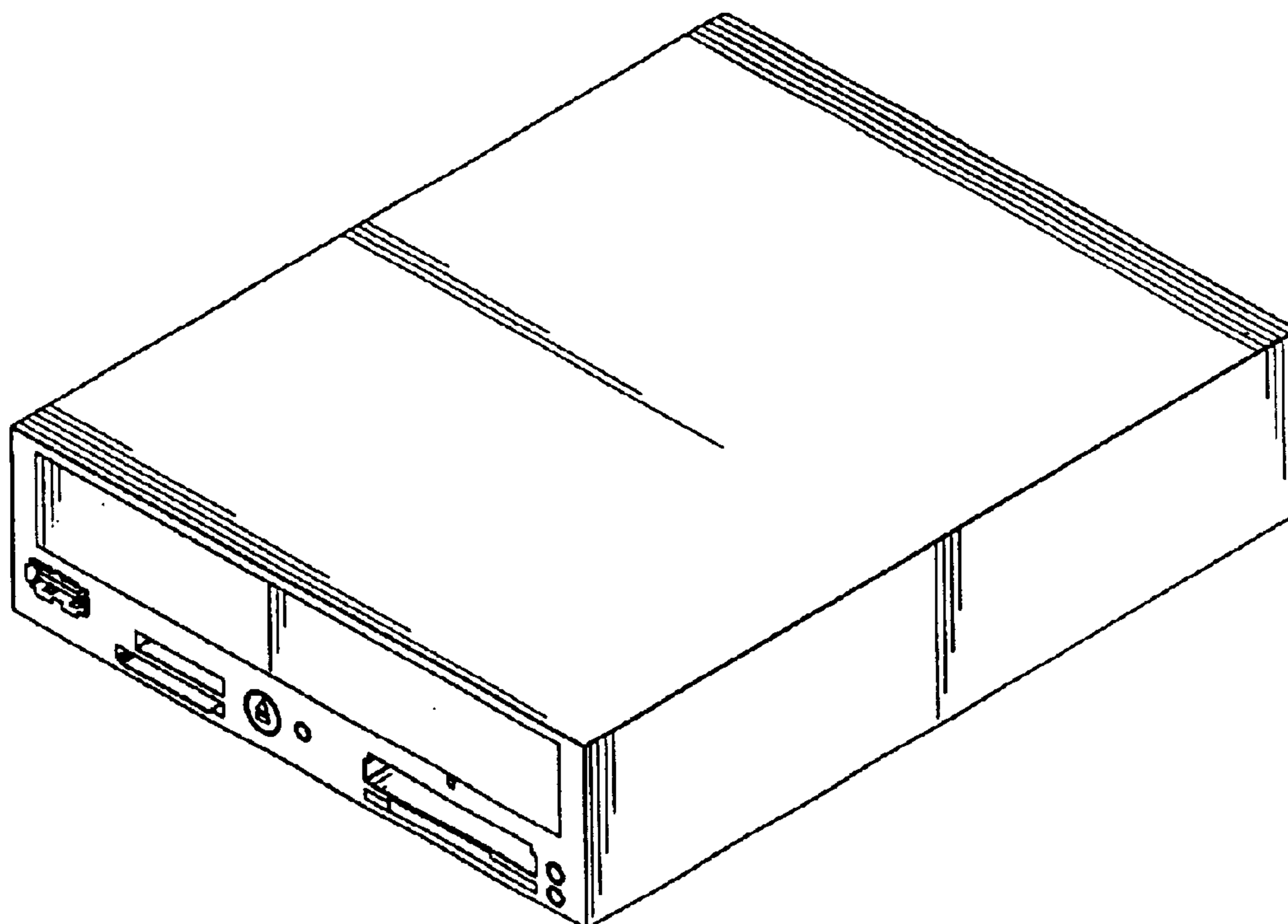
FIG. 6 is a left side view thereof;

FIG. 7 is a rear view thereof; and,

FIG. 8 is a perspective view showing the data access device
in an operating condition.

The broken lines in FIG. 8 are included for the purpose of
illustrating environmental structure only and form no part of
the claimed design.

1 Claim, 8 Drawing Sheets



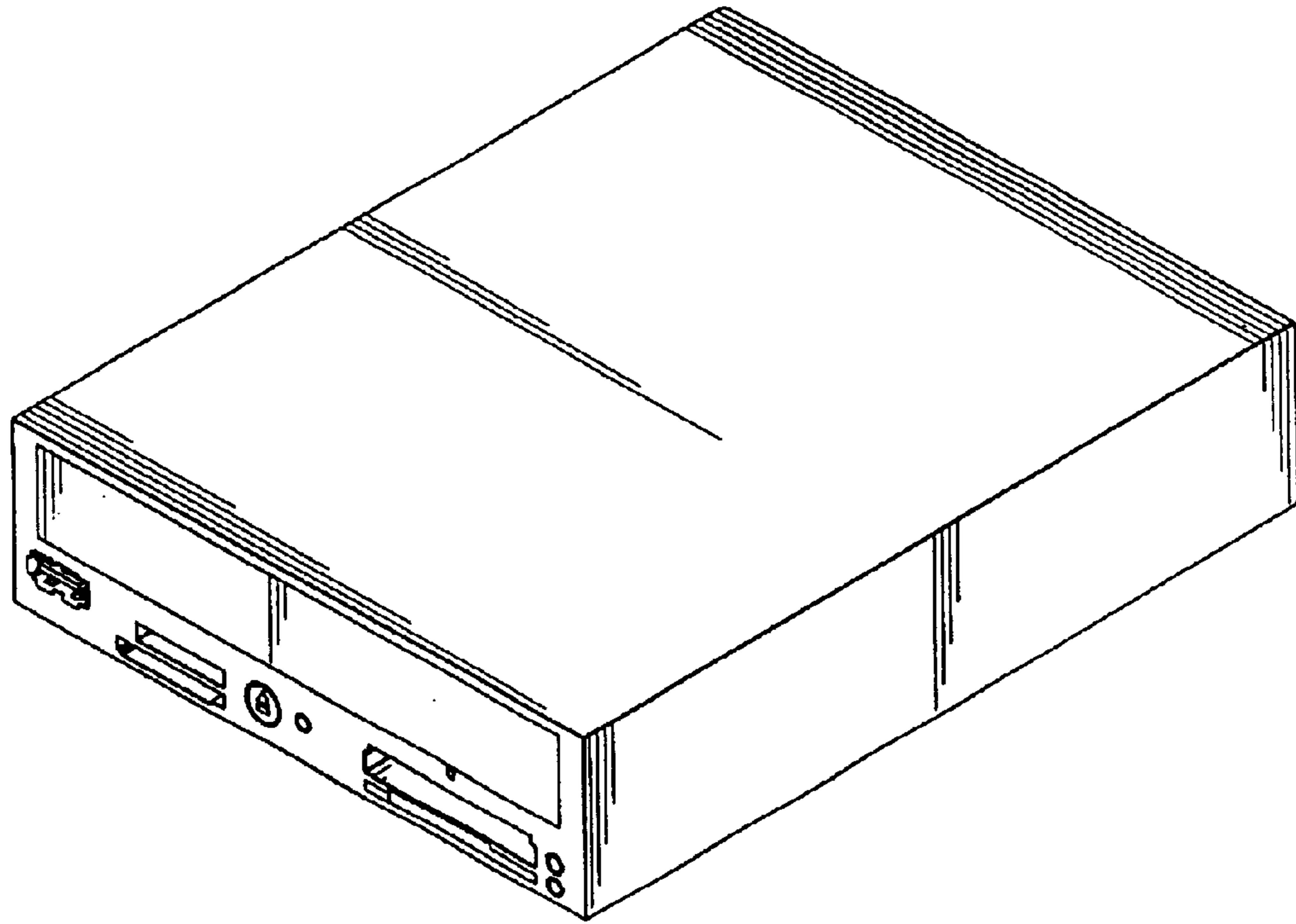


FIG. 1

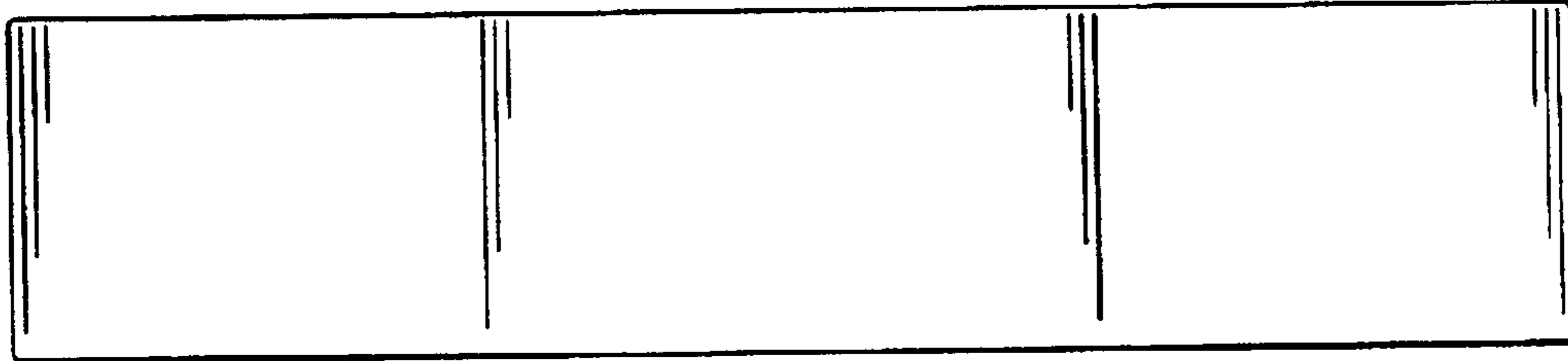


FIG. 2

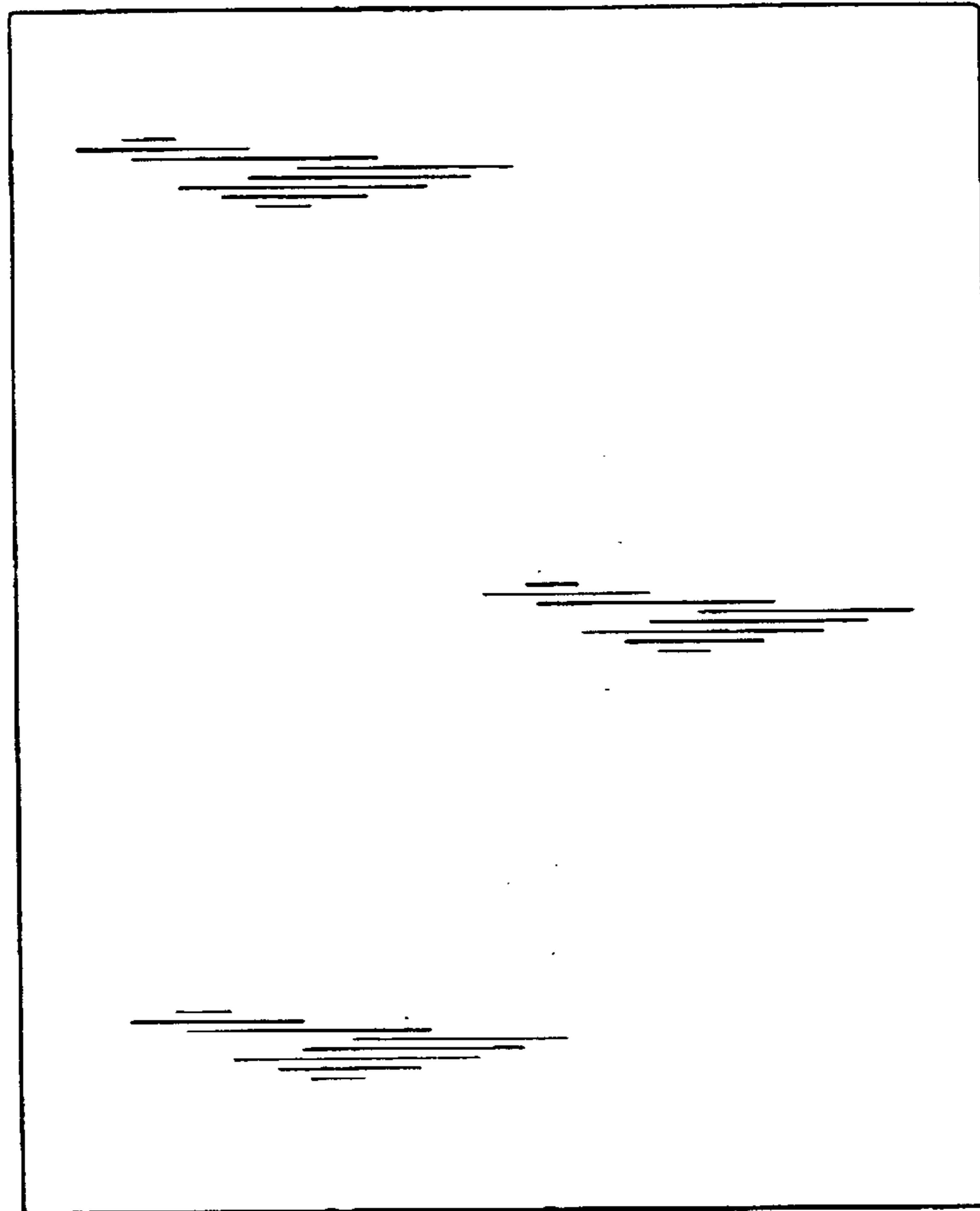


FIG. 3

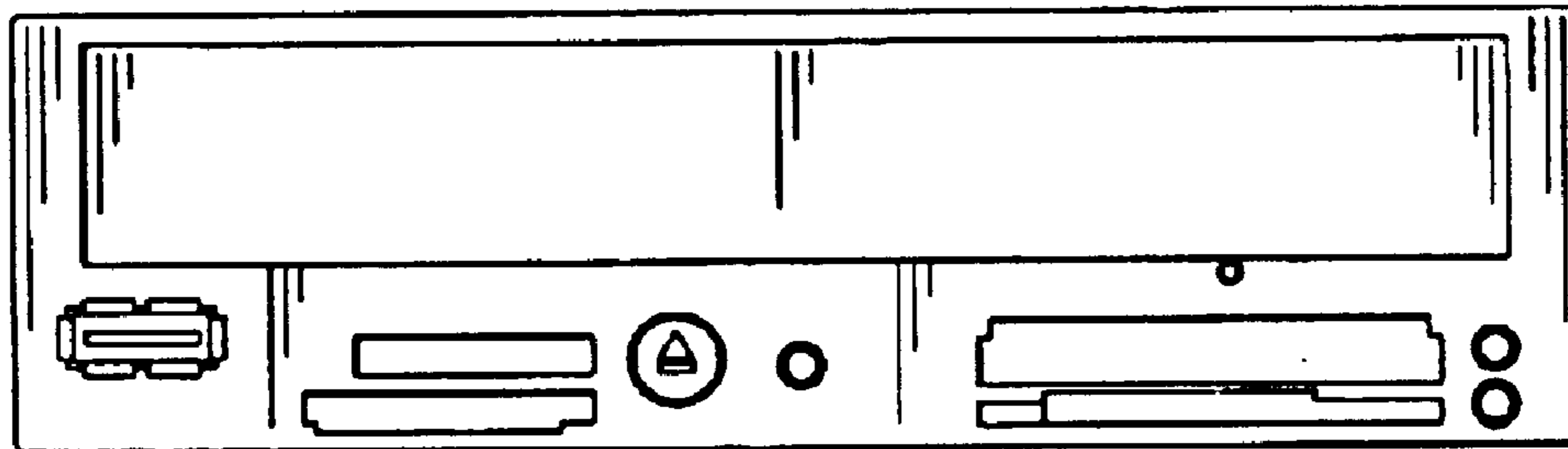


FIG. 4

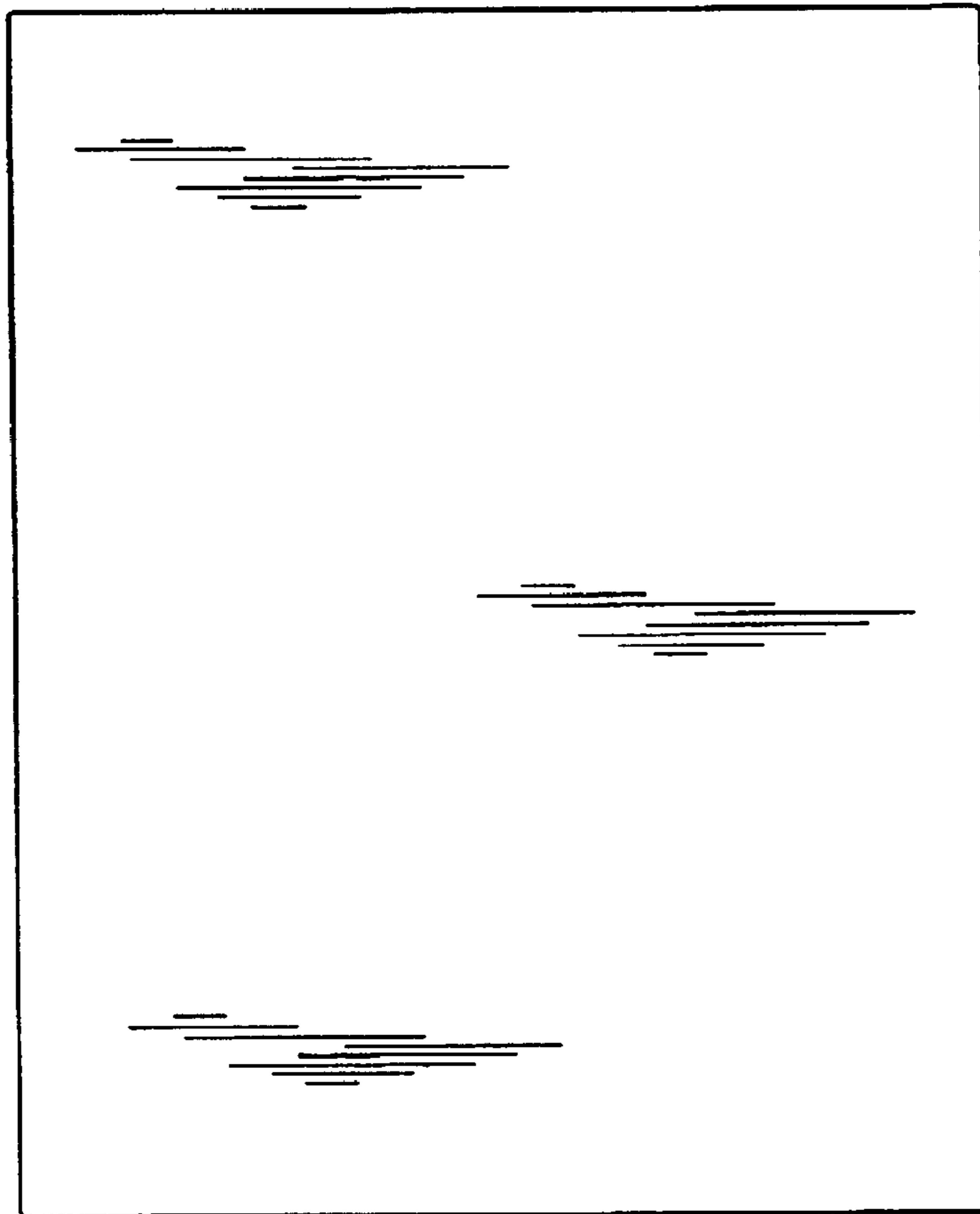


FIG. 5

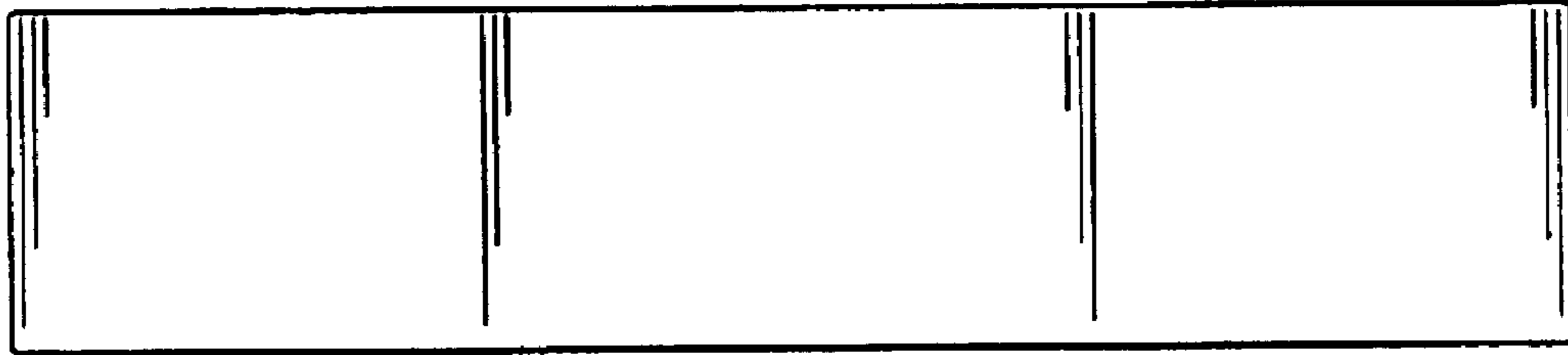


FIG .6

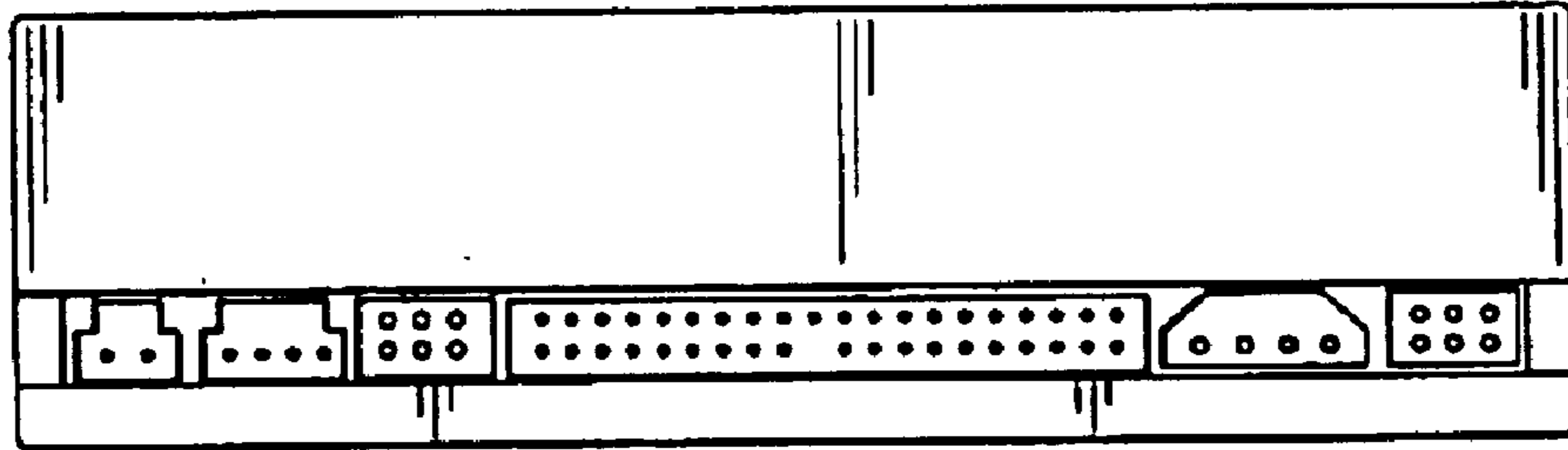


FIG. 7

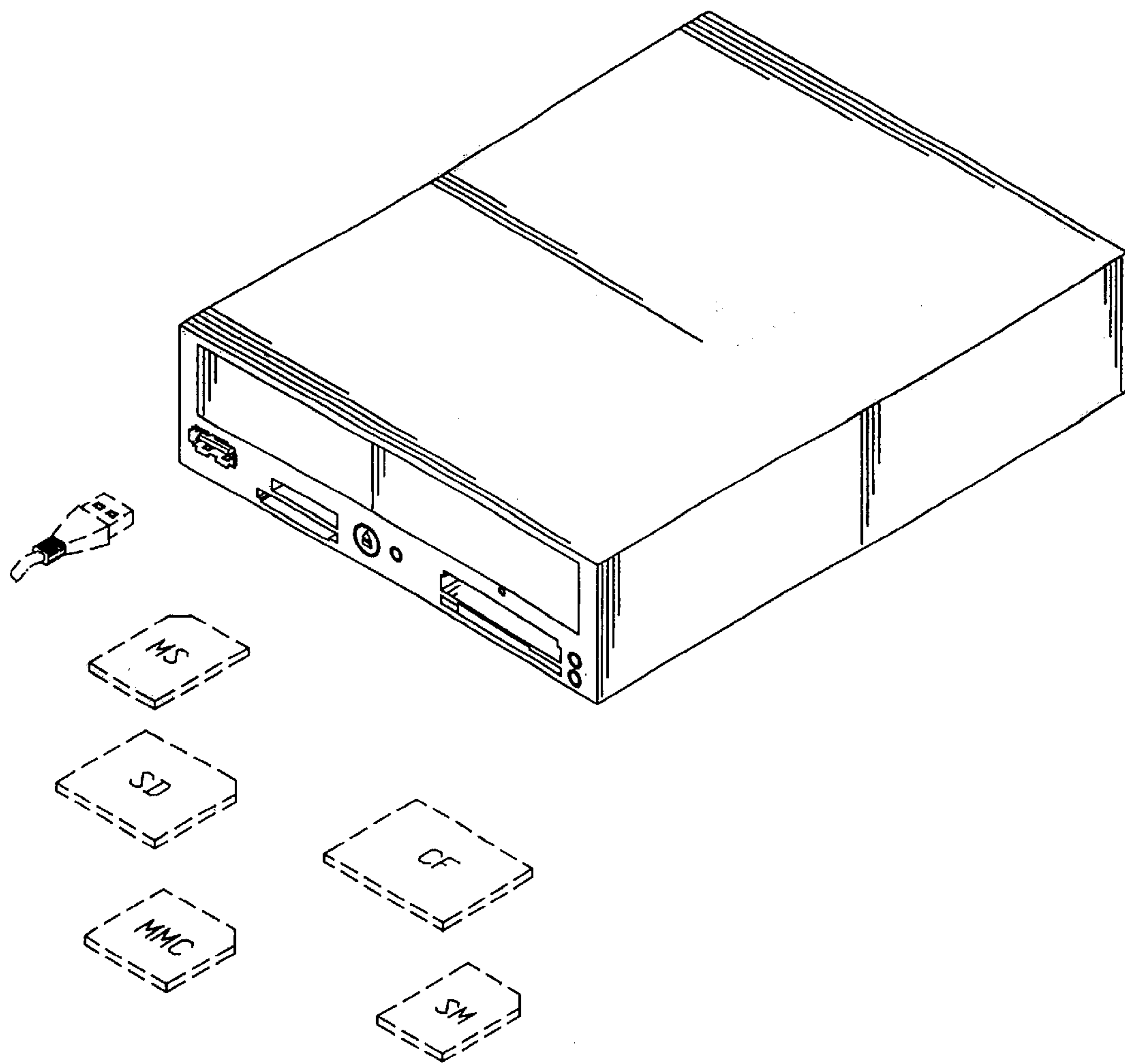


FIG. 8