

US00D493790S1

(12) **United States Design Patent**
Wu

(10) **Patent No.:** **US D493,790 S**

(45) **Date of Patent:** **** Aug. 3, 2004**

(54) **PORTABLE DRIVE**

(75) **Inventor:** **Johnson Wu, Kaohsiung (TW)**

(73) **Assignee:** **Digitfab International Co., Ltd.,
Taipei (TW)**

(**) **Term:** **14 Years**

(21) **Appl. No.:** **29/186,426**

(22) **Filed:** **Jul. 15, 2003**

(51) **LOC (7) Cl.** **14-02**

(52) **U.S. Cl.** **D14/348; 14/363**

(58) **Field of Search** **D14/348, 356,
D14/358, 433, 434; 361/684, 685, 686;
710/62, 74**

(56) **References Cited**

U.S. PATENT DOCUMENTS

D430,882 S	*	9/2000	Tsai	D14/434
6,456,500 B1	*	9/2002	Chen	361/752
D475,996 S	*	6/2003	Skulley	D14/240
D478,888 S	*	8/2003	Ng	D14/156
D479,712 S	*	9/2003	Ng	D14/156

6,612,853 B2	*	9/2003	Wu	439/136
6,639,791 B2	*	10/2003	Su	361/685
D486,806 S	*	2/2004	Takayama et al.	D14/137
D486,807 S	*	2/2004	Takayama et al.	D14/137
2003/0137859 A1	*	7/2003	Sugawara	365/51

* cited by examiner

Primary Examiner—Joel Sincavage

(74) *Attorney, Agent, or Firm*—Merchant & Gould, P.C.

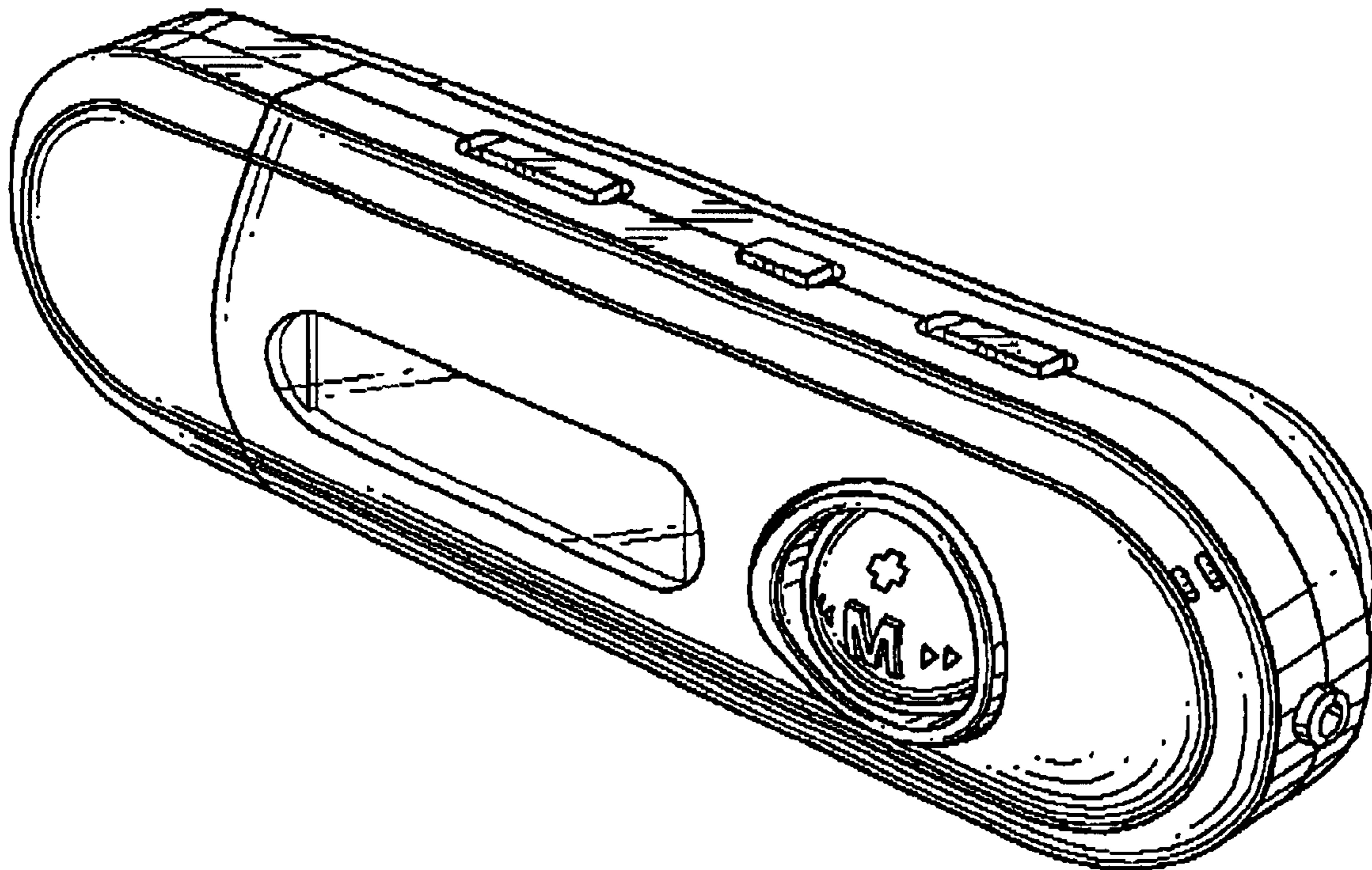
(57) **CLAIM**

The ornamental design for portable drive, as shown and described.

DESCRIPTION

FIG. 1 is a perspective view of portable drive showing my new design;
FIG. 2 is a front elevational view thereof;
FIG. 3 is a rear elevational view thereof;
FIG. 4 is a left side elevational view thereof;
FIG. 5 is a right side elevational view thereof;
FIG. 6 is a top plan view thereof; and,
FIG. 7 is a bottom plan view thereof.

1 Claim, 4 Drawing Sheets



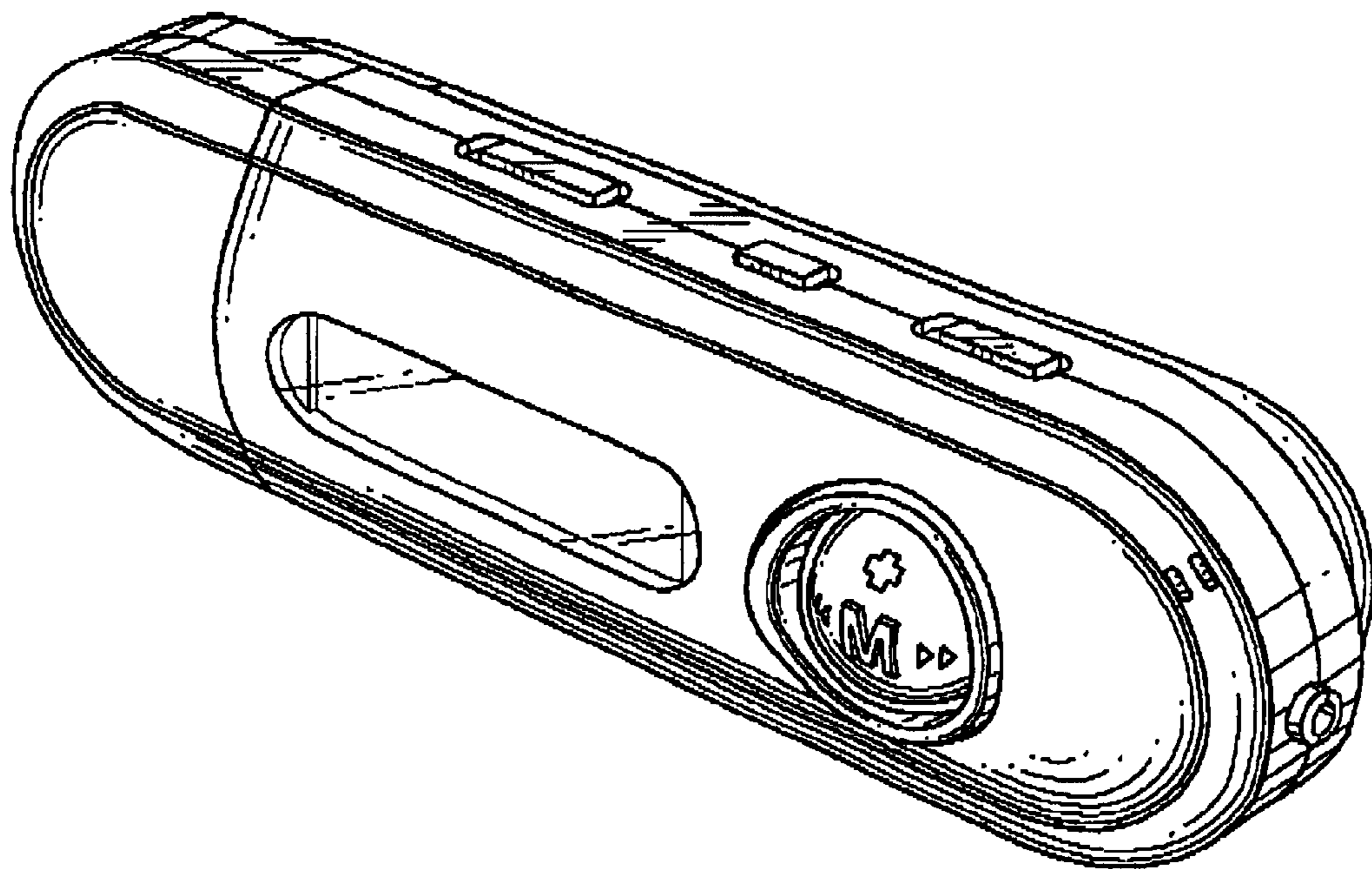


FIG. 1

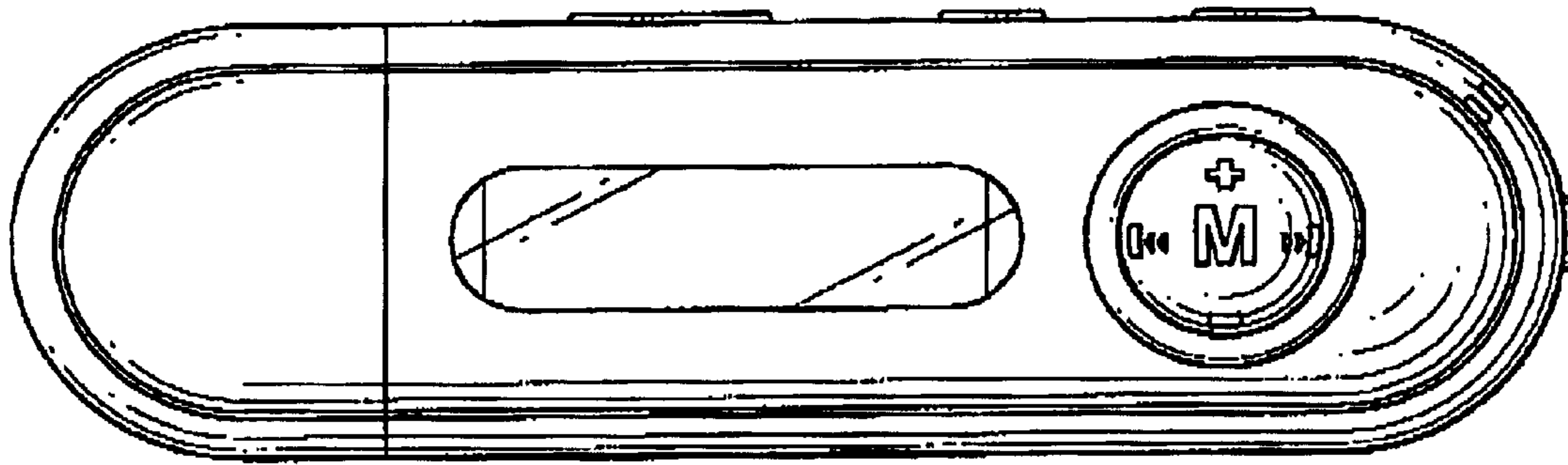


FIG. 2

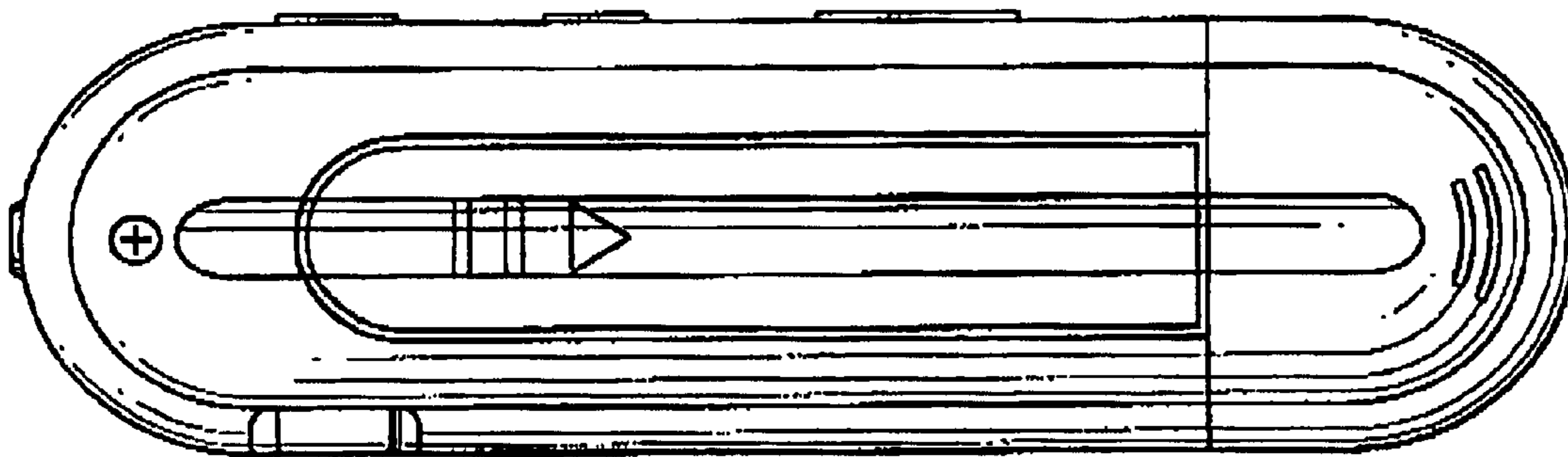


FIG. 3

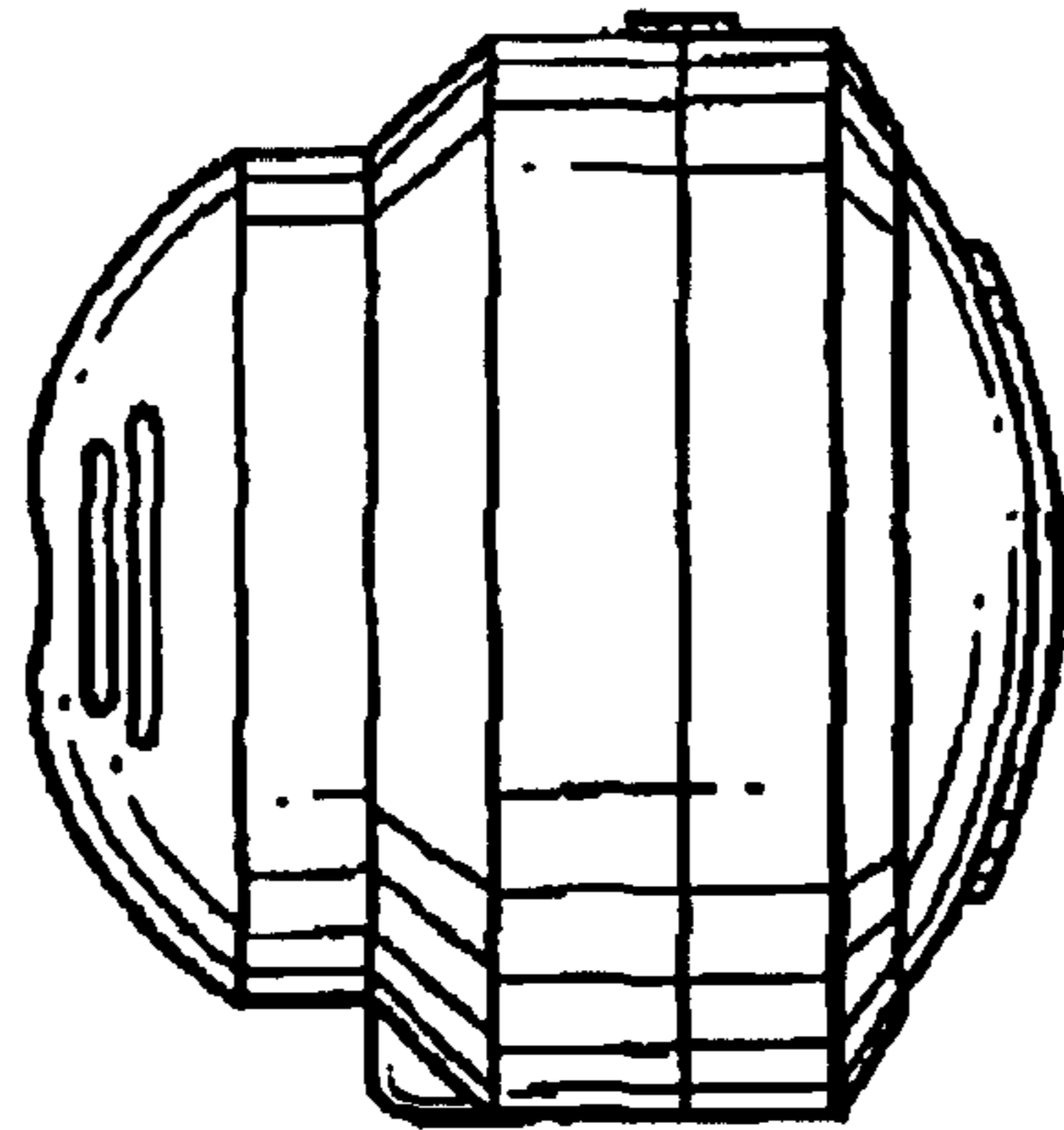


FIG. 4

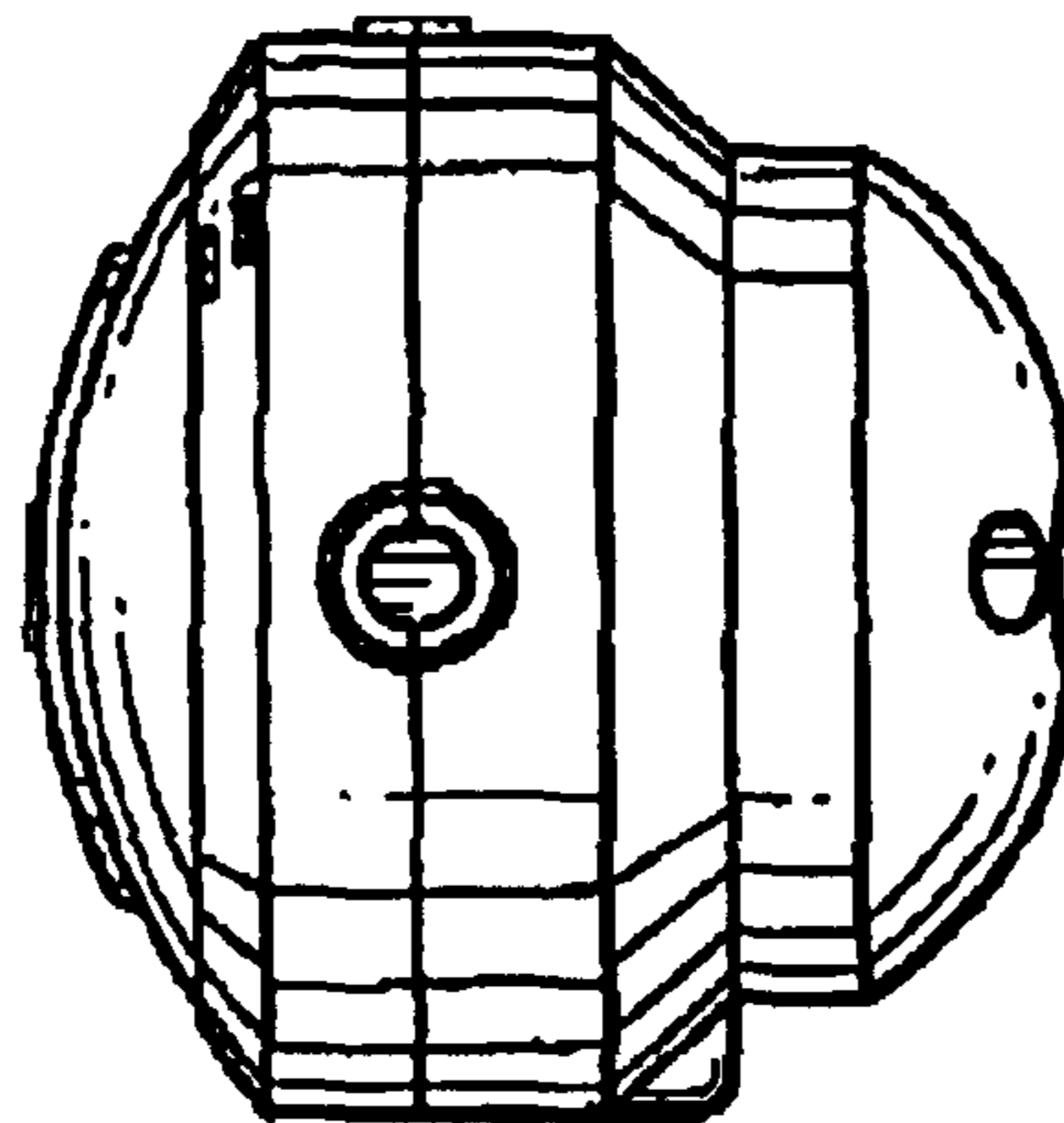


FIG. 5

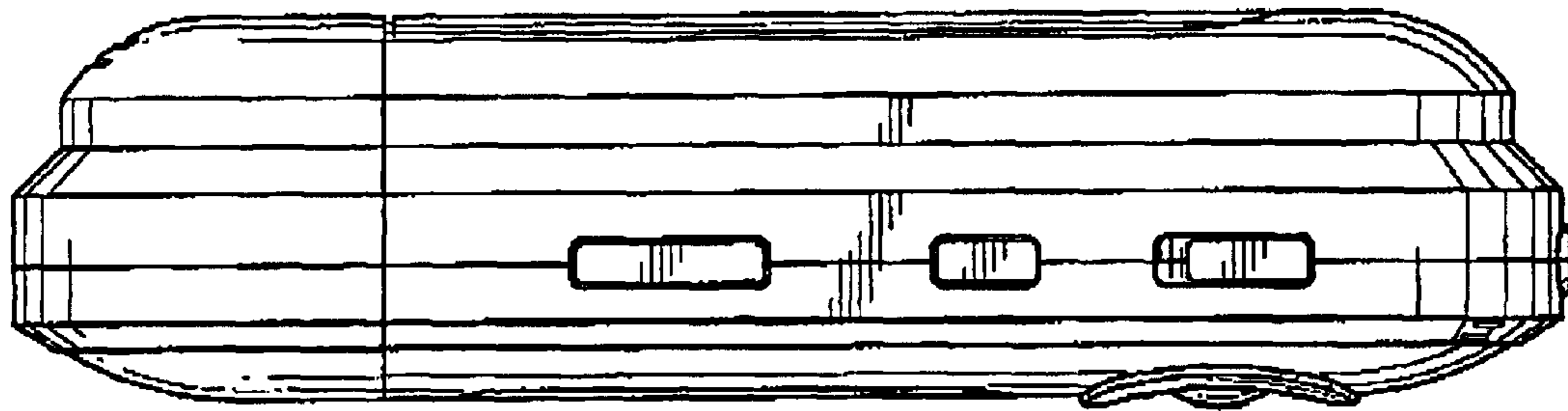


FIG. 6

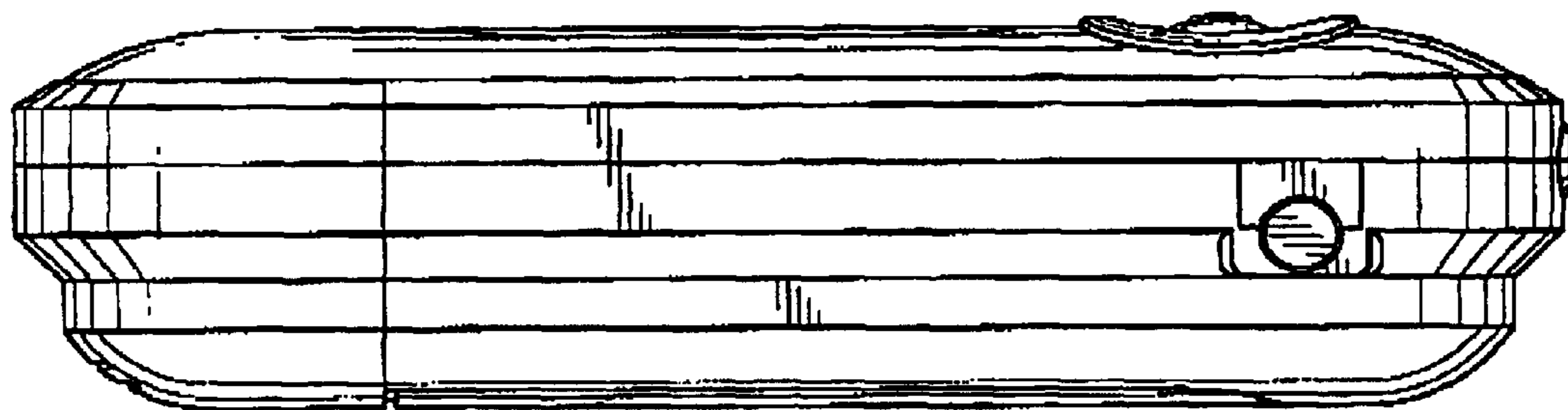


FIG. 7