

US00D493788S1

(12) **United States Design Patent** (10) **Patent No.:** **US D493,788 S**
Ogasawara (45) **Date of Patent:** **** Aug. 3, 2004**

(54) **COMBINED COMPUTER AND DISC RECORDER/PLAYER**

(75) Inventor: **Shinichi Ogasawara**, Tokyo (JP)

(73) Assignee: **Sony Corporation**, Tokyo (JP)

(**) Term: **14 Years**

(21) Appl. No.: **29/187,490**

(22) Filed: **Aug. 4, 2003**

(51) **LOC (7) Cl.** **14-02**

(52) **U.S. Cl.** **D14/345**

(58) **Field of Search** D14/341, 345, D14/346, 315-322; D18/1, 2, 7; 235/145 A, 145 R; 345/104, 156, 168, 169, 173; 341/22, 23; 361/680-686; 400/486, 489

(56) **References Cited**

U.S. PATENT DOCUMENTS

D355,166 S	*	2/1995	Sakaguchi et al.	D14/345
D368,702 S	*	4/1996	Shimizu	D14/345
D408,050 S	*	4/1999	Takahata et al.	D14/345
D436,941 S	*	1/2001	Kataoka	D14/165
D438,538 S		3/2001	Ogasawara		
D443,613 S	*	6/2001	Do et al.	D14/345
D445,107 S	*	7/2001	Kuwahara et al.	D14/345
D462,956 S		9/2002	Ogasawara		

OTHER PUBLICATIONS

Web page “CLIE PEG-NR70V” <http://www.sony.jp/products/Consumer/PEG/PEG-NR70V>, 1 sheet, Sony (May 2003).

Web page “IC-7100” <http://www.sony.jp/products/Consumer/DD/IC7100/index.html>, 1 sheet, Sony (May 2003).

Web page “J-PHONE Sky e Pad-S” <http://www.8.yodobashi.com/enjoy/i.jsp?oid=167558>, 1 sheet, Yodobashi Camera (May 2003).

Web page “KX-FE830” <http://www8.yodobashi.com/enjoy/i.jsp?oid=23210>, 1 sheet, Yodobashi Camera (May 2003).

Web page “SL-C760” <http://www8.yodobashi.com/enjoy/i.jsp?oid=9358448>, 1 sheet, Yodobashi Camera (May 2003).

* cited by examiner

Primary Examiner—Freda S. Nunn

(74) *Attorney, Agent, or Firm*—Rader, Fishman & Grauer PLLC

(57) **CLAIM**

The ornamental design for a combined computer and disc recorder/player, as shown and described.

DESCRIPTION

FIG. 1 is a perspective view of a combined computer and disc recorder/player showing my new design;

FIG. 2 is a front elevational view thereof;

FIG. 3 is a left side elevational view thereof; and,

FIG. 4 is a right side elevational view thereof.

Portions in broken lines in FIGS. 1-4 are for illustrative purpose only and form no part of the claimed design.

1 Claim, 3 Drawing Sheets

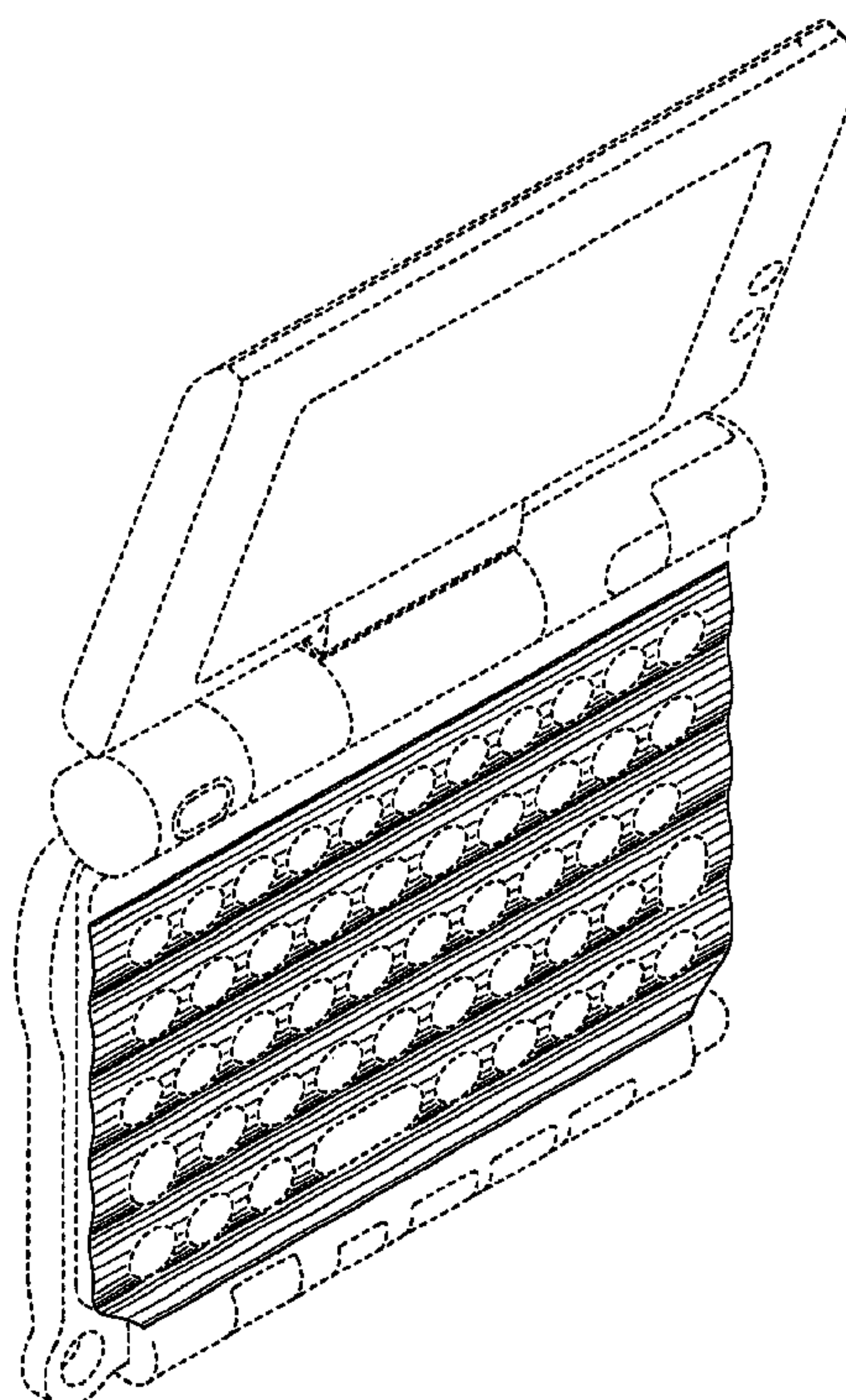
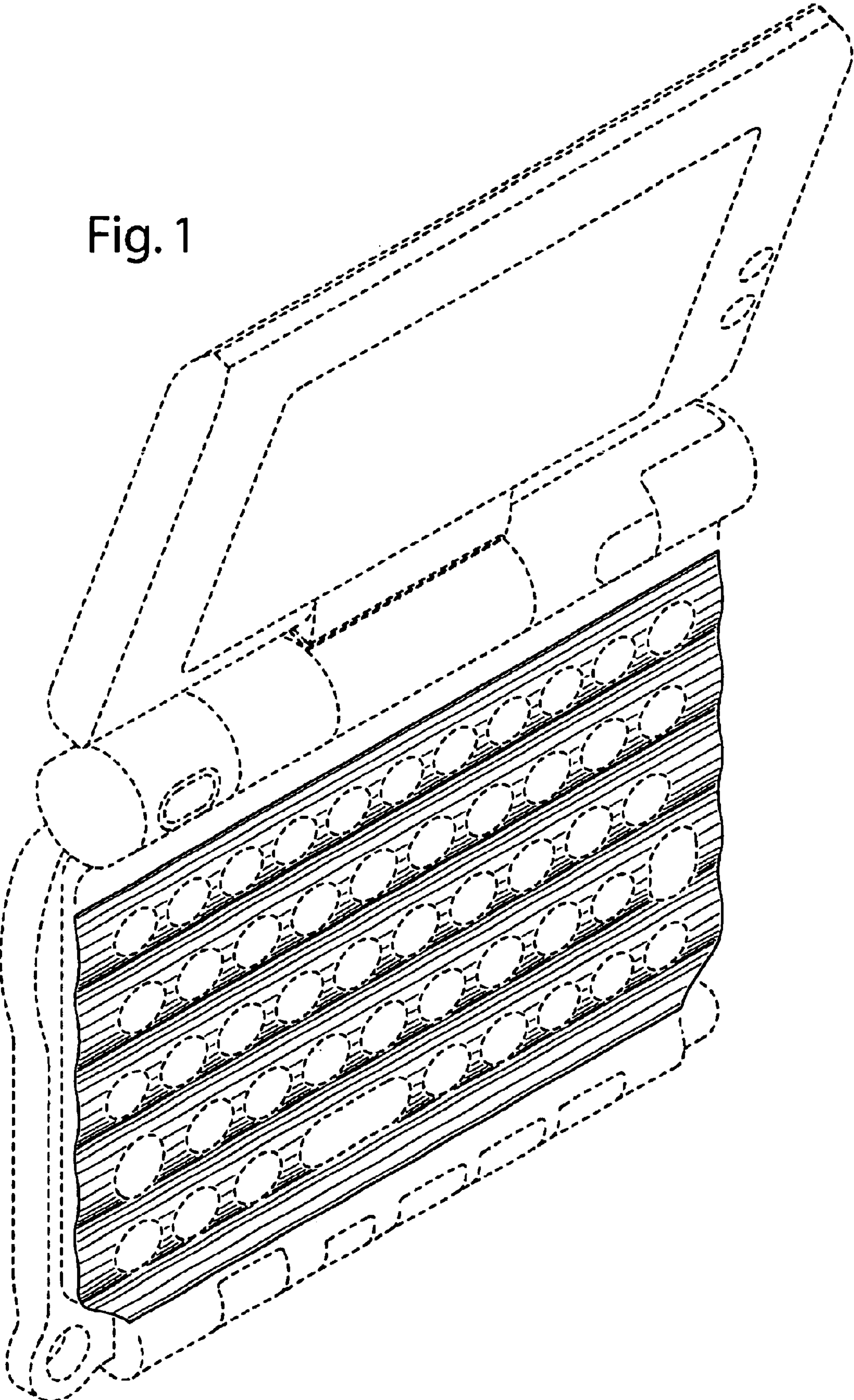


Fig. 1



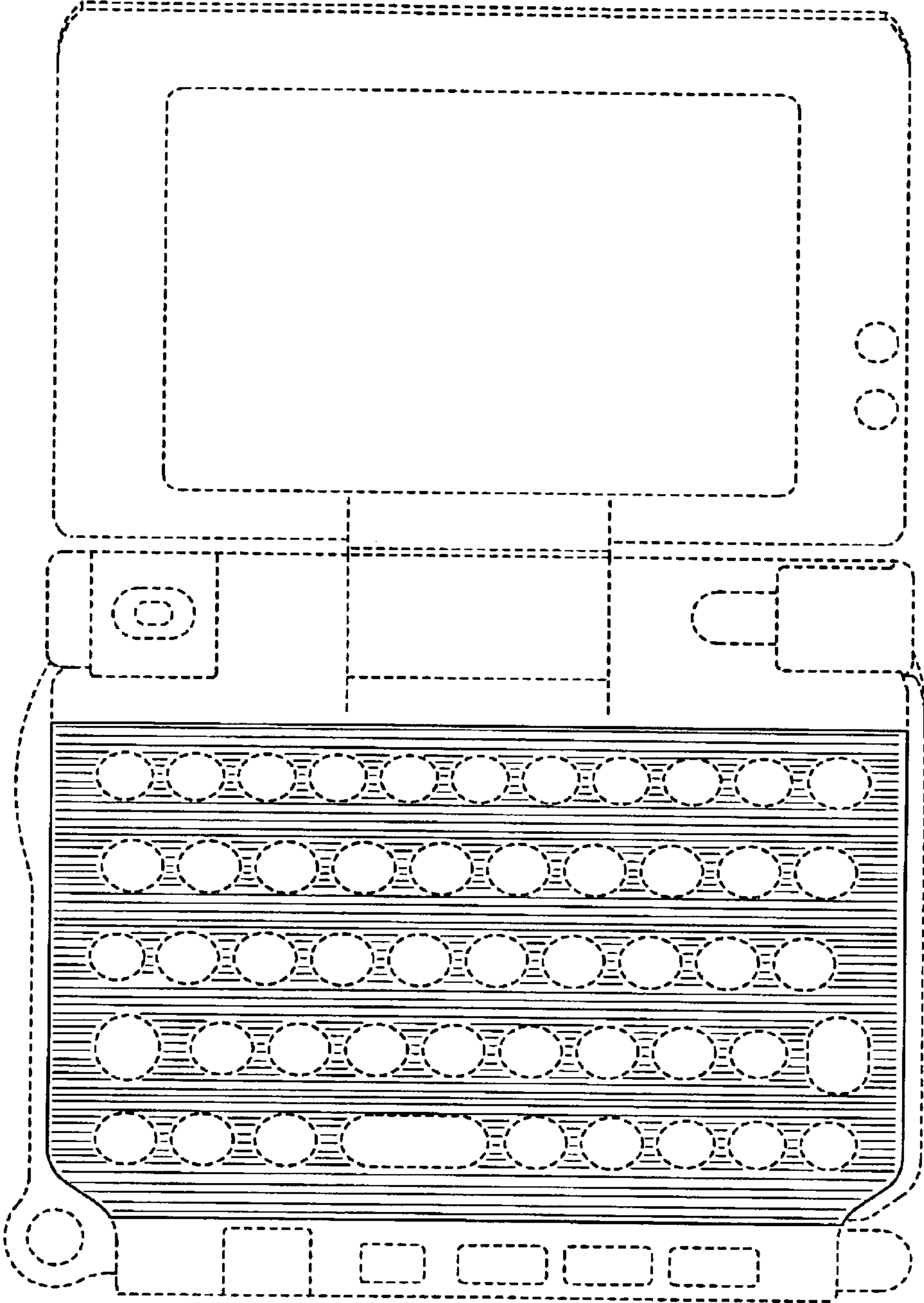


Fig. 2

Fig. 3

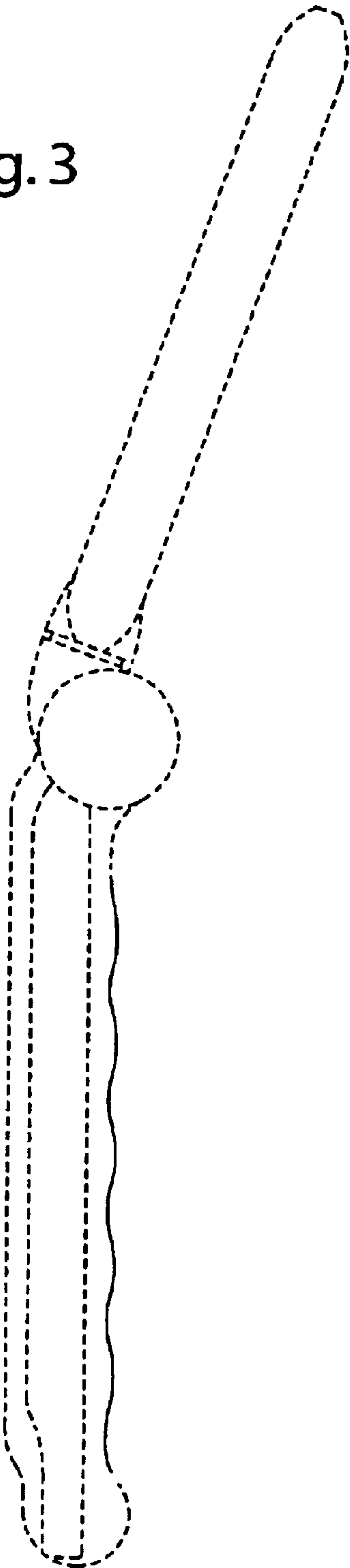


Fig. 4

