

US00D493783S1

(12) **United States Design Patent**
Pietras et al.

(10) **Patent No.:** **US D493,783 S**

(45) **Date of Patent:** **** Aug. 3, 2004**

(54) **RADIO FACEPLATE**

D389,841 S * 1/1998 Tokiyama et al. D14/258
5,862,468 A * 1/1999 Kim 369/75.1
D470,484 S * 2/2003 Storti et al. D14/257

(75) Inventors: **David J Pietras**, Macomb, MI (US); **A. Majeed Kadi**, West Bloomfield, MI (US); **Nabil M Issa**, Novi, MI (US)

* cited by examiner

(73) Assignee: **DaimlerChrysler Corporation**, Auburn Hills, MI (US)

Primary Examiner—Nanda Bondade

(74) *Attorney, Agent, or Firm*—Ralph E. Smith

(**) Term: **14 Years**

(57) **CLAIM**

The ornamental design for a radio faceplate, as shown and described.

(21) Appl. No.: **29/193,215**

(22) Filed: **Nov. 5, 2003**

DESCRIPTION

(51) **LOC (7) Cl.** **14-01**

FIG. 1 is a front perspective view of a radio faceplate showing our new design;

(52) **U.S. Cl.** **D14/257**

FIG. 2 is a front view thereof;

(58) **Field of Search** D14/135–136,

FIG. 3 is a top view thereof;

D14/160–168, 188, 197–198, 156–157,

FIG. 4 is a bottom view thereof;

257, 258; 455/100, 344, 347–351; 369/75.1,

FIG. 5 is a left side view thereof; and,

75.2, 77.2

FIG. 6 is a right side view thereof.

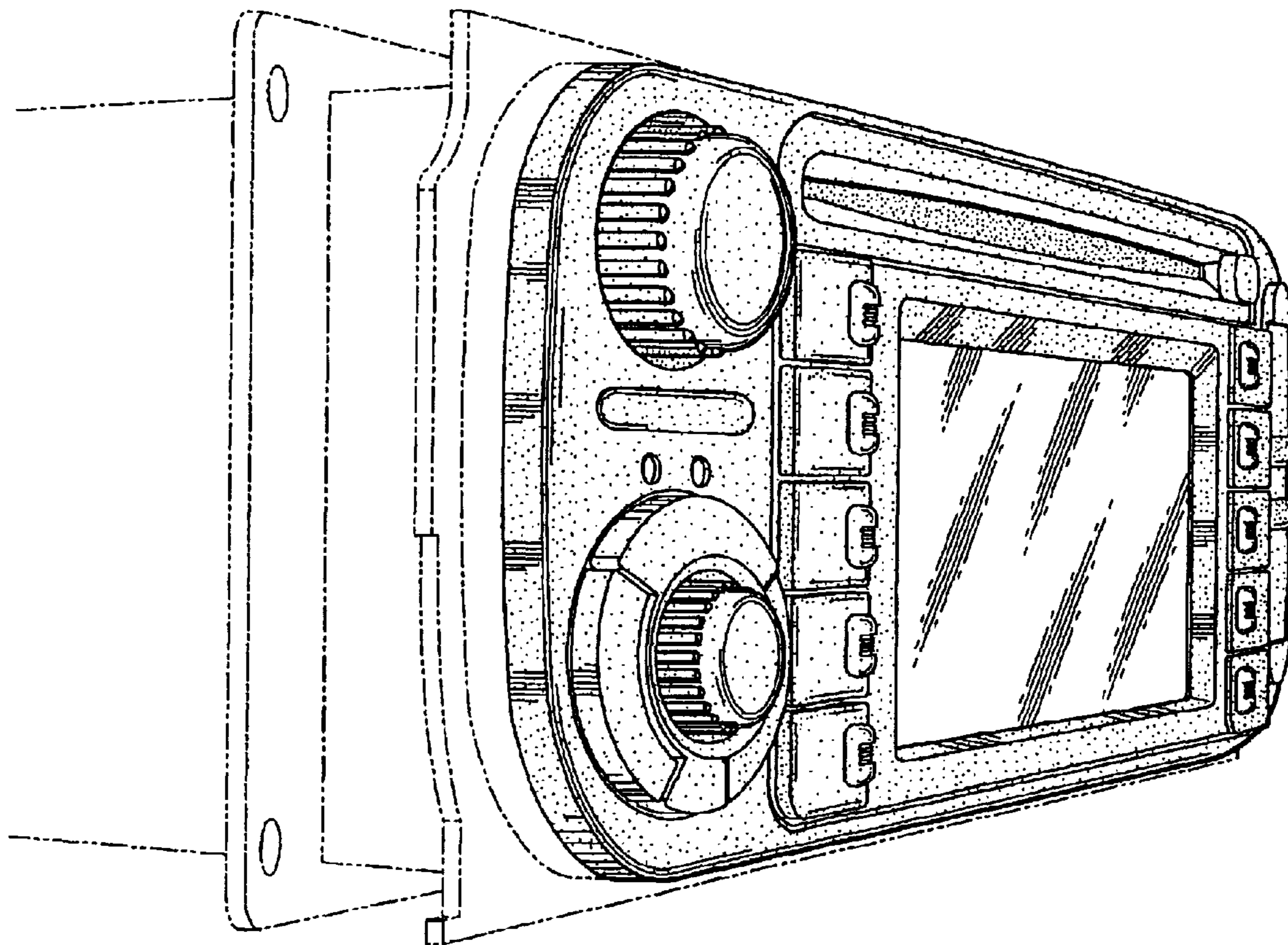
It will be understood that the dashed lines presented in the drawings are for illustration only, and do not form a part of the claimed design.

(56) **References Cited**

U.S. PATENT DOCUMENTS

D330,204 S * 10/1992 Tokiyama D14/258

1 Claim, 6 Drawing Sheets



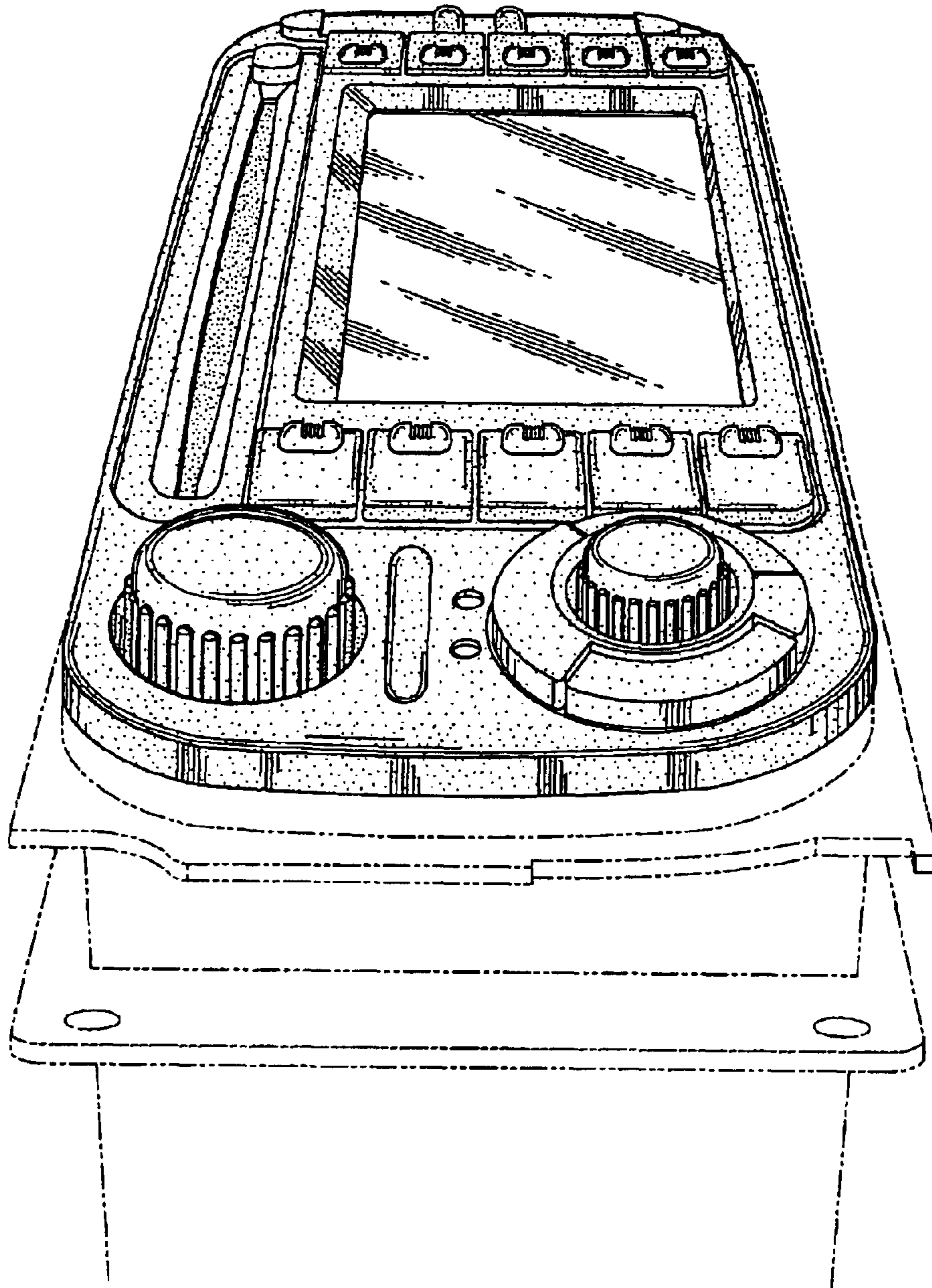


Fig. 1

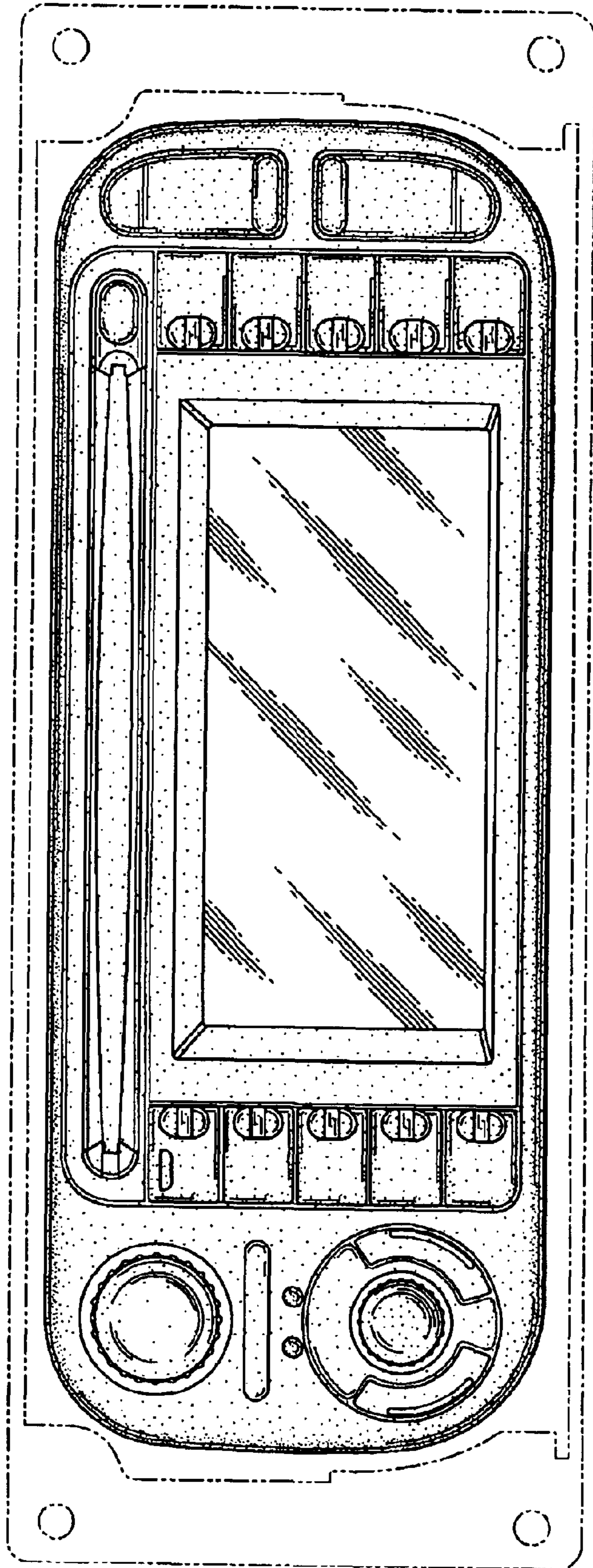


Fig. 2

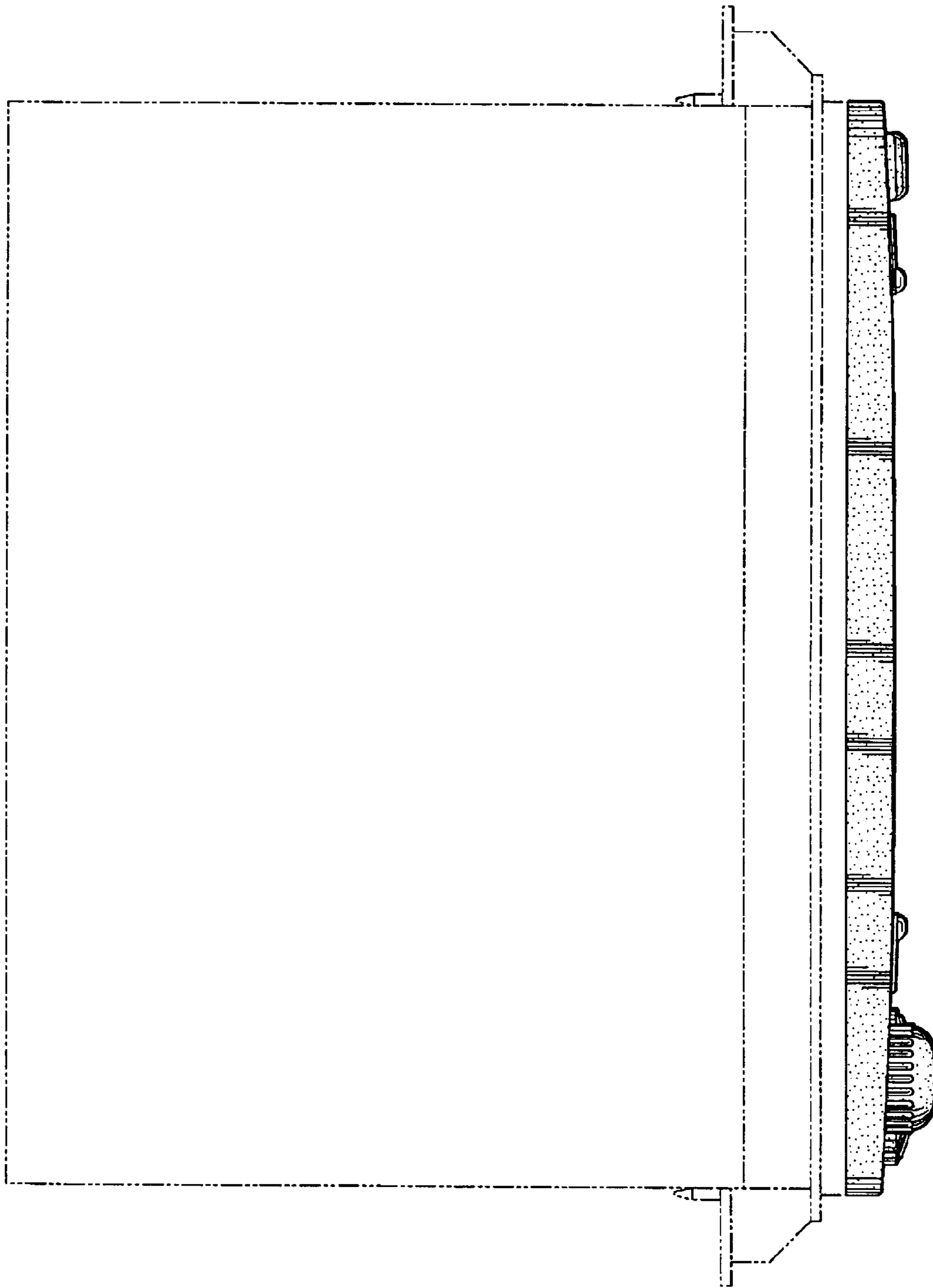
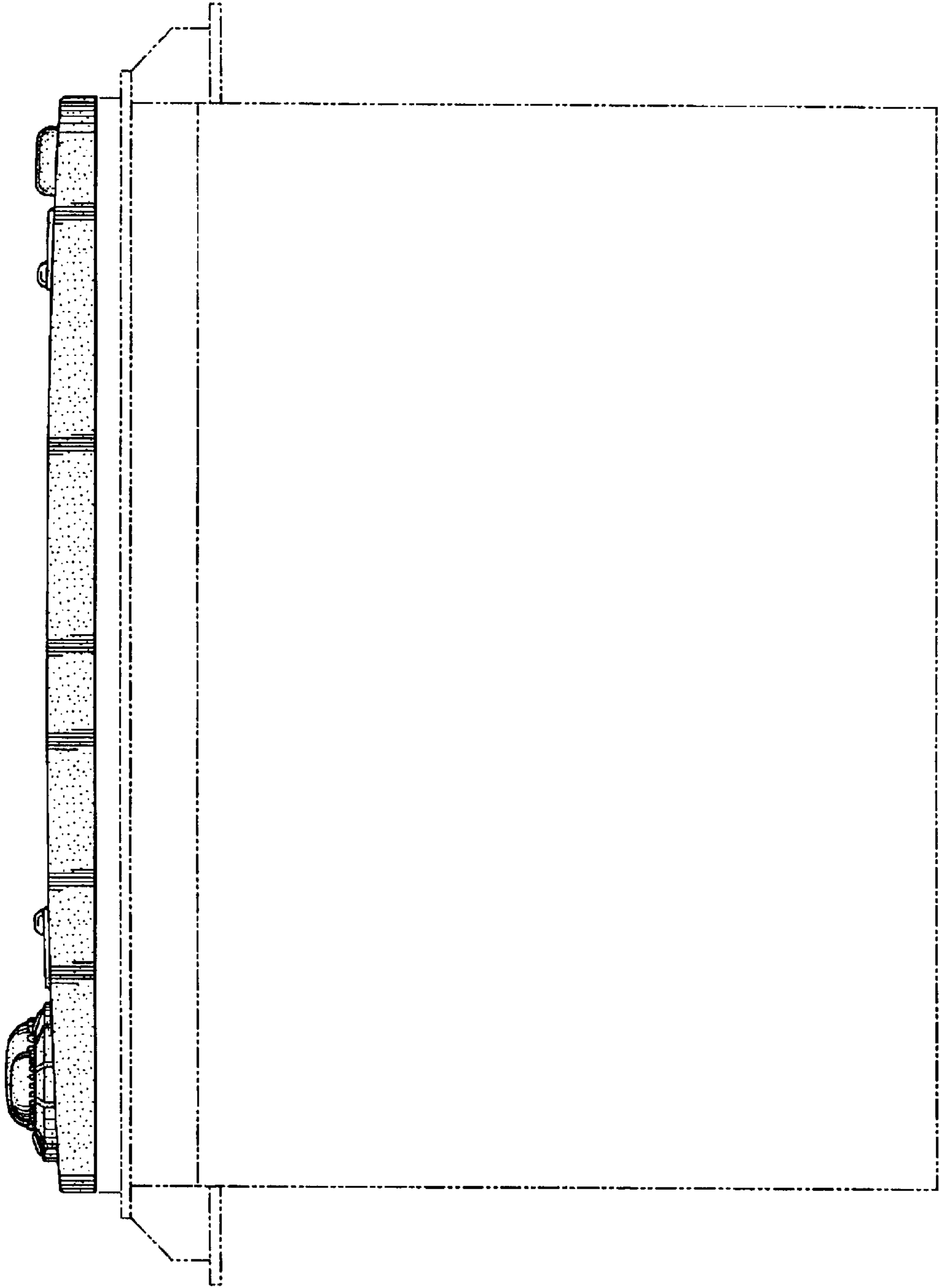


Fig. 3

Fig. 4



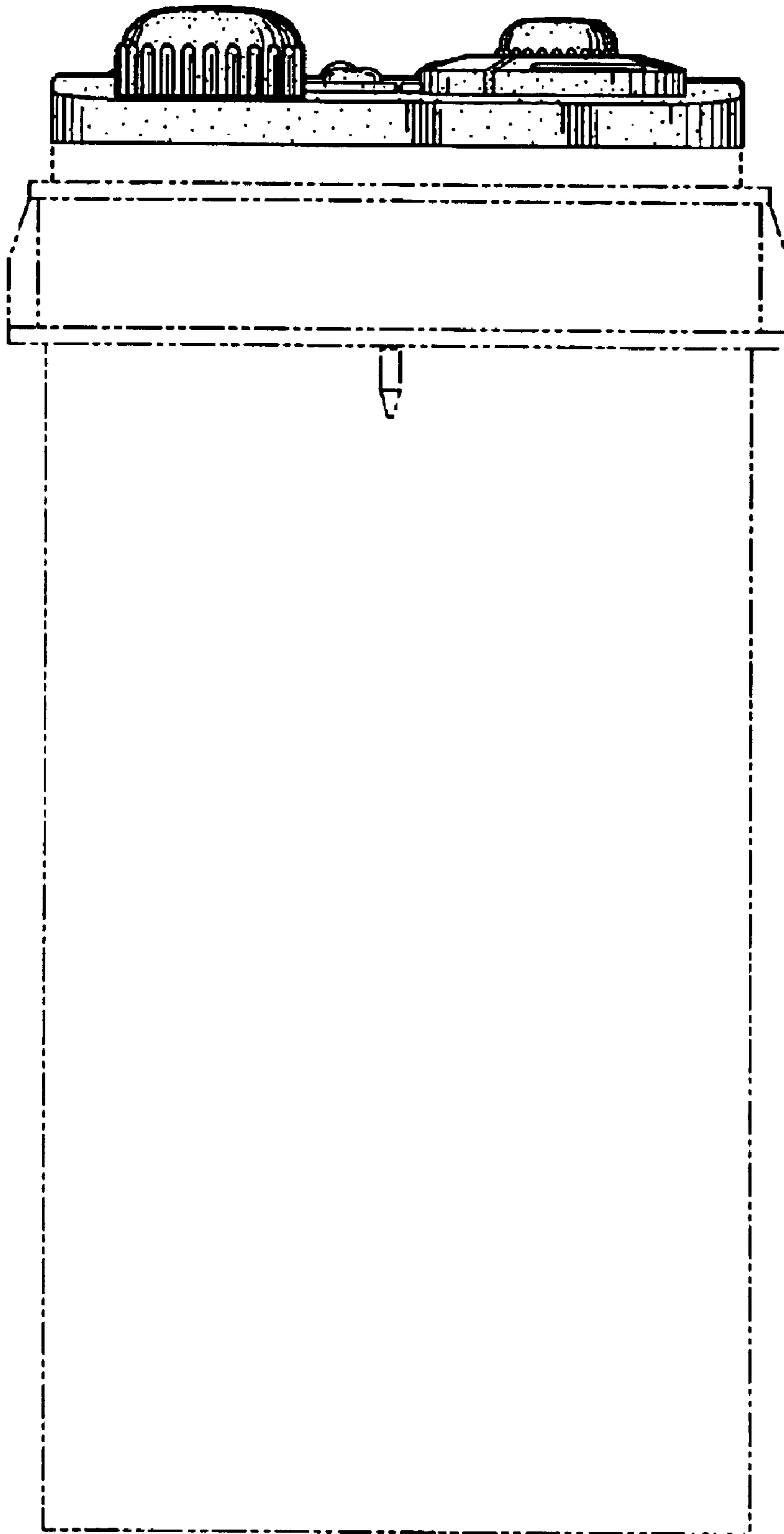


Fig. 5

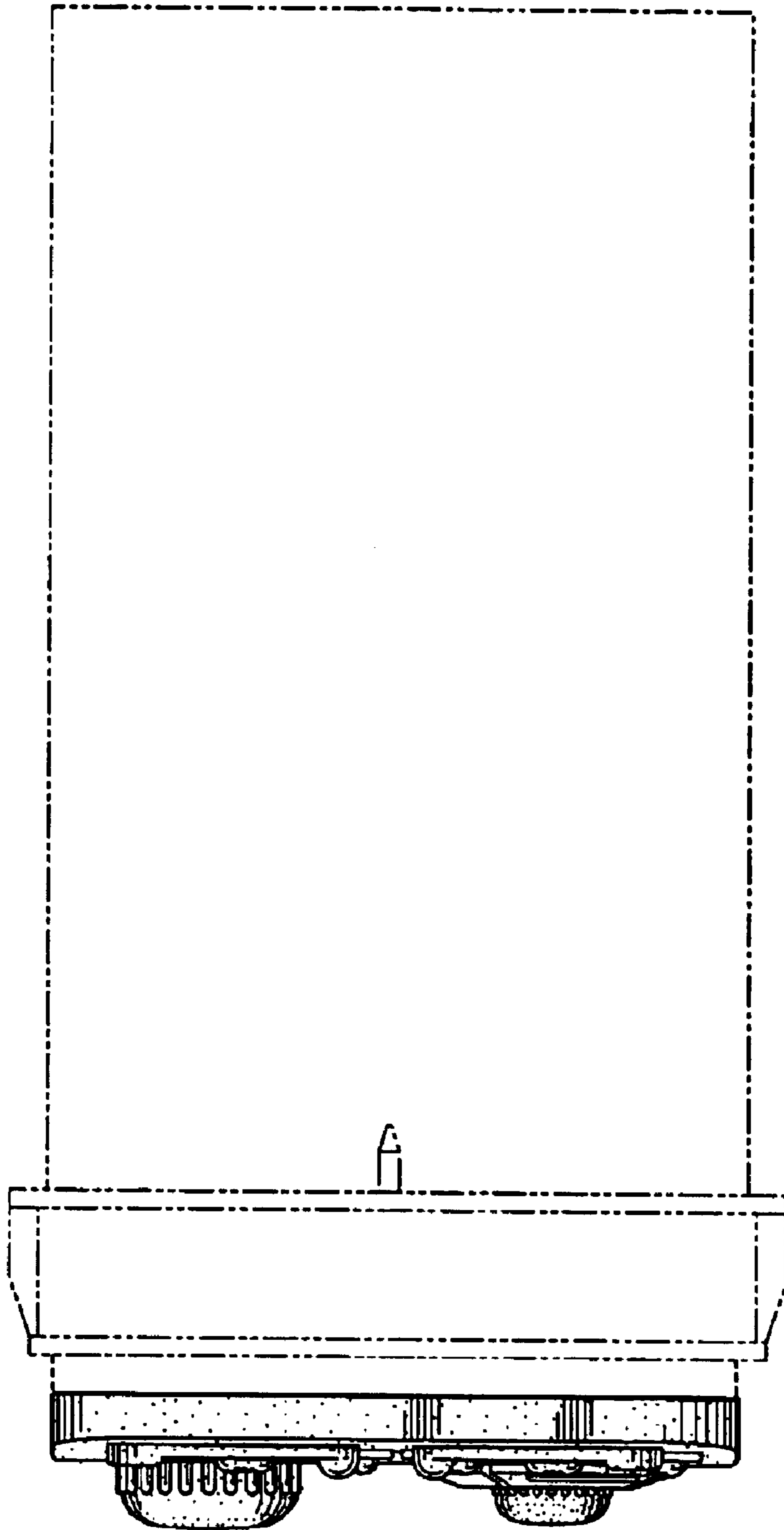


Fig. 6